

US00D969477S

(12) **United States Design Patent**
Chen

(10) **Patent No.:** **US D969,477 S**

(45) **Date of Patent:** **** Nov. 15, 2022**

(54) **PILL BOX**

(71) Applicant: **Changsha Yuwen Network
Technology Co., Ltd.,** Changsha (CN)

(72) Inventor: **Junyuan Chen,** Changsha (CN)

(73) Assignee: **HAIKOU LILI INVESTMENT CO.,
LTD.,** Haikou (CN)

(**) Term: **15 Years**

(21) Appl. No.: **29/756,117**

(22) Filed: **Oct. 26, 2020**

(51) **LOC (13) Cl.** **03-01**

(52) **U.S. Cl.**
USPC **D3/203.2; D9/420; D9/430**

(58) **Field of Classification Search**
USPC D3/203.1, 203.2, 203.3, 201, 203.4,
D3/203.5, 203.6, 203.7, 203.8, 272, 273,
D3/901-905, 302, 276, 294, 295, 298;
D24/224; D6/515, 634; D9/420-424,
D9/529, 756, 757, 759, 449, 560, 430;
D99/28; D14/214, 314; D7/615, 629,
D7/591; D27/186; D13/108; D19/76
CPC A61J 1/00; A61J 7/04; B65D 43/20; B65D
50/04; B65D 83/04; A47F 3/0404
See application file for complete search history.

(56) **References Cited**

U.S. PATENT DOCUMENTS

D281,464 S	*	11/1985	Drake	D6/634
D288,938 S	*	3/1987	Klodt	D19/76
D293,279 S	*	12/1987	Evans	D6/634
D407,973 S	*	4/1999	Miller	D9/423
D473,789 S	*	4/2003	Crawford	D9/430
D587,898 S	*	3/2009	Cetera	D3/203.2
D642,928 S	*	8/2011	Lundin	D9/449

(Continued)

FOREIGN PATENT DOCUMENTS

CN	301002961	*	9/2009
CN	304050302	*	2/2017

OTHER PUBLICATIONS

Amazon.co.uk, Site visited Aug. 8, 2022, Safe and Sound 7 Day Pill Box, First Available Apr. 29, 2008, <https://www.amazon.co.uk/Safe-Sound-Detachable-Compartments-Push-open/dp/B0018LKQ00> (Year: 2008).*

(Continued)

Primary Examiner — Brett Miller
Assistant Examiner — Jessica M Gebhart
(74) *Attorney, Agent, or Firm* — IPRO, PLLC

(57) **CLAIM**

The ornamental design for a pill box, as shown and described.

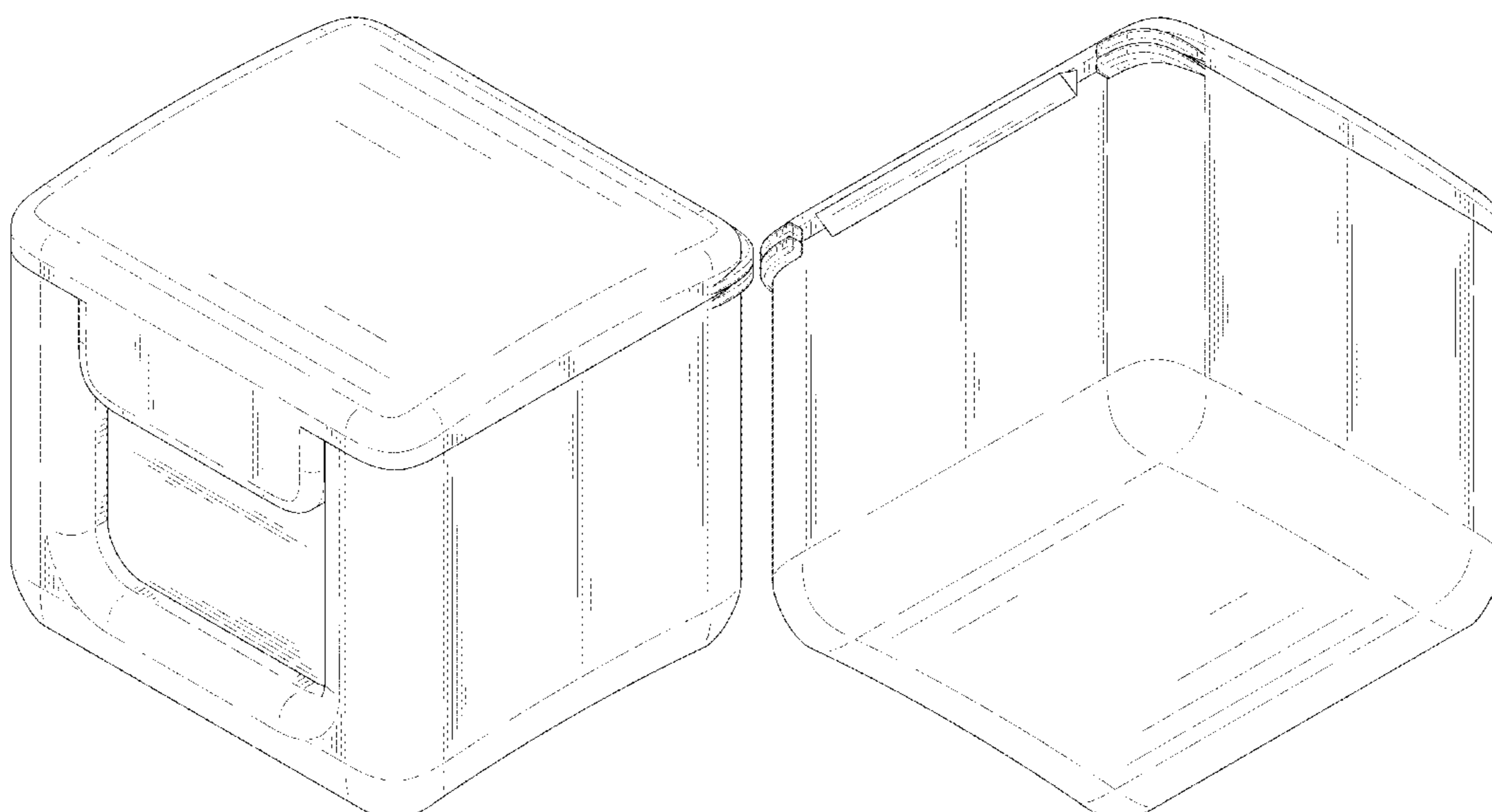
DESCRIPTION

FIG. 1 is a front and right side perspective view of an ornamental design for a pill box showing my new design; FIG. 2 is a rear and left side perspective view of the pill box; FIG. 3 is a front view of the pill box; FIG. 4 is a rear view of the pill box; FIG. 5 is a left side view of the pill box; FIG. 6 is a right side view of the pill box; FIG. 7 is a top view of the pill box; FIG. 8 is a bottom view of the pill box; and, FIG. 9 is a front and right side perspective view of the pill box in its open state.

The broken lines immediately adjacent the shaded areas represent the bounds of the claimed design while all other broken lines are directed to environment and are for illustrative purposes only; the broken lines form no part of the claimed design.

Any shading and cross-hatching are not features of the design but are utilized to illustrate the surface contours of the pill box in the drawings.

1 Claim, 9 Drawing Sheets



(56)

References Cited

U.S. PATENT DOCUMENTS

D748,468 S * 2/2016 Angeloni D9/420
D790,335 S * 6/2017 Honings D9/432
D823,246 S * 7/2018 Lin D13/108
D859,084 S * 9/2019 Lee D7/591
D877,489 S * 3/2020 Lee D3/203.2
D878,913 S * 3/2020 Castellanos D9/560
2013/0140212 A1 * 6/2013 Boisseau A61J 1/14
206/528

OTHER PUBLICATIONS

Amazon.co.uk, Site visited Aug. 8, 2022, MEDca Monthly Pill Organizer with removable medication pods, First available Sep. 17, 2017, <https://www.amazon.co.uk/dp/B074WB9LR6> (Year: 2017).*

* cited by examiner

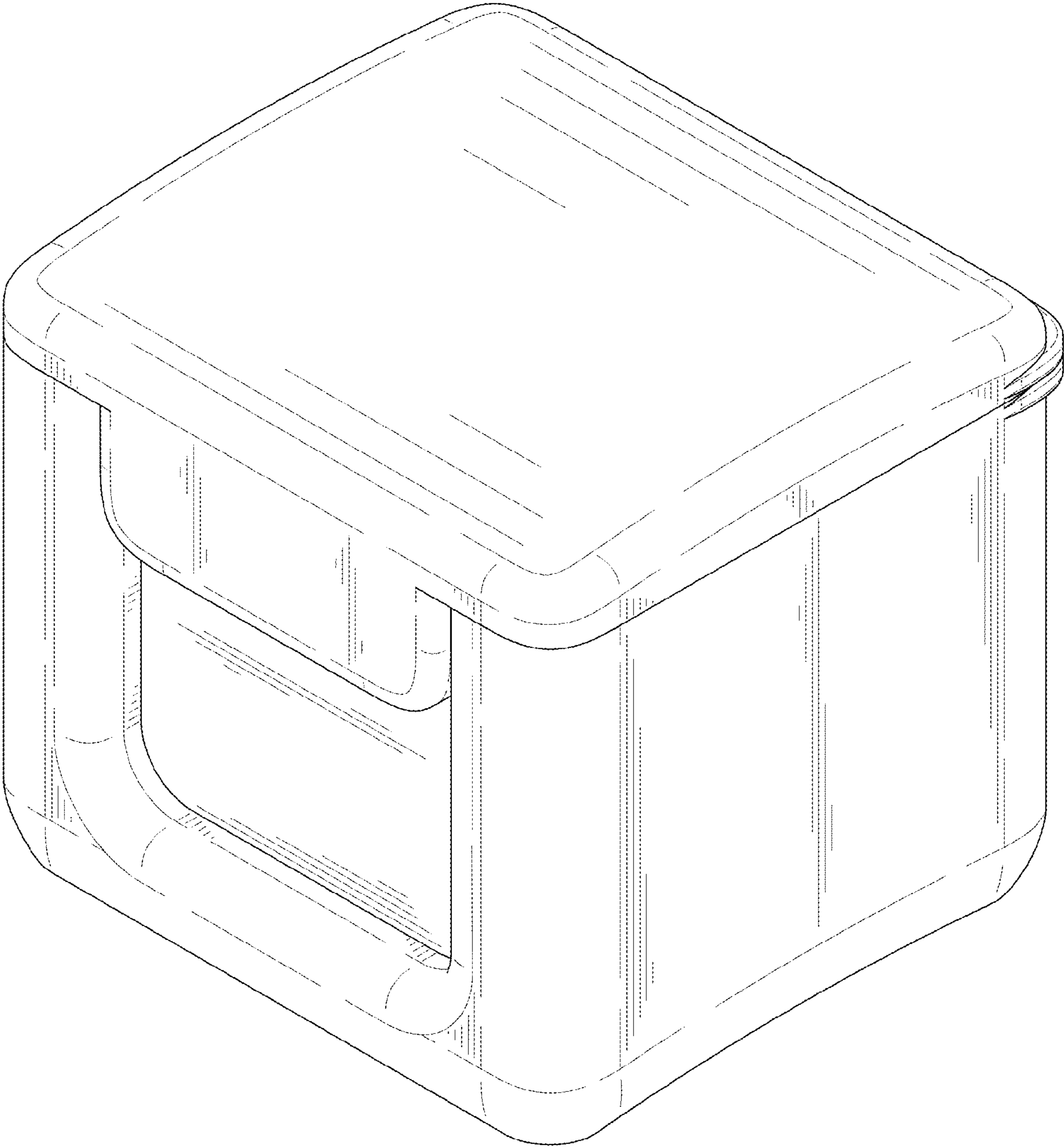


FIG. 1

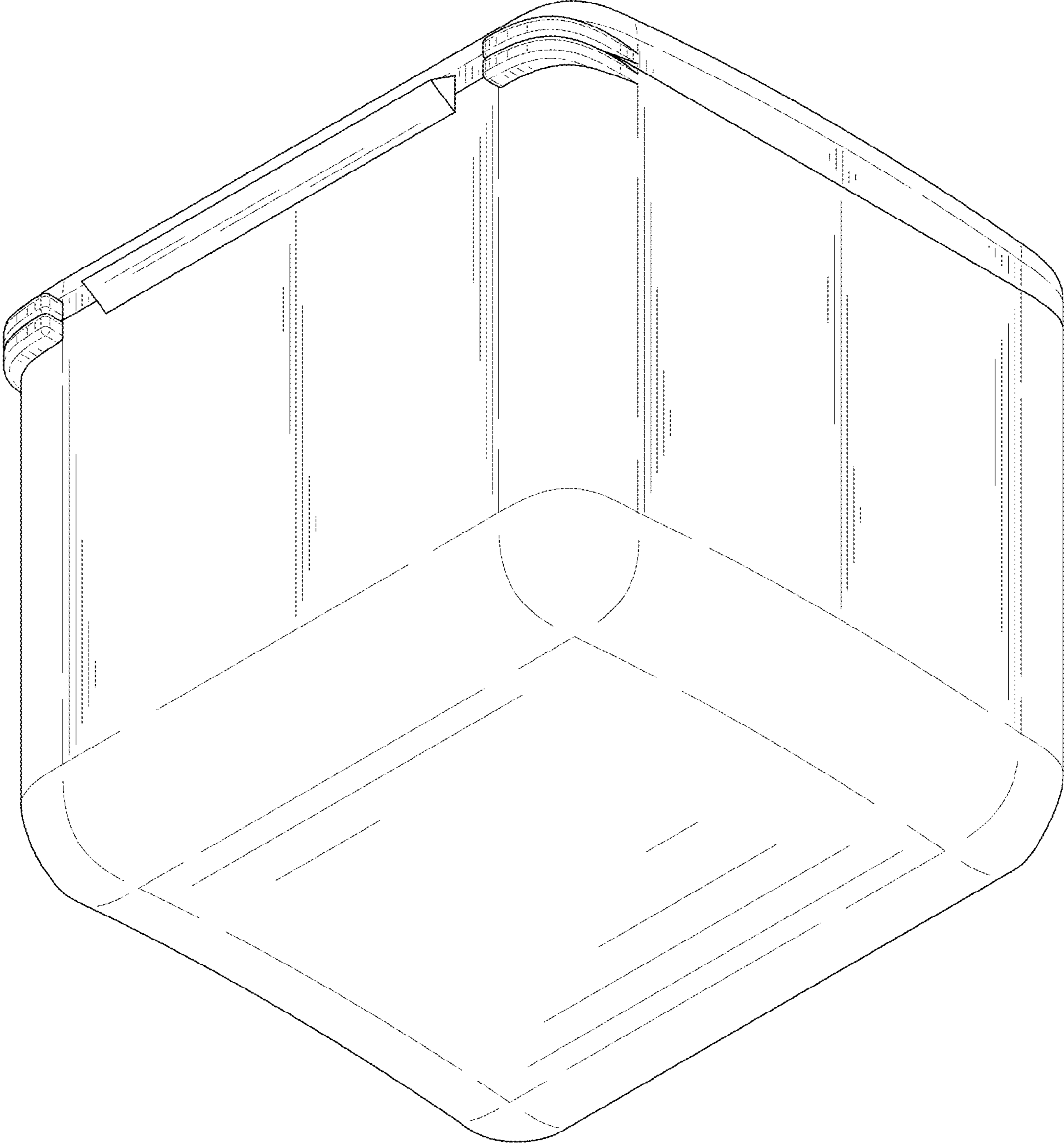


FIG. 2

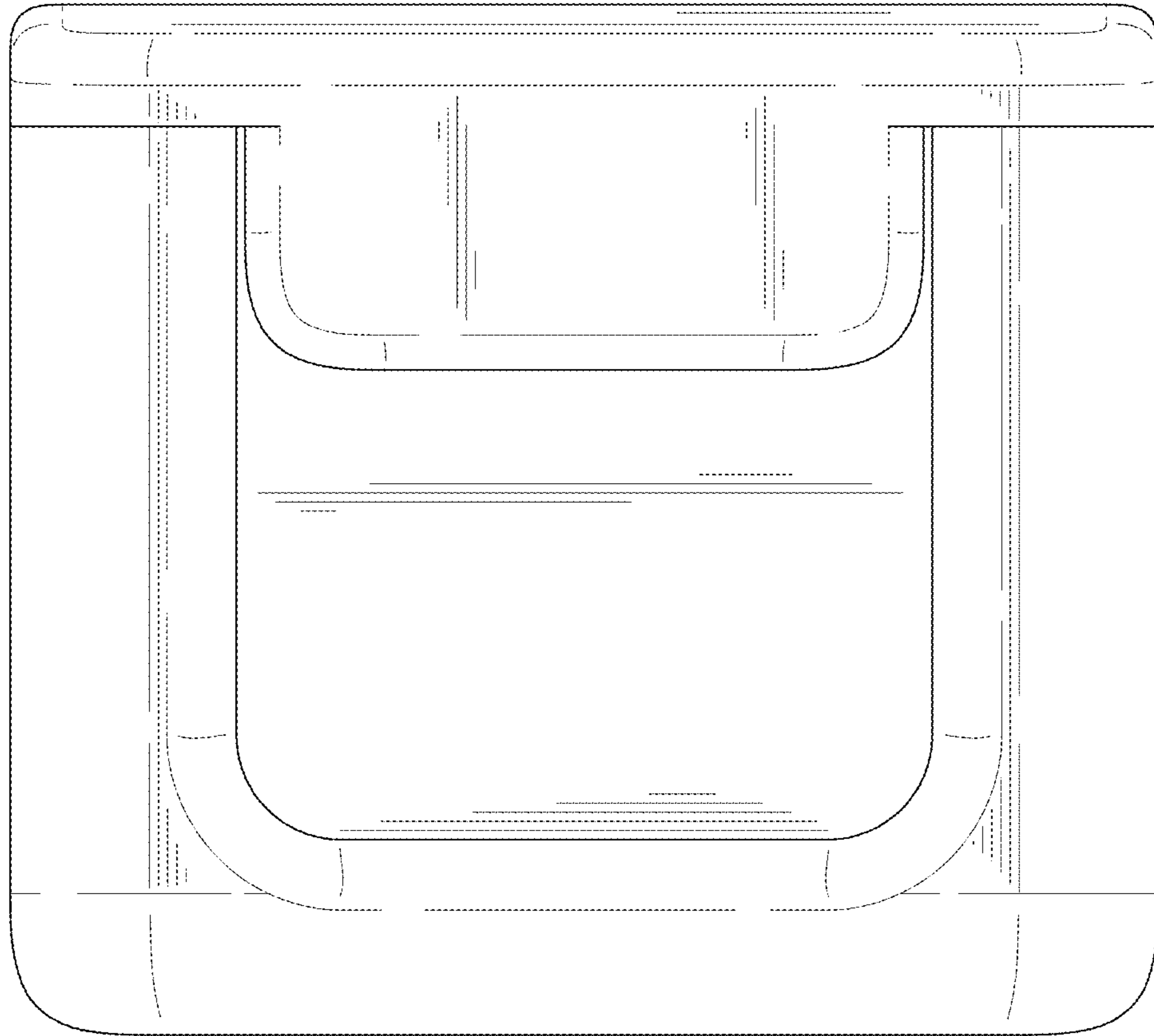


FIG. 3

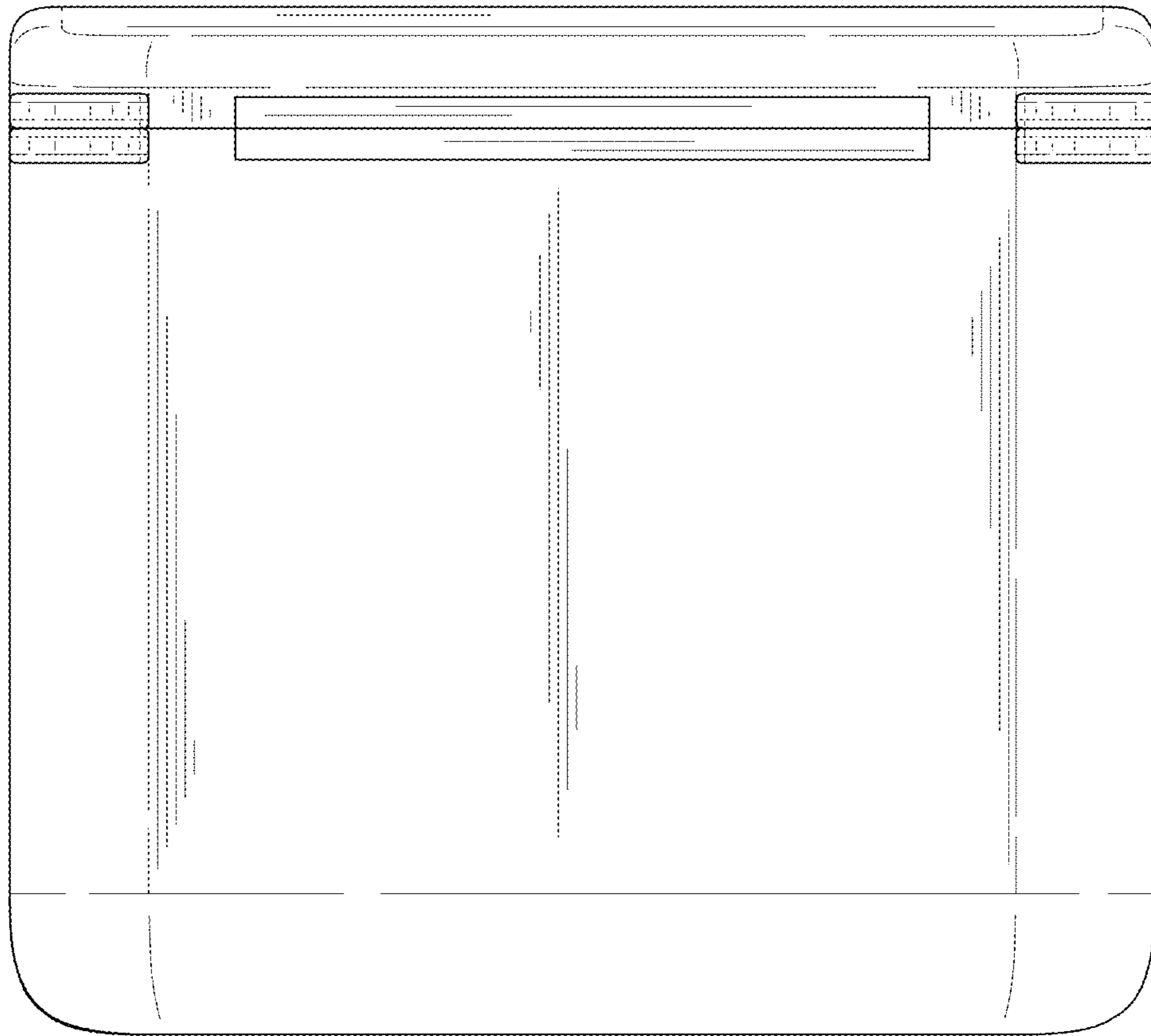


FIG. 4

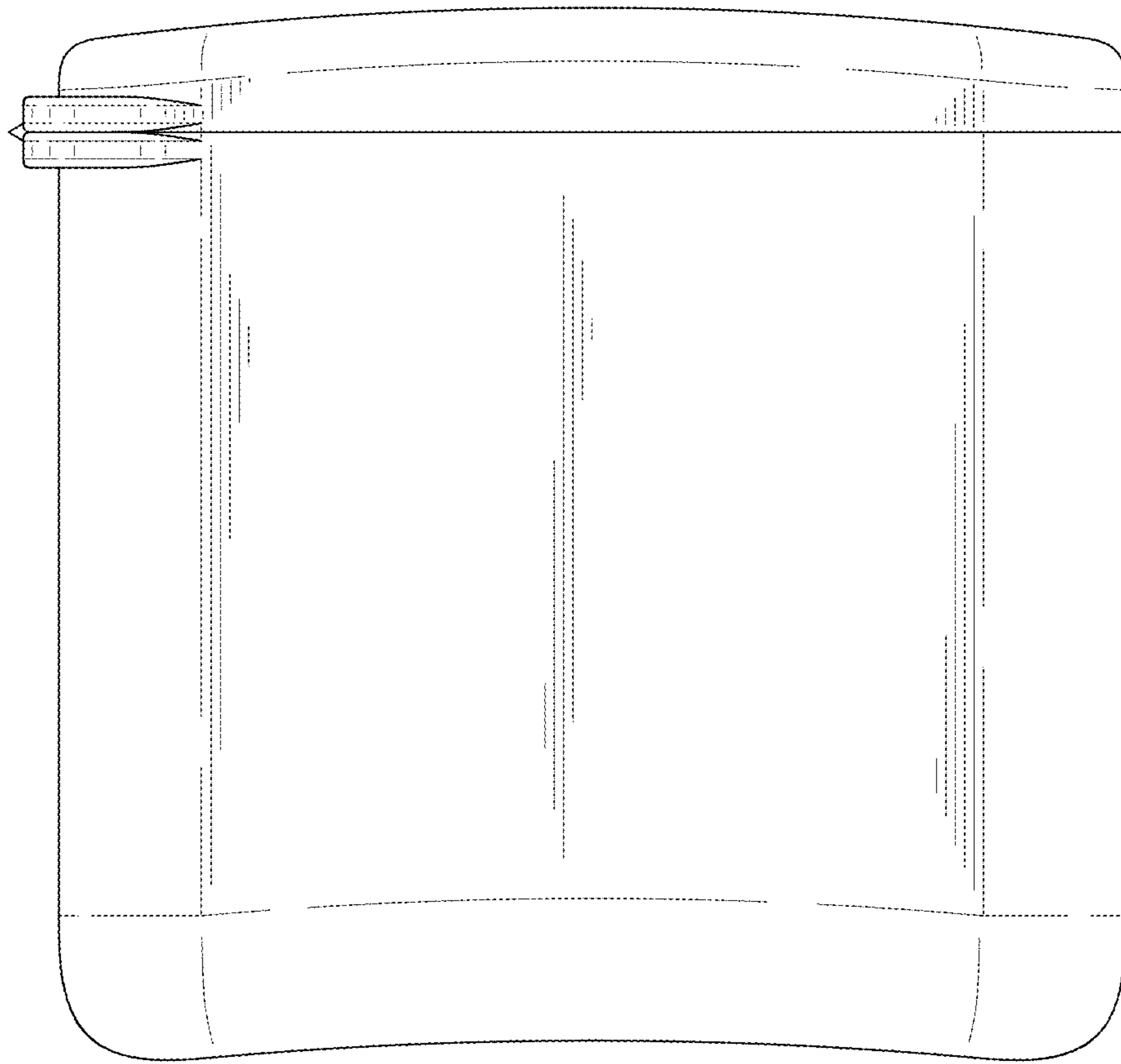


FIG. 5

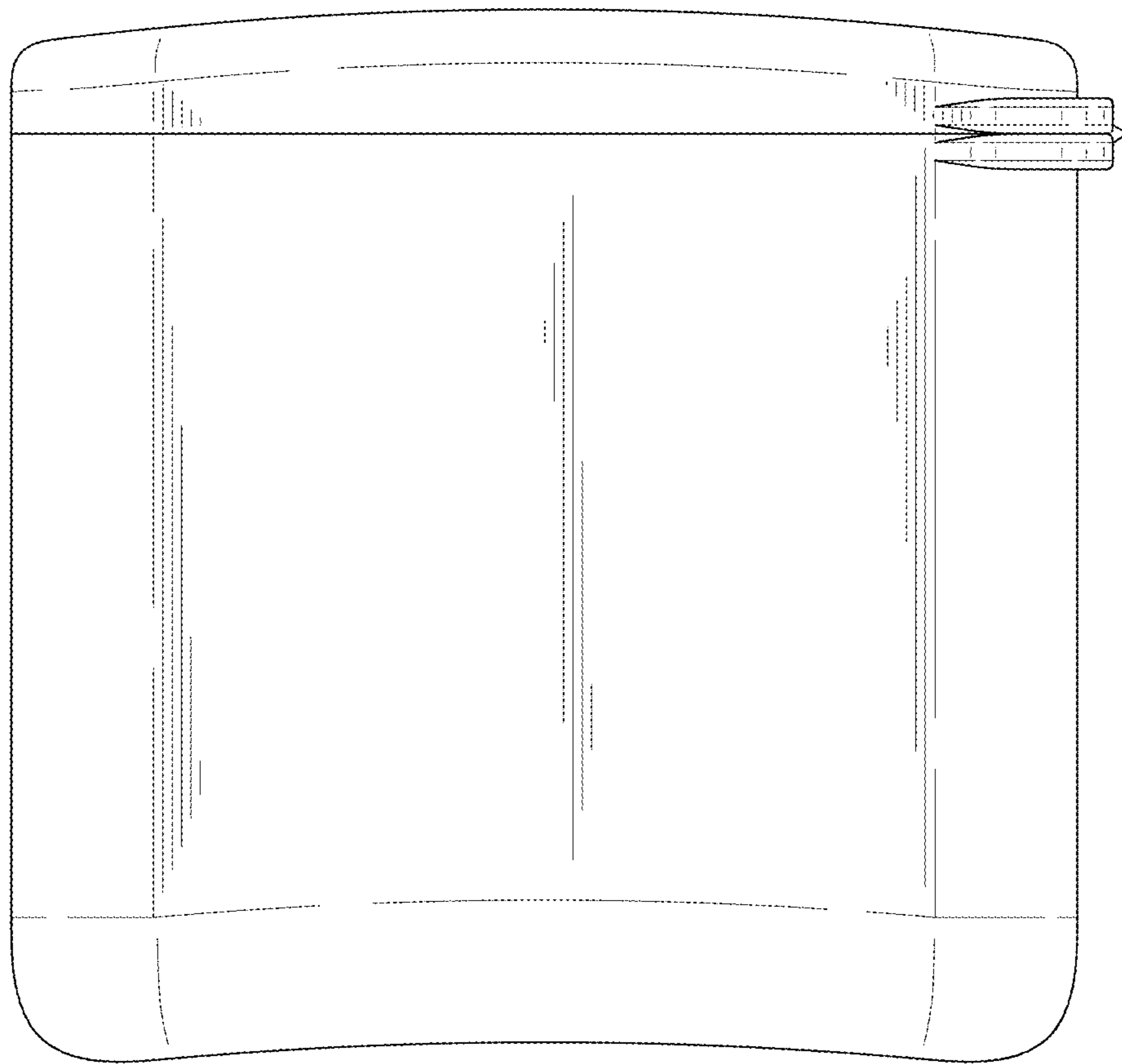


FIG. 6

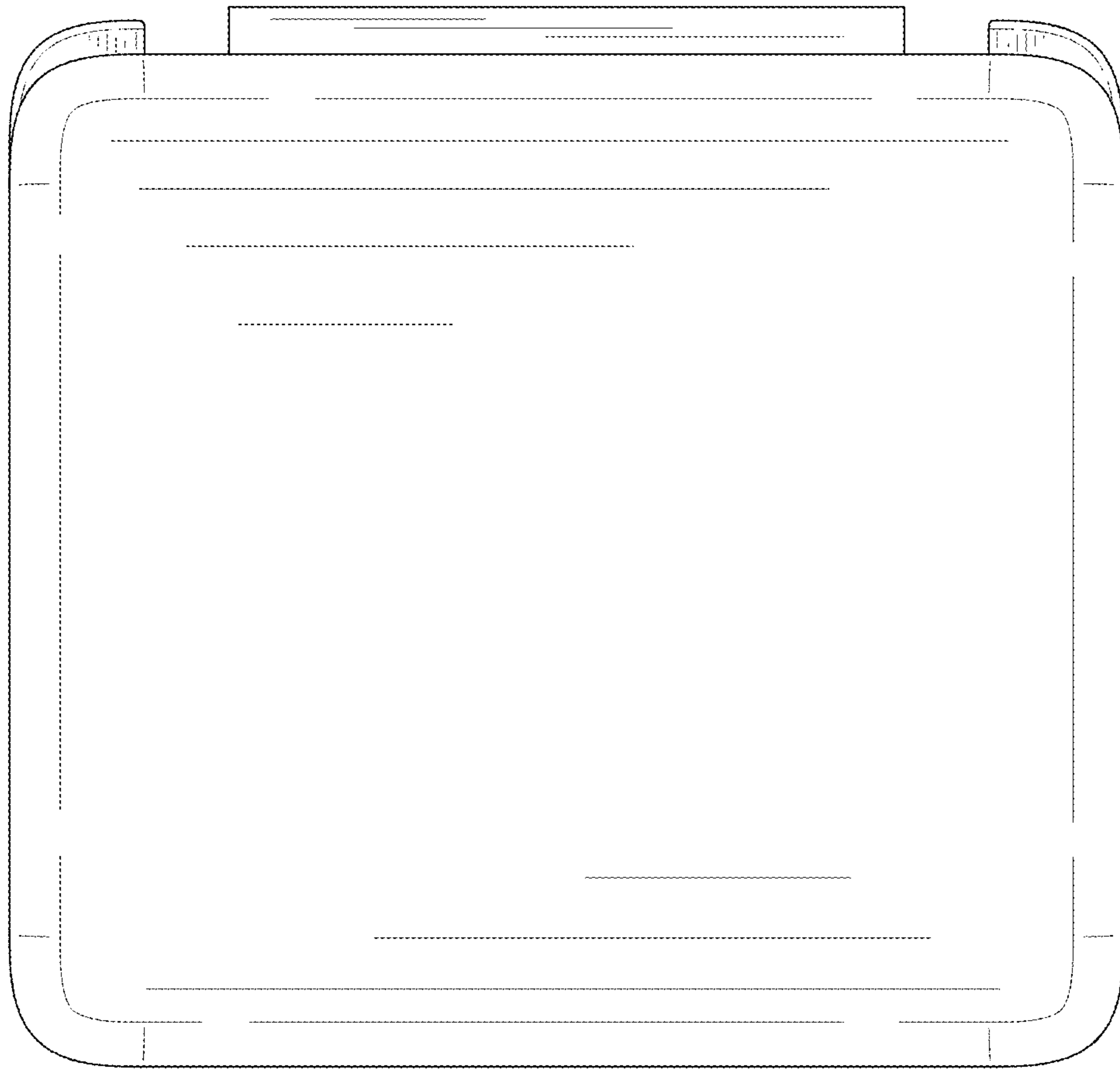


FIG. 7

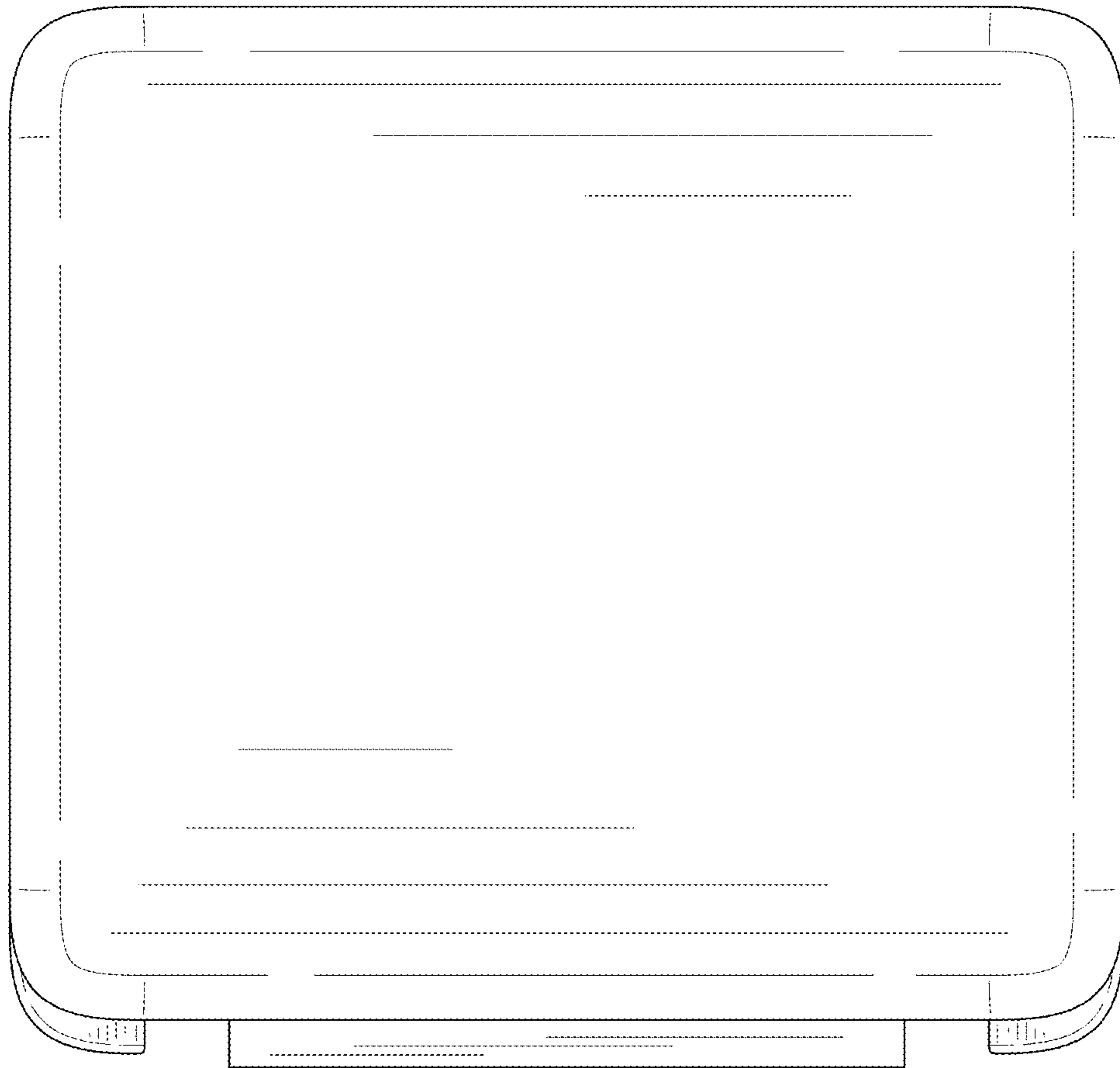


FIG. 8

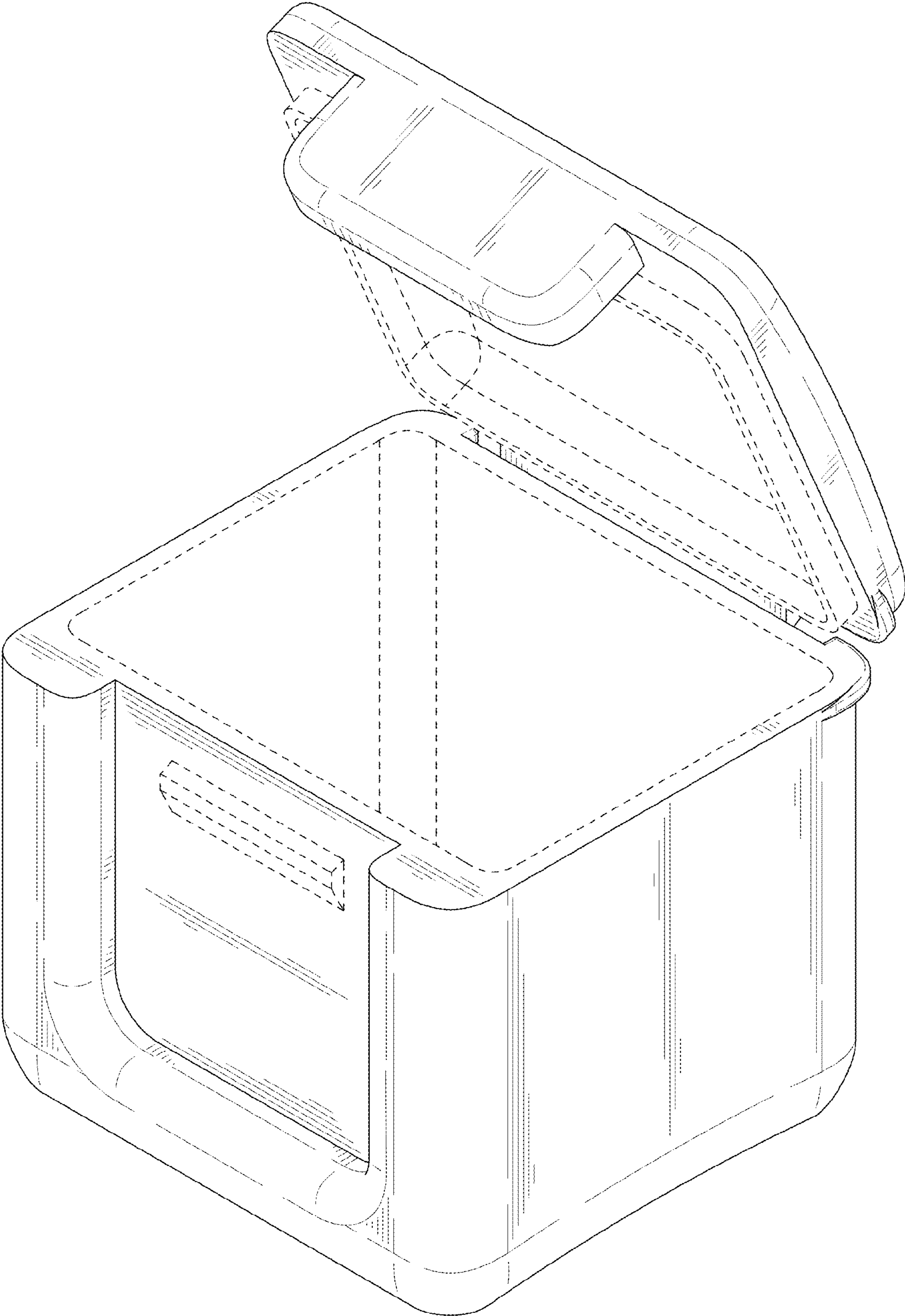


FIG. 9