

US00D969476S

(12) **United States Design Patent**  
**Nguyen**

(10) **Patent No.:** **US D969,476 S**

(45) **Date of Patent:** **\*\* Nov. 15, 2022**

(54) **UMBRELLA STAND**

(71) Applicant: **Lock Nguyen**, Morgan Hill, CA (US)

(72) Inventor: **Lock Nguyen**, Morgan Hill, CA (US)

(\*\*) Term: **15 Years**

(21) Appl. No.: **29/751,631**

(22) Filed: **Sep. 22, 2020**

(51) **LOC (13) Cl.** ..... **03-03**

(52) **U.S. Cl.**  
USPC ..... **D3/10**

(58) **Field of Classification Search**

USPC ..... D3/5-17; D13/101-107, 133, 154;  
D6/708, 708.2, 708.23; D20/8  
CPC ..... A45B 17/00; A45B 23/00; A45B 3/00;  
E04H 12/2238; A47F 5/00

See application file for complete search history.

(56) **References Cited**

**U.S. PATENT DOCUMENTS**

- 4,832,163 A \* 5/1989 Levesque ..... A45B 3/00  
108/14
- D495,536 S \* 9/2004 Lucht ..... D6/708
- 6,895,982 B1 \* 5/2005 Shaw ..... E04H 12/2246  
135/16
- 8,567,423 B1 \* 10/2013 Combs, Jr. .... E04H 15/32  
135/96
- 9,974,369 B1 5/2018 DePaolo
- 10,344,496 B1 \* 7/2019 Cefalo ..... E04H 12/2215
- 2001/0040208 A1 \* 11/2001 Li ..... E04H 12/2238  
248/519
- 2013/0146739 A1 \* 6/2013 Zhao ..... E04H 12/2238  
248/519
- 2015/0083172 A1 3/2015 Boal
- 2015/0159394 A1 \* 6/2015 Oliveira ..... E04H 12/22  
135/15.1

**FOREIGN PATENT DOCUMENTS**

- EM 000427901-0003 \* 11/2005
- KR 300984219.0000 \* 12/2018

**OTHER PUBLICATIONS**

Amazon.com, site visited Feb. 24, 2022, Gamma Seal Lid, First available Oct. 5, 2013, <https://www.amazon.com/gp/product/B00FNSUS6U?ie> (Year: 2013).\*

Walmart.com, site visited Feb. 24, 2022, Shademobile Rolling Umbrella Stand and Accessory Table, oldest review Mar. 23, 2013, <https://www.walmart.com/ip/Shademobile-Rolling-Umbrella-Stand-and-Accessory-Table-Bronze/193236316> (Year: 2013).\*

Boatoutfitters.com, site visited Feb. 24, 2022, LitterBin Bucket Top Trash Lid, oldest question Feb. 7, 2019, <https://www.boatoutfitters.com/litterbin-bucket-top-trash-lid> (Year: 2019).\*

Cooletti New Bucket Accessory, Retrieved from Internet, Retrieved on Jul. 24, 2020 <URL: <https://www.amazon.com/gp/product/B011055H9U>>.

\* cited by examiner

*Primary Examiner* — Brett Miller

*Assistant Examiner* — Jessica M Gebhart

(57) **CLAIM**

The ornamental design for a umbrella stand, as shown and described.

**DESCRIPTION**

FIG. 1 is a front-top perspective view of a umbrella stand showing my new design;

FIG. 2 is a front-bottom perspective view thereof;

FIG. 3 is a rear-top perspective view thereof;

FIG. 4 is a rear-bottom perspective view thereof;

FIG. 5 is a front elevational view thereof;

FIG. 6 is a rear elevational view thereof;

FIG. 7 is a left elevational view thereof;

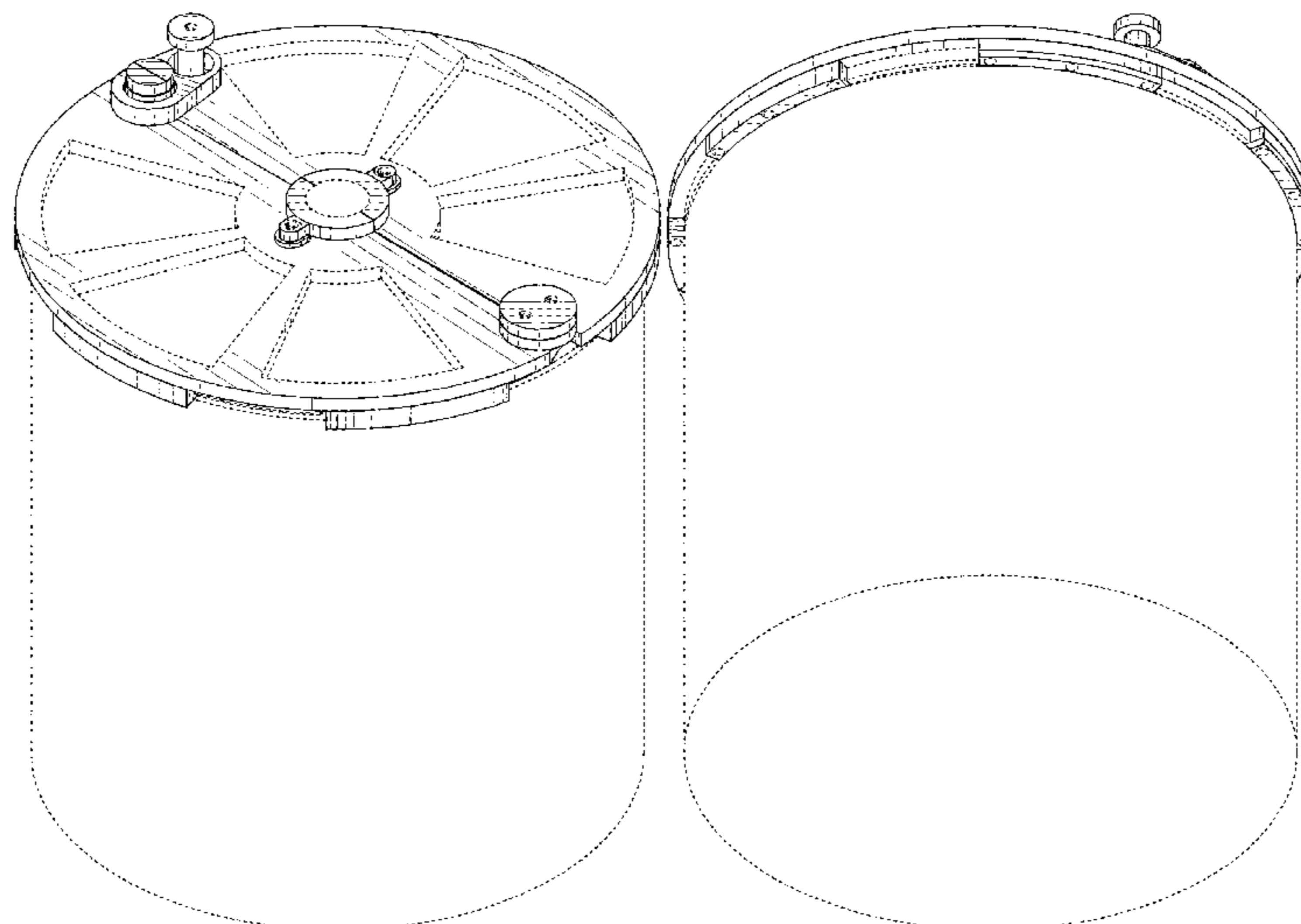
FIG. 8 is a right elevational view thereof;

FIG. 9 is a top plan view thereof; and,

FIG. 10 is a bottom plan view thereof.

The broken lines shown are for illustrative purposes only and form no part of the claimed design.

**1 Claim, 10 Drawing Sheets**



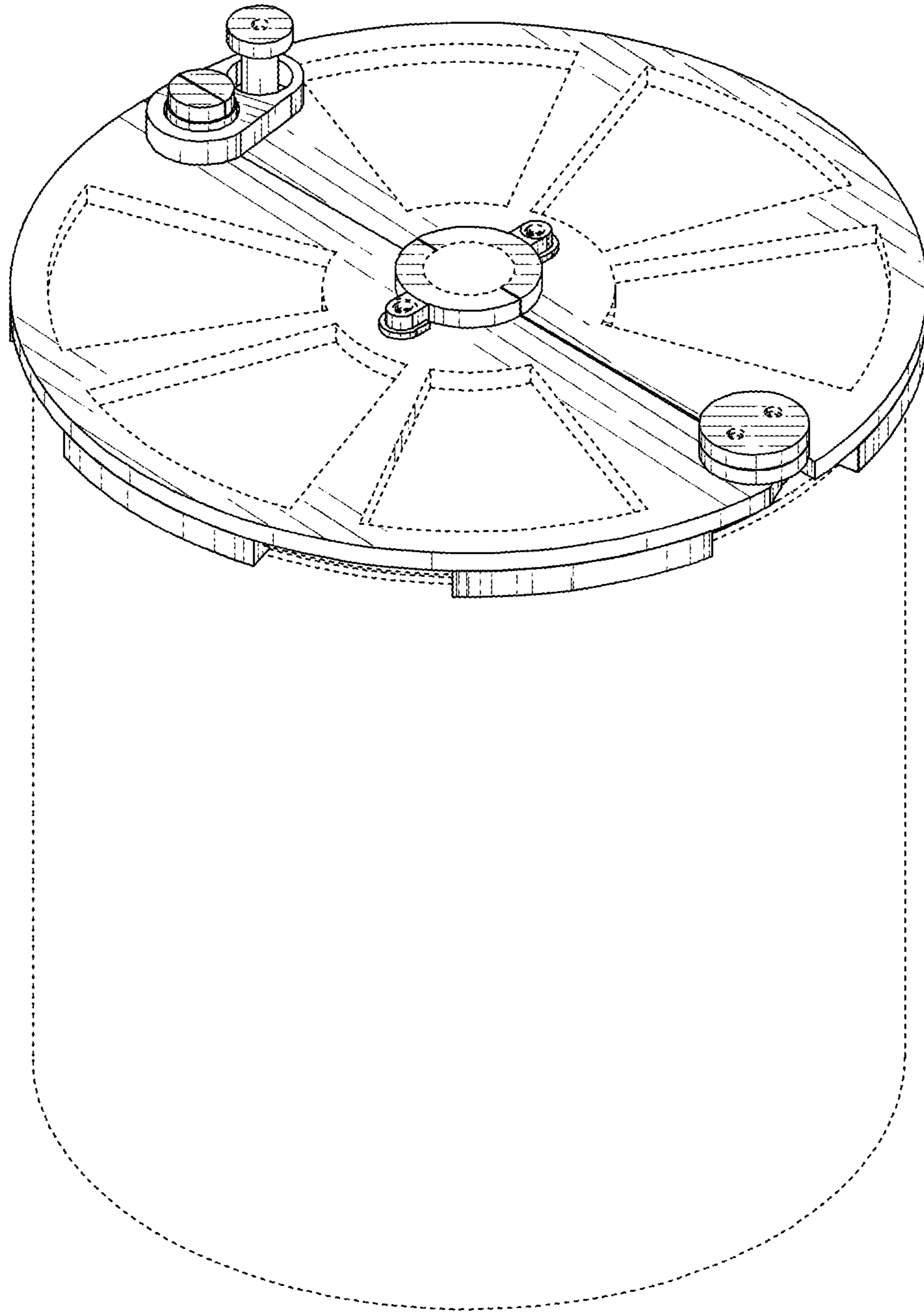


FIG. 1

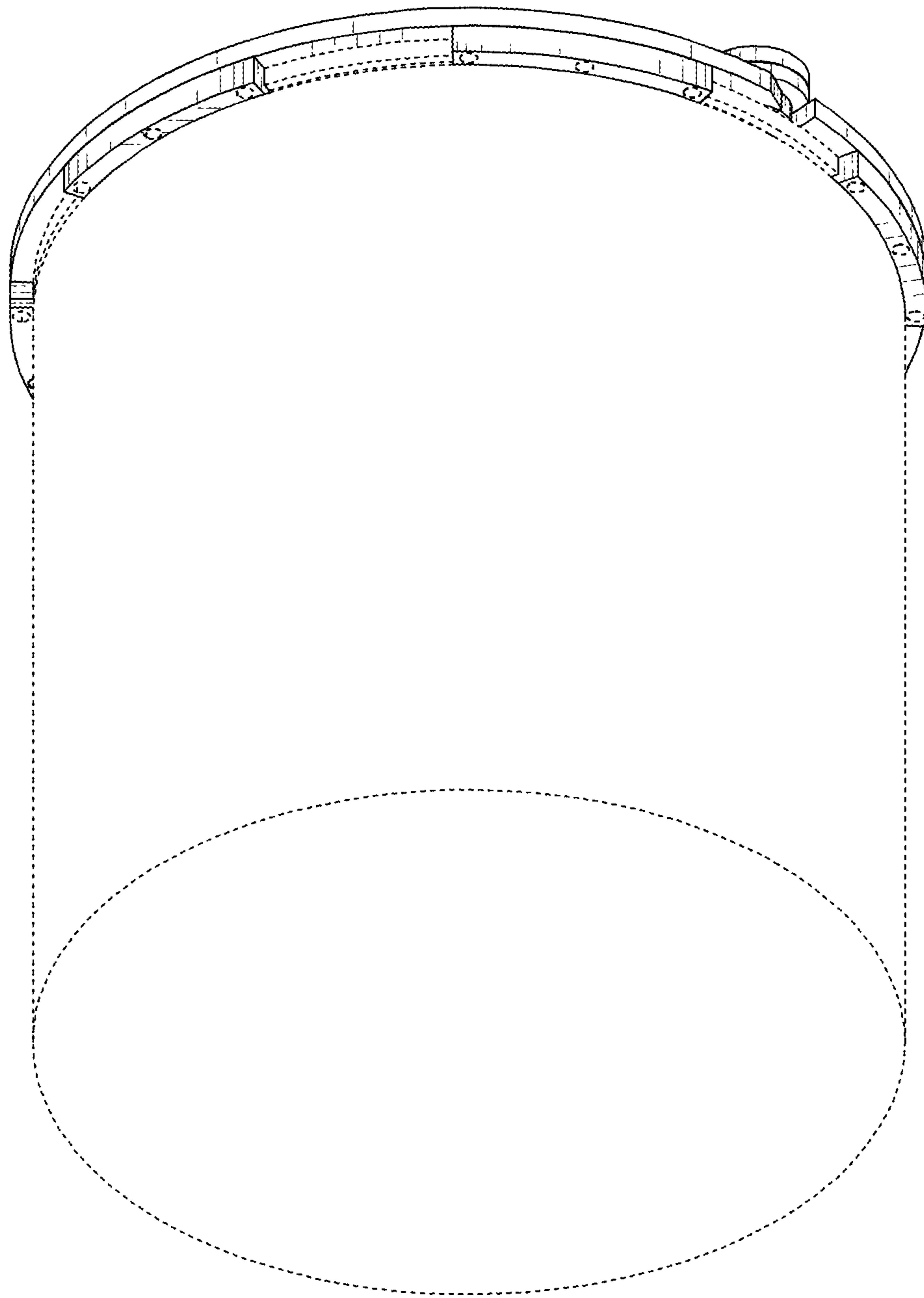


FIG. 2

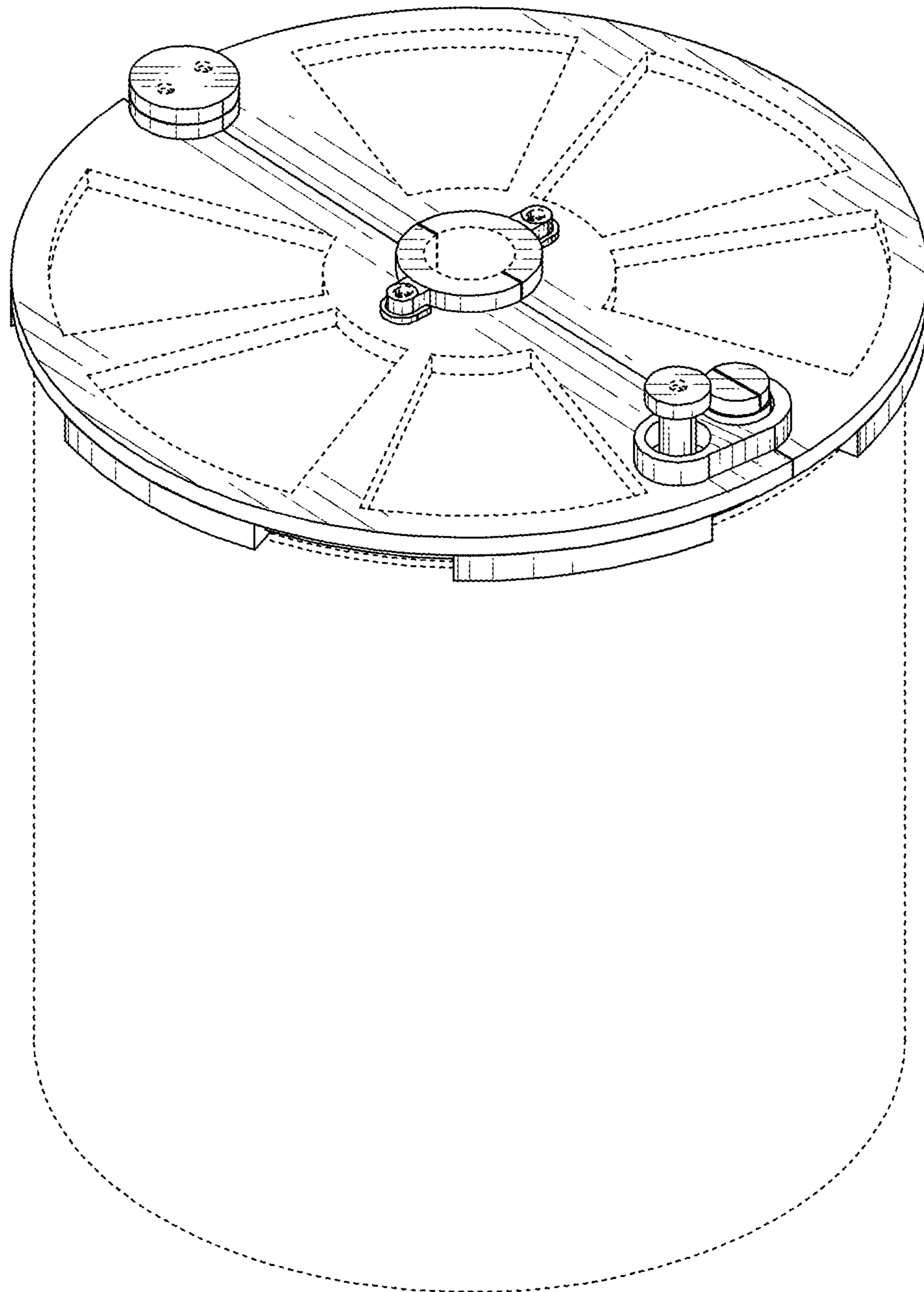


FIG. 3

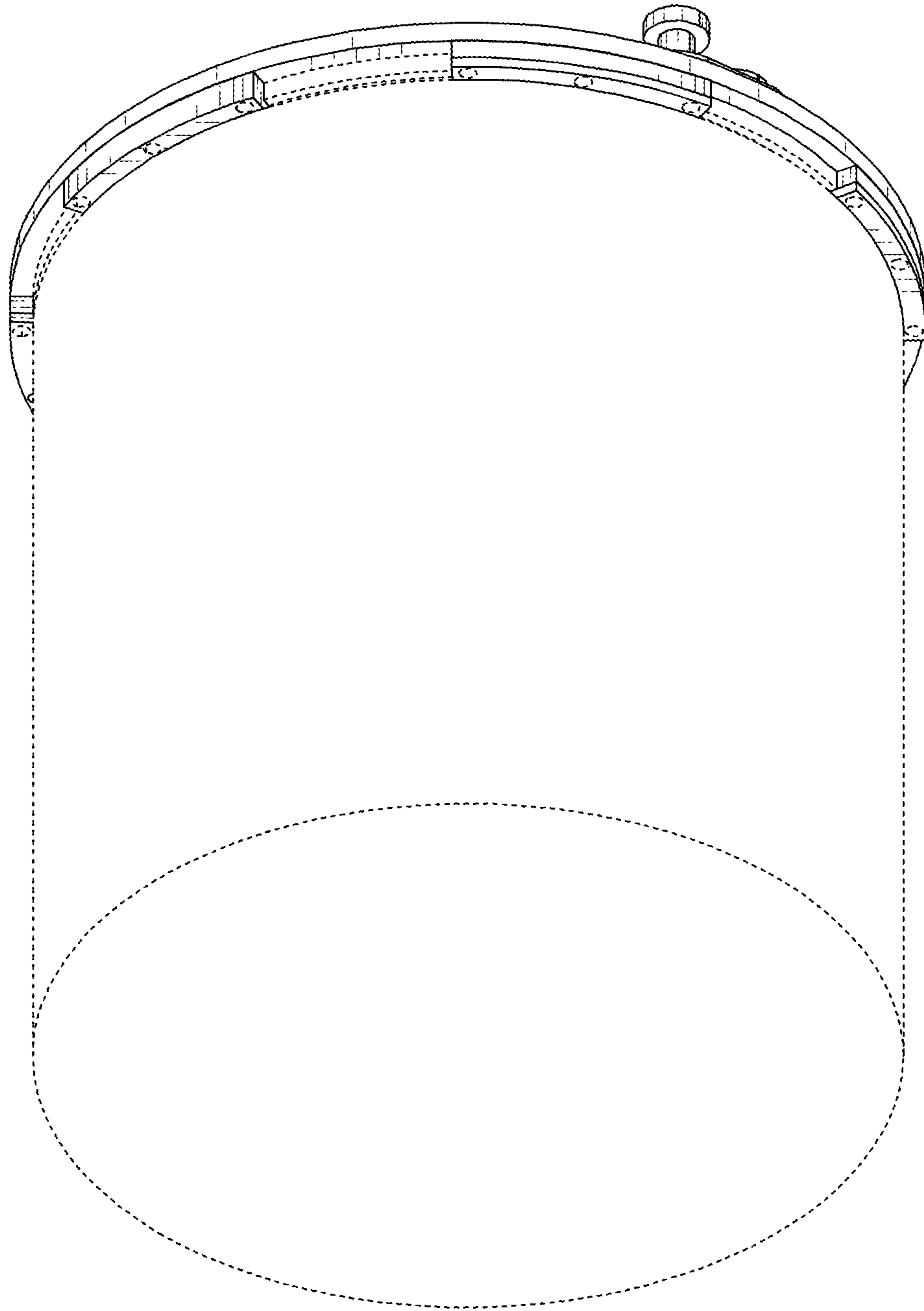


FIG. 4

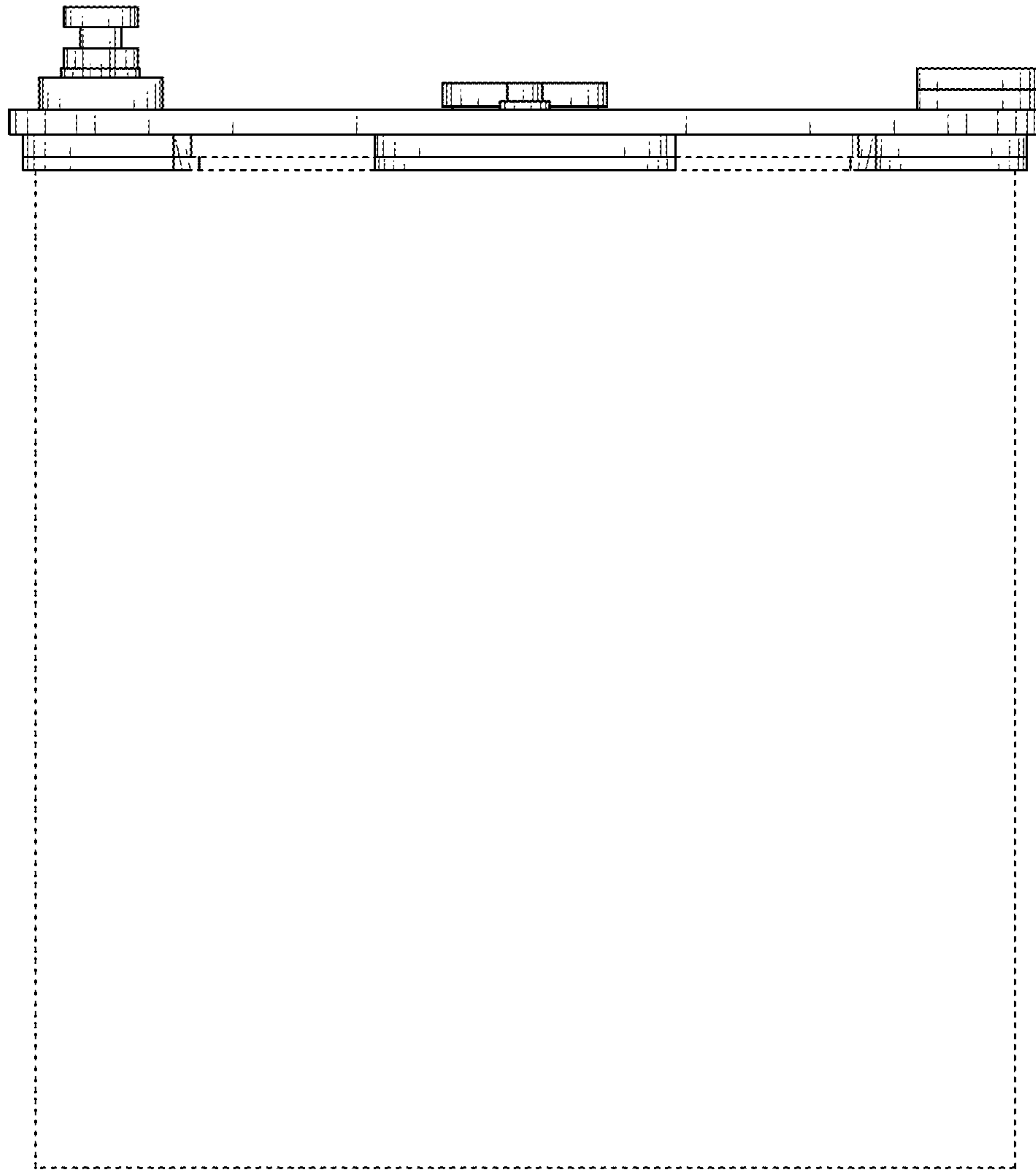


FIG. 5

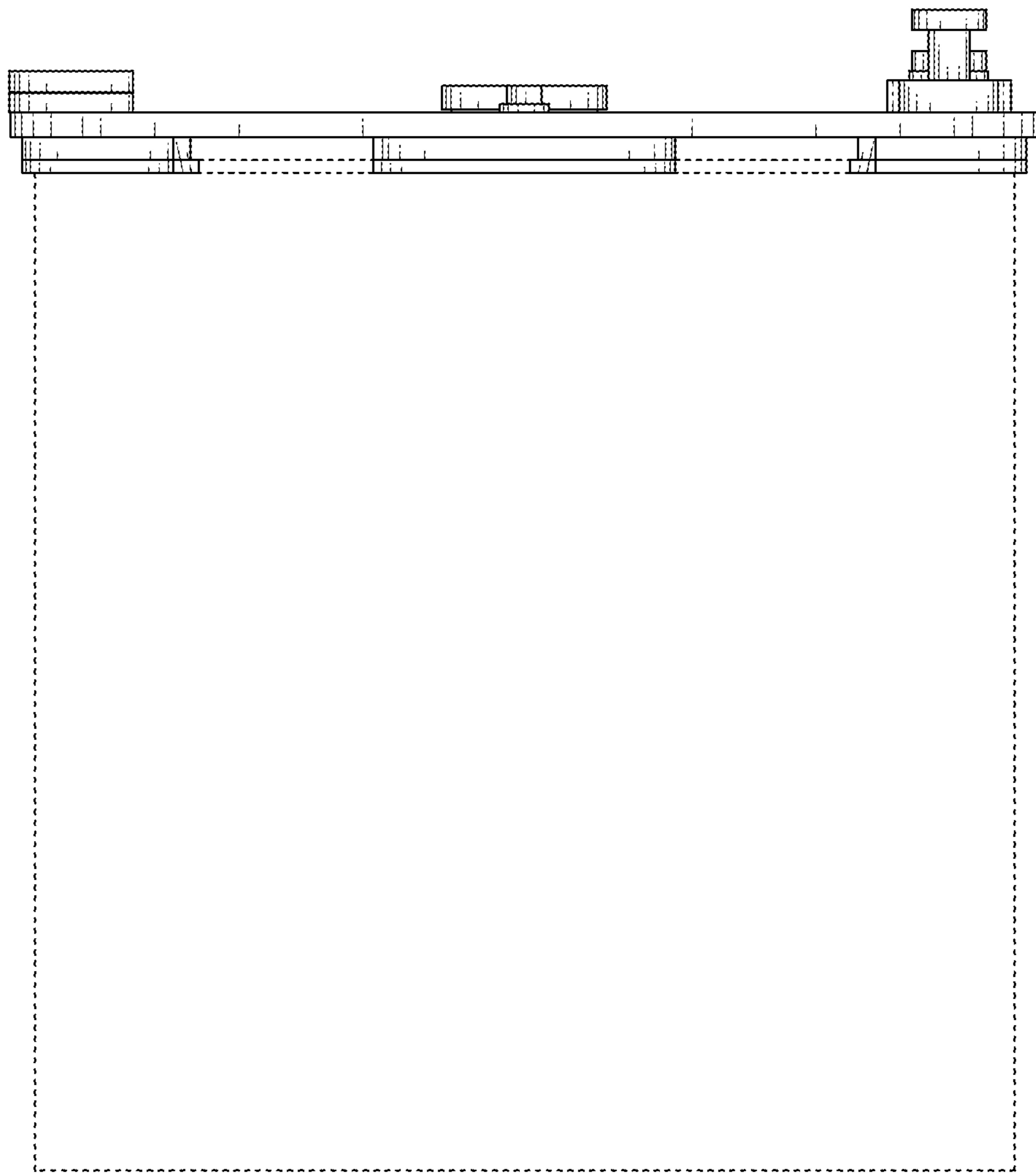


FIG. 6

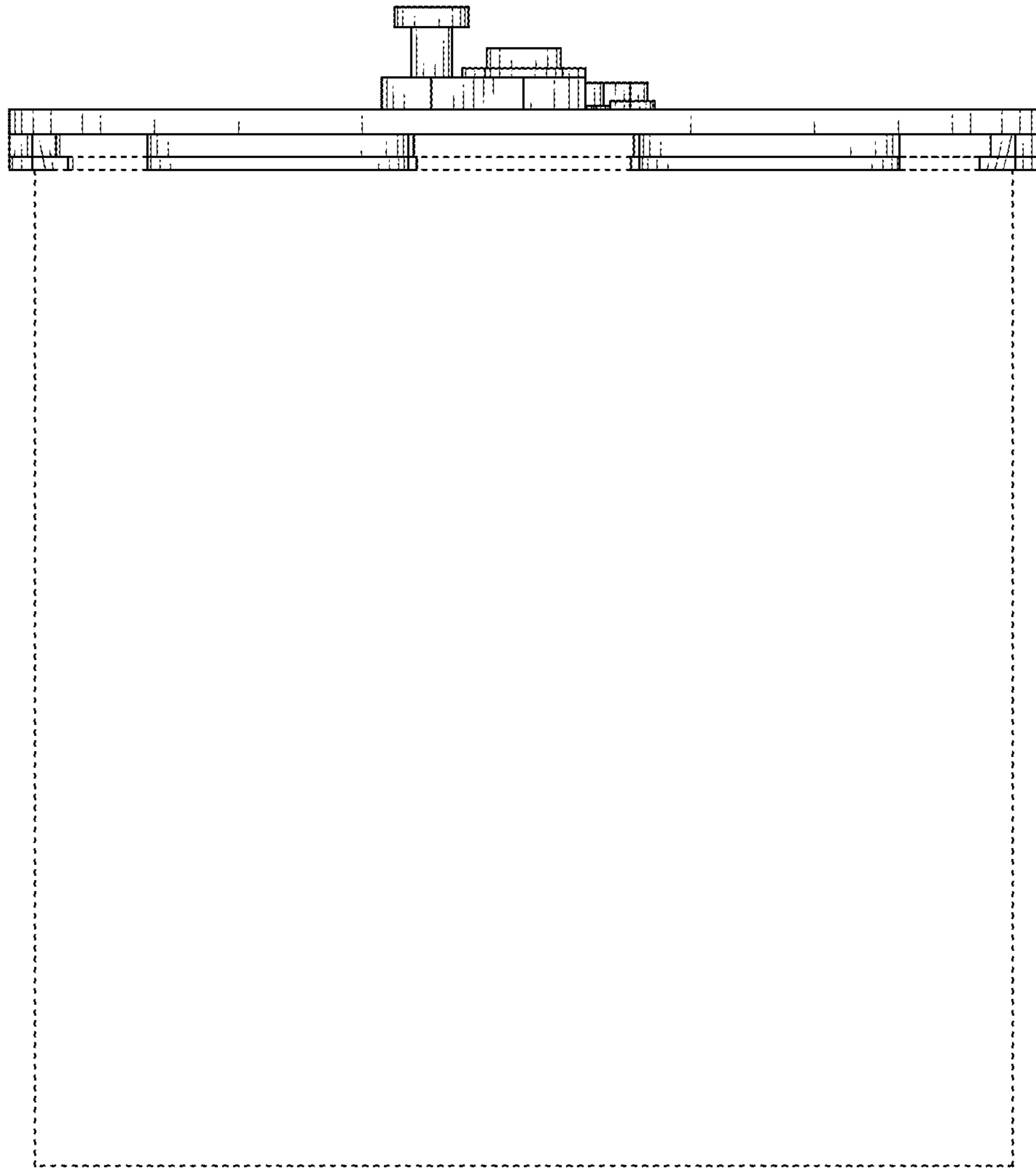


FIG. 7



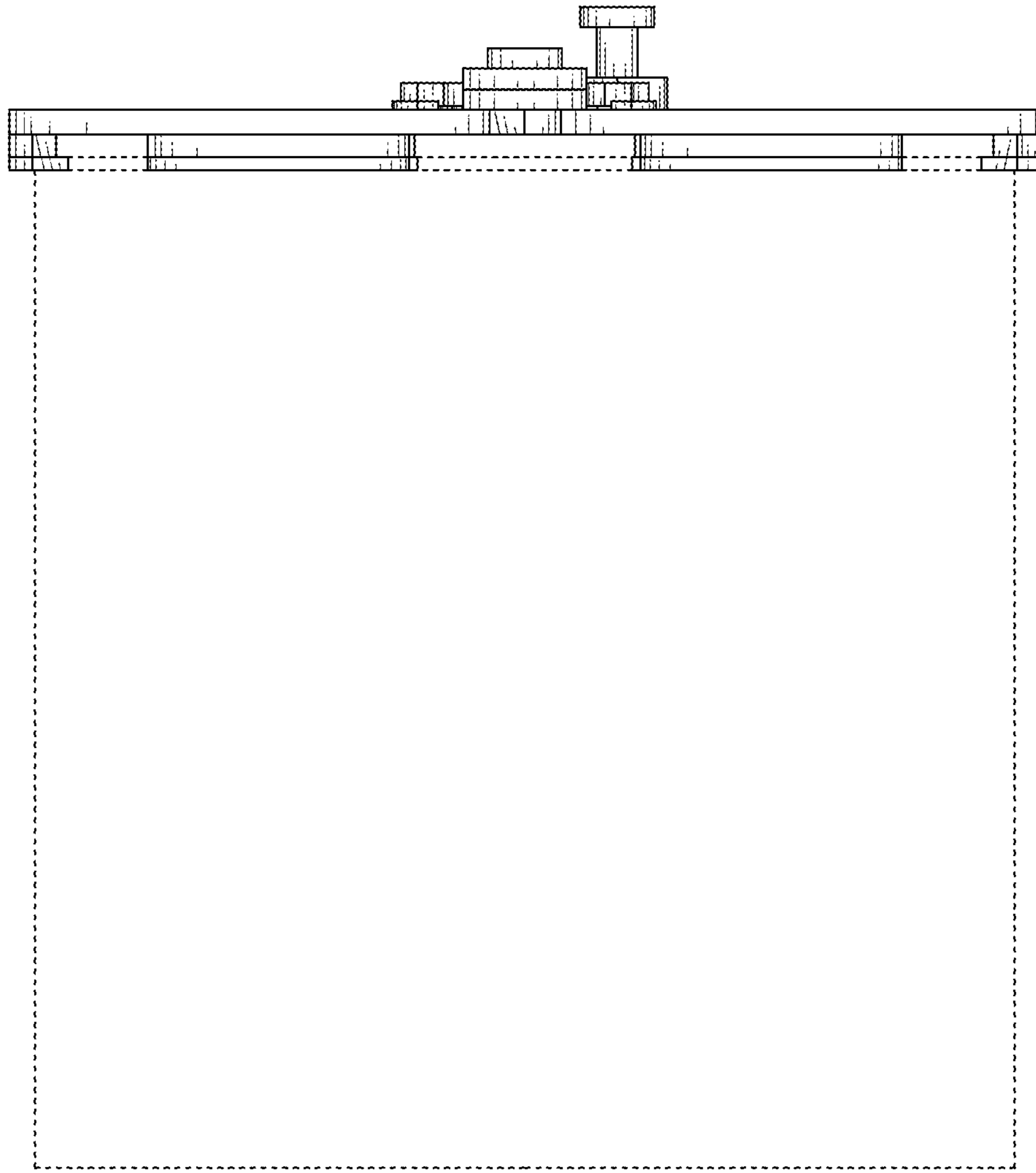


FIG. 8

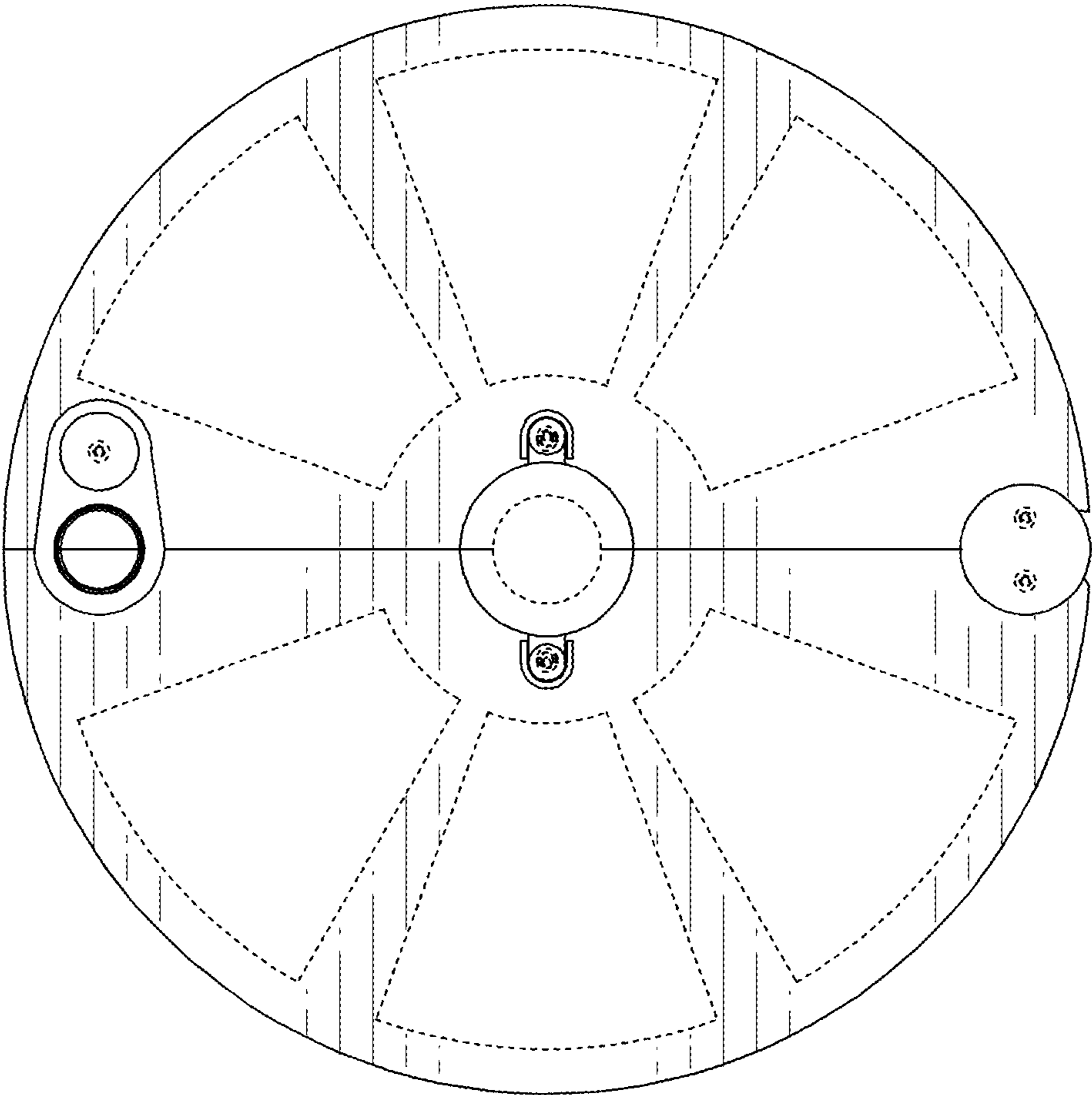


FIG. 9

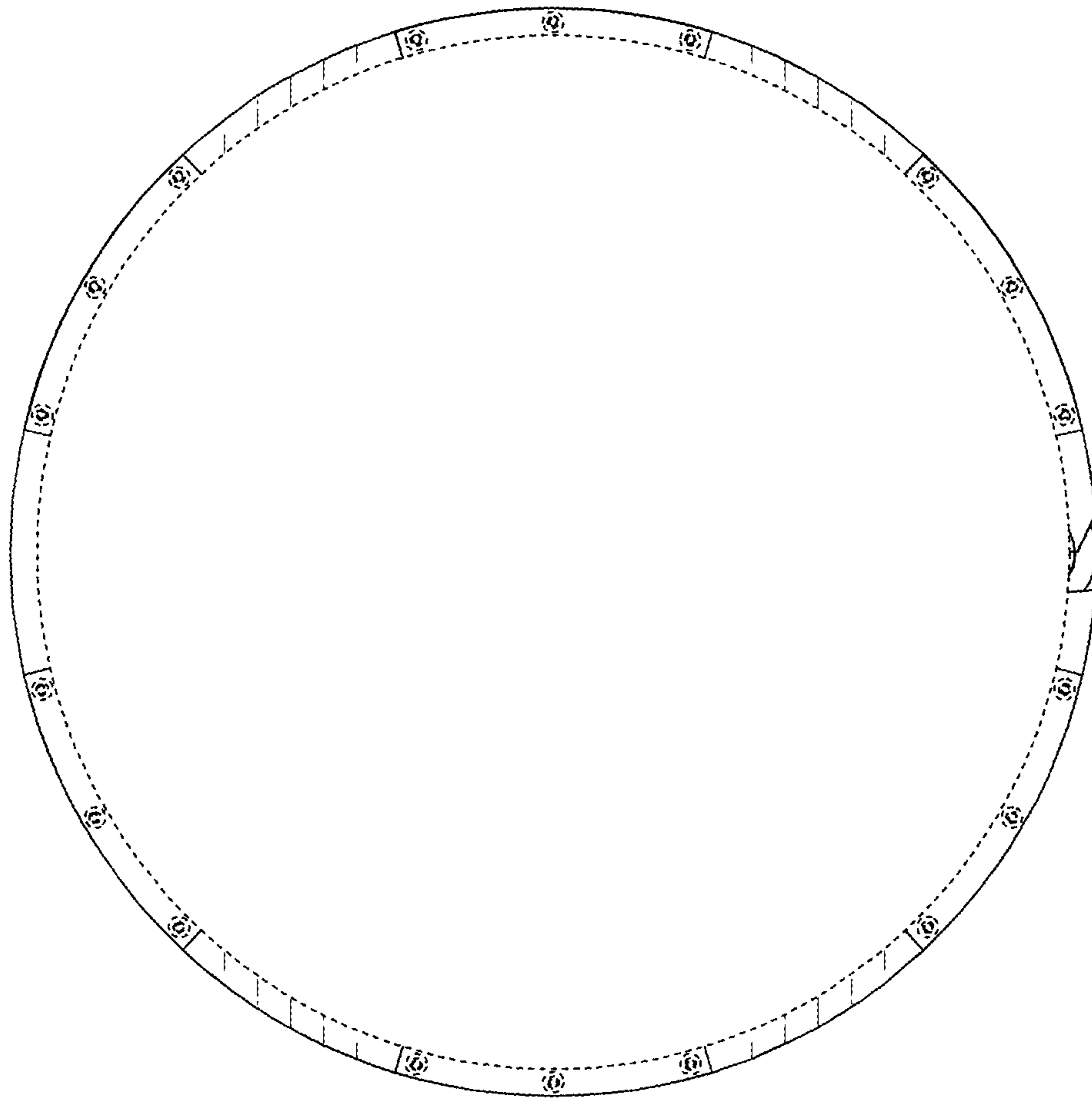


FIG. 10