



US00D969472S

(12) **United States Design Patent**
Haire et al.

(10) **Patent No.:** **US D969,472 S**

(45) **Date of Patent:** **** Nov. 15, 2022**

(54) **SOLE FOR A SHOE**

(71) Applicant: **FRANKIE4 IP 1 Pty Ltd,**
Indooroopilly (AU)

(72) Inventors: **Caroline Rose Haire,** Indooroopilly
(AU); **Rosemary Jamieson,**
Indooroopilly (AU)

(73) Assignee: **FRANKIE4 IP 1 Pty Ltd,**
Indooroopilly (AU)

(**) Term: **15 Years**

(21) Appl. No.: **29/764,240**

(22) Filed: **Dec. 29, 2020**

(30) **Foreign Application Priority Data**

Jun. 30, 2020 (AU) 202013554

(51) **LOC (13) Cl.** **02-04**

(52) **U.S. Cl.**

USPC **D2/959; D2/957; D2/947**

(58) **Field of Classification Search**

USPC D2/902, 906, 908, 916, 918, 925,
D2/946-962, 977

CPC A43B 13/00; A43B 13/02; A43B 13/023;
A43B 13/026; A43B 13/04; A43B 13/08;
A43B 13/10; A43B 13/12; A43B 13/14;
A43B 13/141; A43B 13/143; A43B
13/16; A43B 13/18; A43B 13/181; A43B
13/187; A43B 13/189; A43B 13/20; A43B
13/22; A43B 13/223; A43B 13/24; A43B
13/28; A43B 13/30; A43B 13/32; A43B
13/34; A43B 13/36

See application file for complete search history.

(56) **References Cited**

U.S. PATENT DOCUMENTS

D237,323 S * 10/1975 Inohara D2/977
D248,897 S * 8/1978 Toothaker D2/958

D263,645 S * 4/1982 Mastrantuone D2/958
D273,245 S * 4/1984 Tonkel D2/958
D284,616 S * 7/1986 Gamm D2/954
D313,306 S * 1/1991 Chang D2/961
D329,132 S * 9/1992 Ostberg D2/953
D401,743 S * 12/1998 Wunsch D2/954
D467,060 S * 12/2002 Randesi D2/954
D488,916 S * 4/2004 McClaskie D2/959
D561,986 S * 2/2008 Horne D2/953
D564,191 S * 3/2008 Jensen D2/960
D565,286 S * 4/2008 McClaskie D2/954
D573,335 S * 7/2008 Jensen D2/960

(Continued)

Primary Examiner — Jonathan J Han

(74) *Attorney, Agent, or Firm* — Snell & Wilmer L.L.P.

(57) **CLAIM**

The ornamental design for a sole for a shoe, as shown and described.

DESCRIPTION

FIG. 1 is a top, rear and outer-side isometric view of a sole for a shoe.

FIG. 2 is a front view of the sole of FIG. 1.

FIG. 3 is a rear view of the sole of FIG. 1.

FIG. 4 is an inner-side view of the sole of FIG. 1.

FIG. 5 is an outer-side view of the sole of FIG. 1.

FIG. 6 is a top view of the sole of FIG. 1.

FIG. 7 is a bottom view of the sole of FIG. 1.

FIG. 8 is a bottom, rear and inner-side isometric view of the sole of FIG. 1.

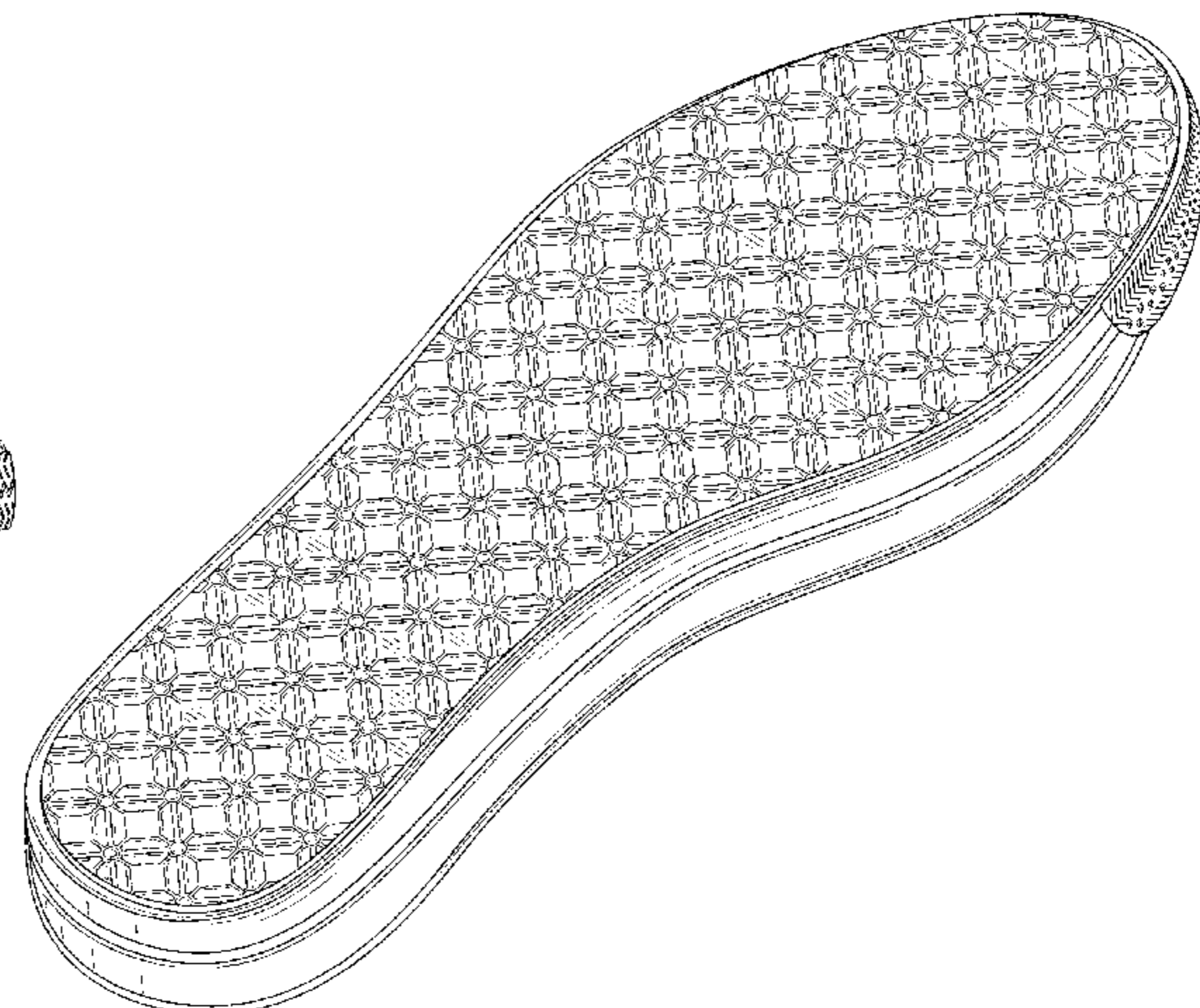
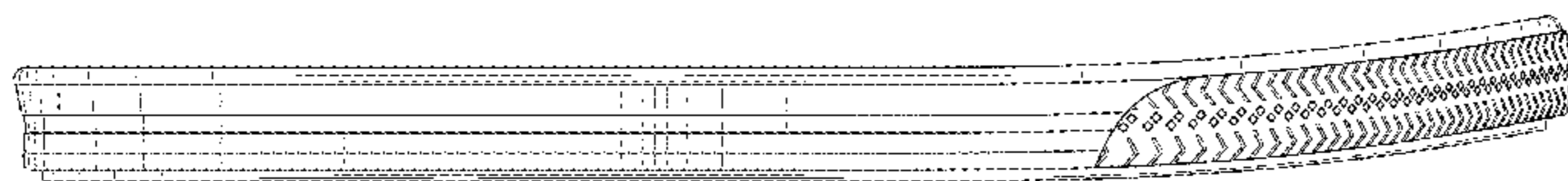
FIG. 9 is a cross-sectional view of the sole taken along line 9-9 of FIG. 6.

FIG. 10 is a cross-sectional view of the sole taken along line 10-10 of FIG. 6.

FIG. 11 is a cross-sectional view of the sole taken along line 11-11 of FIG. 6; and,

FIG. 12 is a cross-sectional view of the sole taken along line 12-12 of FIG. 6.

1 Claim, 8 Drawing Sheets



(56)

References Cited

U.S. PATENT DOCUMENTS

D634,526	S	*	3/2011	Ng	D2/953
D657,543	S	*	4/2012	Bove	D2/954
D679,487	S	*	4/2013	Wawrousek	D2/951
D707,934	S	*	7/2014	Petrie	D2/951
D744,212	S	*	12/2015	Boudreau	D2/951
D756,095	S	*	5/2016	Nakano	D2/951
D793,682	S	*	8/2017	Bacon	D2/951
D806,372	S	*	1/2018	Boudreau	D2/951
D817,619	S	*	5/2018	Bressanin	D2/951
D860,614	S	*	9/2019	Bishoff	D2/951
D862,857	S	*	10/2019	Boudreau	D2/951
D885,028	S	*	5/2020	Yu	D2/951
D903,993	S	*	12/2020	Stefan	D2/951
D912,957	S	*	3/2021	Weddle	D2/947
D942,743	S	*	2/2022	Viganò	D2/960

* cited by examiner



FIG. 1

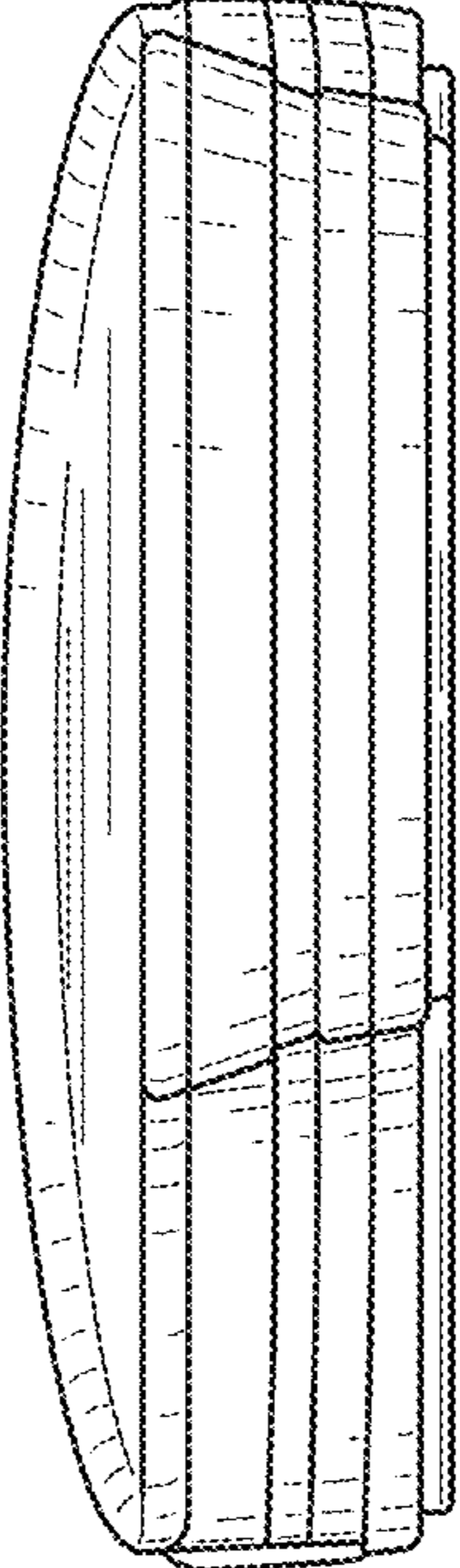


FIG. 3

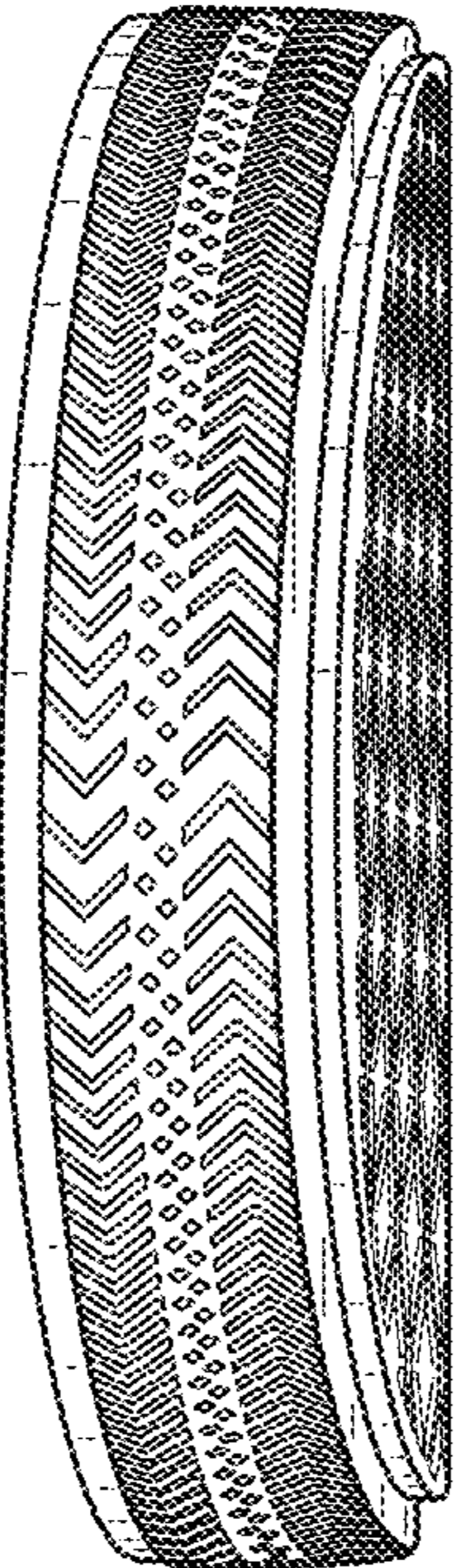


FIG. 2

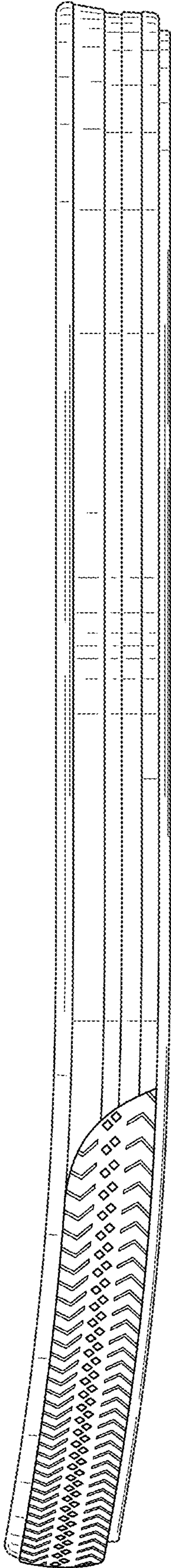


FIG. 4

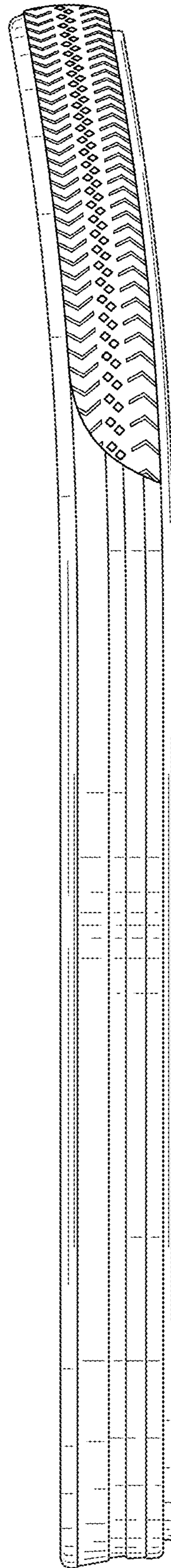


FIG. 5

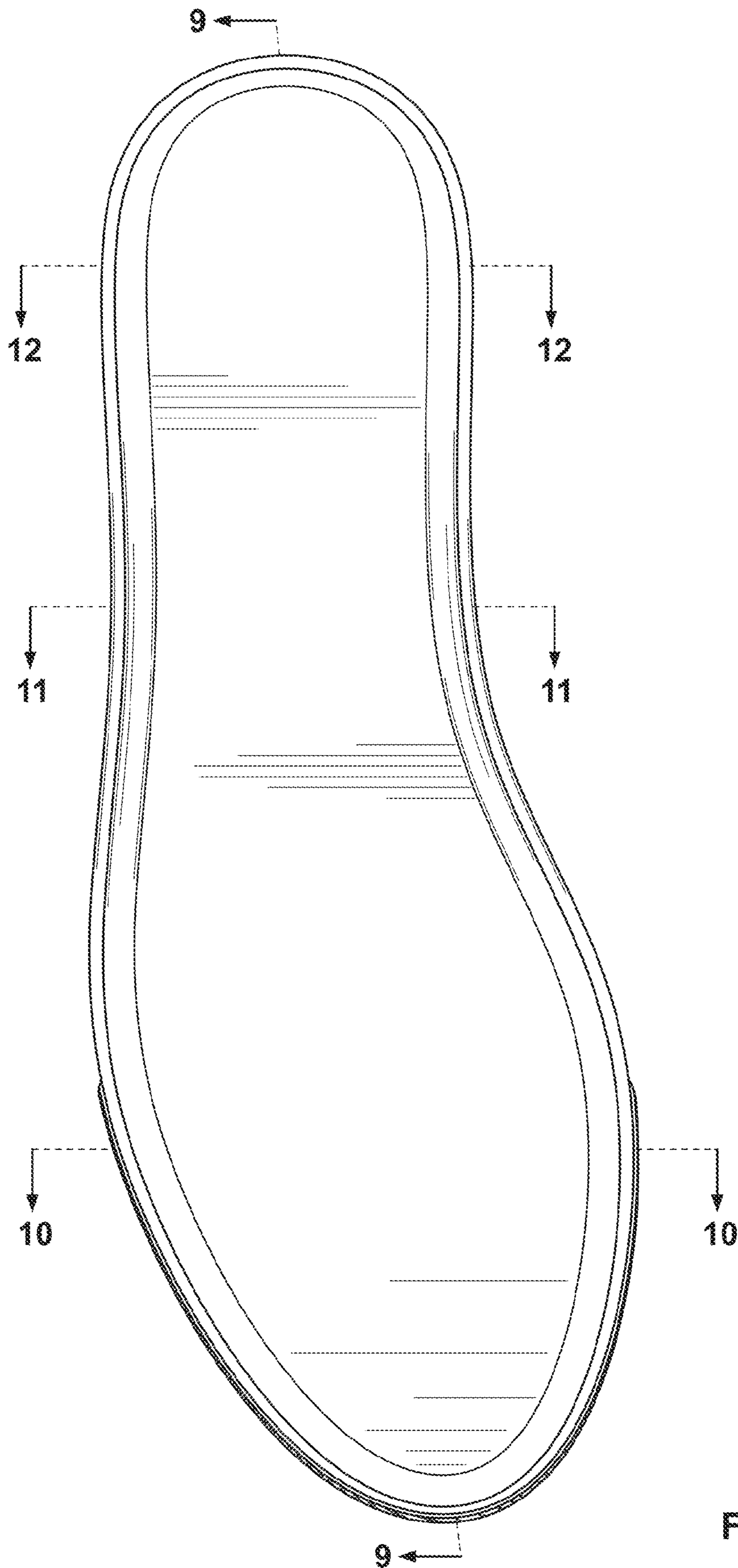


FIG. 6

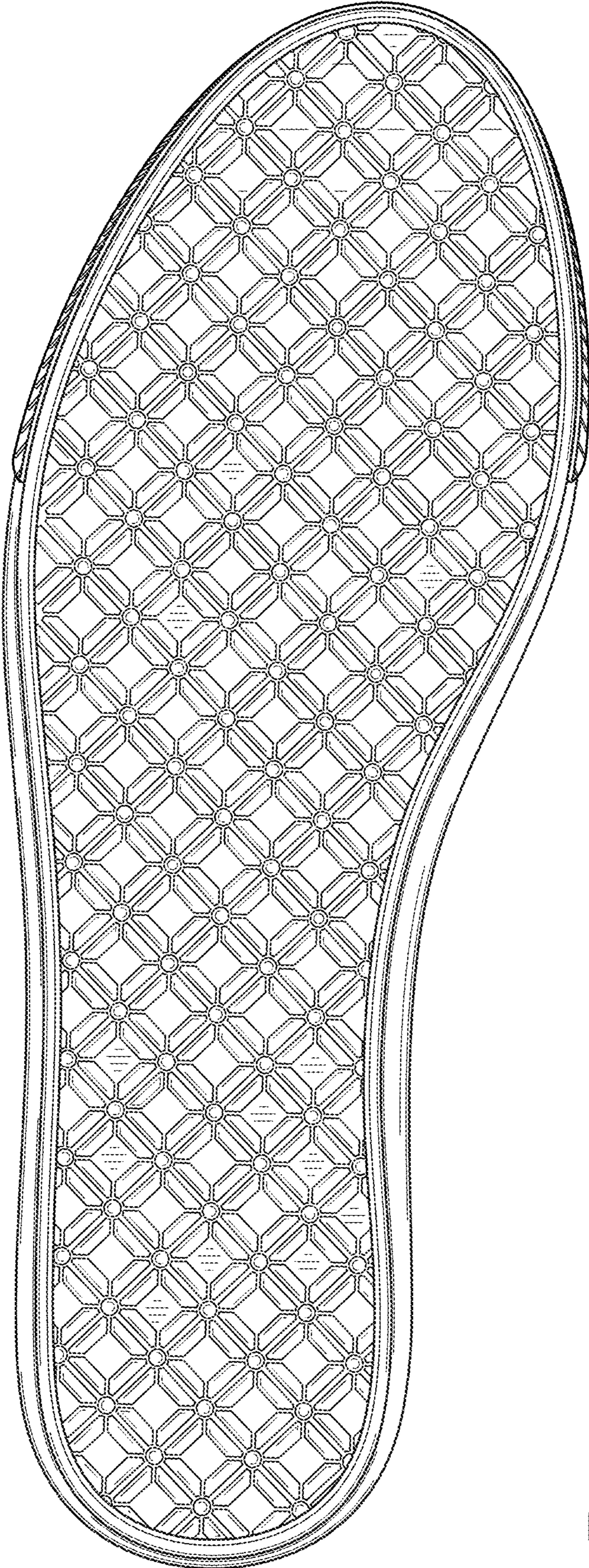


FIG. 7

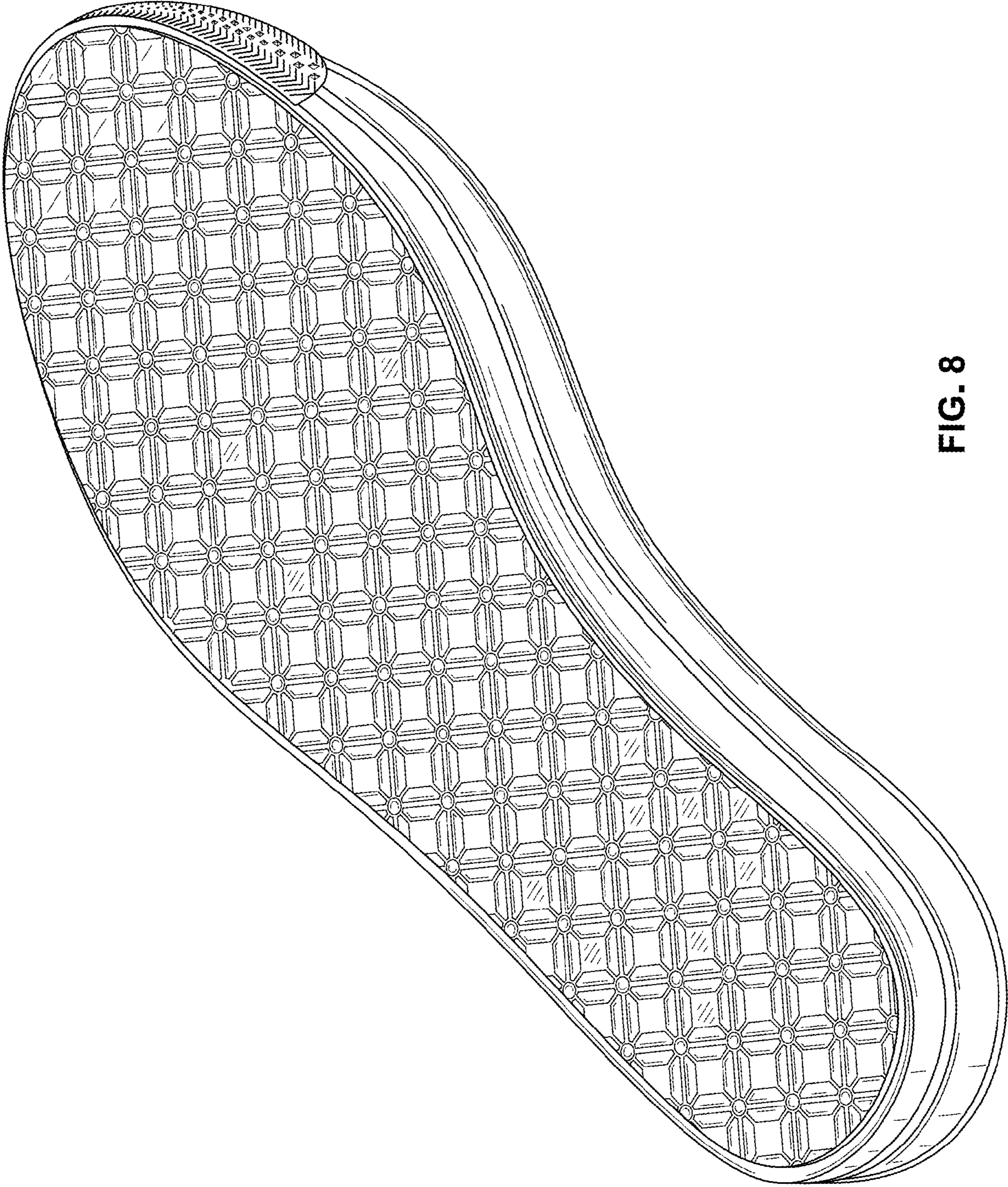


FIG. 8

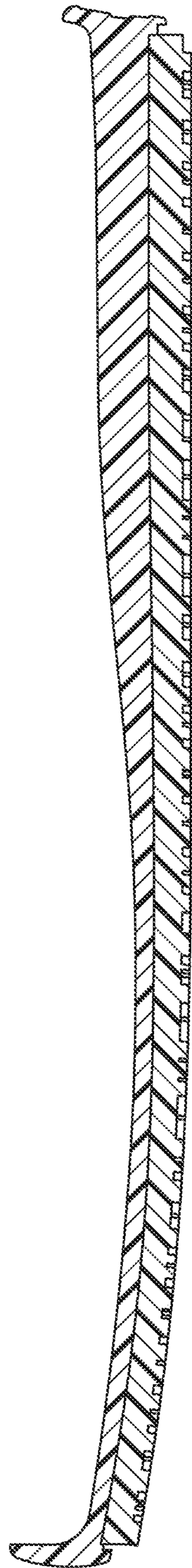


FIG. 9

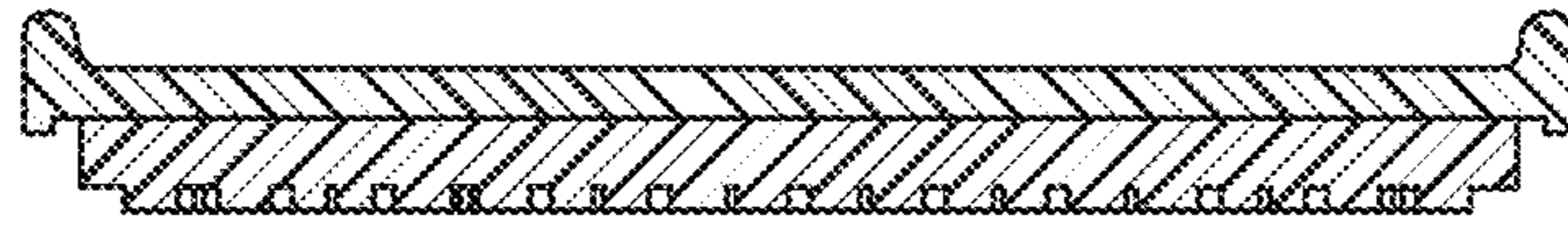


FIG. 10

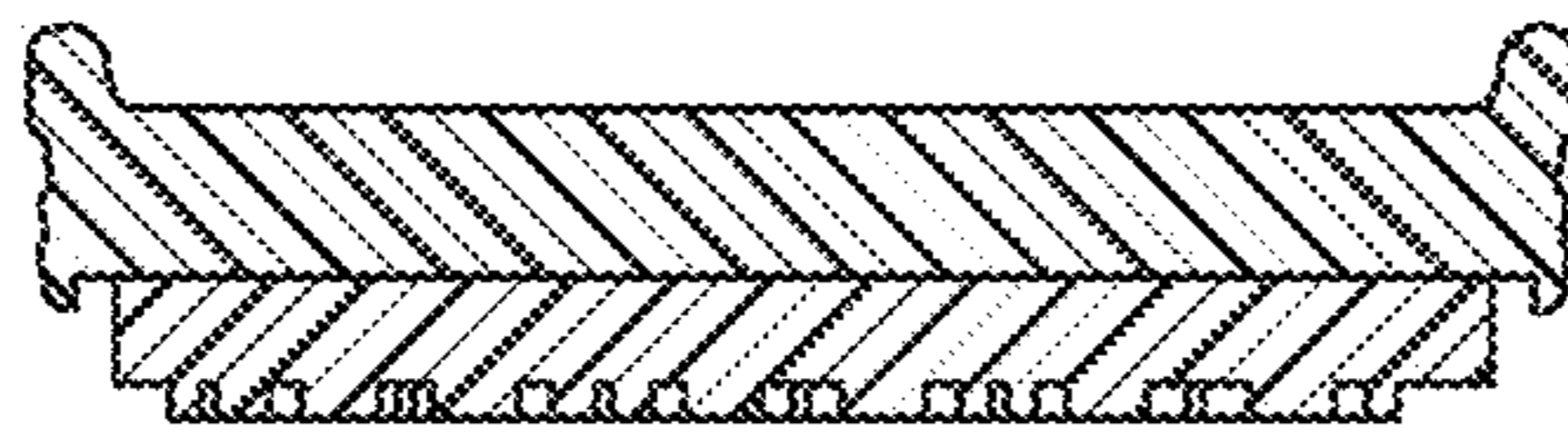


FIG. 11

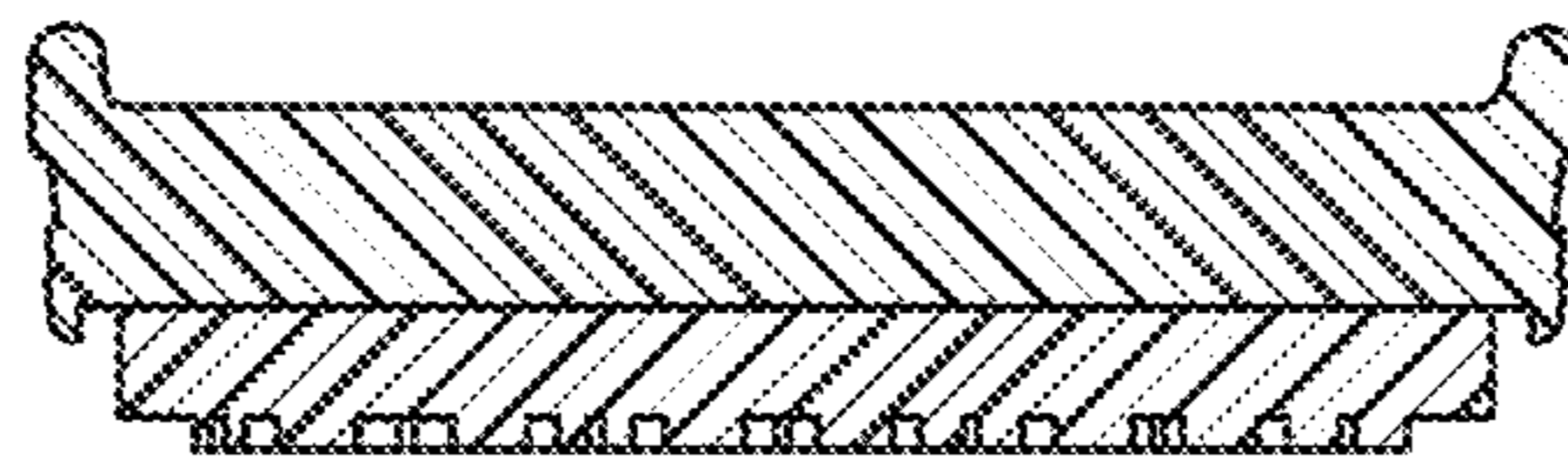


FIG. 12