



US00D969467S

(12) **United States Design Patent** (10) **Patent No.:** **US D969,467 S**
Bowman (45) **Date of Patent:** **** Nov. 15, 2022**

(54) **SHOE**
(71) Applicant: **Andrew James Bowman,**
Lanesborough, MA (US)
(72) Inventor: **Andrew James Bowman,**
Lanesborough, MA (US)
(**) Term: **15 Years**
(21) Appl. No.: **29/748,654**
(22) Filed: **Aug. 31, 2020**

original-rivingston-boat-shoe/35196M.html?dwvar_35196M_color=STS19319#cgid=men-shoes-boat-shoes&start=1 (Year: 2019).*

(Continued)

Primary Examiner — T Chase Nelson
(74) *Attorney, Agent, or Firm* — Hamilton, Brook, Smith & Reynolds, P.C.

(57) **CLAIM**

The ornamental design for a shoe, as shown and described.

DESCRIPTION

The patent or application file contains at least one drawing executed in color. Copies of this patent or patent application publication with color drawing(s) will be provided by the Office upon request and payment of the necessary fee.

FIG. 1 is an upper perspective view of an embodiment of a shoe in the present invention.

FIG. 2 is a lower perspective view thereof.

FIG. 3 is a top view thereof.

FIG. 4 is a bottom view thereof.

FIG. 5 is a front view thereof.

FIG. 6 is a rear view thereof.

FIG. 7 is a right side view thereof.

FIG. 8 is a left side view thereof.

FIG. 9 is an upper perspective photographic view of another embodiment of a shoe in the present invention in which the shoe is shown having a darkened appearance.

FIG. 10 is a lower perspective view thereof.

FIG. 11 is a top view thereof.

FIG. 12 is a bottom view thereof.

FIG. 13 is a front view thereof.

FIG. 14 is a rear view thereof.

FIG. 15 is a right side view thereof; and,

FIG. 16 is a left side view thereof.

The even-length broken lines throughout the figure views that represent stitching, show stitching which does not form a part of the claimed design. Additional even-length broken lines depict portions of the shoe that also do not form a part of the claimed design. The dot-dash broken lines show the boundaries of the claimed design, and also form no part thereof.

(Continued)

Related U.S. Application Data

(63) Continuation-in-part of application No. 29/741,745, filed on Jul. 15, 2020.

(51) **LOC (13) Cl.** **02-04**

(52) **U.S. Cl.**
USPC **D2/924**

(58) **Field of Classification Search**
USPC D2/264, 268, 896, 902, 904, 906–908,
D2/909, 910, 912, 191, 923, 924, 929,
(Continued)

(56) **References Cited**

U.S. PATENT DOCUMENTS

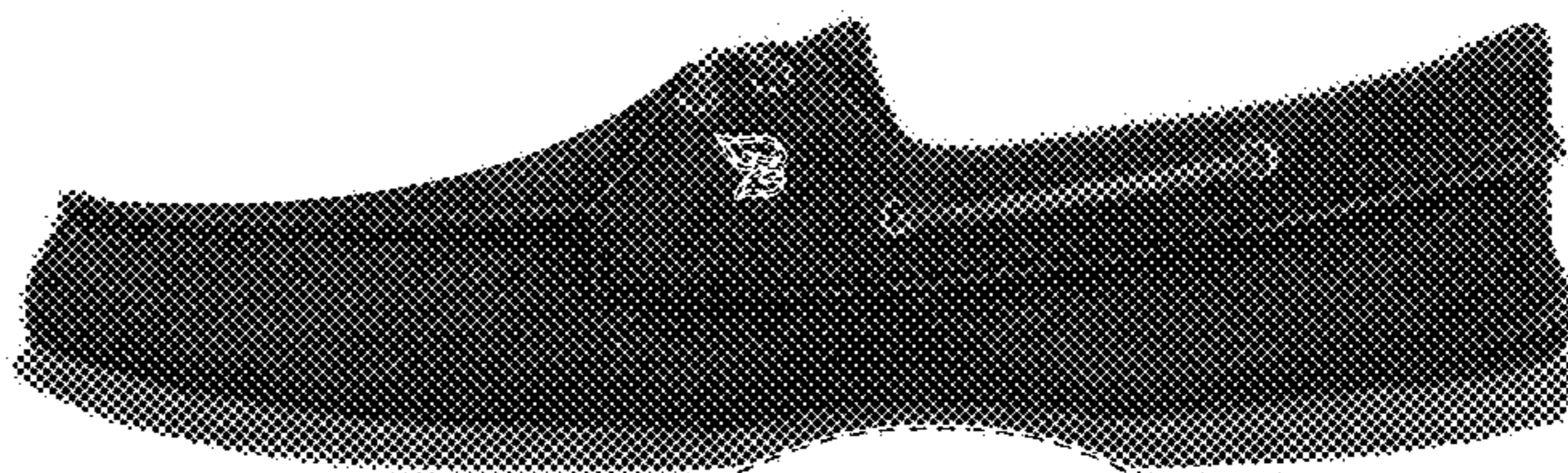
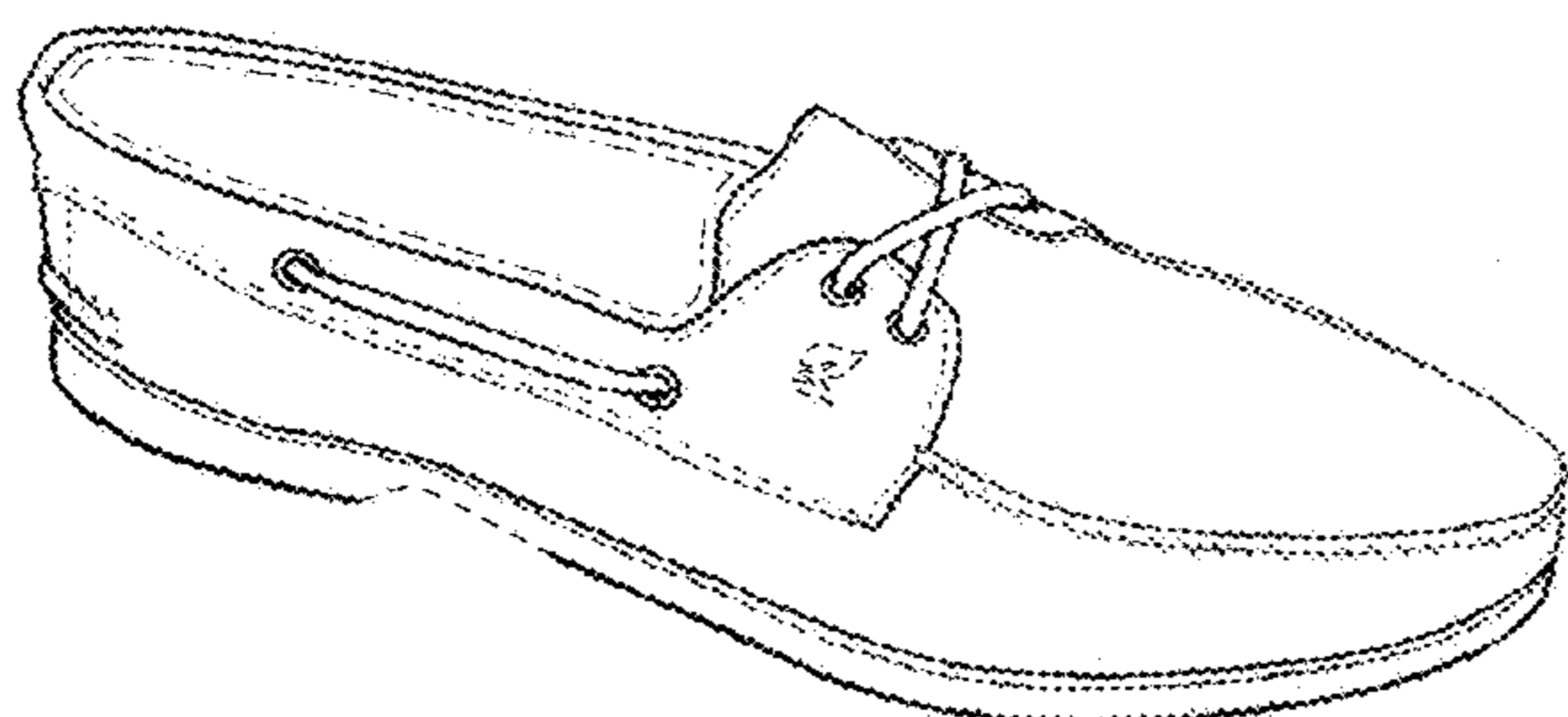
D95,427 S * 4/1935 Hoffenberg D2/924
D117,585 S * 11/1939 Sperry D2/953
(Continued)

FOREIGN PATENT DOCUMENTS

EM 001921545-0009 * 9/2011
EM 001304737-0217 * 11/2011
(Continued)

OTHER PUBLICATIONS

Sperry, Men's Gold Cup Authentic Original Rivingston Boat Shoe—Boat Shoes, Sperry.com, (2019), [site visited Dec. 17, 2021], Available from URL: <https://www.sperry.com/en/gold-cup-authentic->



The shoe in the present invention can be worn by a user while on a boat for use as a boat shoe.

**1 Claim, 15 Drawing Sheets
(8 of 15 Drawing Sheet(s) Filed in Color)**

(58) Field of Classification Search

USPC D2/931, 941, 951, 953; 36/3 B, 22 R, 36/24.5, 25 R, 28, 32 R, 59 C, 67 A, 103
CPC A43B 13/00; A43B 13/02; A43B 13/023; A43B 13/10; A43B 13/12; A43B 13/14; A43B 13/141; A43B 13/143; A43B 13/16; A43B 13/18; A43B 13/181; A43B 13/223; A43B 13/20; A43B 13/22; A43B 13/28; A43B 13/30; A43B 13/32; A43B 13/34; A43B 13/36; A43B 5/00

See application file for complete search history.

(56) References Cited

U.S. PATENT DOCUMENTS

2,212,610 A * 8/1940 Lyness A43B 3/14 36/11
D148,202 S * 12/1947 Underberger D2/924
D293,385 S * 12/1987 Famolare D2/924
D296,606 S * 7/1988 Sorofman D2/924
4,793,079 A * 12/1988 Vico A43B 3/14 12/142 MC
D323,922 S * 2/1992 Emmert D2/924
D355,526 S * 2/1995 Duclos D2/924
5,575,087 A * 11/1996 Ehrhart A43B 3/14 12/142 MC
D494,345 S * 8/2004 Werman D2/923
D509,646 S * 9/2005 Della Valle D2/924
D613,483 S * 4/2010 Della Valle D2/923
D624,288 S * 9/2010 Choi D2/896
D627,142 S * 11/2010 Spring A43B 3/0005 D2/923
D628,776 S * 12/2010 Cofinco A43B 7/125 D2/908
D632,885 S * 2/2011 Grangaard D2/977
D634,519 S * 3/2011 Choi A43B 3/14 D2/902
D669,665 S * 10/2012 Van Zyll De Jong ... A43B 3/14 D2/945
D695,500 S * 12/2013 Bove D2/923
D697,291 S * 1/2014 Zaedow D2/923
D709,272 S * 7/2014 Del Biondi A43B 7/148 D2/923
D710,575 S * 8/2014 Hardy A43B 13/184 D2/896
D717,026 S * 11/2014 Del Biondi A43B 7/144 D2/903

D756,079 S * 5/2016 Spring A43B 5/08 D2/923
D781,029 S * 3/2017 Freedman A43B 13/125 D2/908
D784,663 S * 4/2017 Freedman D2/908
D786,542 S * 5/2017 Fu D2/923
D822,962 S * 7/2018 Ringdal D2/923
D842,592 S * 3/2019 Radabaugh D2/923
D871,032 S * 12/2019 Radabaugh D2/923
D884,320 S * 5/2020 Fongher D2/944
D938,704 S * 12/2021 Kuerbis D2/951
D942,743 S * 2/2022 Viganò D2/960
D946,869 S * 3/2022 Sartori D2/947
D948,180 S * 4/2022 Lai D2/944
D948,181 S * 4/2022 Lai D2/944
2003/0136023 A1 * 7/2003 Chen A43B 7/125 36/3 R
2007/0022628 A1 * 2/2007 Juan A43B 13/125 36/3 B
2007/0033837 A1 * 2/2007 Fulton A43B 13/223 36/59 R
2008/0295361 A1 * 12/2008 Johnson A43B 21/26 36/103
2009/0038182 A1 * 2/2009 Lans A43B 3/0005 36/136
2010/0024253 A1 * 2/2010 Boyle A43B 5/08 36/114
2010/0281714 A1 * 11/2010 Carboy A43B 13/14 36/25 R
2013/0031805 A1 * 2/2013 Crowley, II A43B 7/144 36/103
2014/0026438 A1 * 1/2014 Cortez A43B 13/184 36/28
2014/0150298 A1 * 6/2014 Crowley A43B 7/148 36/103
2015/0181976 A1 * 7/2015 Cooper A43B 13/181 36/28
2016/0206037 A1 * 7/2016 McCormick A43B 5/08
2017/0065027 A1 * 3/2017 Hyde A43C 1/006

FOREIGN PATENT DOCUMENTS

EM 003124924-0001 * 5/2016
EM 008325013-0003 * 12/2020
EM 008325013-0001 * 3/2021

OTHER PUBLICATIONS

Sperry, Men's A/O 2-Eye Plush Varsity Boat Shoe | Loafersand Slip-Ons, Amazon.com, (Dec. 17, 2021), [site visited, Dec. 17, 2021], Available from URL: https://www.amazon.com/dp/B000FK1TNM/ref=cm_sw_em_r_mt_dp_QVG2KY9XD0G5VGFFYVSD (Year: 2021).*

* cited by examiner

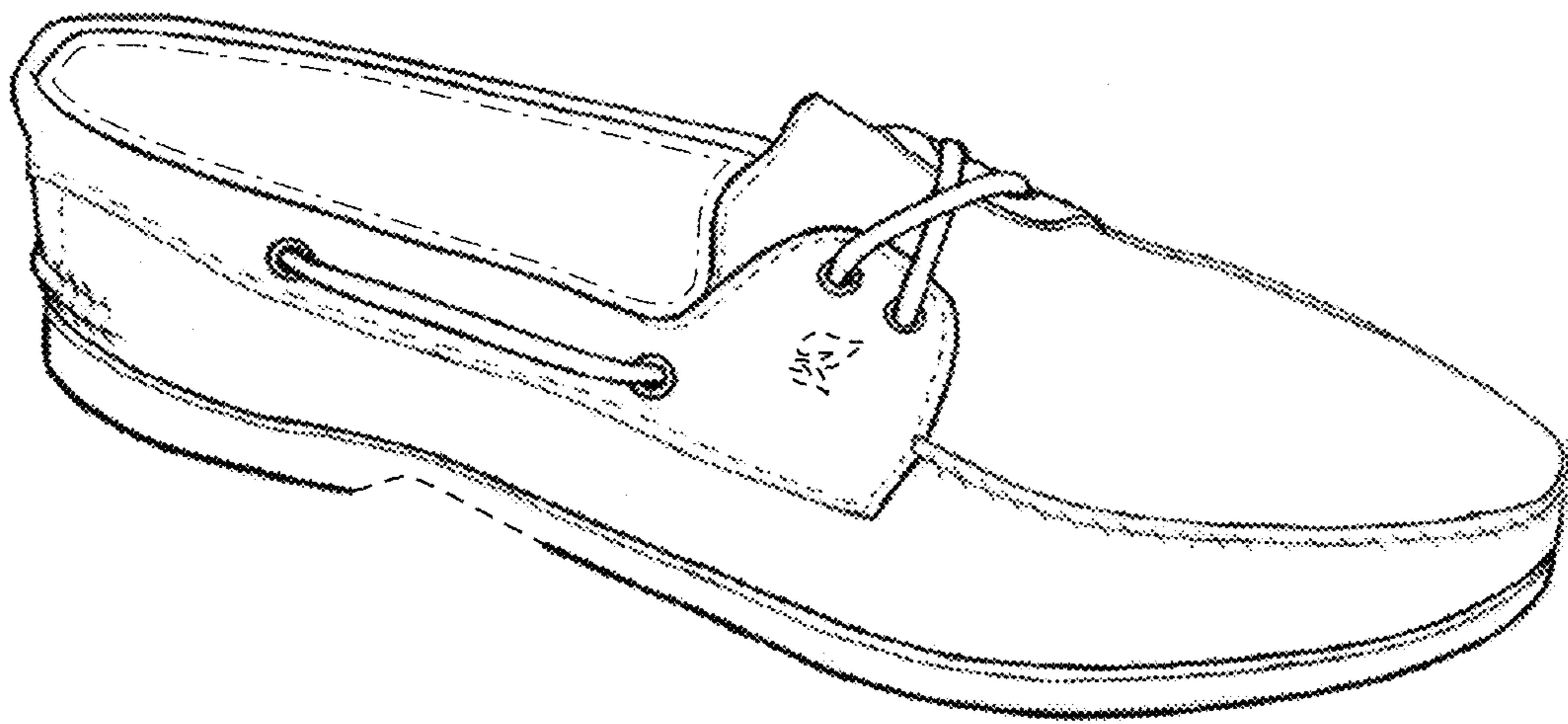


FIG. 1

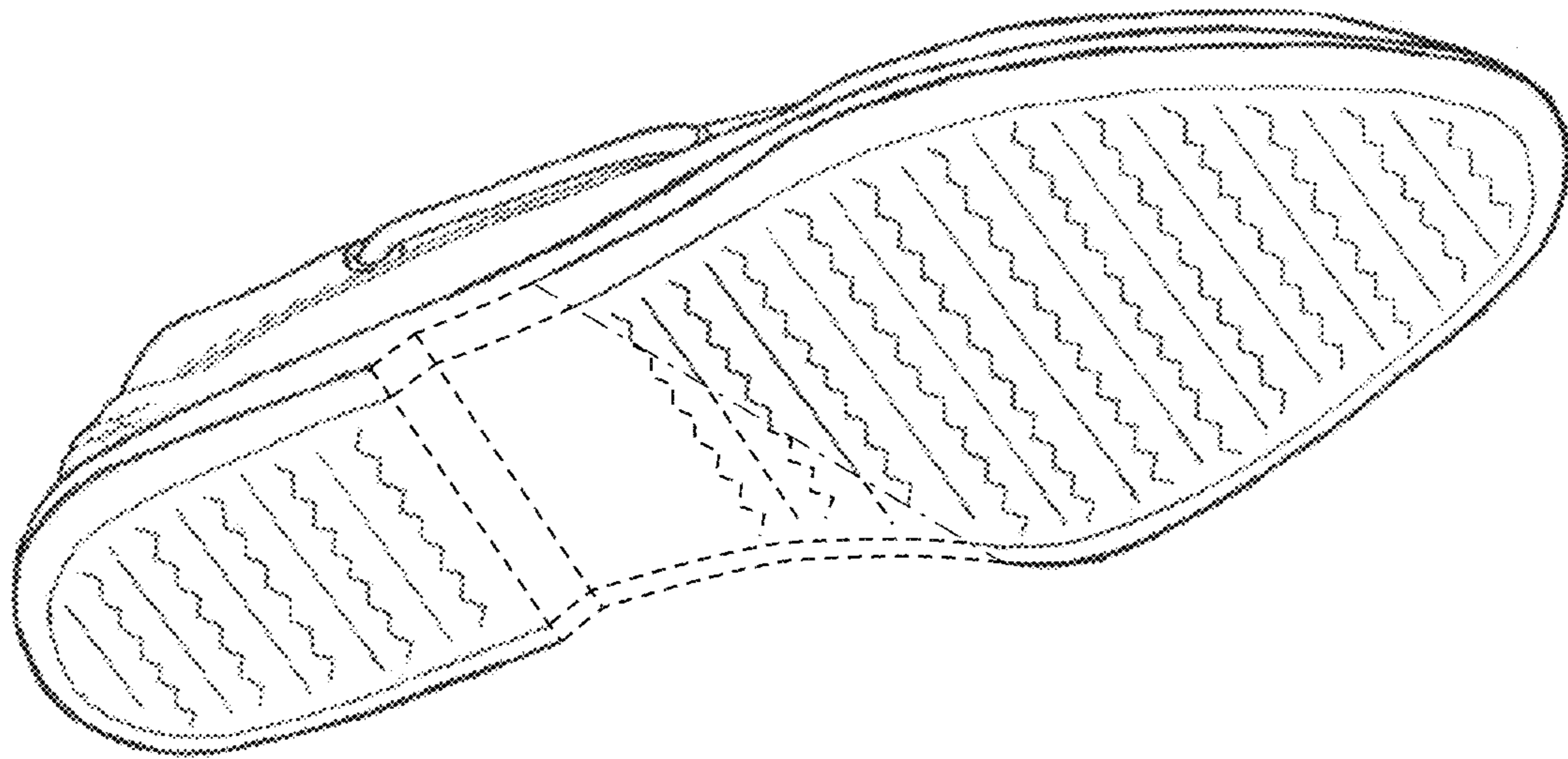


FIG. 2

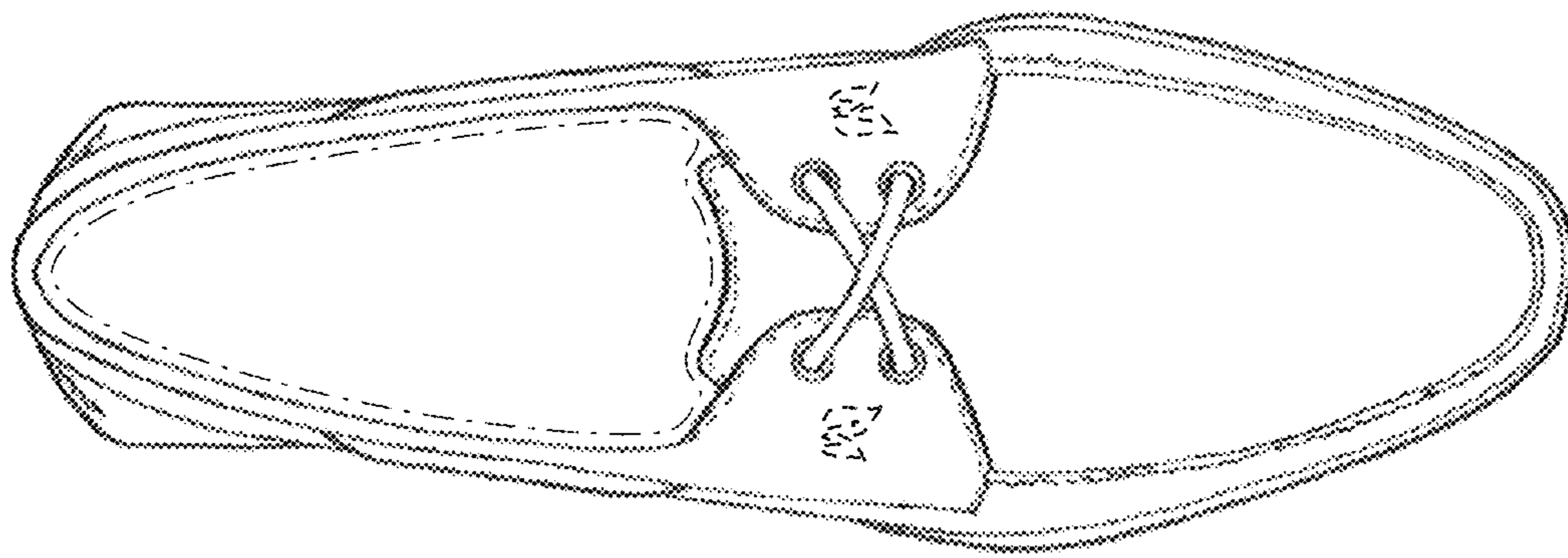


FIG. 3

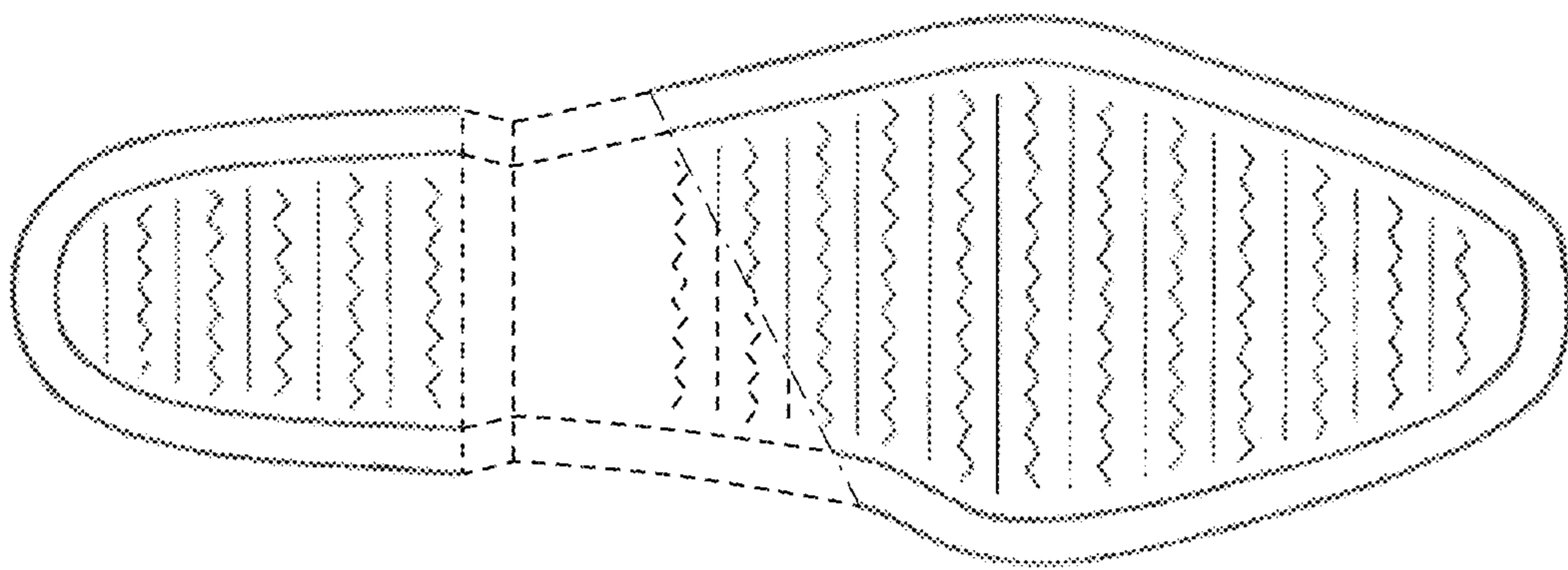


FIG. 4

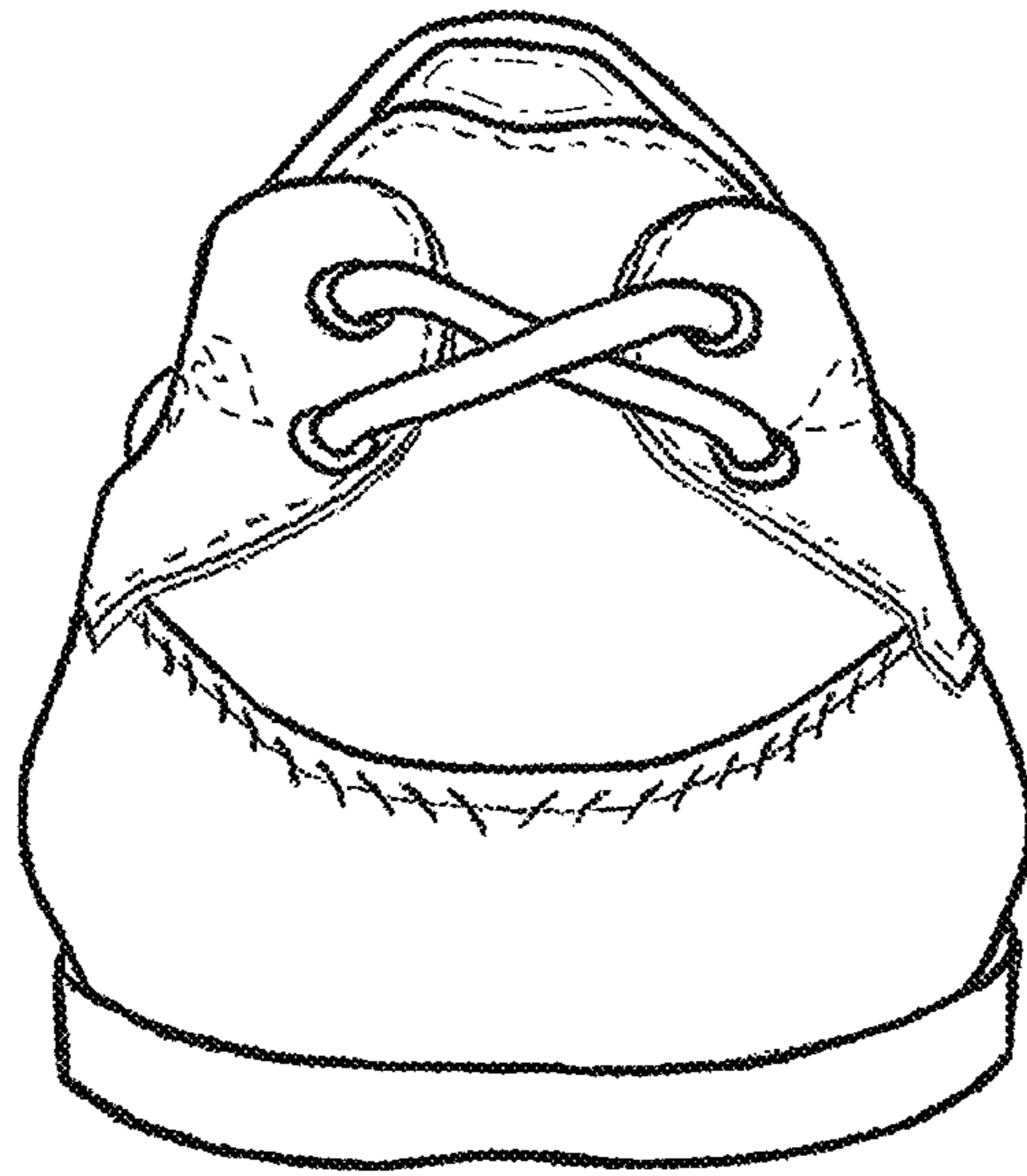


FIG. 5

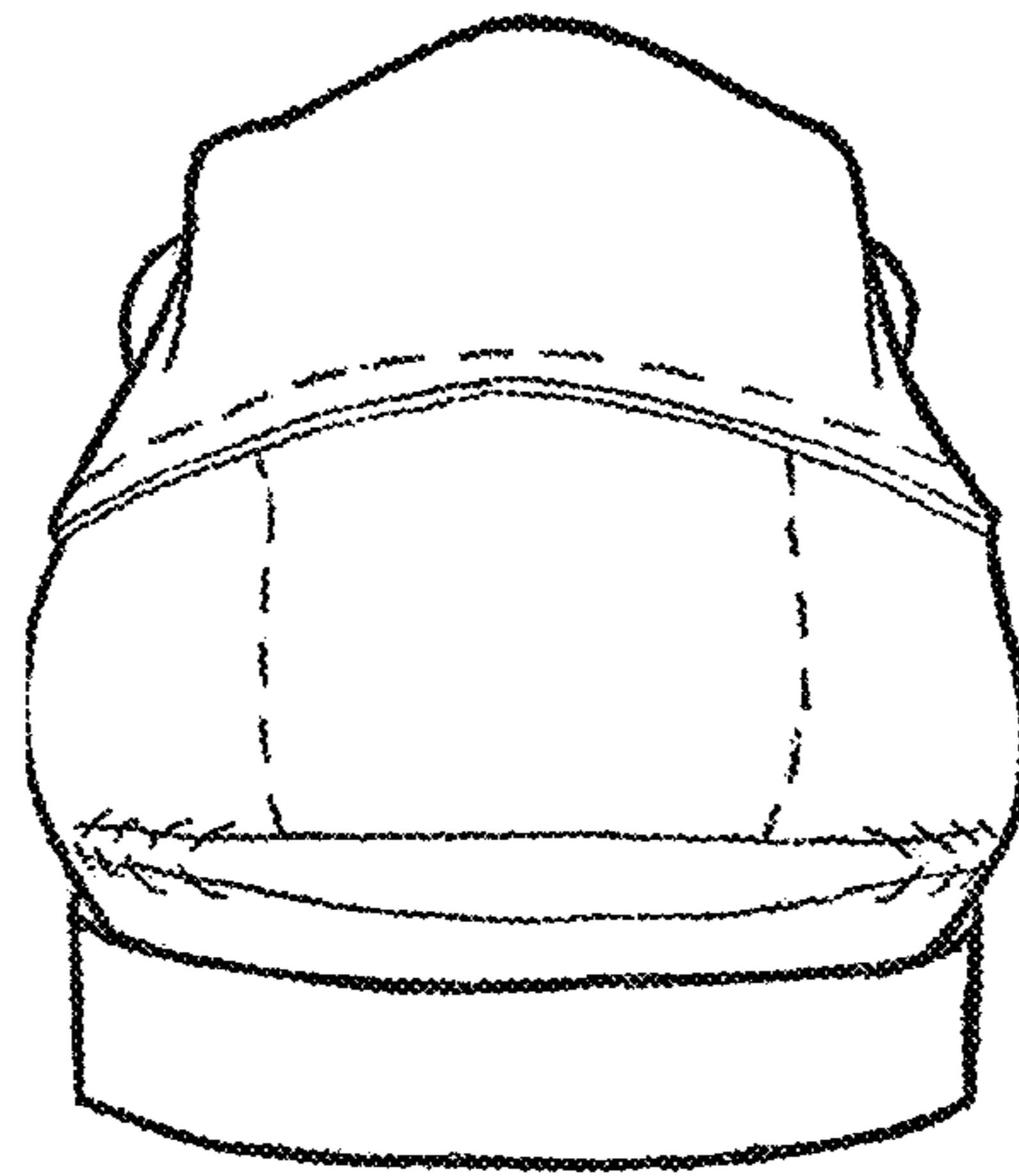


FIG. 6

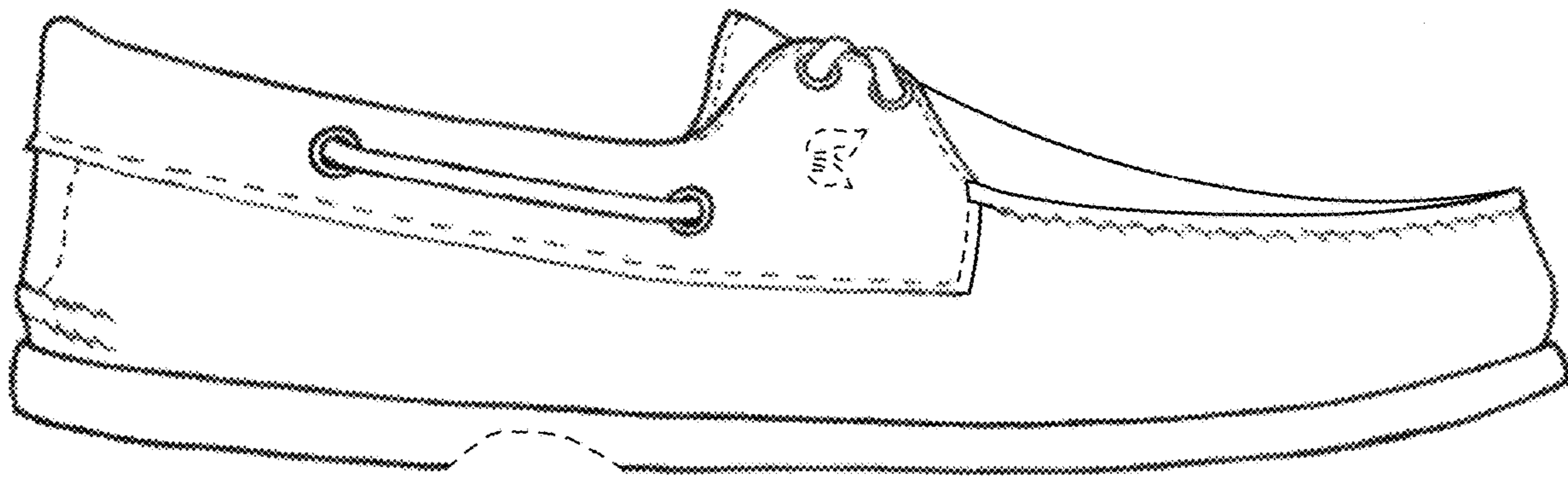


FIG. 7

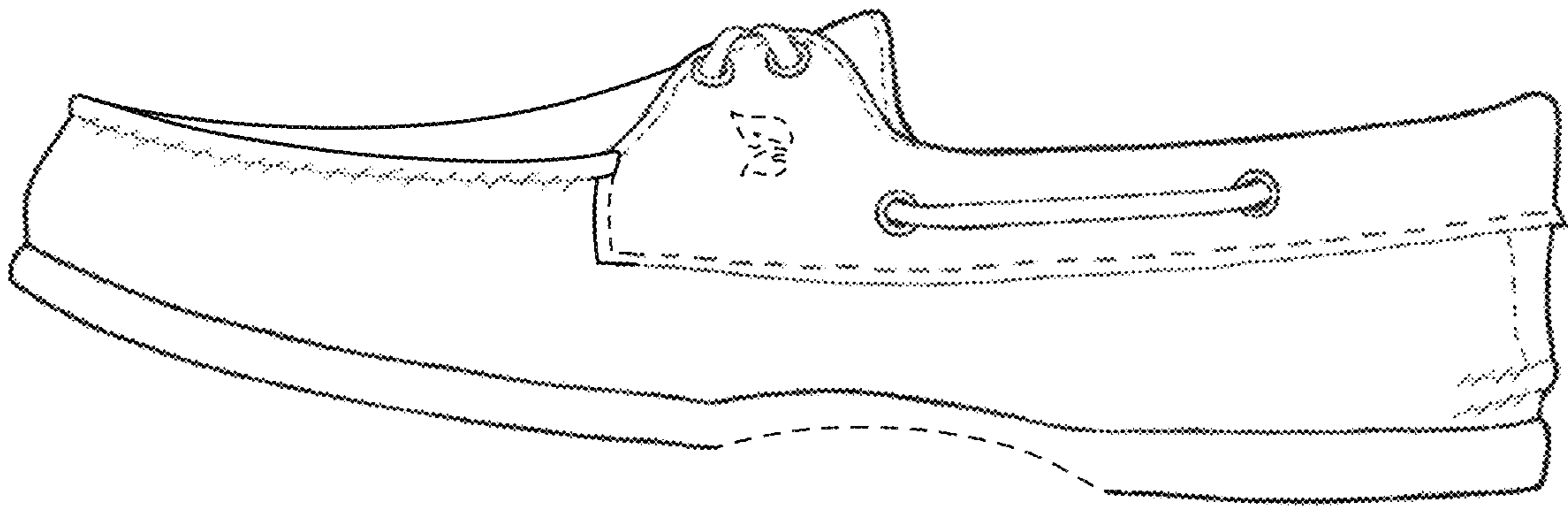


FIG. 8



FIG. 9

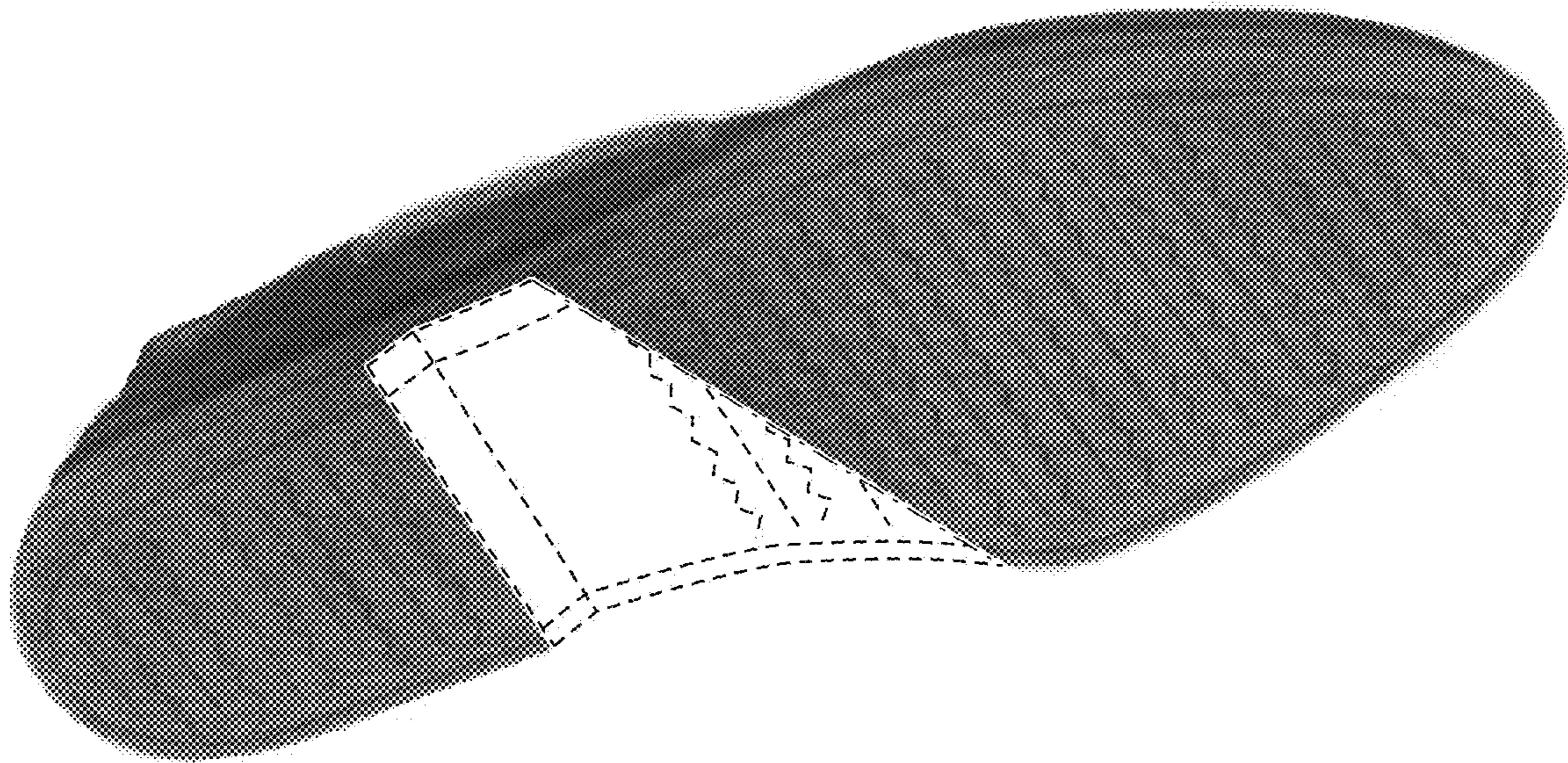


FIG. 10



FIG. 11

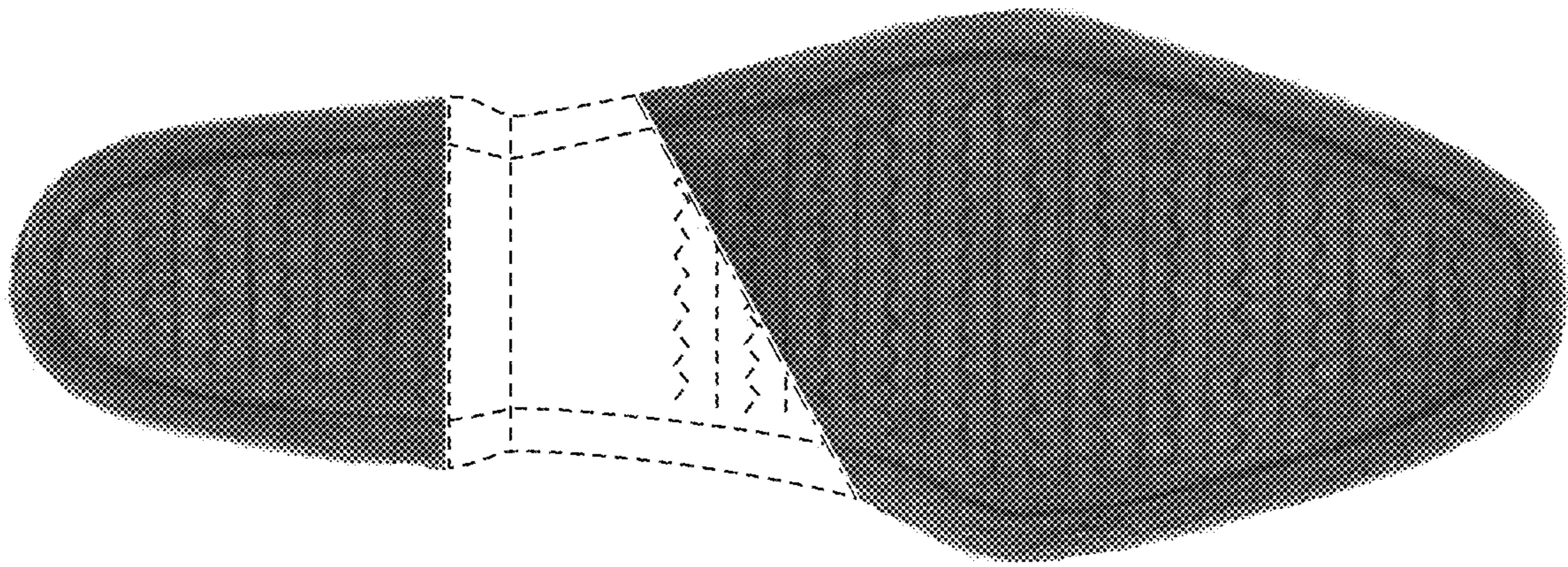


FIG. 12



FIG. 13



FIG. 14



FIG. 15



FIG. 16

UNITED STATES PATENT AND TRADEMARK OFFICE
CERTIFICATE OF CORRECTION

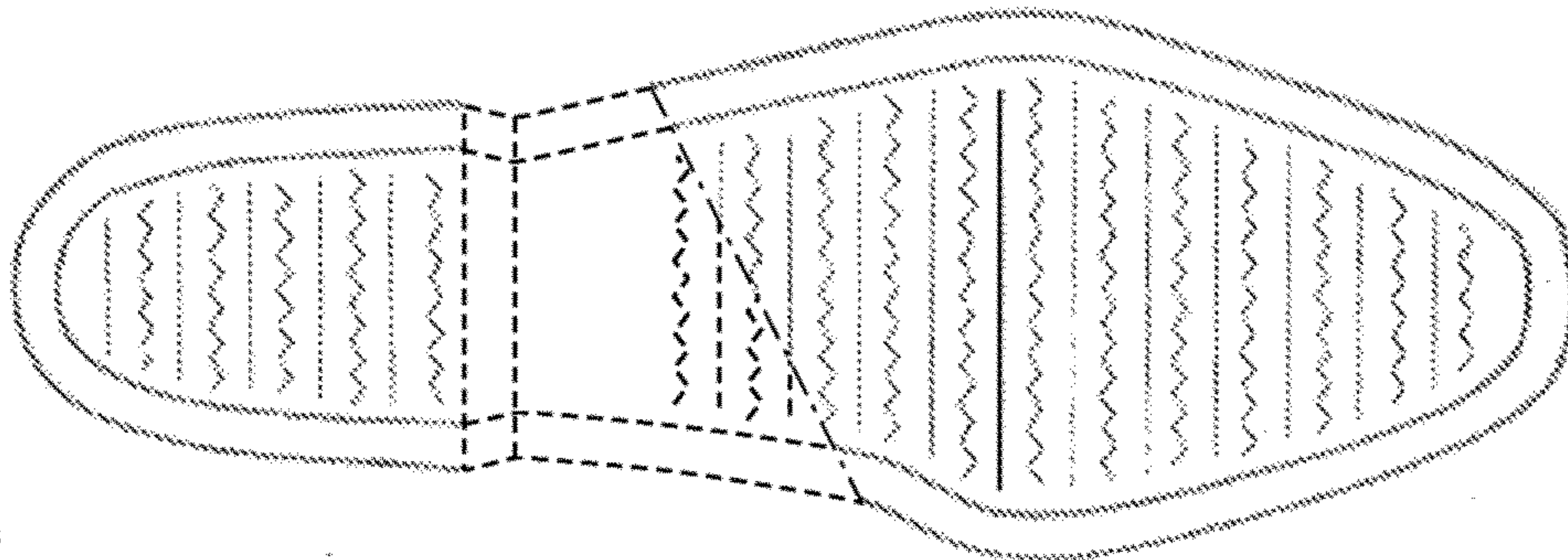
PATENT NO. : D969,467 S
APPLICATION NO. : 29/748654
DATED : November 15, 2022
INVENTOR(S) : Andrew J. Bowman

Page 1 of 1

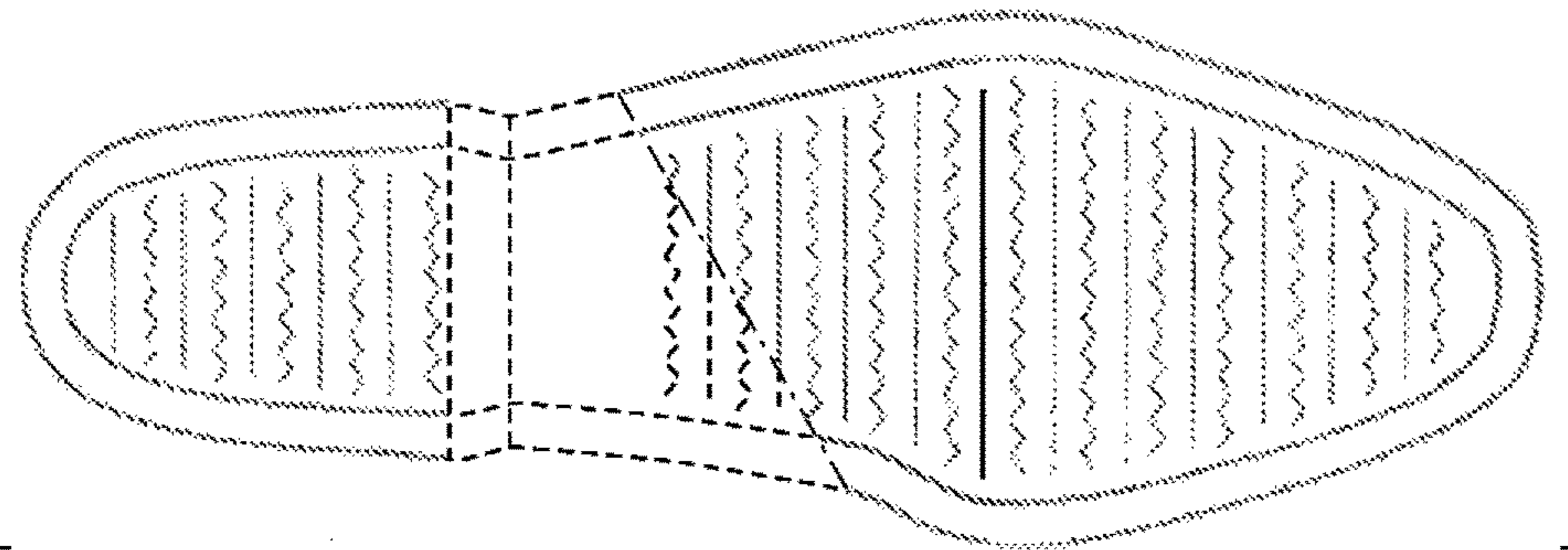
It is certified that error appears in the above-identified patent and that said Letters Patent is hereby corrected as shown below:

In the Drawings

Please delete FIG. 4:



And insert FIG. 4:



Signed and Sealed this
Sixteenth Day of May, 2023
Katherine Kelly Vidal

Katherine Kelly Vidal
Director of the United States Patent and Trademark Office