



US00D969456S

(12) **United States Design Patent** (10) **Patent No.:** **US D969,456 S**
Beaulieu et al. (45) **Date of Patent:** **** Nov. 15, 2022**

(54) **GARMENT**

- (71) Applicant: **LULULEMON ATHLETICA CANADA INC.**, Vancouver (CA)
- (72) Inventors: **Michelle Alicia Rae Beaulieu**, Vancouver (CA); **Jessica Somaly Tep**, Vancouver (CA)
- (73) Assignee: **LULULEMON ATHLETICA CANADA INC.**, Vancouver (CA)
- (**) Term: **15 Years**
- (21) Appl. No.: **29/765,375**
- (22) Filed: **Jan. 7, 2021**
- (51) **LOC (13) Cl.** **02-02**
- (52) **U.S. Cl.**
USPC **D2/750**
- (58) **Field of Classification Search**
USPC D2/728, 750, 828–830, 840
CPC A41D 1/02; A41D 1/04; A41D 3/00
See application file for complete search history.

(56) **References Cited**

U.S. PATENT DOCUMENTS

D685,160 S *	7/2013	Savage	D2/831
D781,027 S *	3/2017	Zheng	D2/828
D787,160 S *	5/2017	Crowe	D2/750
D809,745 S *	2/2018	Crowe	D2/828
D892,436 S *	8/2020	Francis	D2/750
D916,435 S *	4/2021	Xiao	D2/828
2016/0150847 A1 *	6/2016	Johnson	A42C 5/04 2/202
2018/0343941 A1 *	12/2018	Arnold	A41D 15/00
2019/0289936 A1 *	9/2019	Hourani	A41D 27/207
2021/0052022 A1 *	2/2021	George	A41D 27/24

OTHER PUBLICATIONS

Scuba Oversized Half-Zip Hoodie, reviewed 2021 [online], (retrieved Jun. 29, 2021). Retrieved from the internet, https://shop.lululemon.com/p/womens-outerwear/Scuba-Oversized-12-Zip-Hoodie/_/prod9960807?color=44629 (Year: 2021).*

* cited by examiner

Primary Examiner — Kevin K Rudzinski

Assistant Examiner — J. Thorn, Sr.

(74) *Attorney, Agent, or Firm* — Conneely PC; Joseph Conneely

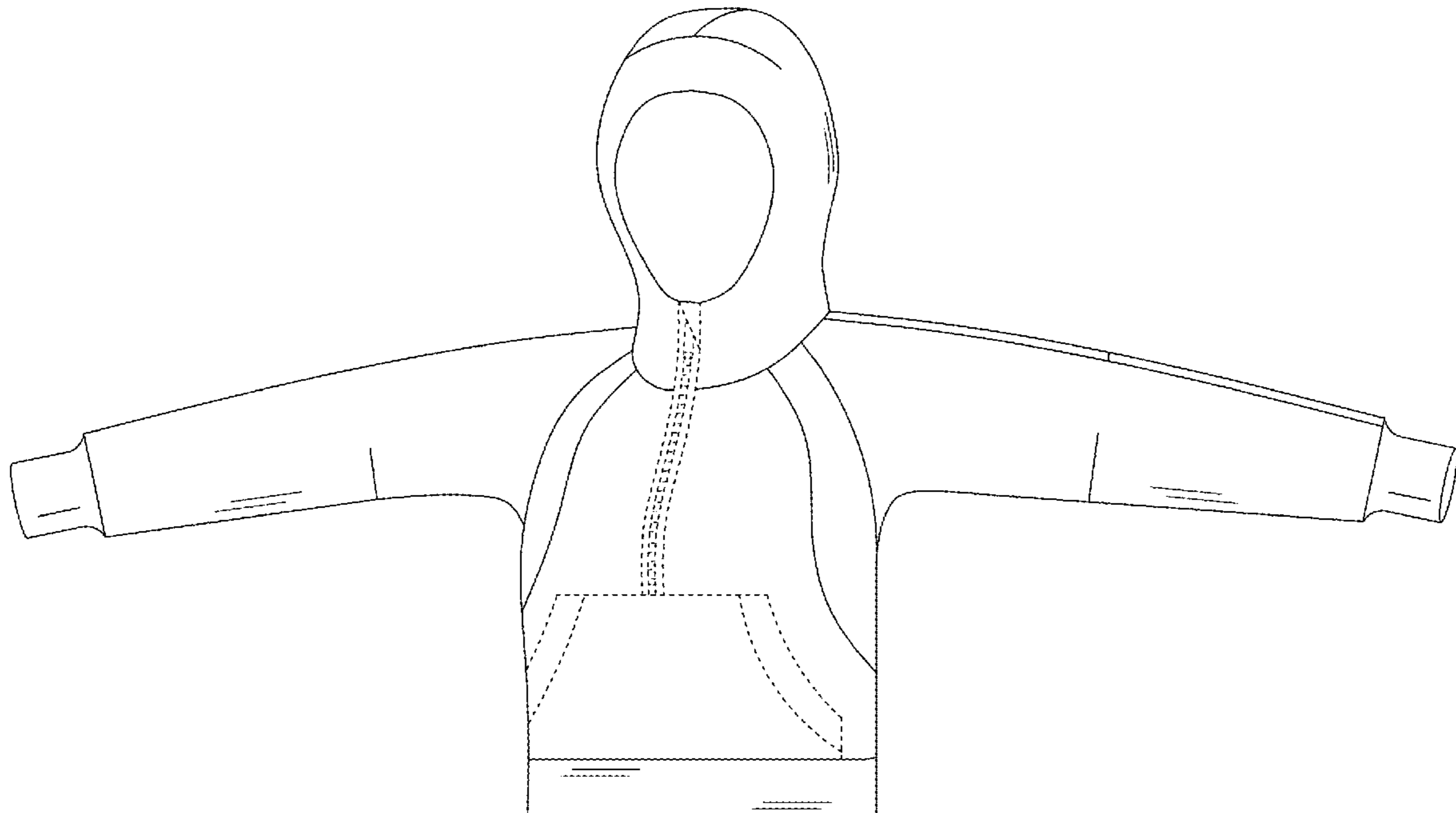
(57) **CLAIM**

The ornamental design for a garment, as shown and described.

DESCRIPTION

FIG. 1 is a front view of a garment according to the design; FIG. 2 is a rear view thereof; FIG. 3 is a right side view thereof; FIG. 4 is a left side view thereof; FIG. 5 is a front perspective view thereof; FIG. 6 is a rear perspective view thereof; FIG. 7 is a front view thereof shown in an environment of use; and, FIG. 8 is a rear view thereof shown in an environment of use. The portions of the garment shown in broken lines in FIGS. 1, 3-5, and 7 do not form part of the claimed design. The broken line showing of the hands, legs, torso, and head in FIG. 7 and of the hands, legs, and torso in FIG. 8 is for the purpose of illustrating portions of the environmental structure and forms no part of the claimed design.

1 Claim, 8 Drawing Sheets



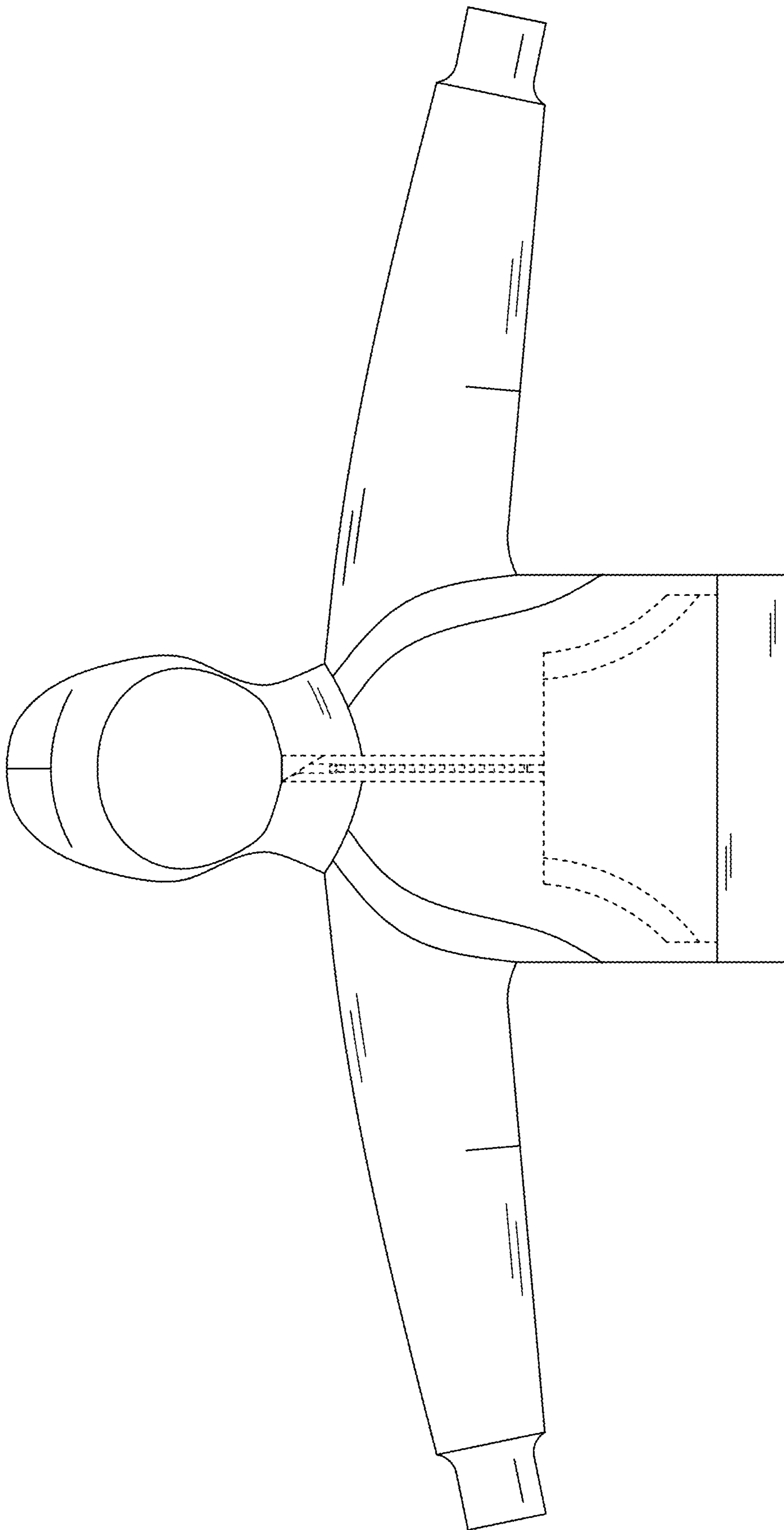


FIG. 1

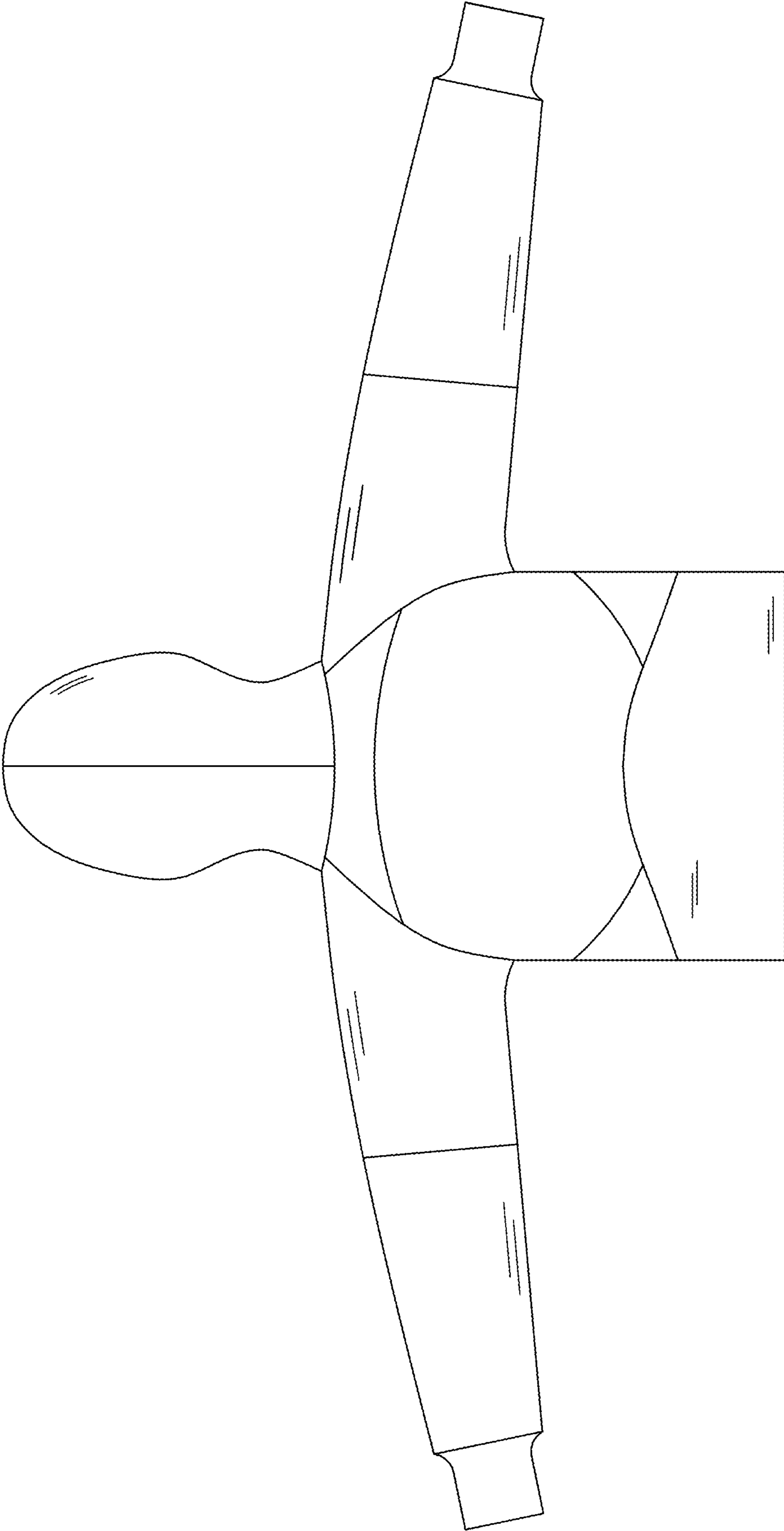


FIG. 2

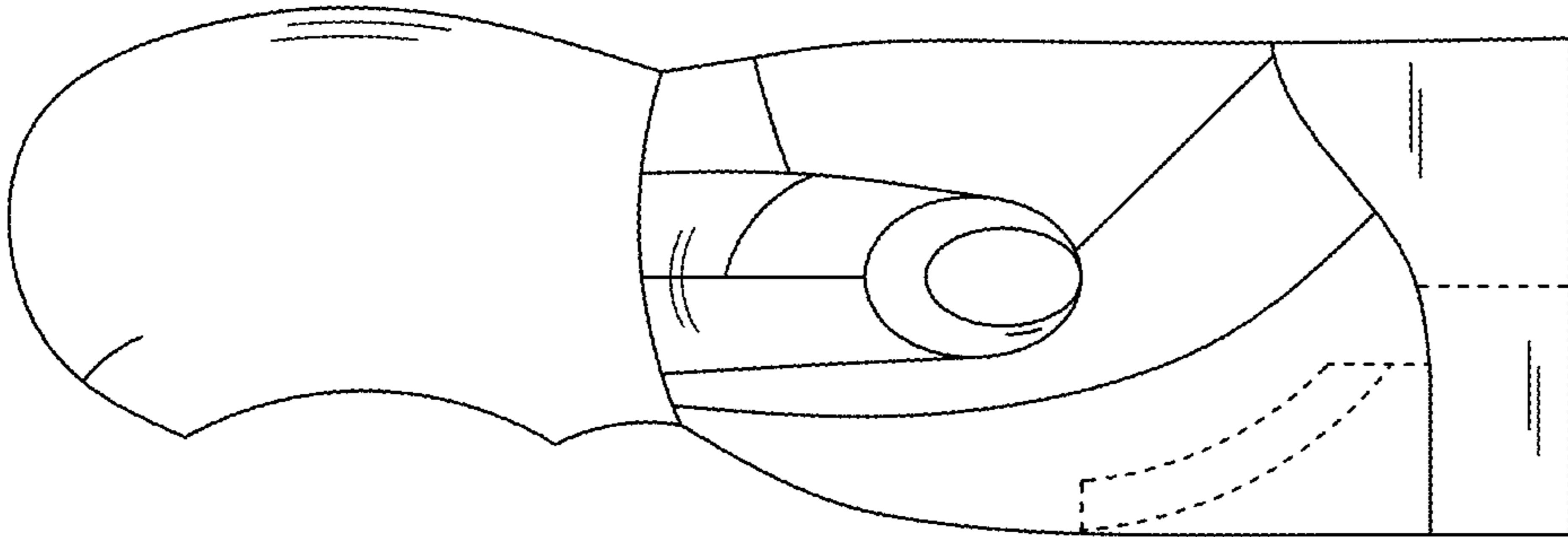


FIG. 3

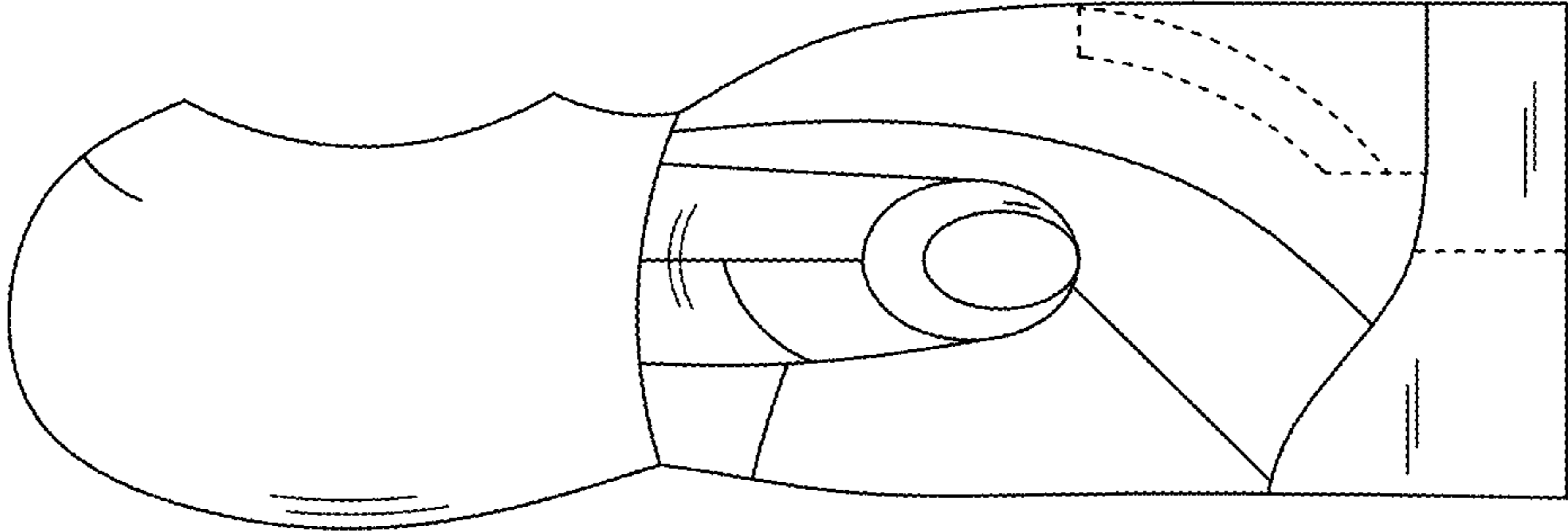


FIG. 4

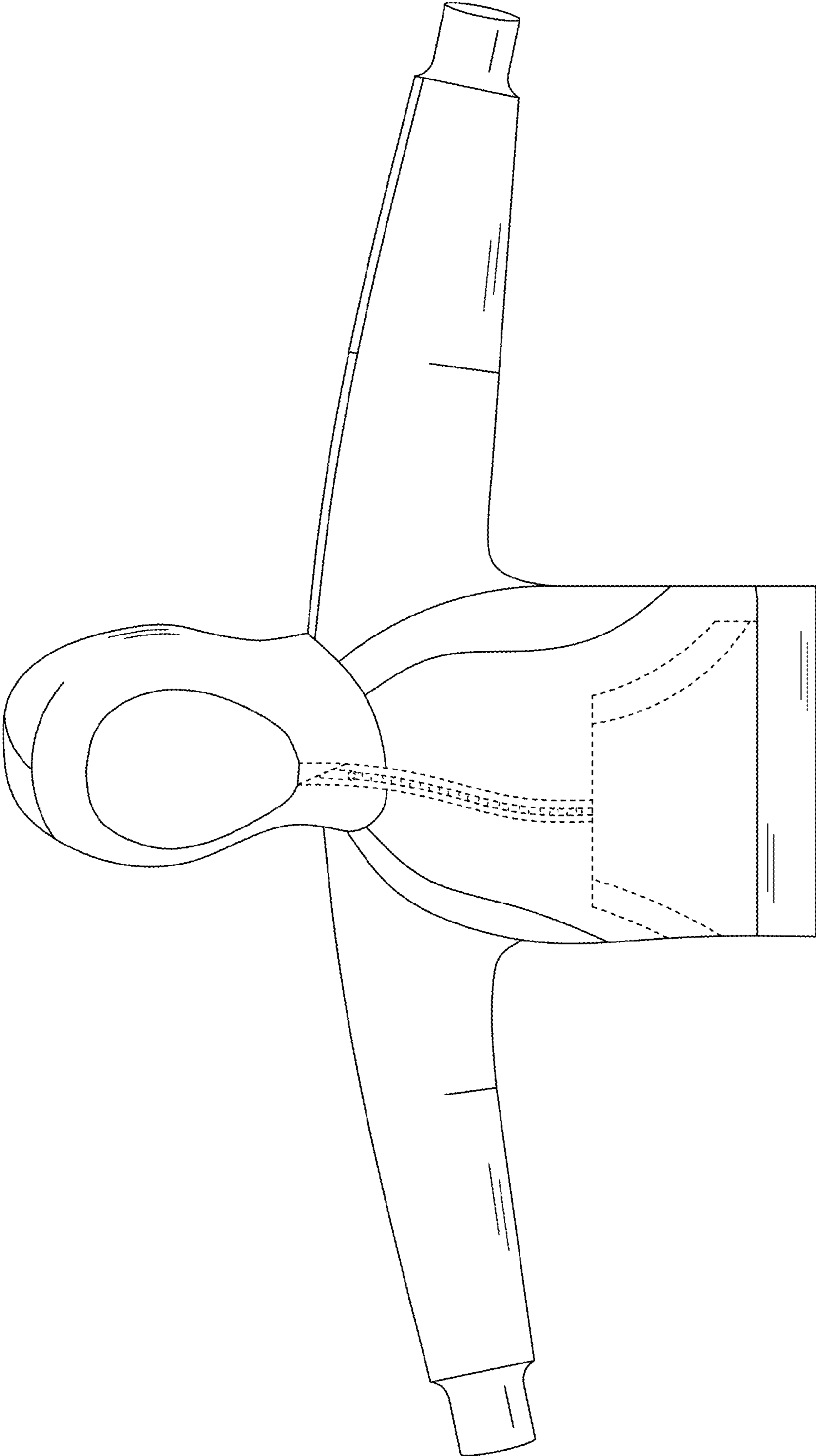


FIG. 5

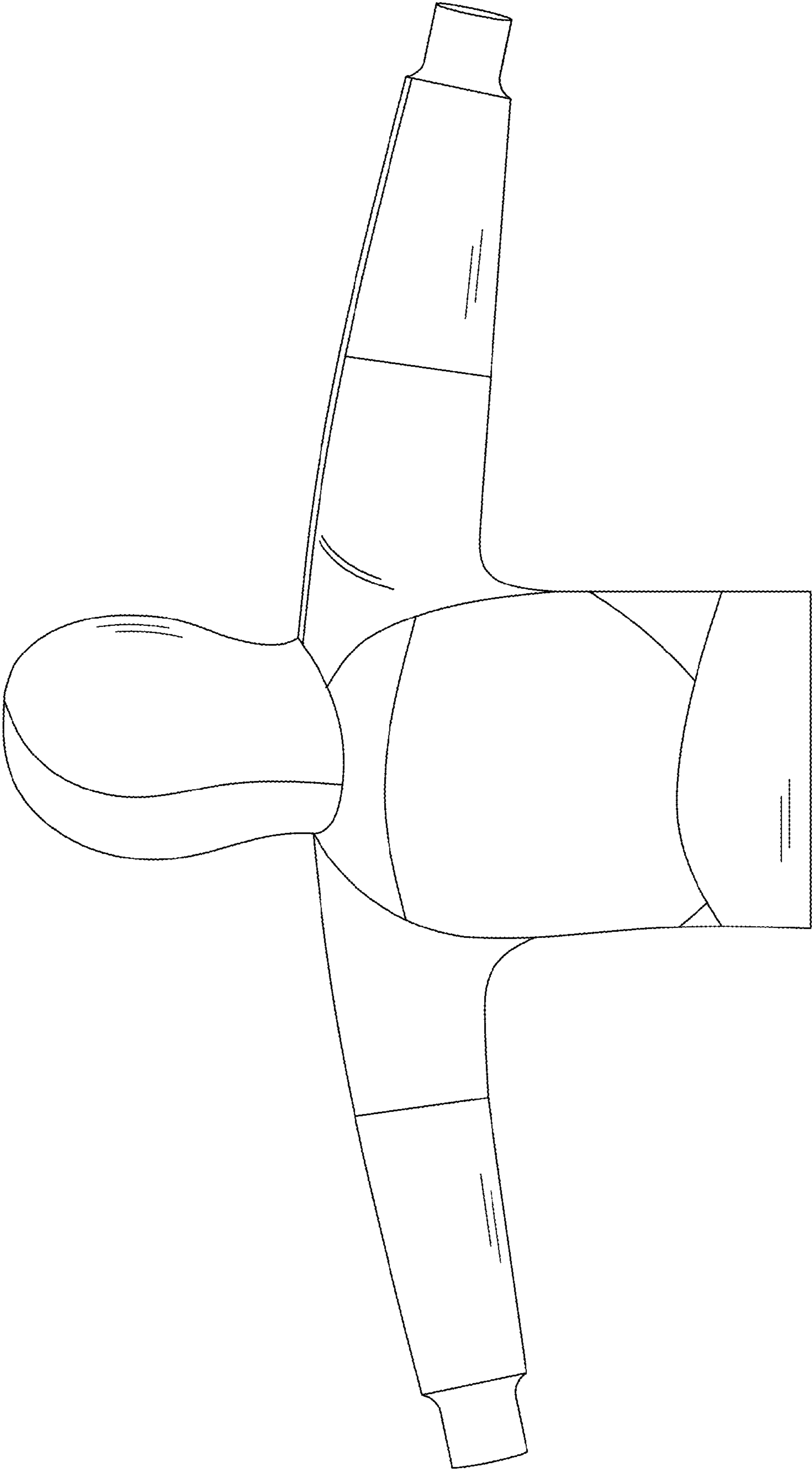


FIG. 6

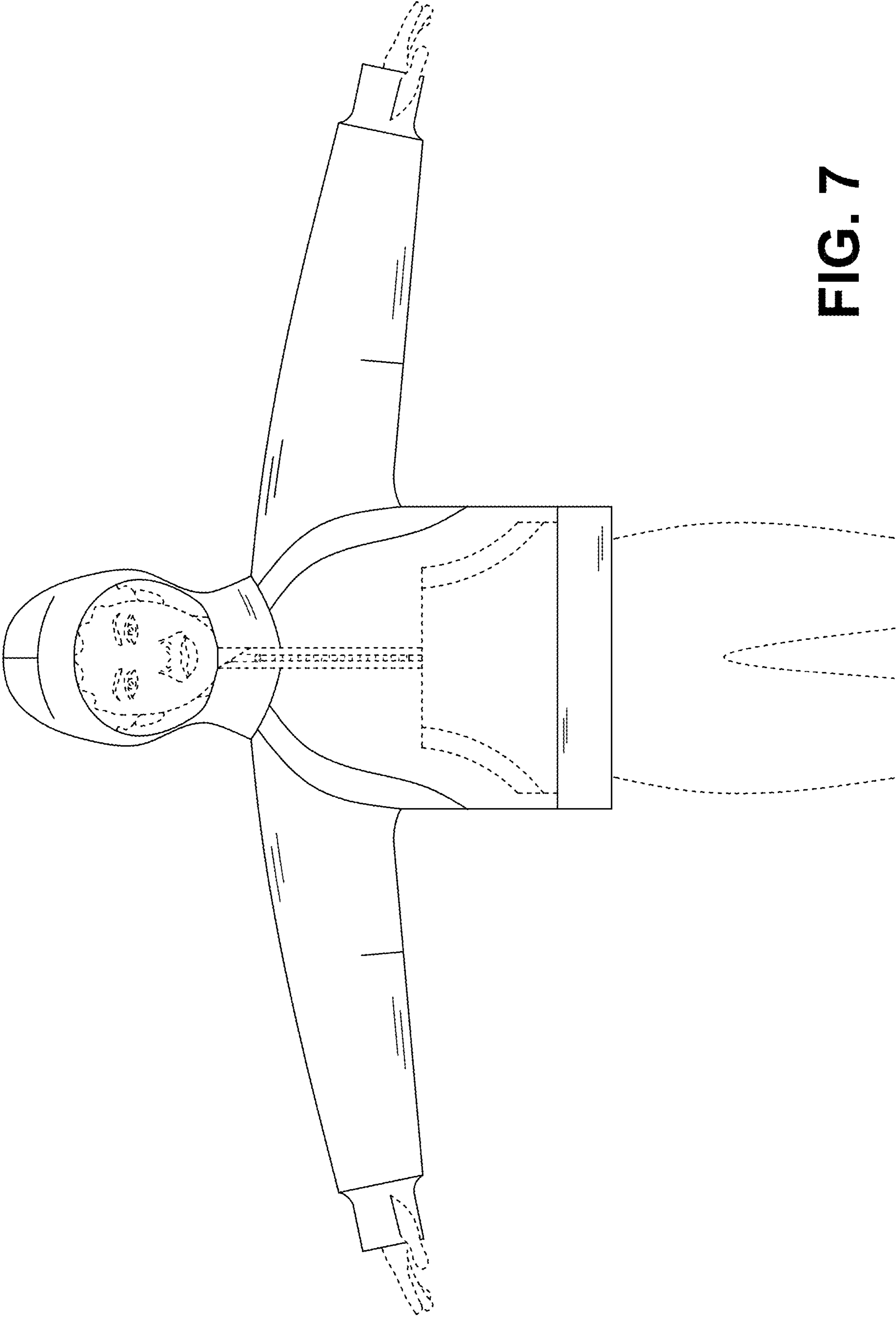


FIG. 7

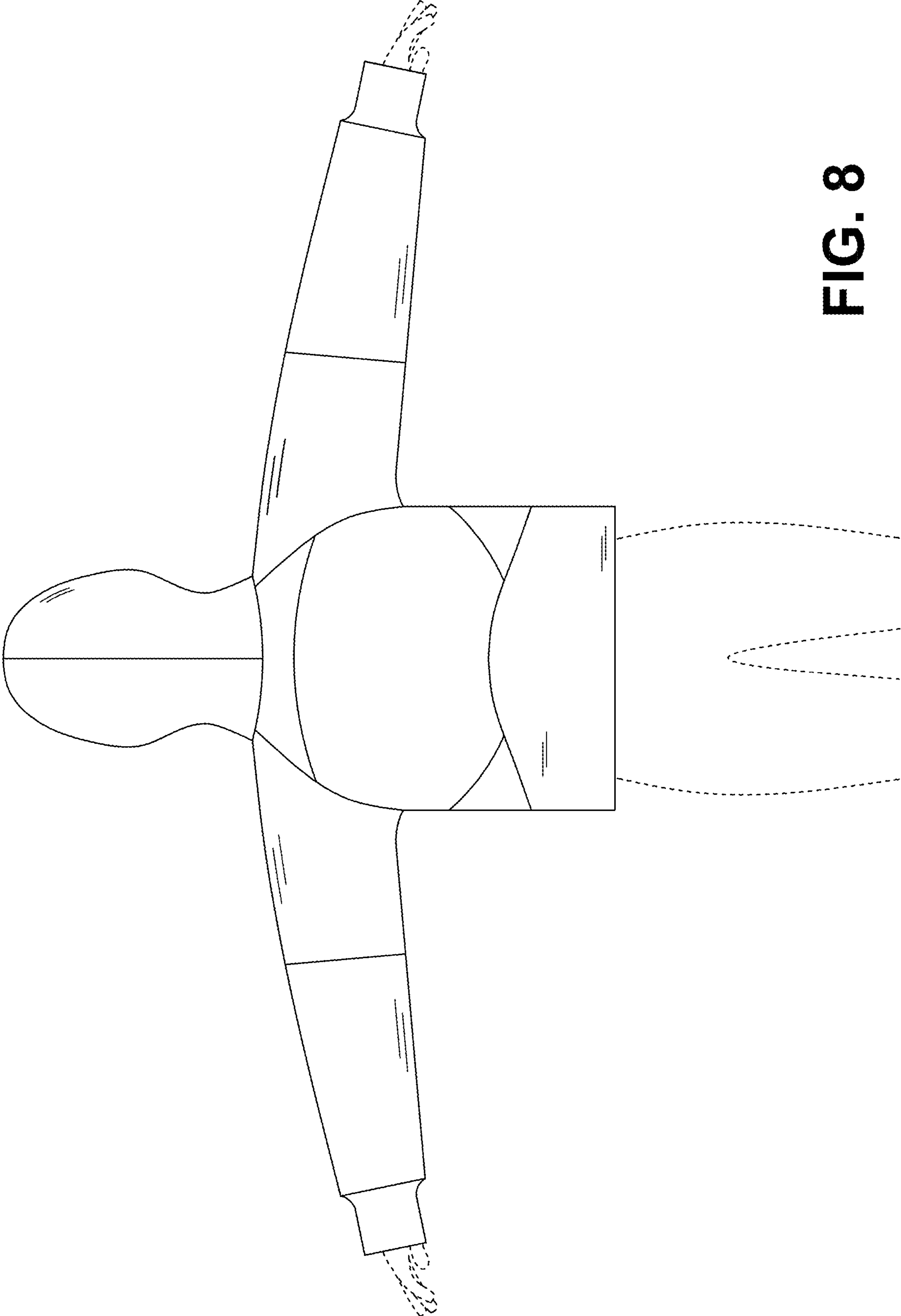


FIG. 8