



US00D969452S

(12) **United States Design Patent**
Miles et al.

(10) **Patent No.:** **US D969,452 S**

(45) **Date of Patent:** **** Nov. 15, 2022**

(54) **MEN'S RECOVERY GARMENT**

- (71) Applicant: **Primetime Ventures, LLC**,
Indianapolis, IN (US)
- (72) Inventors: **John F. Miles**, Greenwood, IN (US);
Thomas Allen Gardner, Indianapolis,
IN (US); **Matthew Mellon**, Carmel, IN
(US); **John J. Mulcahy**, Madison, AL
(US)
- (73) Assignee: **Primetime Ventures, LLC**,
Indianapolis, IN (US)
- (**) Term: **15 Years**
- (21) Appl. No.: **29/768,016**
- (22) Filed: **Jan. 27, 2021**

Related U.S. Application Data

- (62) Division of application No. 17/061,609, filed on Oct.
2, 2020.
- (51) **LOC (13) Cl.** **02-01**
- (52) **U.S. Cl.**
USPC **D2/712; D2/731**
- (58) **Field of Classification Search**
USPC D2/711-713, 731
CPC A41D 13/1254; A41B 9/00; A41B 9/02;
A41B 9/023; A41B 9/026
See application file for complete search history.

(56) **References Cited**

U.S. PATENT DOCUMENTS

2,269,120	A *	1/1942	McCarthy	A41B 9/02 2/234
2,641,258	A *	6/1953	Rutledge	A41B 9/02 450/104
6,401,250	B1 *	6/2002	McNabb	A41D 1/06 2/78.2
D639,529	S *	6/2011	Boyle	D2/857
D657,937	S *	4/2012	Jones	D2/712

(Continued)

OTHER PUBLICATIONS

CEP Compression Run Shorts 3.0, posted NA [online], (retrieved Jan. 26, 2022). Retrieved from the internet, https://thecompressionstore.com/cep-compression-run-shorts-3-0-men/?sku=W0115C4&gclid=EAIalQobChMI_o-e6p_Q9QIV1e2zCh0vLA6MEAkYBC%E2%80%A6 (Year: NA).*

Primary Examiner — Kevin K Rudzinski

Assistant Examiner — J. Thorn, Sr.

(74) *Attorney, Agent, or Firm* — Maginot, Moore & Beck LLP

(57) **CLAIM**

The ornamental design for a men's recovery garment, as shown and described.

DESCRIPTION

FIG. 1 is a perspective view of a design for a men's recovery garment.

FIG. 2 is a front elevational view of the design shown in FIG. 1, with a front flap of the garment in a closed position.

FIG. 3 is a back elevational view of the design shown in FIG. 1.

FIG. 4 is a left side elevational view of the design shown in FIG. 1.

FIG. 5 is a right side elevational view of the design shown in FIG. 1.

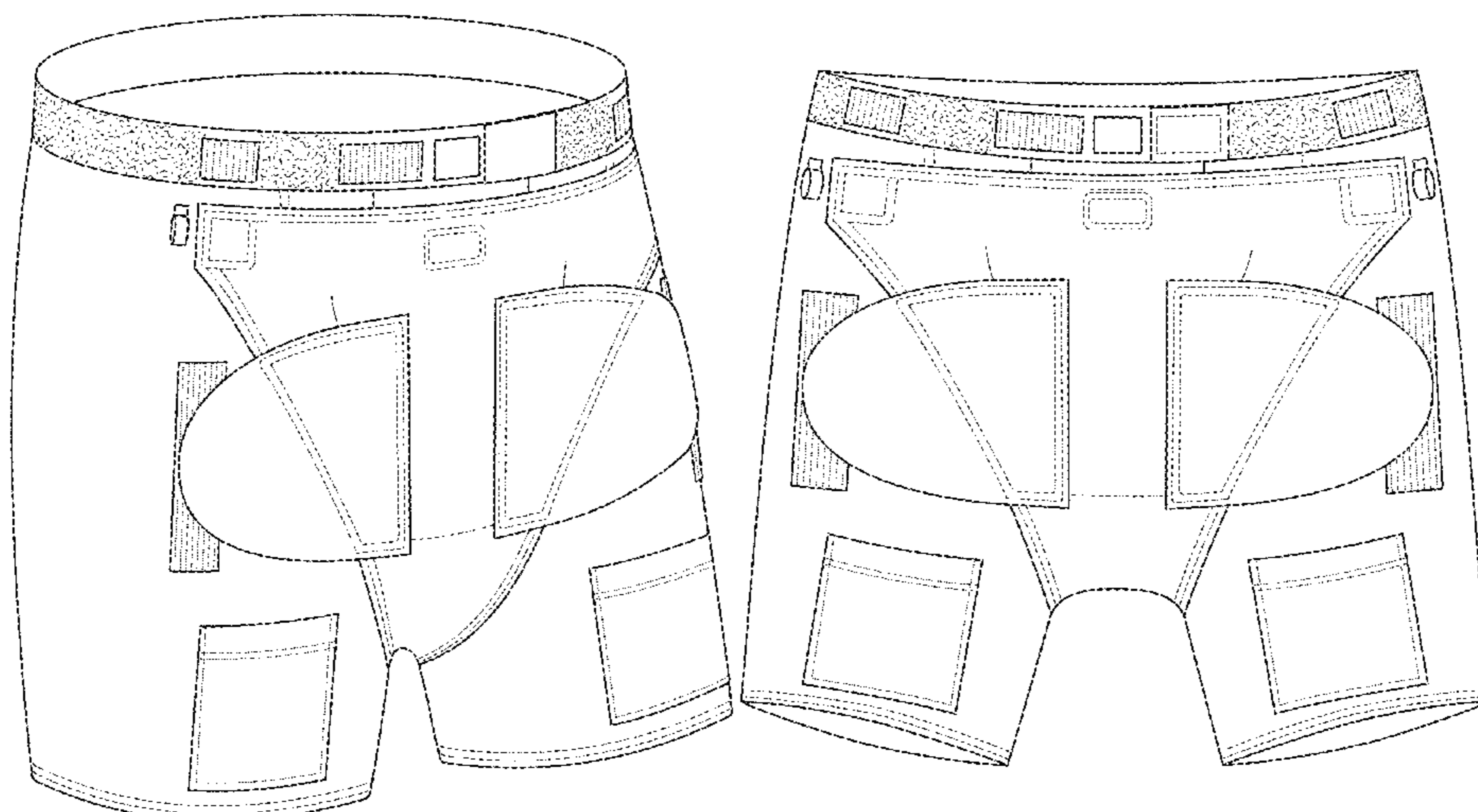
FIG. 6 is a top elevational view of the design shown in FIG. 1.

FIG. 7 is a bottom elevational view of the design shown in FIG. 1; and,

FIG. 8 is a front elevational view of the design shown in FIG. 1 with the front flap in an open position.

The evenly-spaced broken lines depict stitching and form no part of the claimed design. The closely-spaced broken lines form portions of the men's recovery garment and form no part of the claimed design.

1 Claim, 7 Drawing Sheets



(56)

References Cited

U.S. PATENT DOCUMENTS

D722,420 S * 2/2015 Abrams D2/712
D838,931 S * 1/2019 Yan D2/712
D848,110 S * 5/2019 Harris A41B 9/026
D2/712
D873,529 S * 1/2020 Tubbs-Gingerich D2/731
D947,494 S * 4/2022 Aparicio D2/712
D953,694 S * 6/2022 Zhang D2/712
2013/0174328 A1 * 7/2013 Rolon A41B 9/023
2/403
2021/0100681 A1 * 4/2021 Miles A61F 5/453
2021/0337883 A1 * 11/2021 Patmore A41B 9/026

* cited by examiner

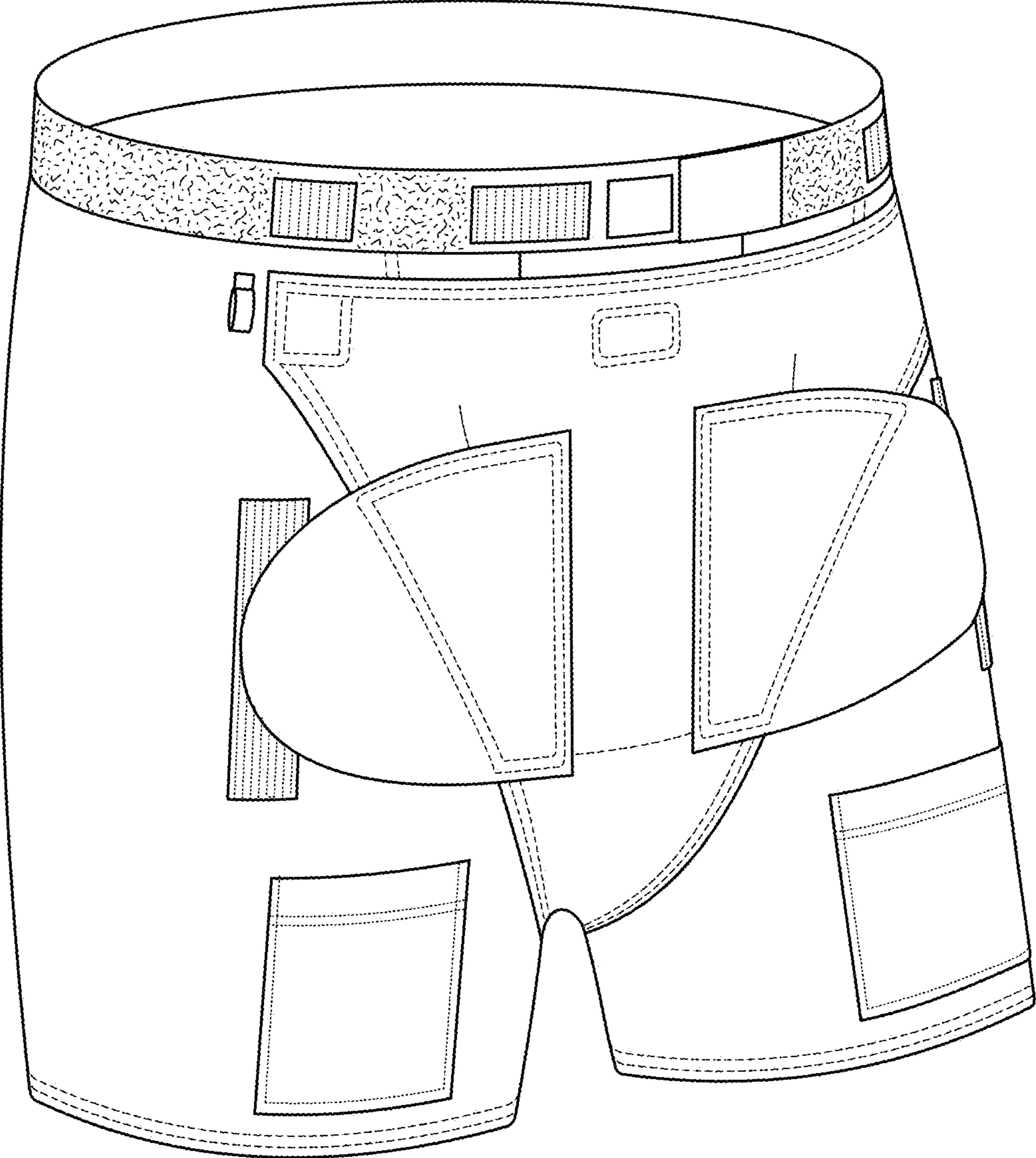


FIG. 1

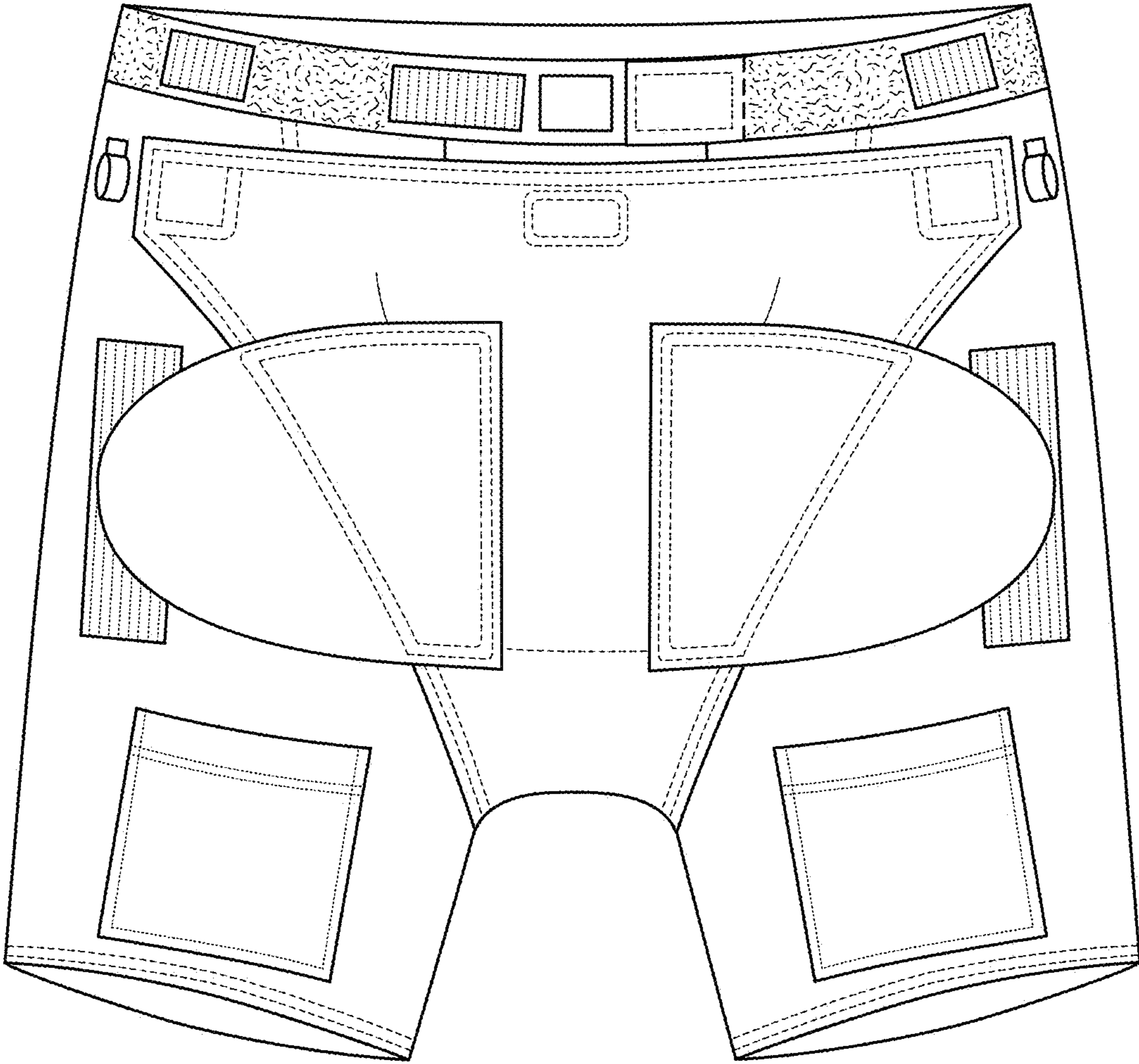


FIG. 2

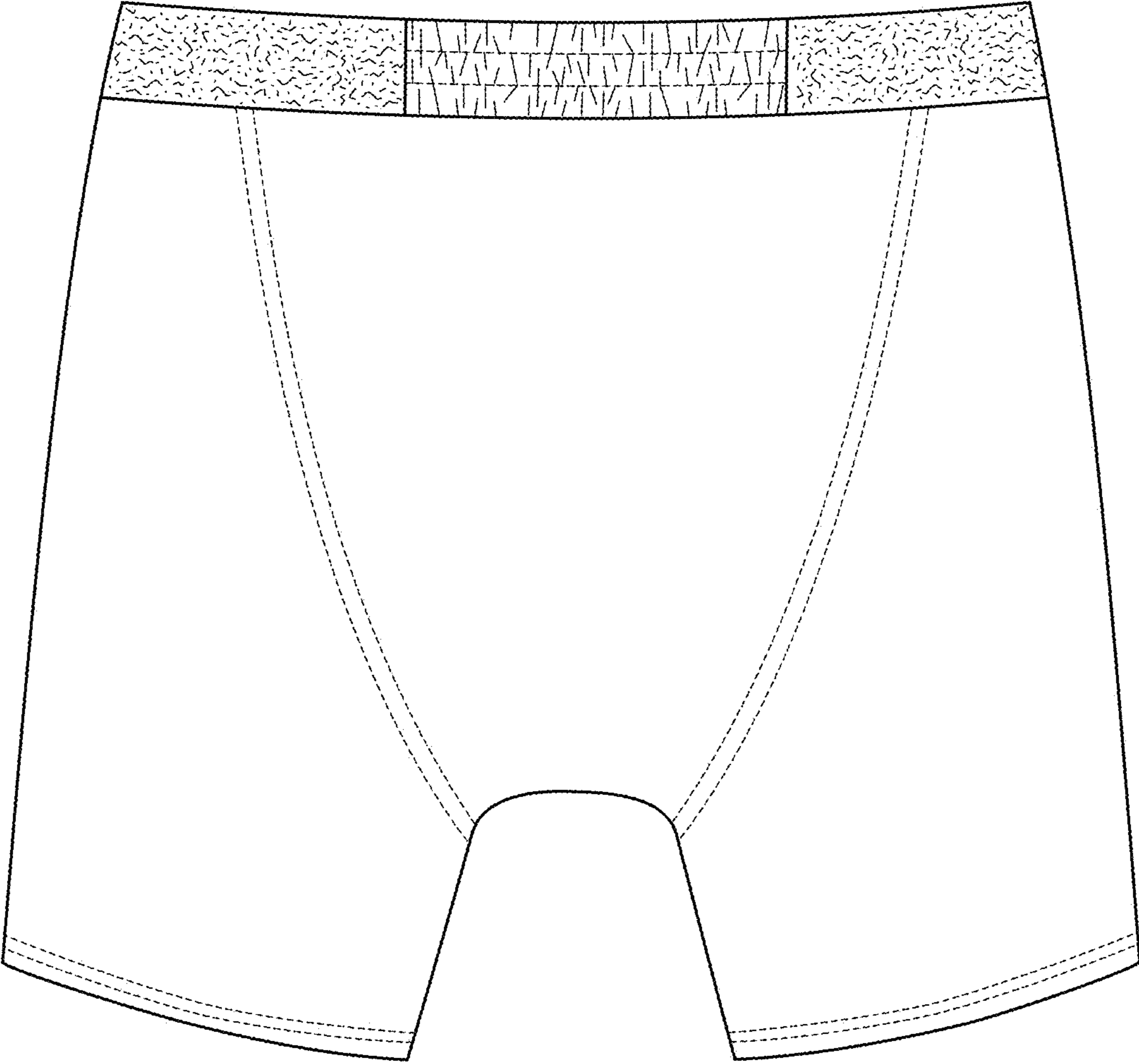


FIG. 3

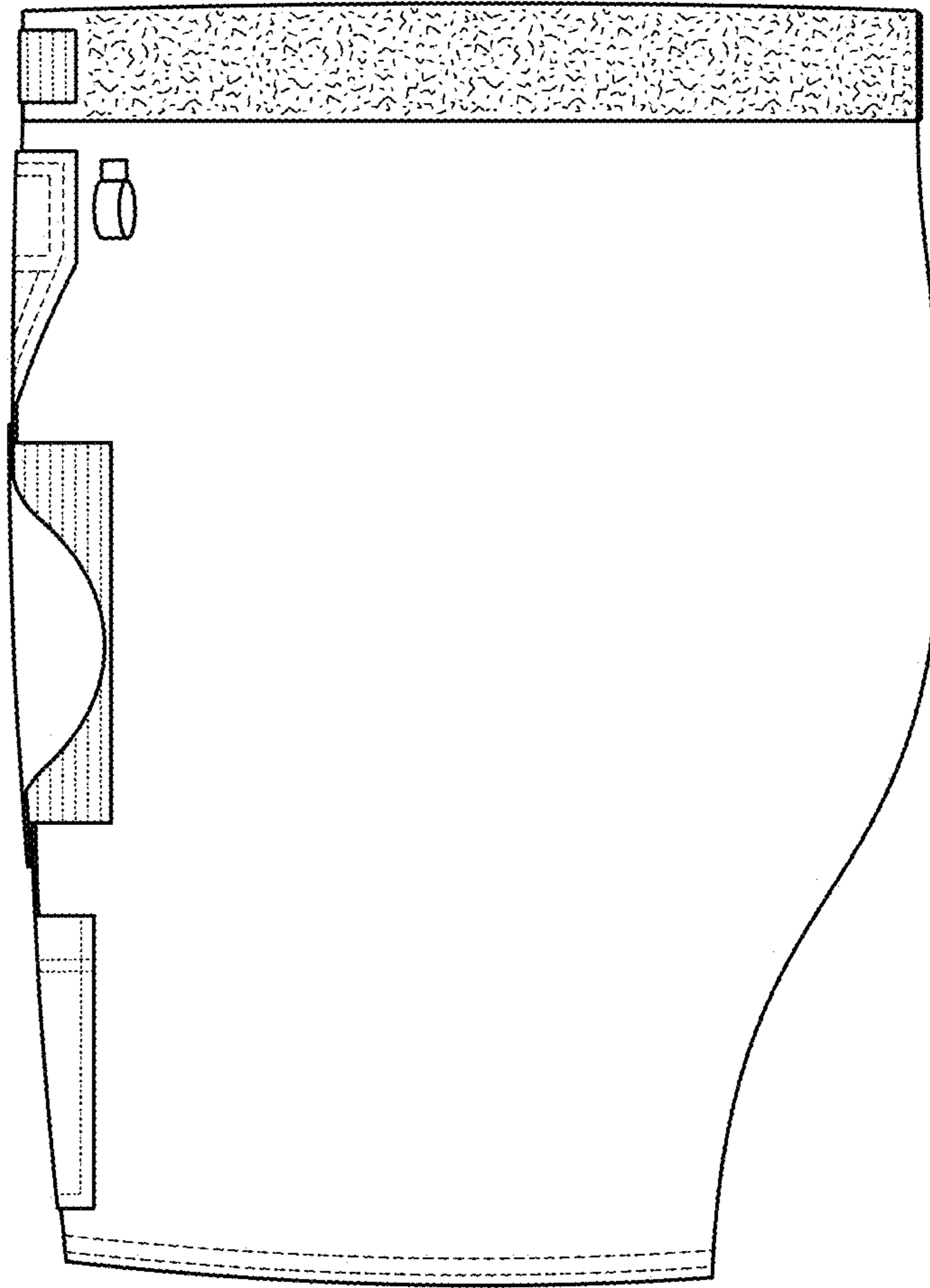


FIG. 4

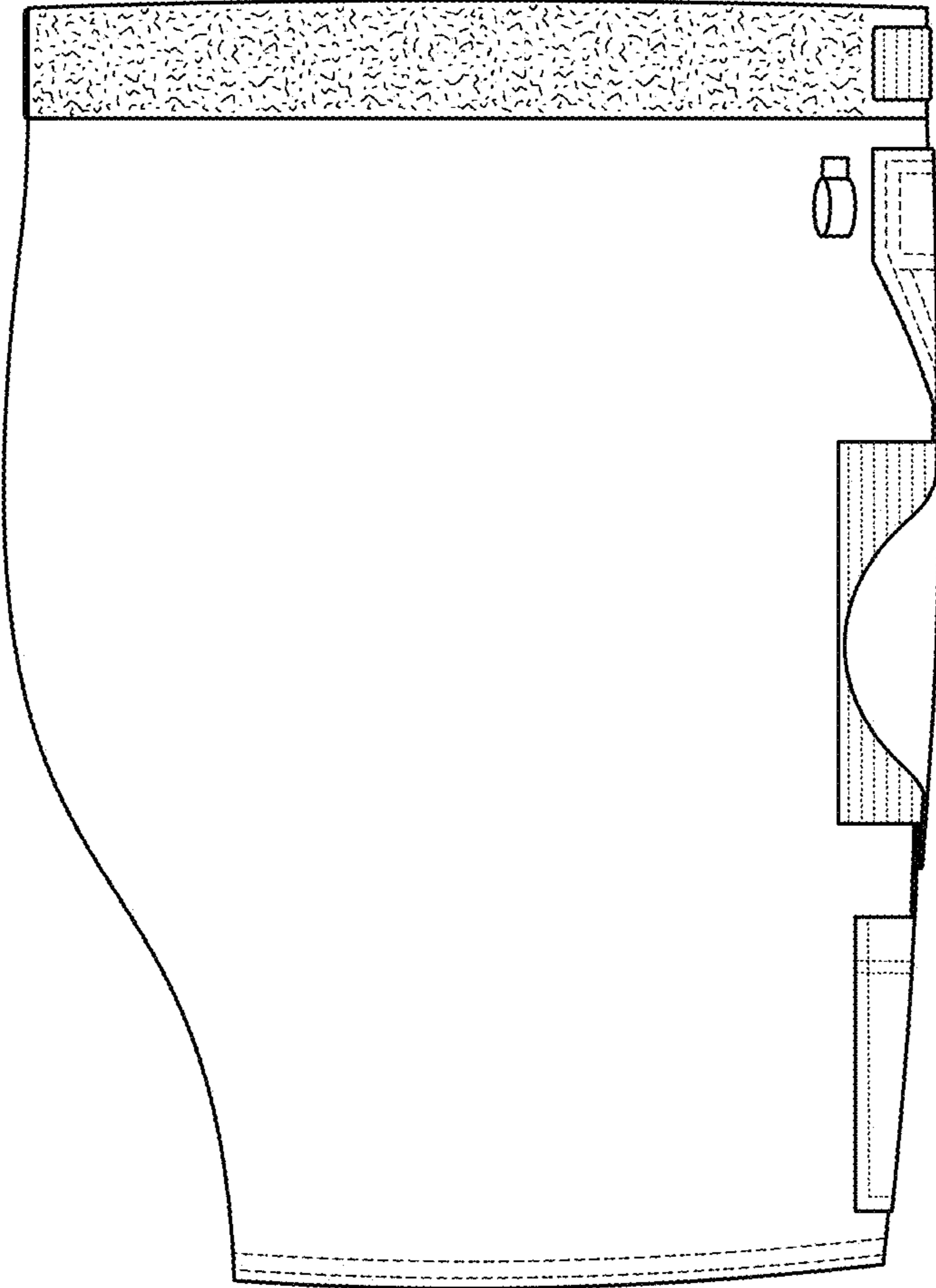


FIG. 5

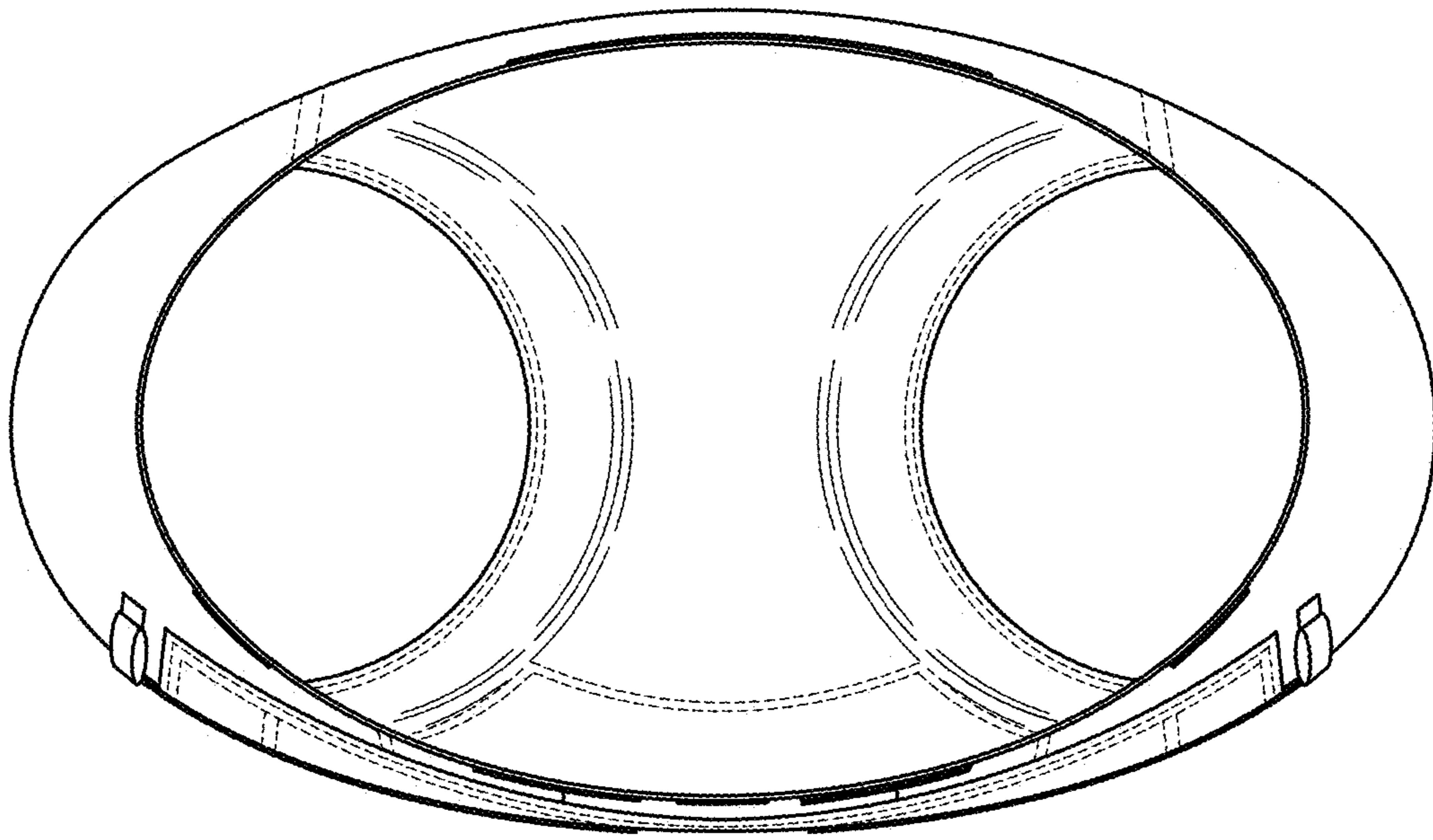


FIG. 6

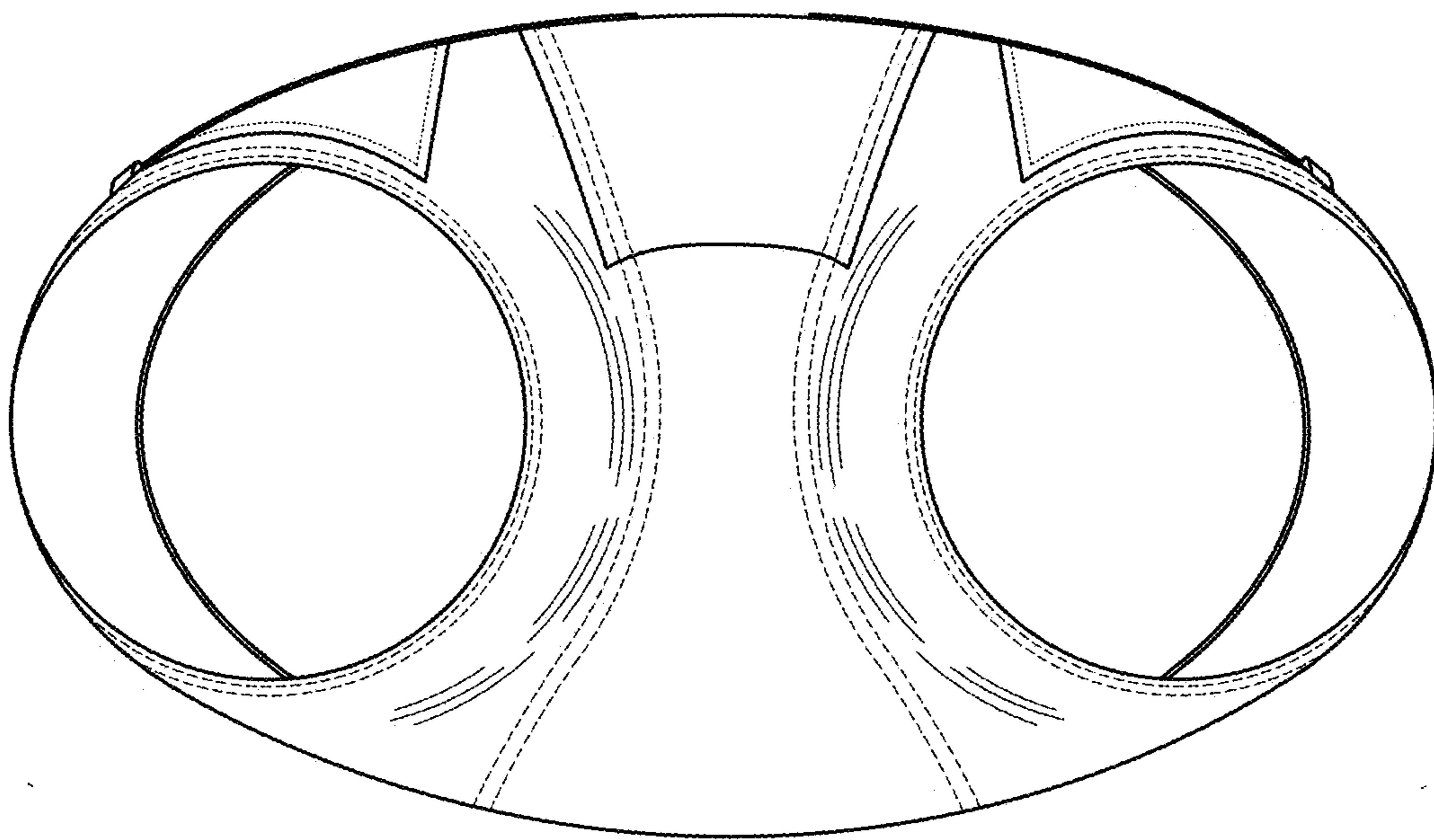


FIG. 7

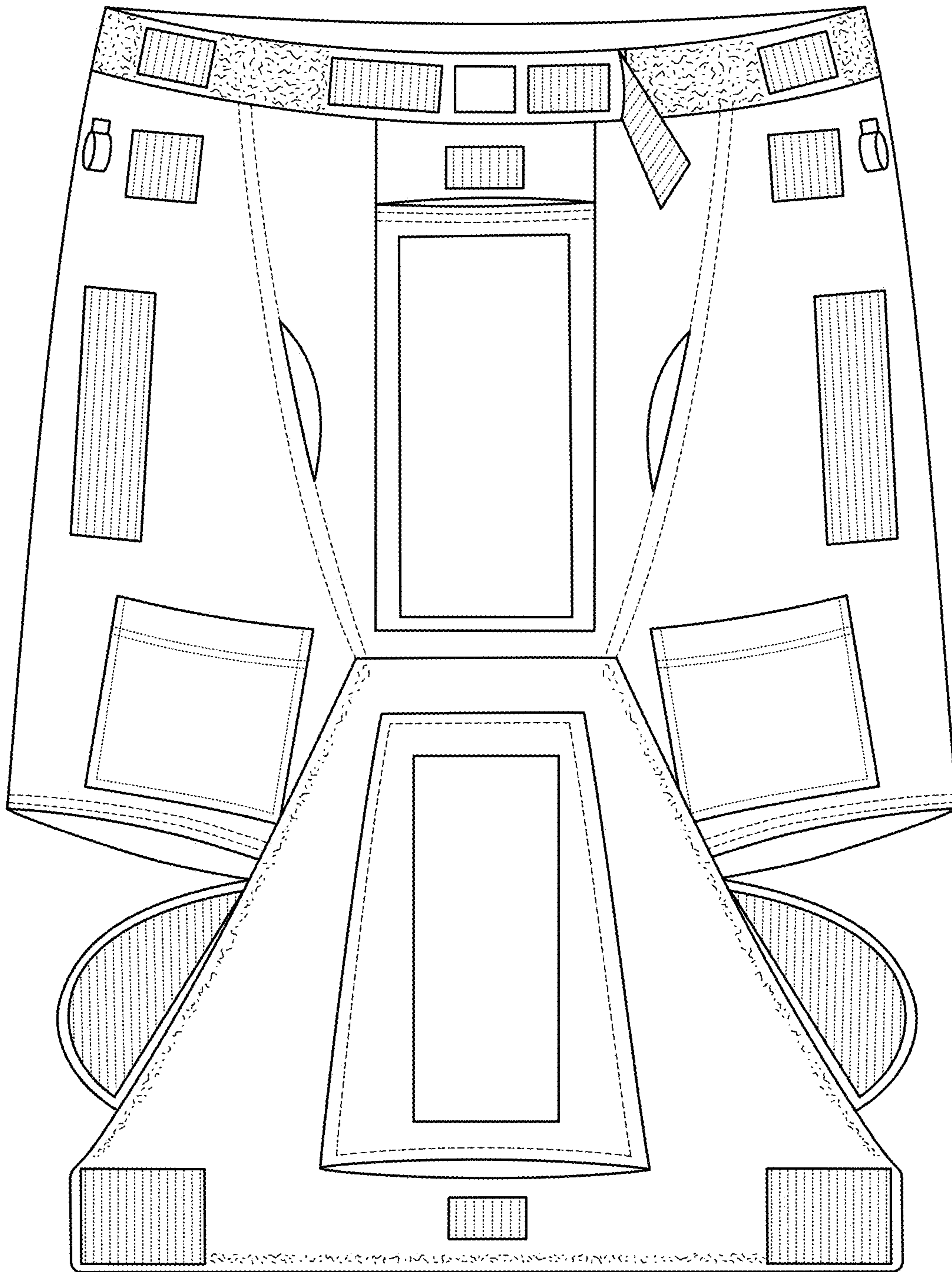


FIG. 8