



US00D969447S

(12) **United States Design Patent**
Bunch

(10) **Patent No.:** **US D969,447 S**

(45) **Date of Patent:** **** Nov. 8, 2022**

- (54) **TEARDROP SHAPED MAILBOX**
- (71) Applicant: **Ian Bunch**, Chadds Ford, PA (US)
- (72) Inventor: **Ian Bunch**, Chadds Ford, PA (US)
- (**) Term: **15 Years**
- (21) Appl. No.: **29/741,991**
- (22) Filed: **Jul. 17, 2020**
- (51) **LOC (13) Cl.** **99-00**
- (52) **U.S. Cl.**
USPC **D99/30**
- (58) **Field of Classification Search**
USPC D99/28, 29, 30, 31, 32, 33, 43, 99;
D3/201, 272, 273, 274; 312/35;
232/1 R, 1 A, 1 C, 1 D, 4 R, 2, 17, 19,
232/20, 21, 22, 24, 27, 30, 31, 37, 38, 39,
232/44, 45
CPC A47G 29/12; A47G 29/1201; A47G
29/1203; A47G 29/1205; A47G 29/1207;
A47G 29/1209; A47G 29/121; A47G
29/1212; A47G 29/1216; A47G 29/1218;
A47G 29/122; A47G 29/1225; A47G
29/16; A47G 29/00
See application file for complete search history.

- 5,000,380 A * 3/1991 Barrios A47G 29/12
232/1 C
 - D323,230 S * 1/1992 Barrios D19/86
 - D337,416 S * 7/1993 Kobilarcik D99/29
 - D338,765 S * 8/1993 Hohlbein 232/38
 - D342,367 S 12/1993 Lamancusa
 - D354,611 S 1/1995 Hazlett
 - 5,617,993 A * 4/1997 Morris A47G 29/12095
232/27
 - D411,752 S * 6/1999 Davis D99/29
 - D414,309 S * 9/1999 Okafor D99/29
 - D445,988 S * 7/2001 Gaines D99/29
- (Continued)

OTHER PUBLICATIONS

Teardrop Style Copper Mailbox, <https://www.etsy.com/listing/880719646/teardrop-style-copper-mailbox>, Dec. 31, 2021. (Year: 2021).*

Primary Examiner — Elizabeth J Oswecki
(74) *Attorney, Agent, or Firm* — Joseph E. Maenner;
Maenner & Associates, LLC

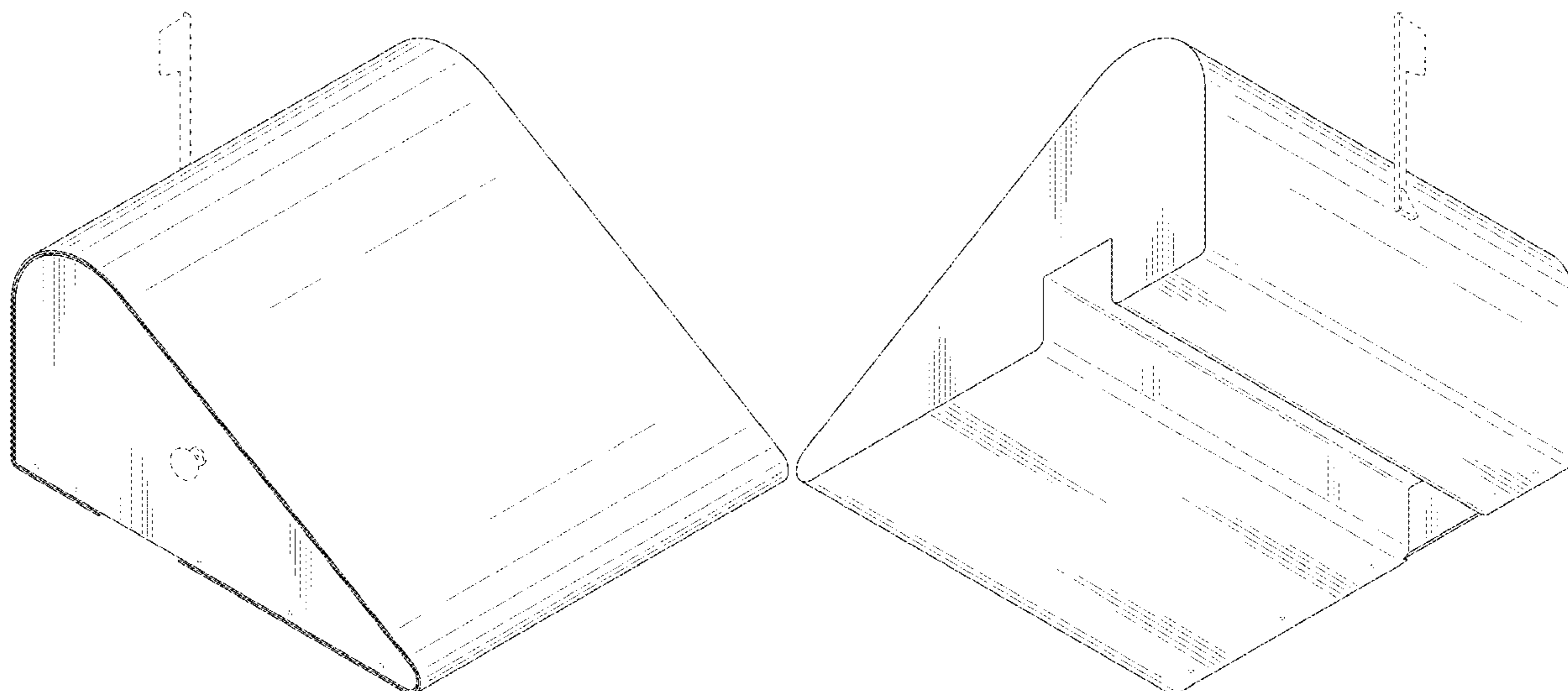
(57) **CLAIM**

The ornamental design for a teardrop shaped mailbox, as shown and described.

DESCRIPTION

FIG. 1 is a top perspective view of a teardrop shaped mailbox, showing my new design;
FIG. 2 is a bottom perspective view thereof;
FIG. 3 is a front elevation view thereof;
FIG. 4 is a rear elevation view thereof;
FIG. 5 is a left side elevation view thereof;
FIG. 6 is a right side elevation view thereof.
FIG. 7 is a top plan view thereof; and,
FIG. 8 is a bottom plan view thereof.
Broken lines are included for depicting environmental subject matter and form no part of the claimed design.

1 Claim, 6 Drawing Sheets



- (56) **References Cited**
U.S. PATENT DOCUMENTS
- 715,240 A * 12/1902 Birely A47G 29/12
232/35
- 910,355 A * 1/1909 Cannady A47G 29/121
232/35
- D110,430 S 7/1938 Geis
- 2,249,731 A 7/1941 Gilstrap
- D154,234 S * 6/1949 Batzler D99/29
- D181,405 S * 11/1957 Buffington D99/29
- D185,523 S * 6/1959 Wright D20/19
- D221,361 S 8/1971 Parker
- 3,801,002 A * 4/1974 Best A47G 29/121
D99/29
- D254,335 S 2/1980 Hodge

(56)

References Cited

U.S. PATENT DOCUMENTS

D476,791 S * 7/2003 South D99/29
D484,668 S 12/2003 Morgan et al.
D493,937 S 8/2004 Dillilo et al.
D499,524 S 12/2004 Taylor et al.
D509,638 S 9/2005 Moritz et al.
D510,785 S 10/2005 King
D511,604 S 11/2005 Moritz et al.
6,974,073 B1 12/2005 Snyder
D547,925 S 7/2007 Schappler
7,364,066 B1 * 4/2008 Wilson A47G 29/1216
232/39
D727,589 S 4/2015 Amato et al.
9,980,592 B2 * 5/2018 Farentinos A47G 29/122
D878,004 S 3/2020 Tsukii
D894,524 S * 8/2020 Bunch D99/30

* cited by examiner

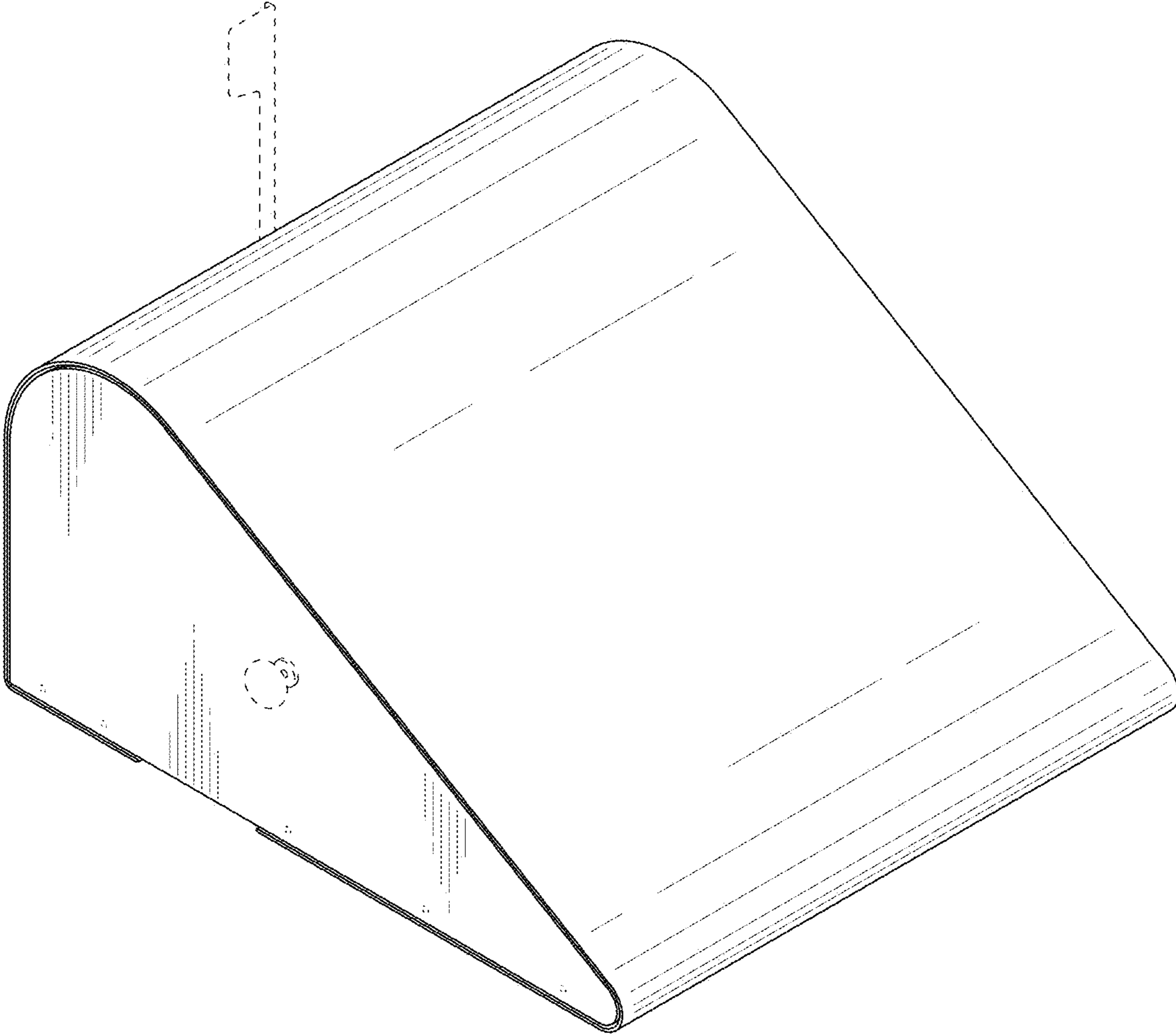


FIG. 1

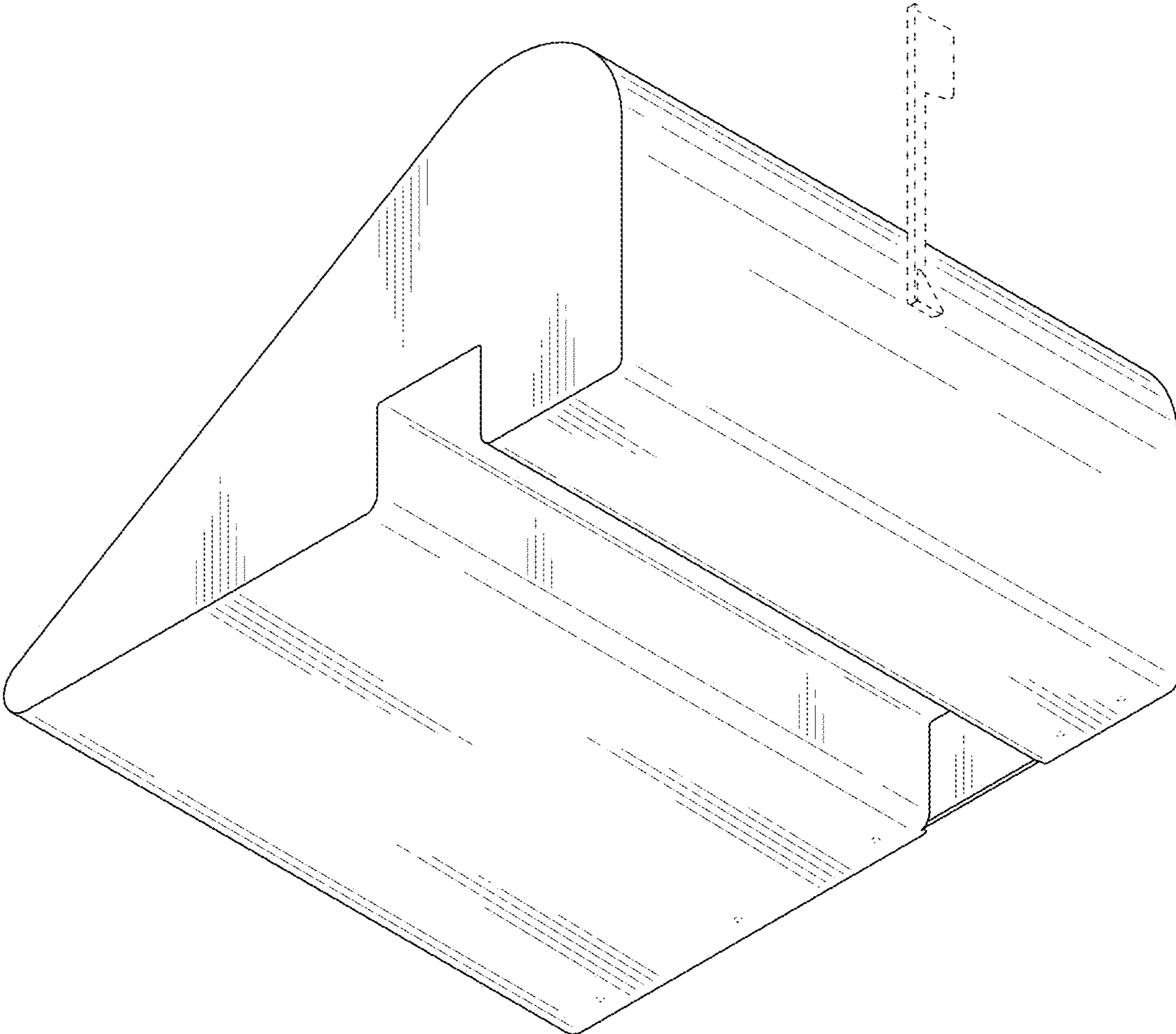


FIG. 2

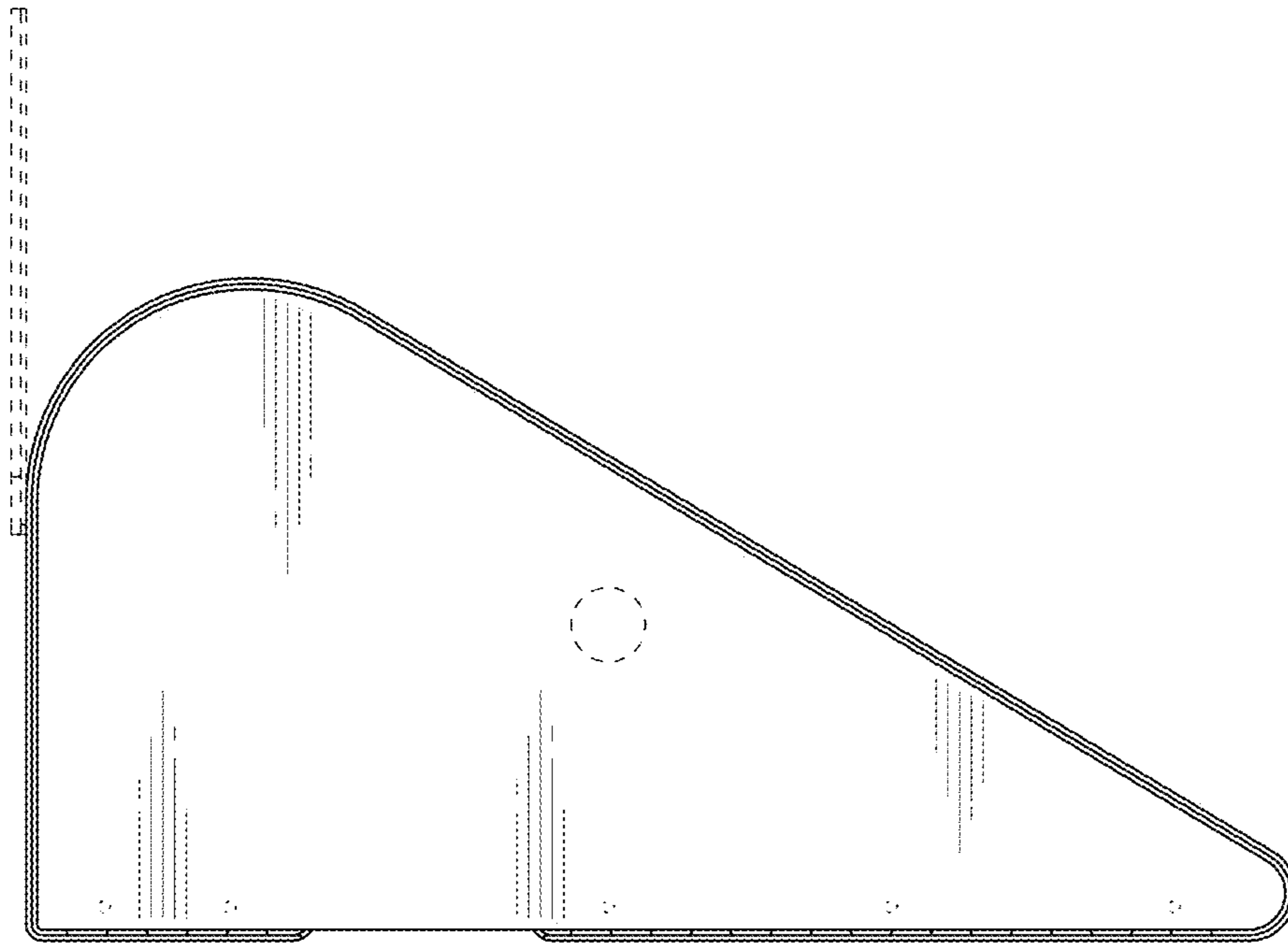


FIG. 3

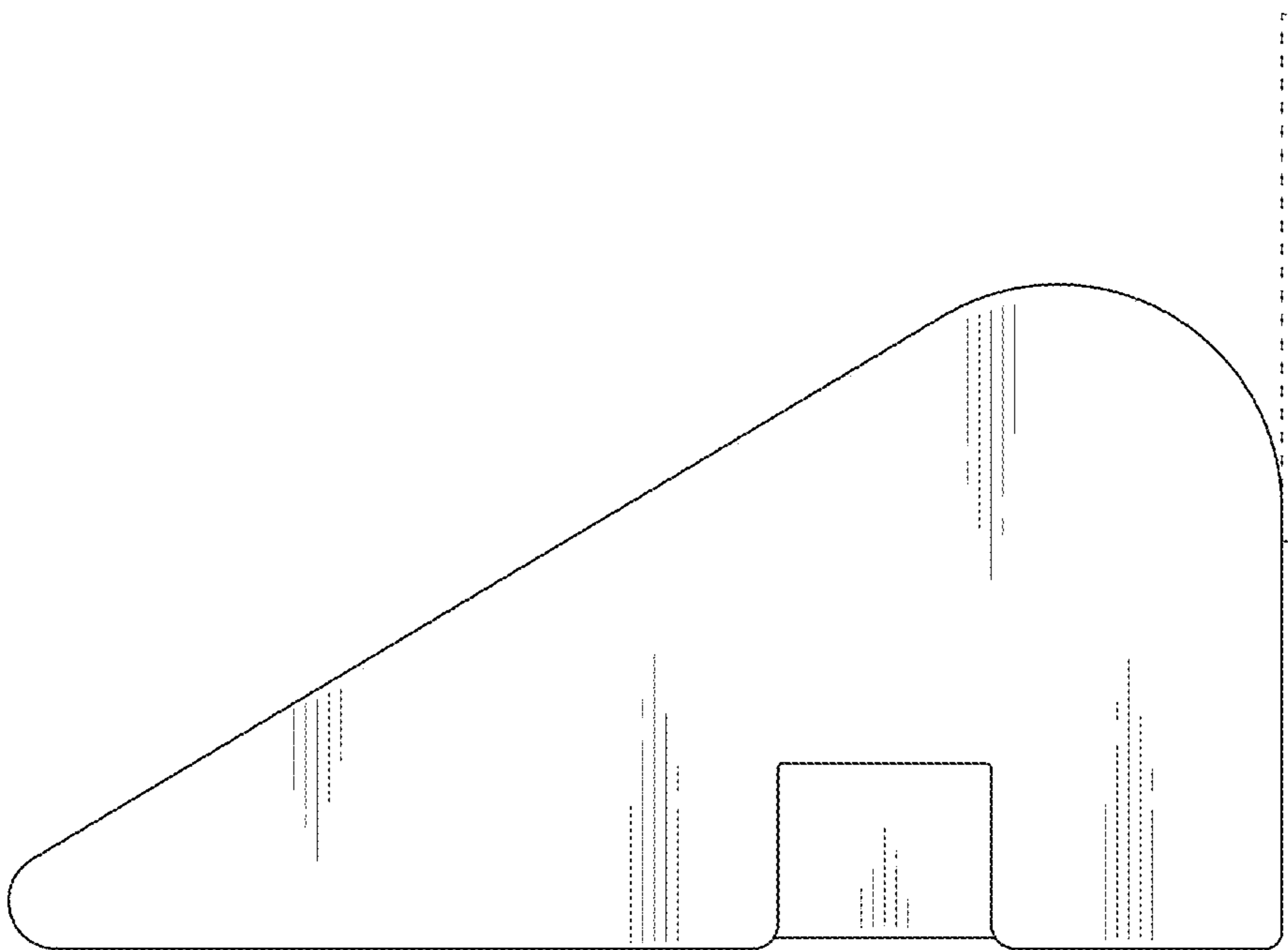


FIG. 4

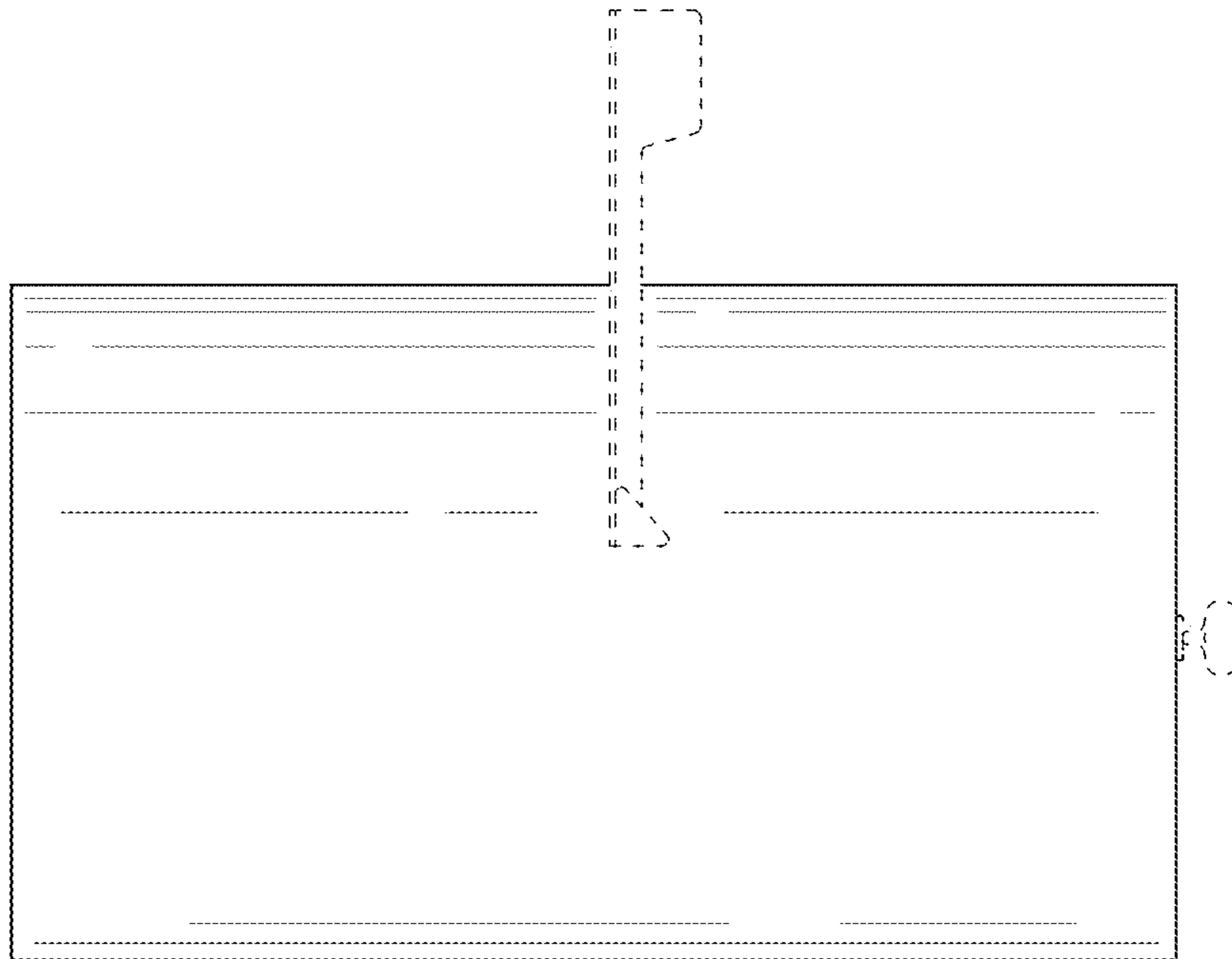


FIG. 5

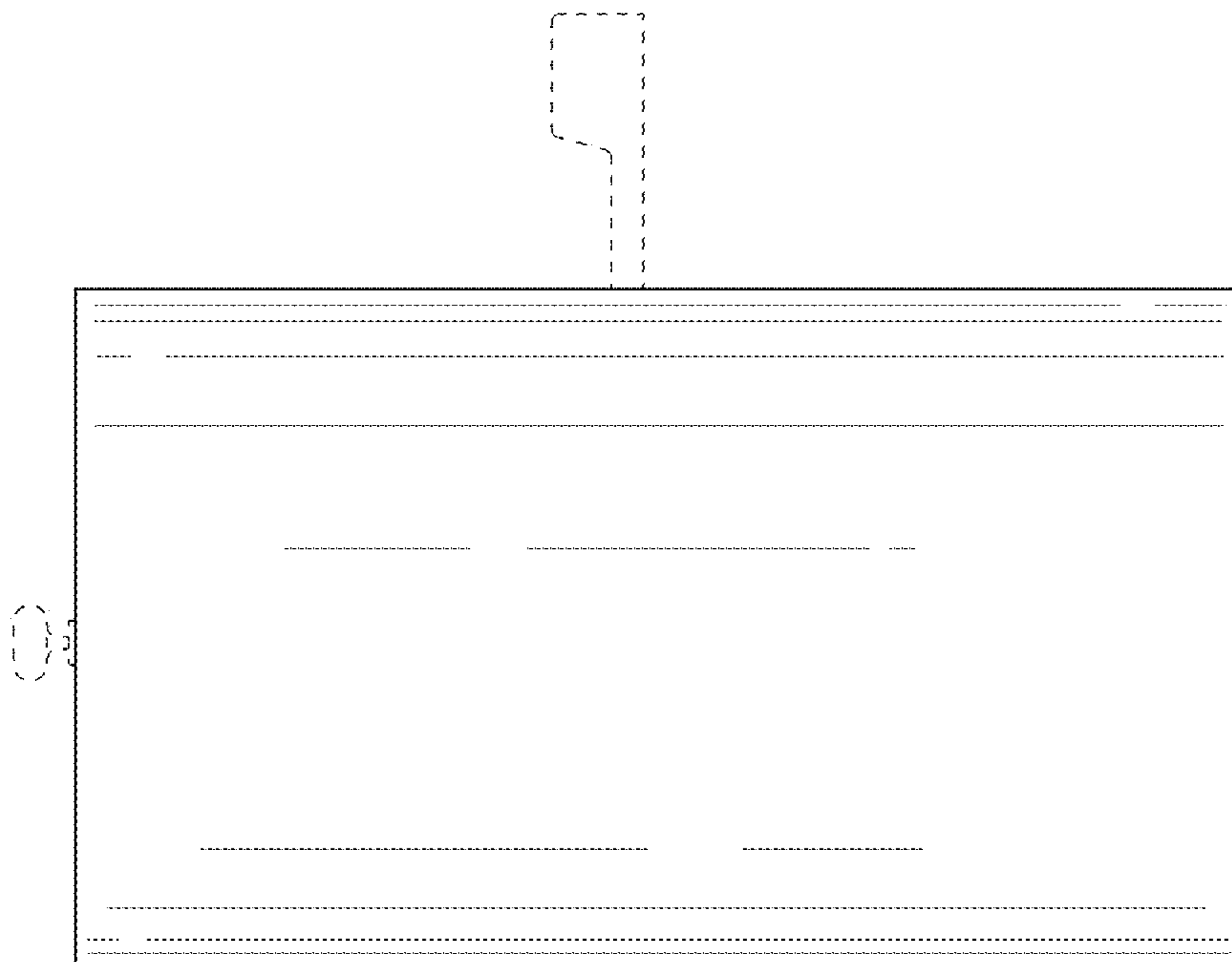


FIG. 6

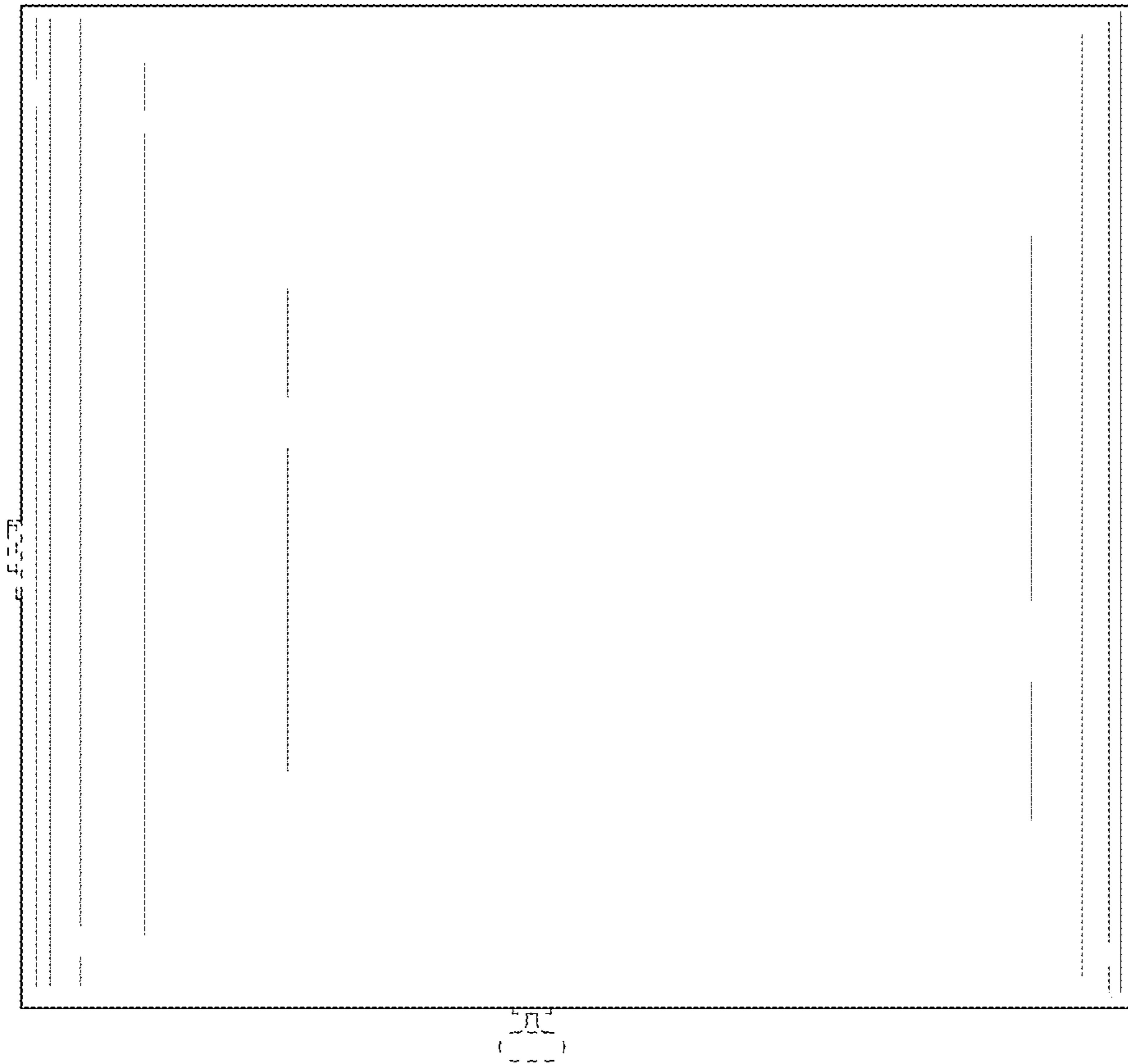


FIG. 7

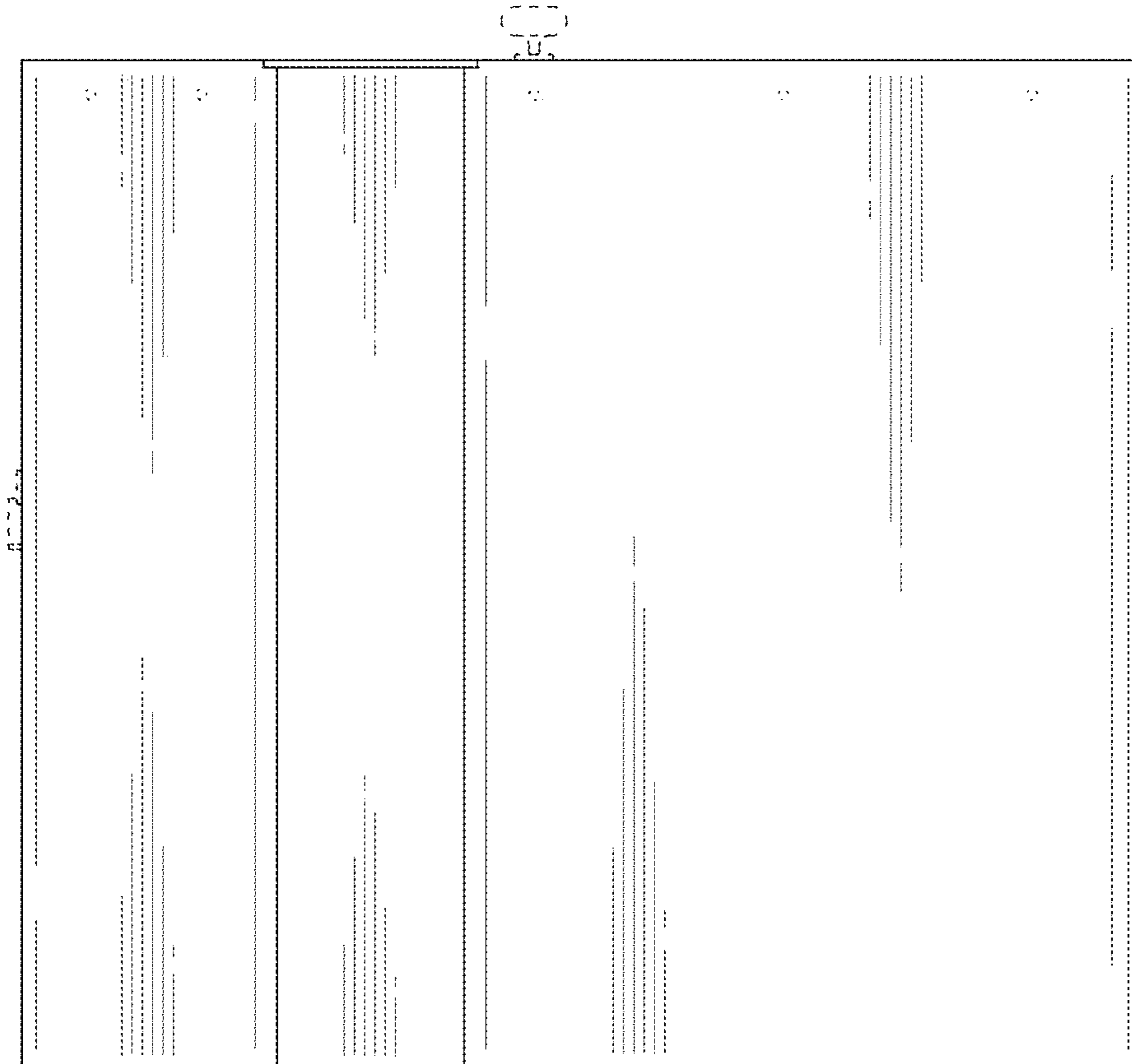


FIG. 8