

US00D969446S

(12) **United States Design Patent**  
**Baker et al.**

(10) **Patent No.:** **US D969,446 S**  
(45) **Date of Patent:** **\*\* Nov. 8, 2022**

(54) **GUN SAFE**

- (71) Applicant: **Alpha Guardian Corporation**, Las Vegas, NV (US)
- (72) Inventors: **Michael Scott Baker**, Henderson, NV (US); **Jesus Carballido**, Henderson, NV (US)
- (73) Assignee: **Alpha Guardian**
- (\*\*) Term: **15 Years**
- (21) Appl. No.: **29/818,256**
- (22) Filed: **Dec. 7, 2021**

**Related U.S. Application Data**

- (62) Division of application No. 29/677,389, filed on Jan. 18, 2019, now Pat. No. Des. 946,235.

- (51) **LOC (13) Cl.** ..... **99-00**
- (52) **U.S. Cl.**  
USPC ..... **D99/28**

(58) **Field of Classification Search**

USPC ..... D99/28, 34, 35, 36, 43, 99; 109/1 R, 109/1 V, 2, 45; 902/9, 30; 235/100; 206/317, 527, 235; 312/400, 409  
 CPC .... E05B 65/0075; F42B 39/00; F42B 39/002; F42B 39/14; F42B 39/18; F42B 39/22; F42B 39/24; F42B 39/20; F42B 39/26; E05G 1/00; E05G 1/005; E05G 1/024; E05G 5/00; E05G 5/02; E05G 2700/00; E05G 2700/02; E05G 2700/04; G07F 17/10; G07F 9/06; G07F 9/003; G07F 9/002; G07F 9/004; G07F 9/008; G07D 11/0009; G07D 11/009; G07D 11/006  
 See application file for complete search history.

(56) **References Cited**

**U.S. PATENT DOCUMENTS**

- D357,117 S \* 4/1995 Huang ..... D3/276
- D399,632 S \* 10/1998 Davis ..... D99/28
- 6,405,861 B1 \* 6/2002 Siler ..... F41C 33/06  
206/1.5

(Continued)

**OTHER PUBLICATIONS**

GunVault MicroVault Handgun Case, [https://www.academy.com/p/gunvault-microvault-handgun-case?gmc\\_feed=t&campid=71700000087430527&adgroupid=58700007427116979&device=c&keyword=92700066706370439&Channel](https://www.academy.com/p/gunvault-microvault-handgun-case?gmc_feed=t&campid=71700000087430527&adgroupid=58700007427116979&device=c&keyword=92700066706370439&Channel), 2020. (Year: 2020).\*

(Continued)

*Primary Examiner* — Elizabeth J Oswecki

(74) *Attorney, Agent, or Firm* — Quickpatents, LLC; Kevin Prince

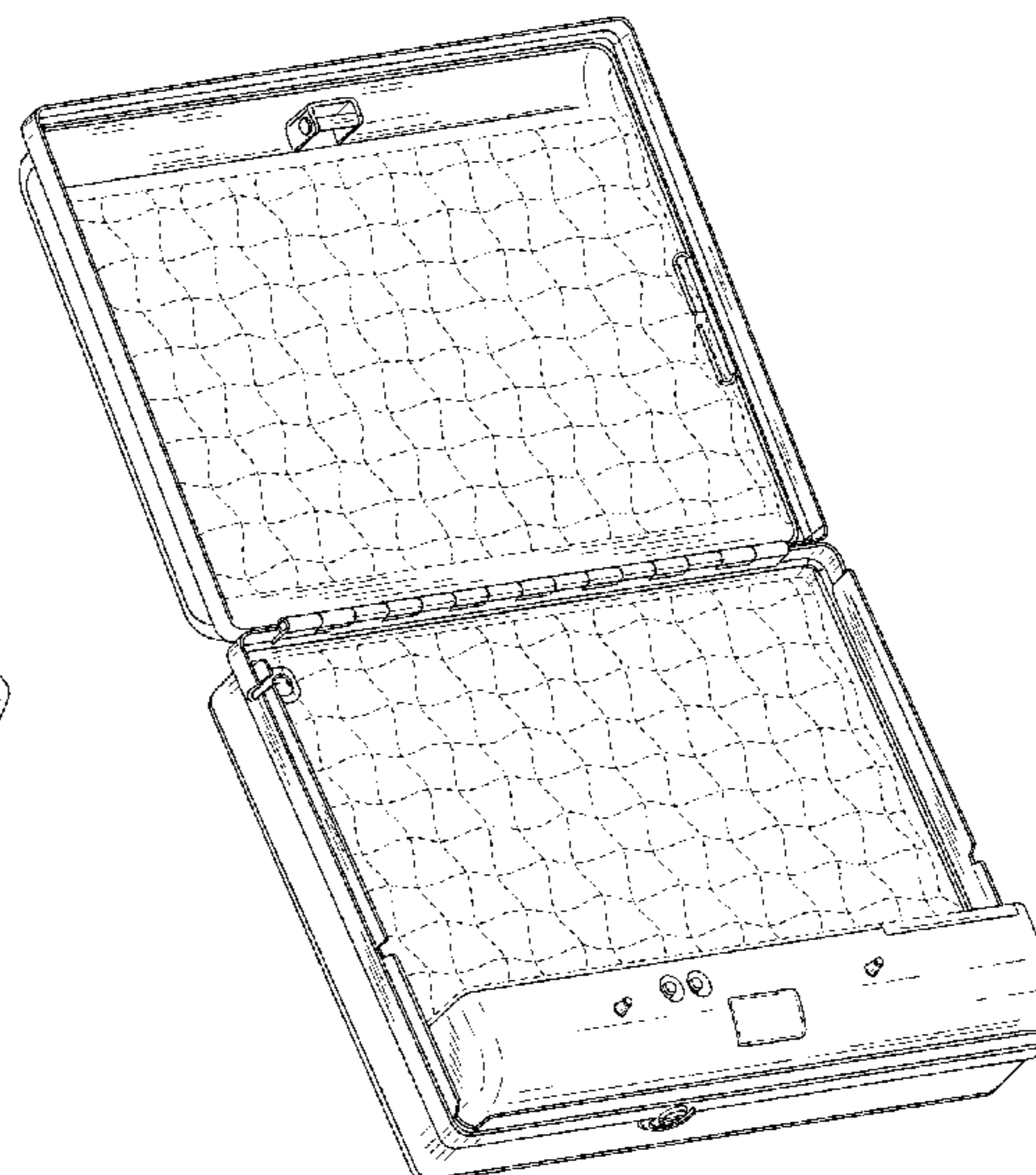
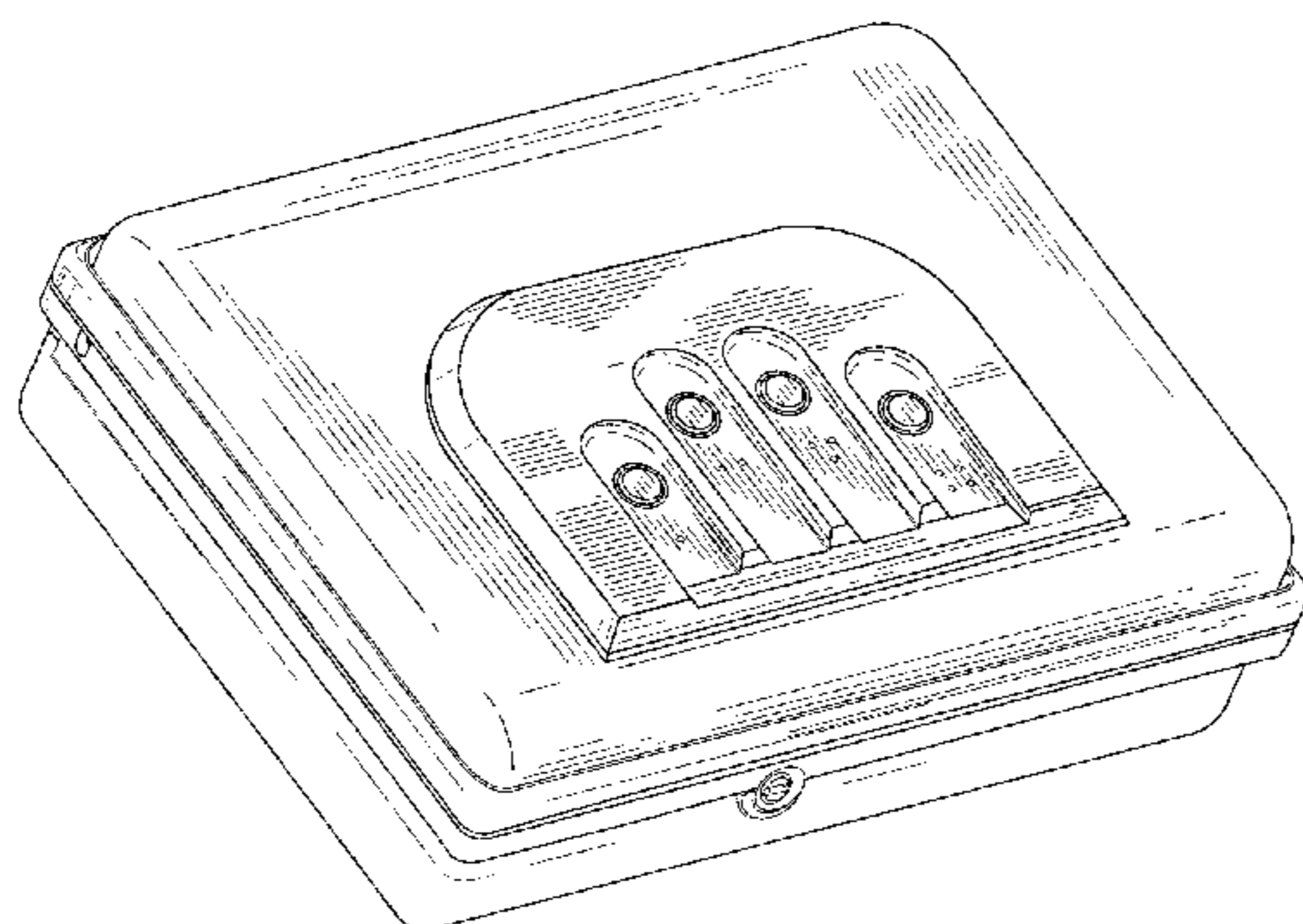
(57) **CLAIM**

The ornamental design for a gun safe, as shown and described.

**DESCRIPTION**

FIG. 1 is a top perspective view of a gun safe, showing our new design, in a closed configuration;  
 FIG. 2 is a bottom perspective view of FIG. 1;  
 FIG. 3 is a front elevational view of FIG. 1;  
 FIG. 4 is a rear elevational view of FIG. 1;  
 FIG. 5 is a left side elevational view of FIG. 1, the right side elevational view being a mirror image thereof;  
 FIG. 6 is a top plan view of FIG. 1;  
 FIG. 7 is a bottom plan view of FIG. 1;  
 FIG. 8 is another top perspective view of FIG. 1 shown in an open configuration;  
 FIG. 9 is a front elevational view of FIG. 8;  
 FIG. 10 is a rear elevational view of FIG. 8;  
 FIG. 11 is a left side elevational view of FIG. 8, the right side elevational view being a mirror image thereof;  
 FIG. 12 is a top plan view of FIG. 8; and,  
 FIG. 13 is a bottom plan view of FIG. 8.  
 The broken lines in the figures depict portions of the gun safe that form no part of the claimed design.

**1 Claim, 8 Drawing Sheets**



(56)

References Cited

U.S. PATENT DOCUMENTS

D474,596 S \* 5/2003 Osiecki ..... D3/273  
 6,752,092 B2 \* 6/2004 Beattie ..... E05G 1/024  
 109/74  
 6,843,081 B1 \* 1/2005 Painter ..... F41C 33/06  
 42/70.11  
 7,025,203 B2 \* 4/2006 Schonenbach ..... F41C 33/06  
 206/478  
 D541,045 S \* 4/2007 Peart ..... D99/28  
 D542,529 S \* 5/2007 Peart ..... D3/276  
 D558,977 S \* 1/2008 Peart ..... D99/28  
 D561,994 S \* 2/2008 Peart ..... D99/28  
 D569,073 S \* 5/2008 Osiecki ..... D99/28  
 D571,524 S \* 6/2008 Kang ..... D99/28  
 7,546,920 B1 \* 6/2009 Horn ..... F41C 33/06  
 206/317  
 D616,200 S \* 5/2010 Riedel ..... D3/905  
 D624,275 S \* 9/2010 Min ..... D99/28  
 D635,324 S \* 3/2011 Plato ..... D99/28  
 D651,785 S \* 1/2012 Martin ..... D99/28  
 D677,855 S \* 3/2013 Eick ..... D99/35  
 8,474,923 B2 \* 7/2013 Pendleton ..... E05G 1/02  
 312/305

D714,015 S \* 9/2014 Hyde ..... D99/28  
 D732,265 S \* 6/2015 Osiecki ..... D99/28  
 D749,846 S \* 2/2016 Koeniger ..... D3/905  
 D772,522 S \* 11/2016 Henderson ..... D99/28  
 D800,989 S \* 10/2017 Lucido ..... D99/28  
 D803,508 S \* 11/2017 Horn ..... D99/28  
 D817,589 S \* 5/2018 Culbreth ..... D99/28  
 10,060,177 B2 \* 8/2018 Smith ..... A47B 81/002  
 10,253,529 B1 \* 4/2019 McGinn ..... E05C 9/043  
 D866,913 S \* 11/2019 Xu ..... D99/28  
 D893,123 S \* 8/2020 Yu ..... D99/28  
 D895,225 S \* 9/2020 Smith ..... D99/28

OTHER PUBLICATIONS

GunVault MV500 MicroVault Gun Safe, [https://gunvault.com/product/minivault-standard/](https://www.bhphotovideo.com/c/product/1435549-REG/gunvault_mv500_microvault_gun_safe.html/reviews?ap=y&ap=y&smp=y&smp=y&lsft=BI%3A514&gclid=EA1aIQobChMlv5CmmJqD9wlVycGCh3tzgwJEAQYAiABEgJQefD_BwE, Sep. 2, 2020. (Year: 2020).*</p>
<p>MiniVault Standard, GV1000S, <a href=), 2022. (Year: 2022).\*

\* cited by examiner



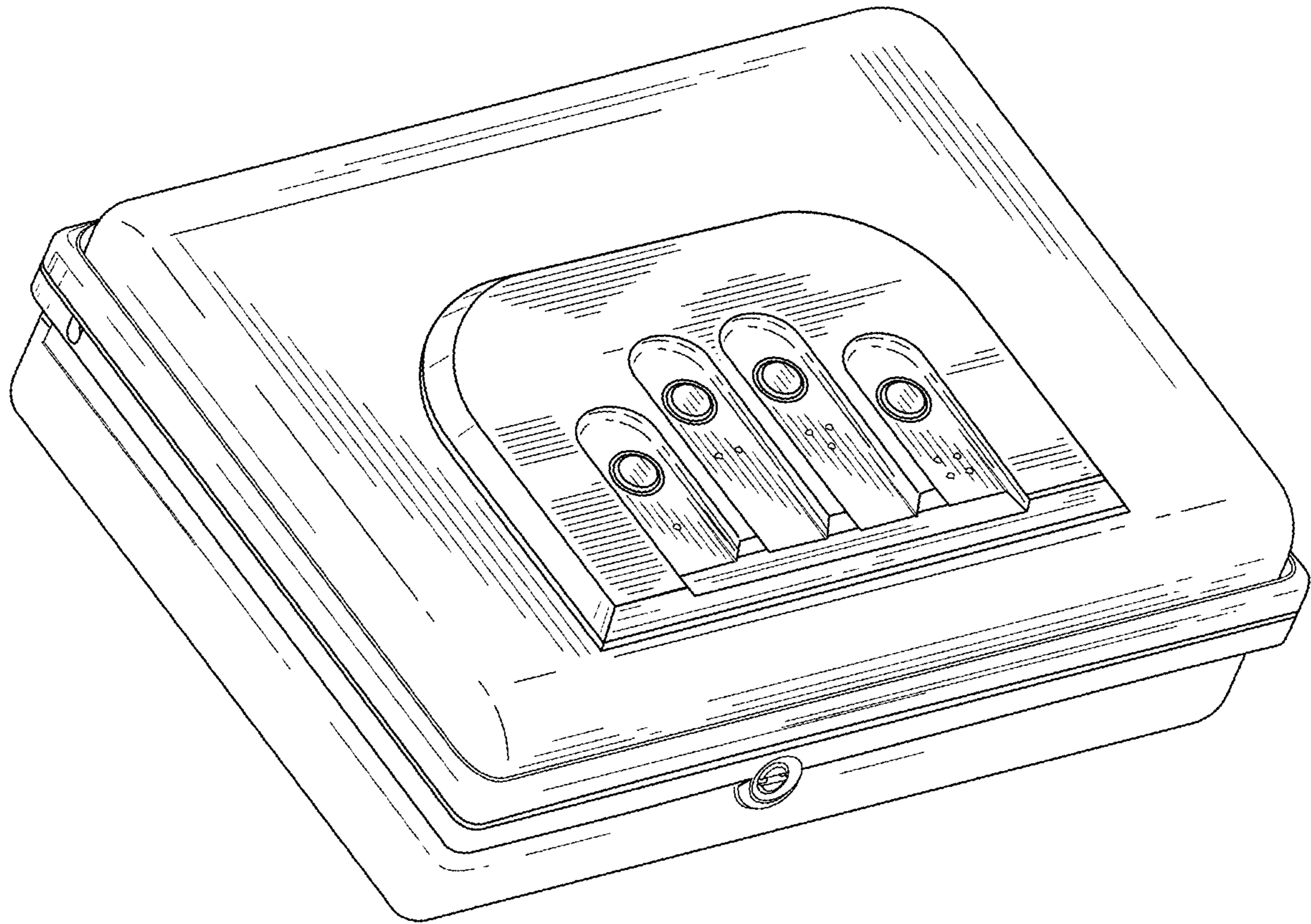


FIG. 1

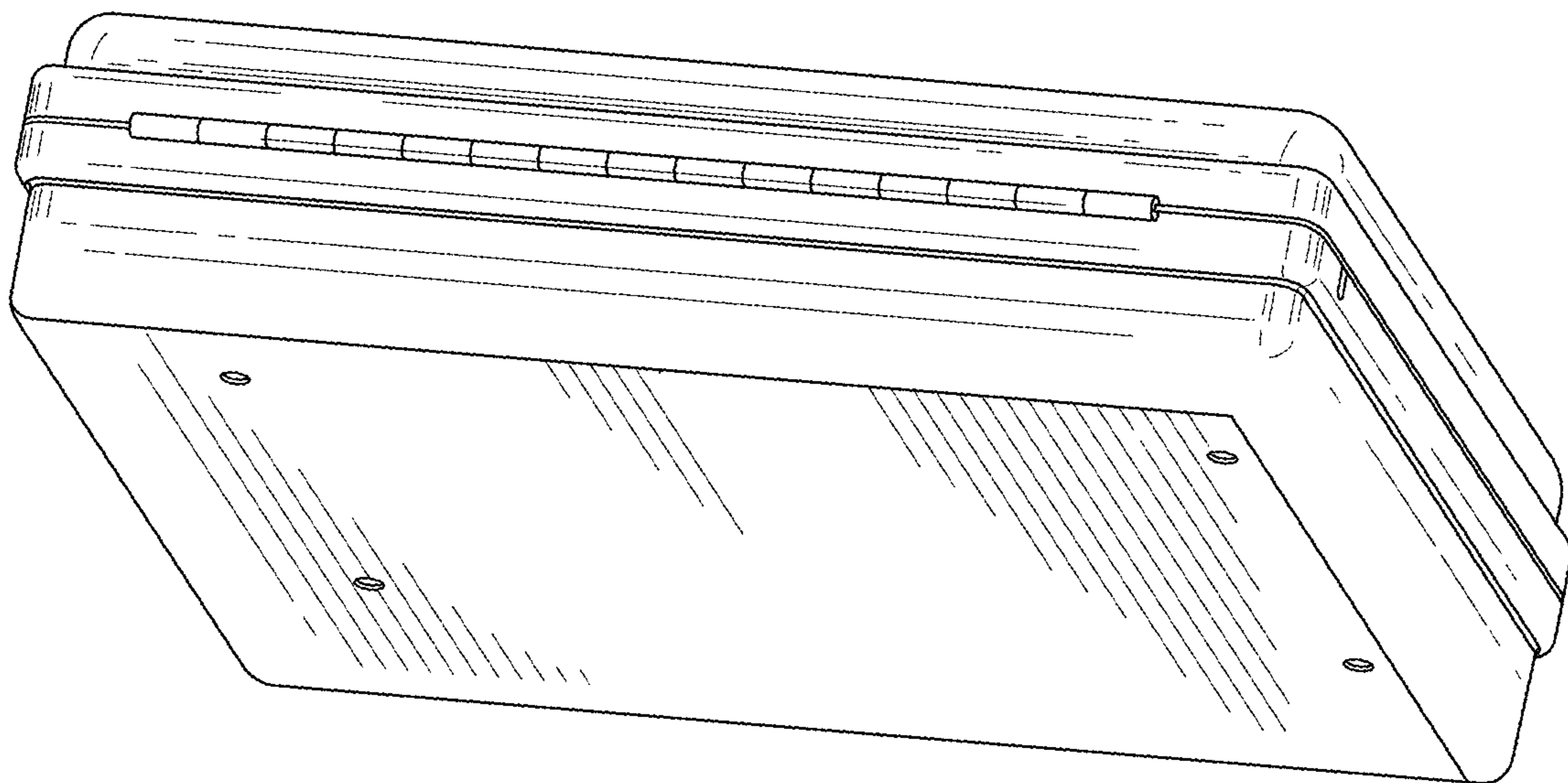


FIG. 2

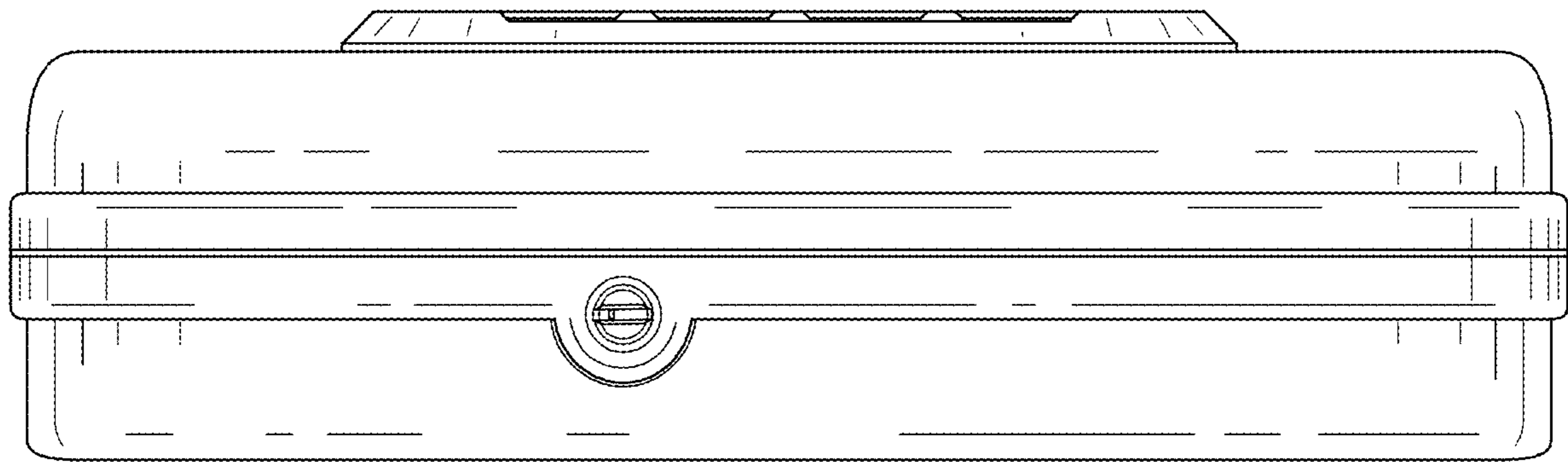


FIG. 3

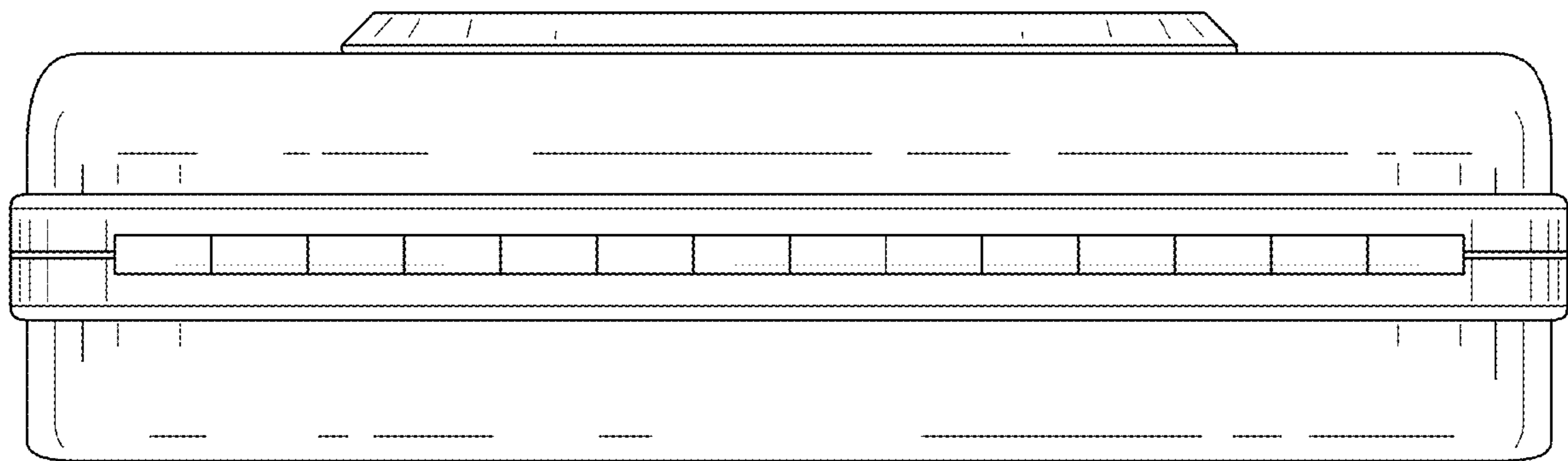


FIG. 4

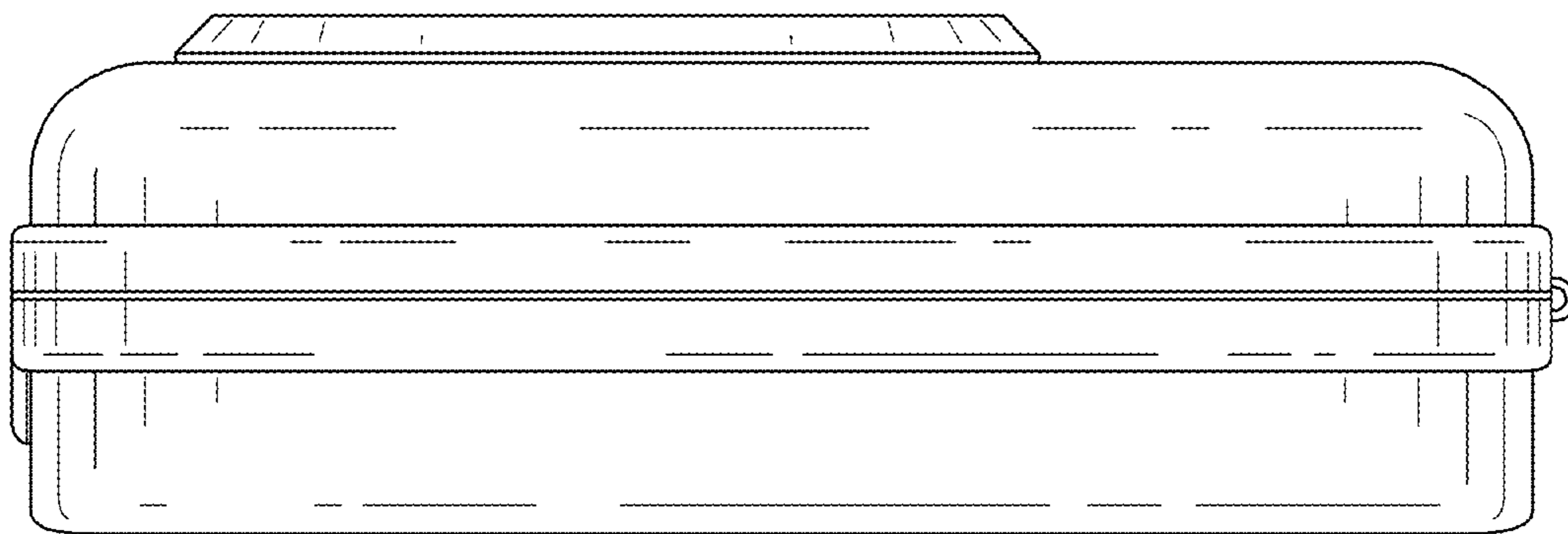


FIG. 5

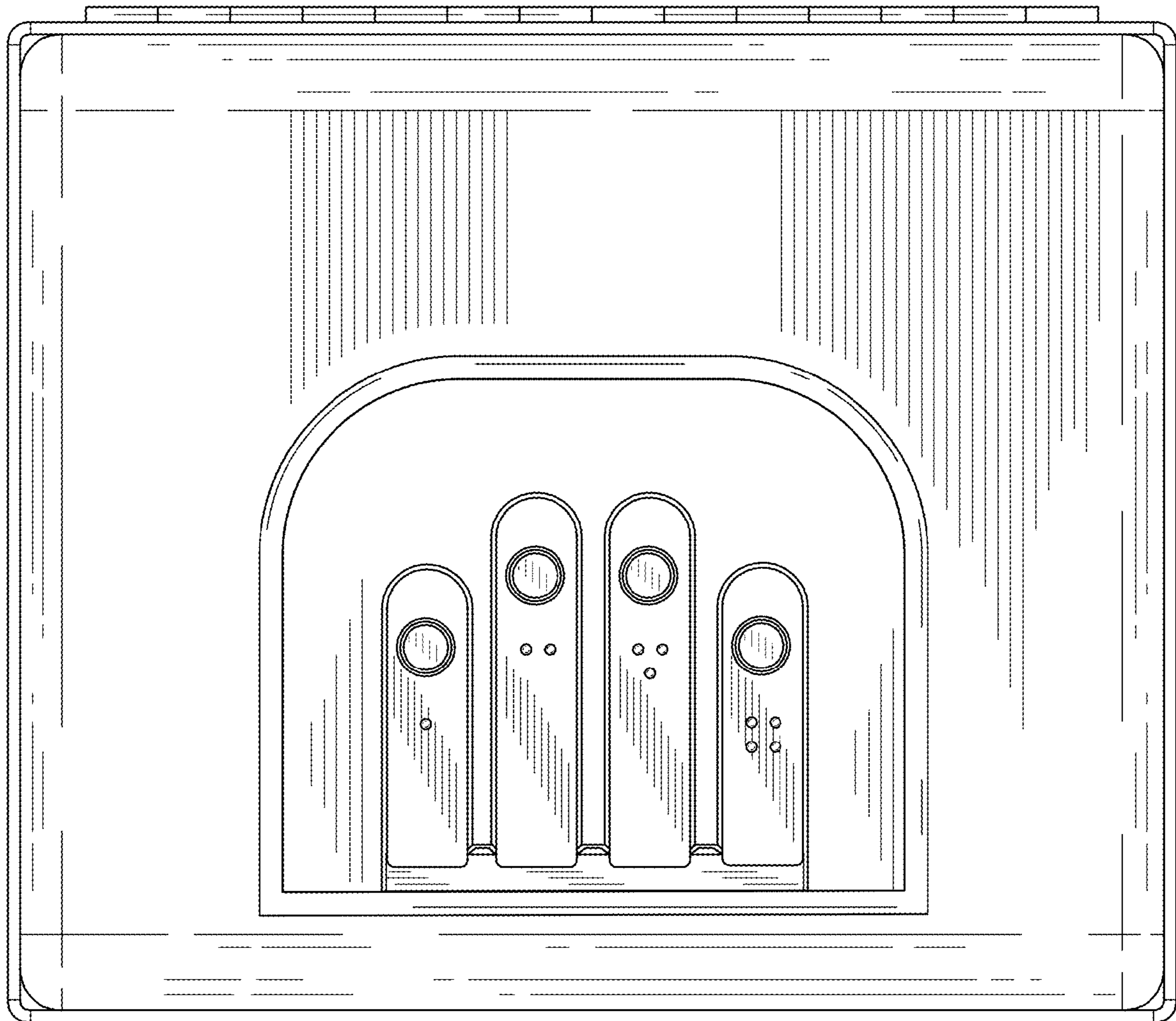


FIG. 6

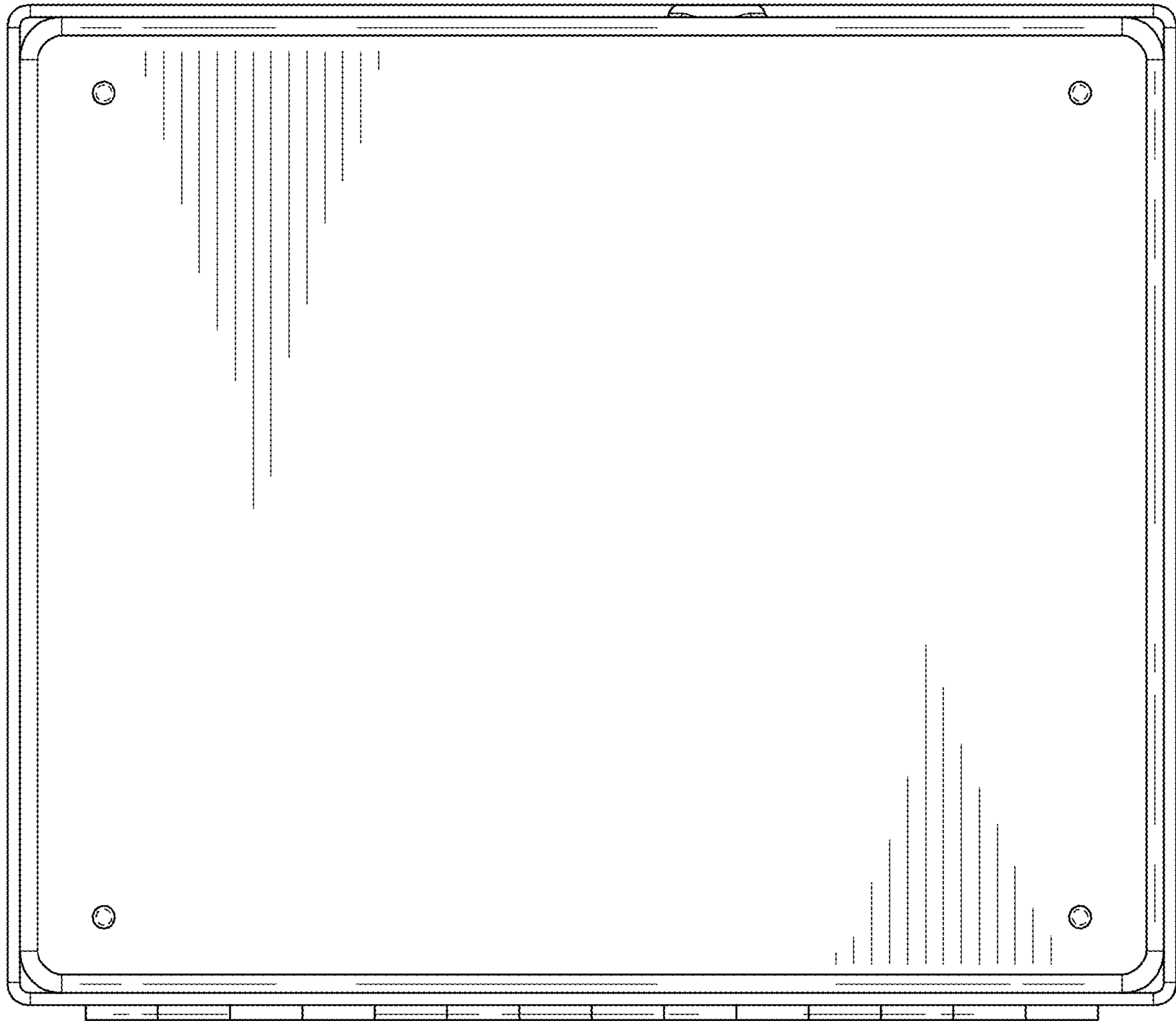


FIG. 7



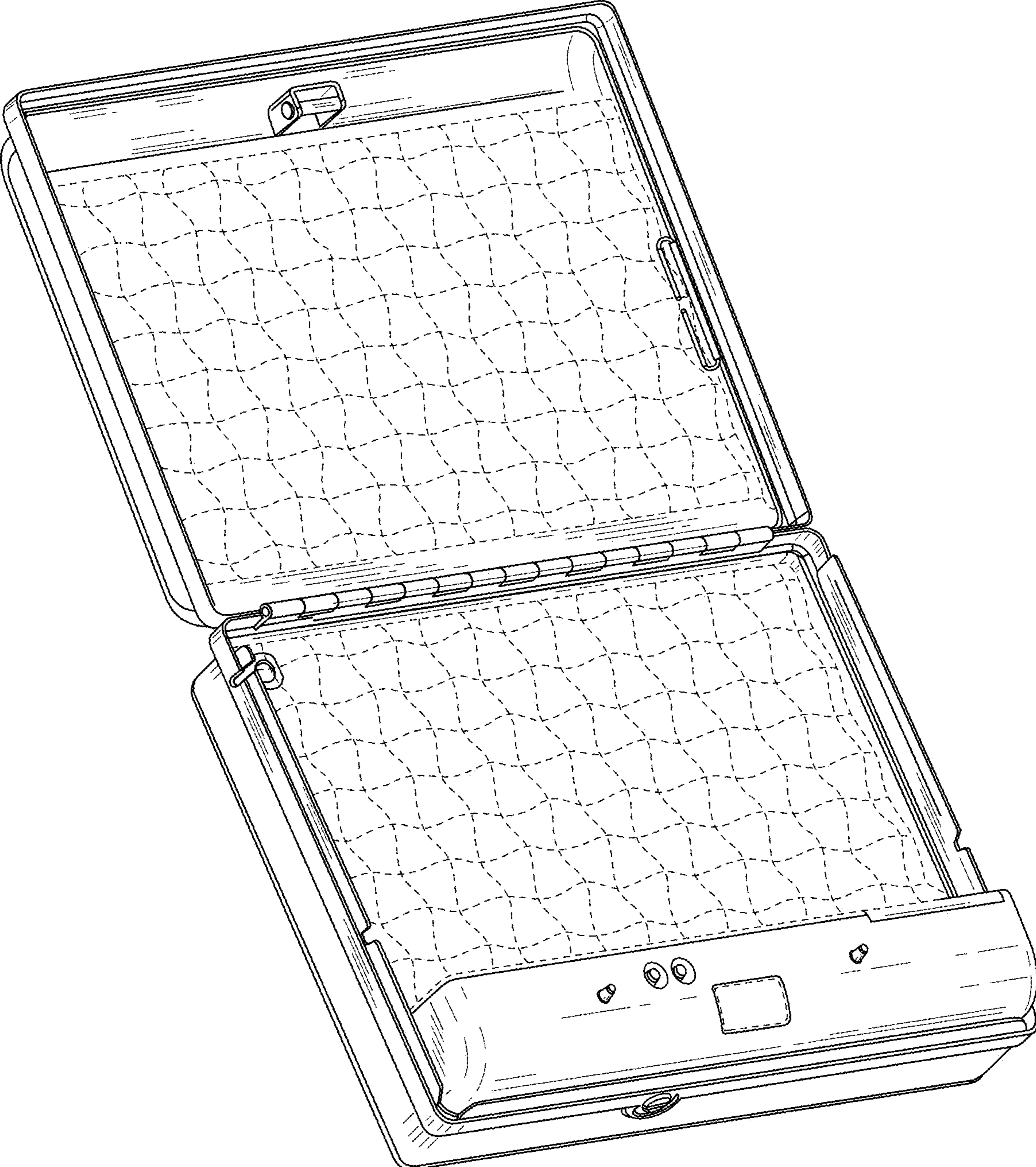


FIG. 8

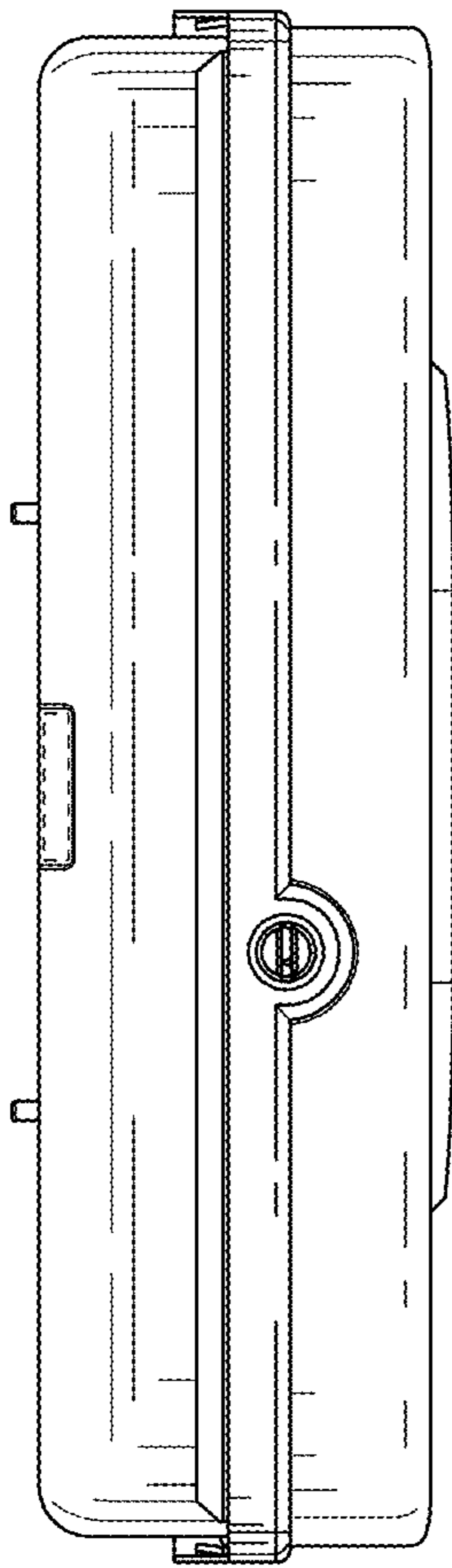


FIG. 9

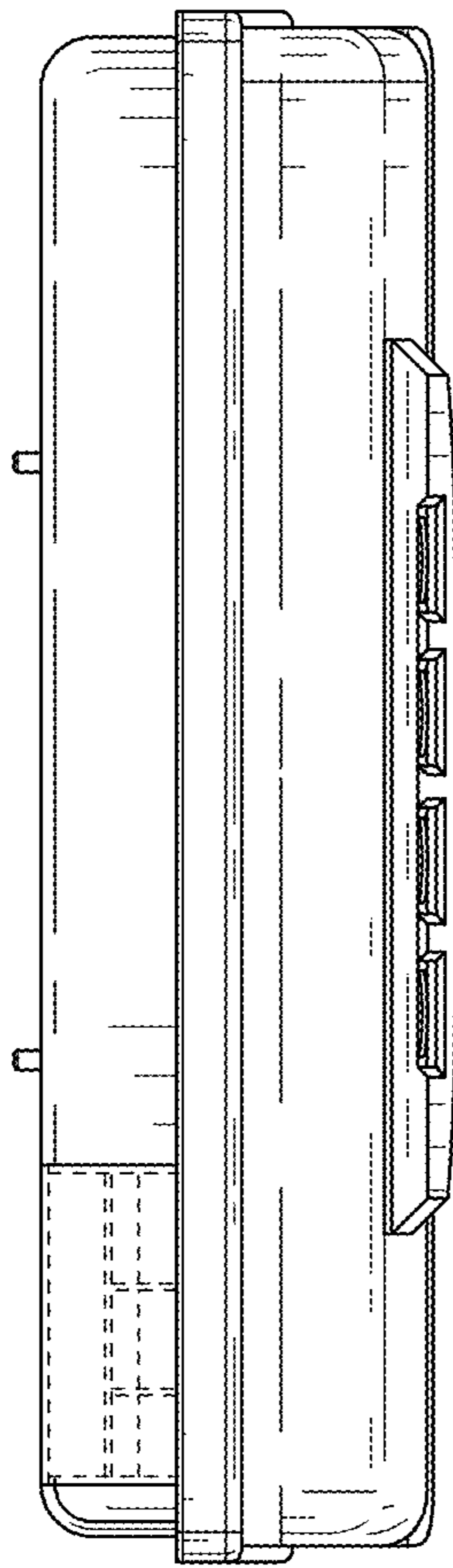


FIG. 10

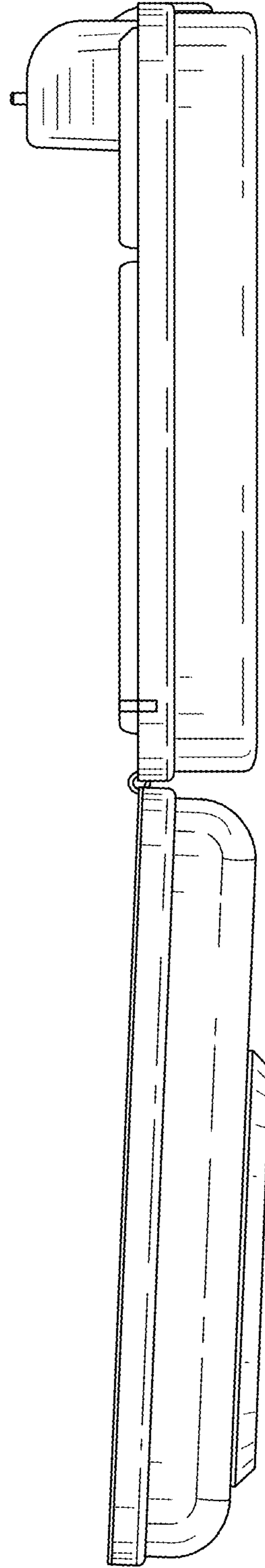


FIG. 11



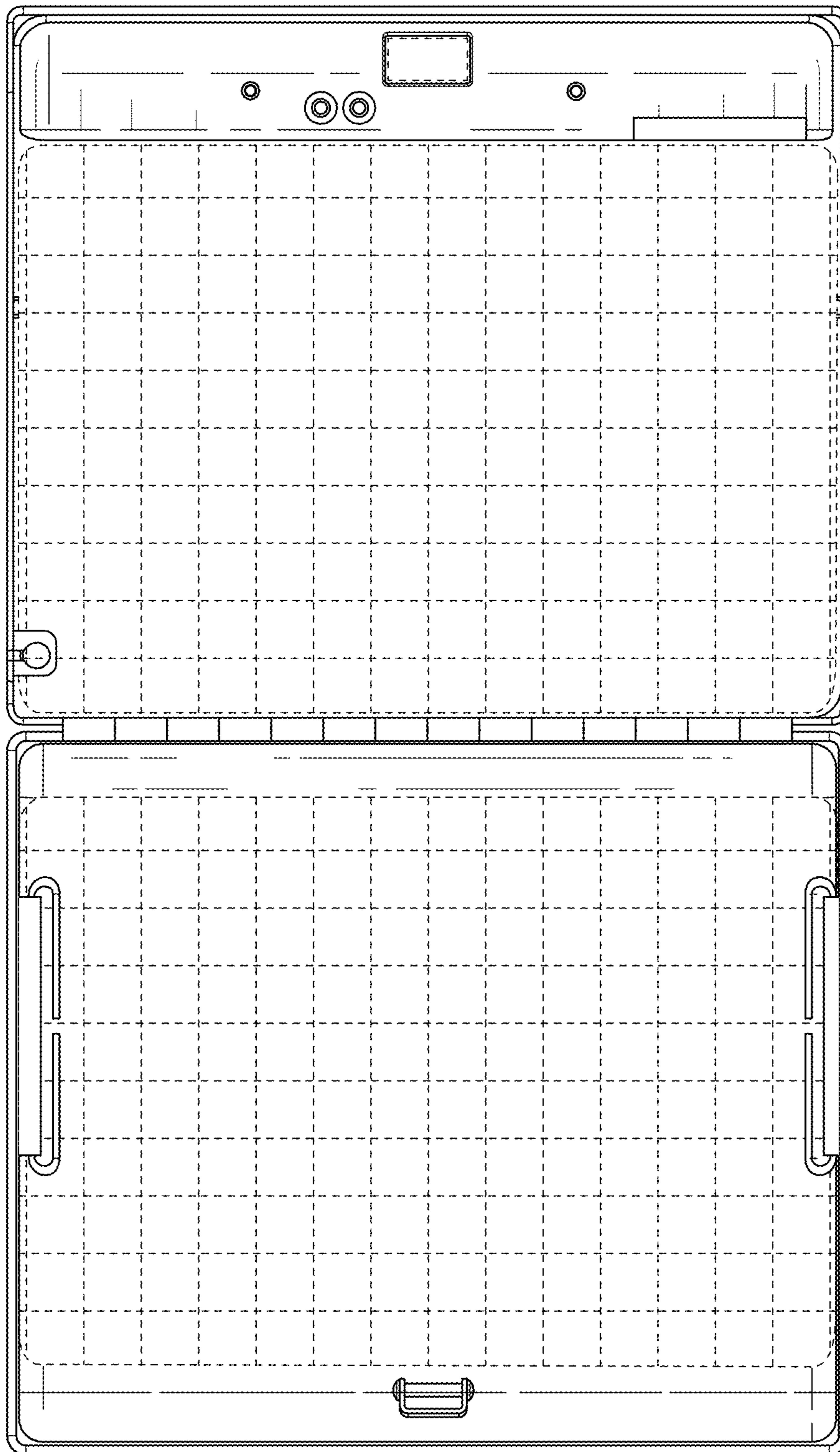


FIG. 12

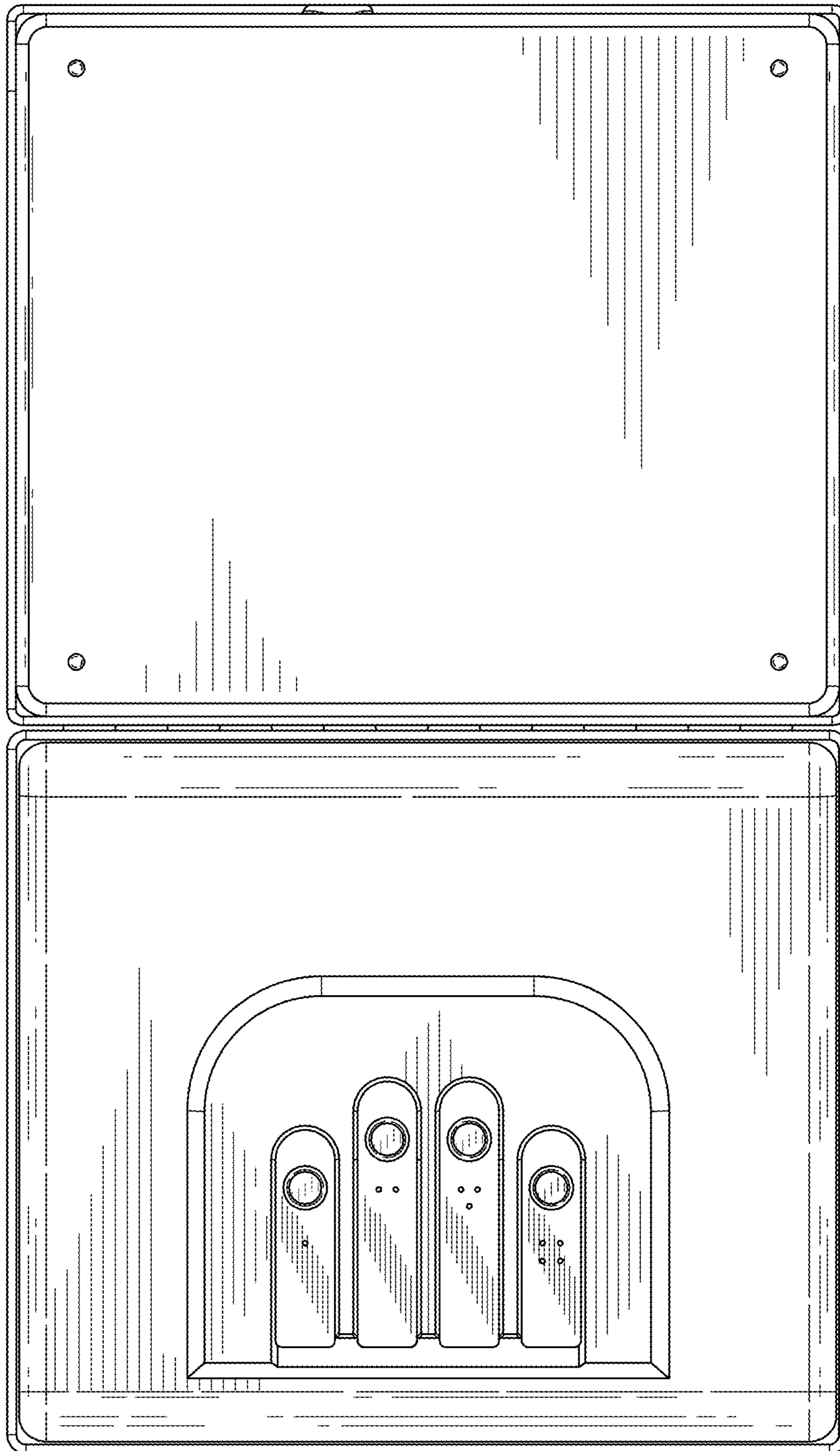


FIG. 13