



US00D969445S

(12) **United States Design Patent**
Deng

(10) **Patent No.:** **US D969,445 S**
(45) **Date of Patent:** **** Nov. 8, 2022**

(54) **SAFETY BOX**

(71) Applicant: **GUANGZHOU TSUNAMI INDUSTRIAL EQUIPMENT CO., LTD.**, Guangzhou (CN)

(72) Inventor: **Junlin Deng**, Guangzhou (CN)

(73) Assignee: **GUANGZHOU TSUNAMI INDUSTRIAL EQUIPMENT CO., LTD.**, Guangzhou (CN)

(**) Term: **15 Years**

(21) Appl. No.: **29/814,597**

(22) Filed: **Nov. 8, 2021**

(51) **LOC (13) Cl.** **99-00**

(52) **U.S. Cl.**
USPC **D99/28**

(58) **Field of Classification Search**
USPC D99/28, 34, 35, 36, 43, 99; D3/902, 905, D3/201, 272, 273; D18/3.1, 3.3, 12.1
CPC A45C 1/12; A45C 2001/125; A45C 2001/102; A45C 2001/104; A45C 2001/006; A45C 2001/003; A45C 2001/105; A45C 2001/107; E05G 1/00; E05G 1/005; E05G 1/024; E05G 1/026; E05G 5/00; E05G 7/00; E05G 7/001; E05G 2700/00; E05G 2700/02; B63C 7/30; G07D 9/00; G07D 9/002; G07D 9/004; G07D 9/006; G07D 9/008; G07D 9/02; G07D 9/04; G07D 9/06; G07D 9/065; G07D 11/00; G07D 11/0021; G07D 13/00; G07D 2201/00; G07D 2211/00; G07F 9/06; G07F 9/08
See application file for complete search history.

(56) **References Cited**

U.S. PATENT DOCUMENTS

D399,632 S * 10/1998 Davis D99/28
D542,529 S * 5/2007 Peart D3/276

D558,977 S * 1/2008 Peart D99/28
D624,275 S * 9/2010 Min D99/28
D635,324 S * 3/2011 Plato D99/28
D667,195 S * 9/2012 Guo D99/28
D732,264 S * 6/2015 Hine D99/28
D803,508 S * 11/2017 Horn D99/28
10,253,529 B1 * 4/2019 McGinn E05B 35/00
D855,984 S * 8/2019 Cavazos
D860,579 S * 9/2019 McCabe E05B 65/0075
D866,913 S * 11/2019 Xu D99/28
D893,123 S * 8/2020 Yu D99/28

(Continued)

OTHER PUBLICATIONS

OSPON Fingerprint Safe Box Password Storage Box Gun Security Solid Steel Portable Valuables Jewelry Box, <https://www.tvc-mall.com/details/ospon-fingerprint-safe-box-password-storage-box-gun-security-solid-steel-portable-valuables-jewelry-box-sku930900053a.html>, copyright 2022. (Year: 2022).*

(Continued)

Primary Examiner — Elizabeth J Oswecki

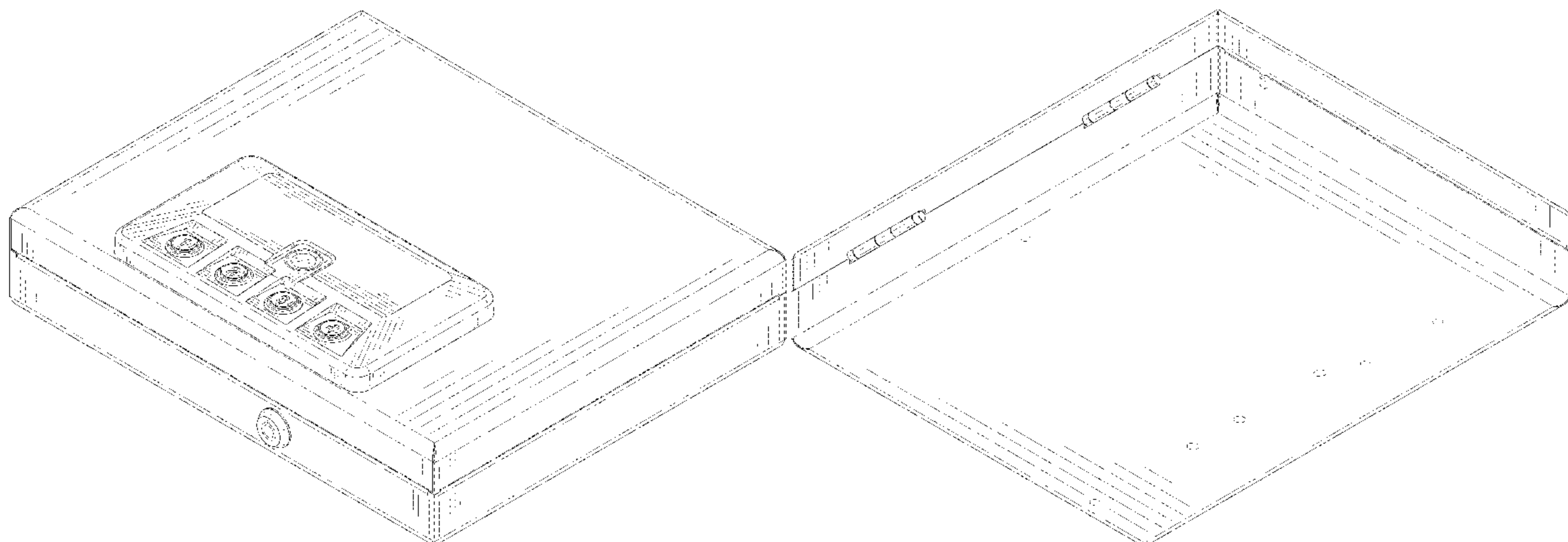
(57) **CLAIM**

The ornamental design for a safety box, as shown and described.

DESCRIPTION

FIG. 1 is a perspective view of a safety box showing my new design;
FIG. 2 is another perspective view thereof;
FIG. 3 is a front elevational view thereof;
FIG. 4 is a rear elevational view thereof;
FIG. 5 is a left side elevational view thereof;
FIG. 6 is a right side elevational view thereof;
FIG. 7 is a top plan view thereof; and,
FIG. 8 is a bottom plan view thereof.
The broken lines in the drawings depict portions of the safety box that form no part of the claimed design.

1 Claim, 8 Drawing Sheets



(56)

References Cited

U.S. PATENT DOCUMENTS

D904,724	S	*	12/2020	Zhang	D99/28
D912,365	S		3/2021	Shen		
D920,623	S	*	5/2021	Loeppert	D99/28
D924,535	S	*	7/2021	Culbreth	D99/28
D935,729	S	*	11/2021	Chen	D99/28
D935,730	S	*	11/2021	Shen	D99/28
D939,804	S	*	12/2021	Lu	D99/28
D939,805	S	*	12/2021	Qian	D99/28
D946,235	S	*	3/2022	Baker	D99/28
D952,985	S	*	5/2022	Zhu	D99/28
D954,384	S	*	6/2022	Zhu	D99/28
D954,385	S	*	6/2022	Zhu	D99/28
2004/0045329	A1	*	3/2004	Farnham	E05B 73/0005 70/161
2009/0071208	A1	*	3/2009	Wang	E05B 47/0603 70/277
2012/0042703	A1	*	2/2012	Chang	E05B 47/0603 70/63
2012/0042704	A1	*	2/2012	Chang	A45C 13/10 70/63
2012/0298018	A1	*	11/2012	McCabe	E05B 17/0025 109/51

OTHER PUBLICATIONS

7 Best Biometric Gun Safes: [Hands-On Tested], <https://www.pewpewtactical.com/best-biometric-gun-safes/>, Feb. 5, 2022. (Year: 2022).*

Vaultek Barikade Series 2 Rugged 1-Gun Biometric Gun Safe with Interior Lighting, <https://www.lowes.com/pd/Vaultek/5013366589>, copyright 2022. (Year: 2022).*

* cited by examiner

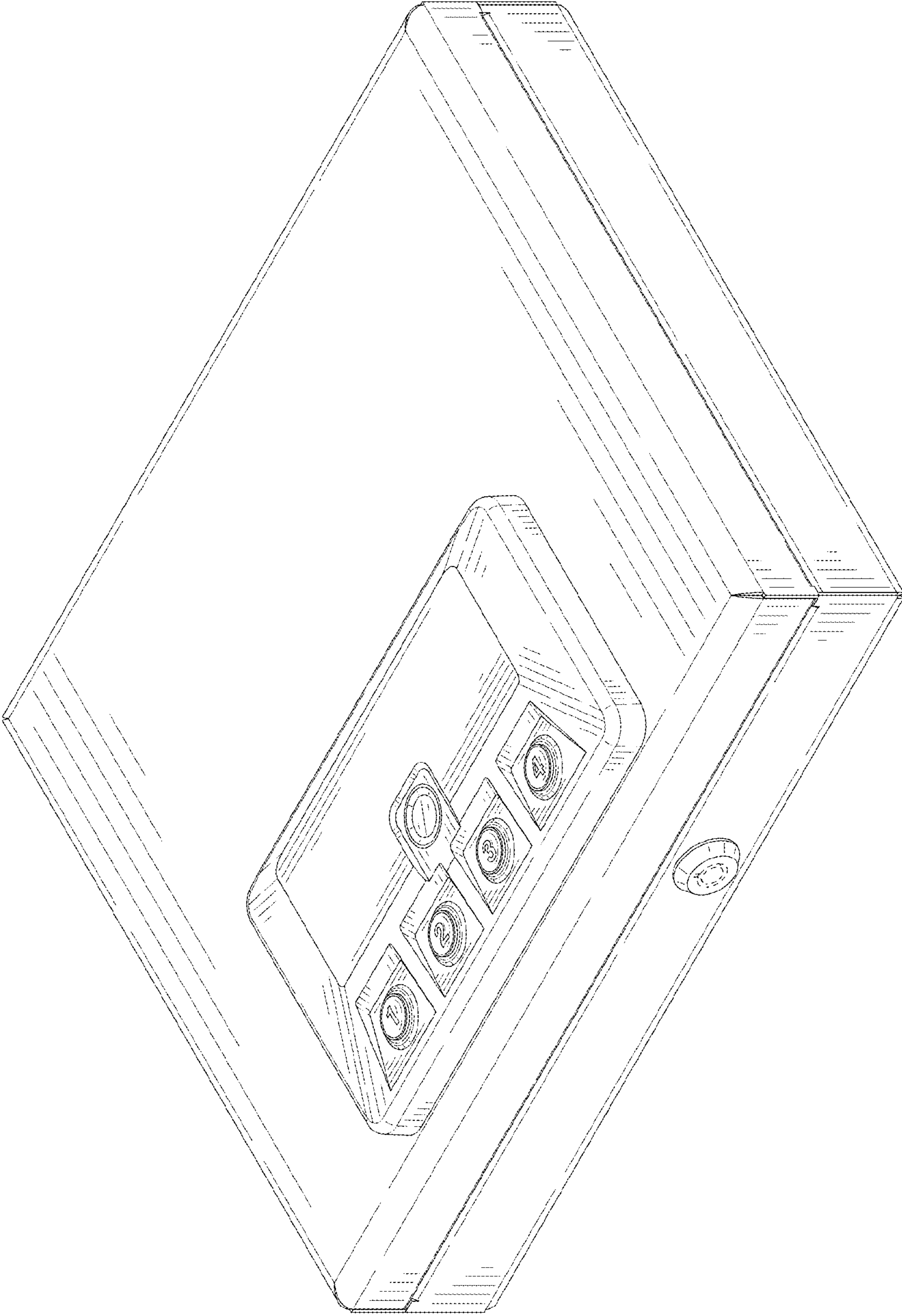


FIG. 1

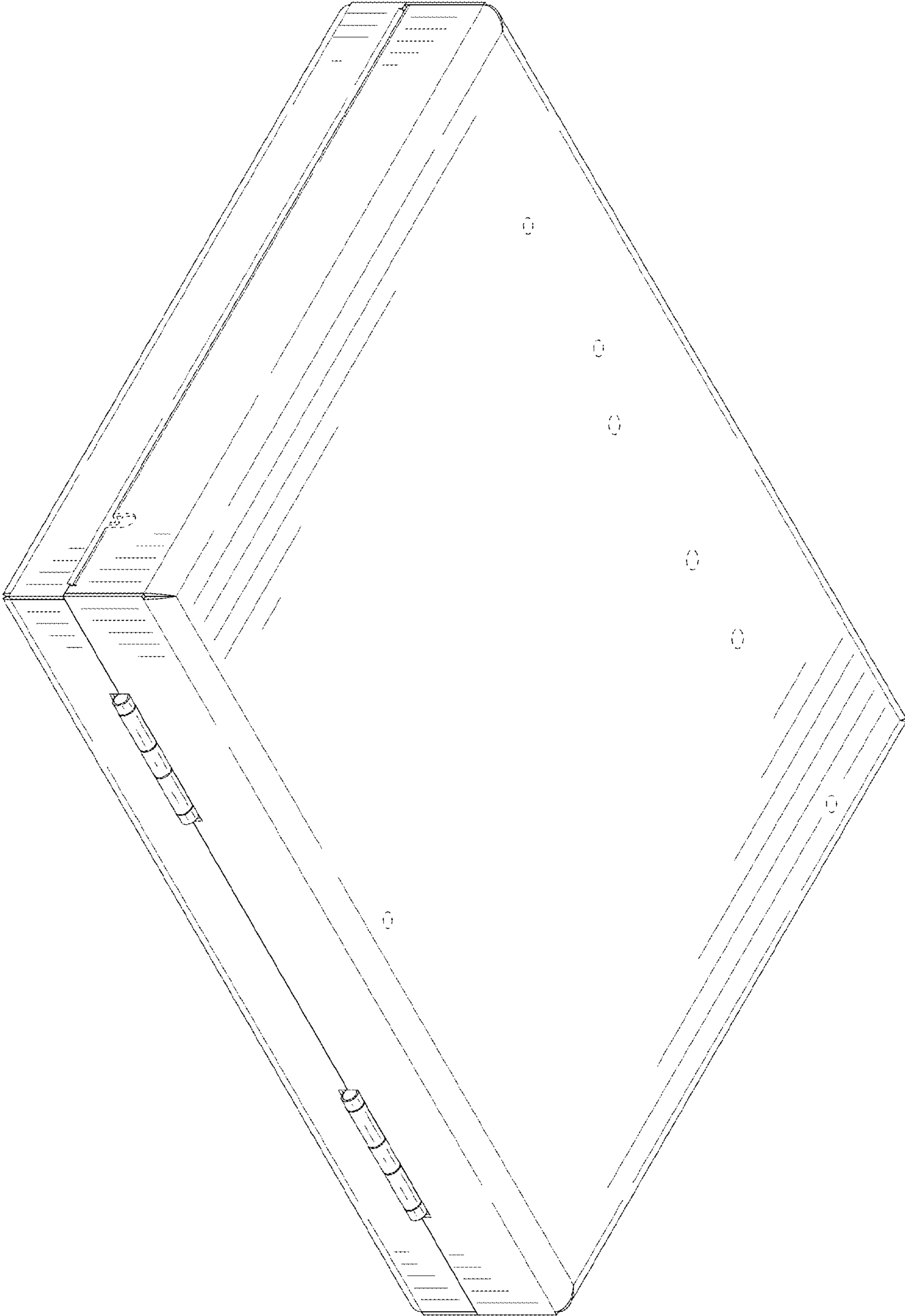


FIG. 2

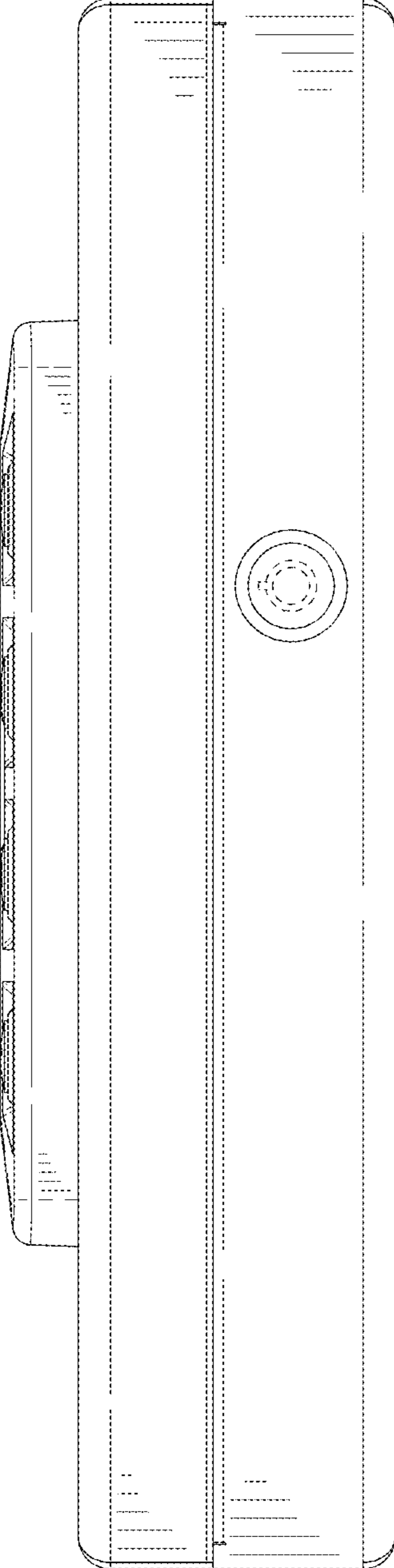


FIG. 3

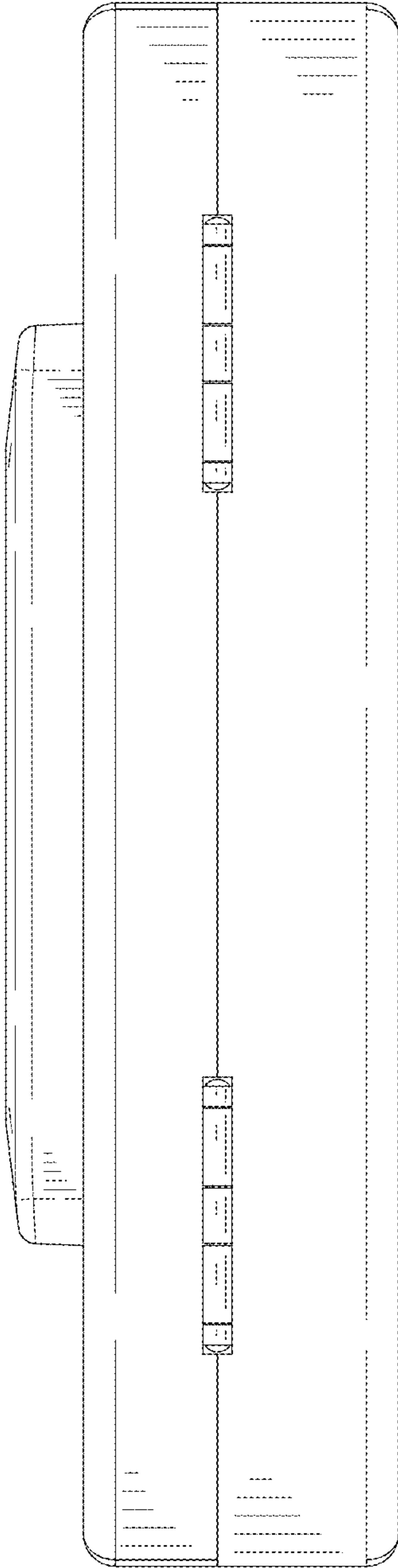


FIG. 4

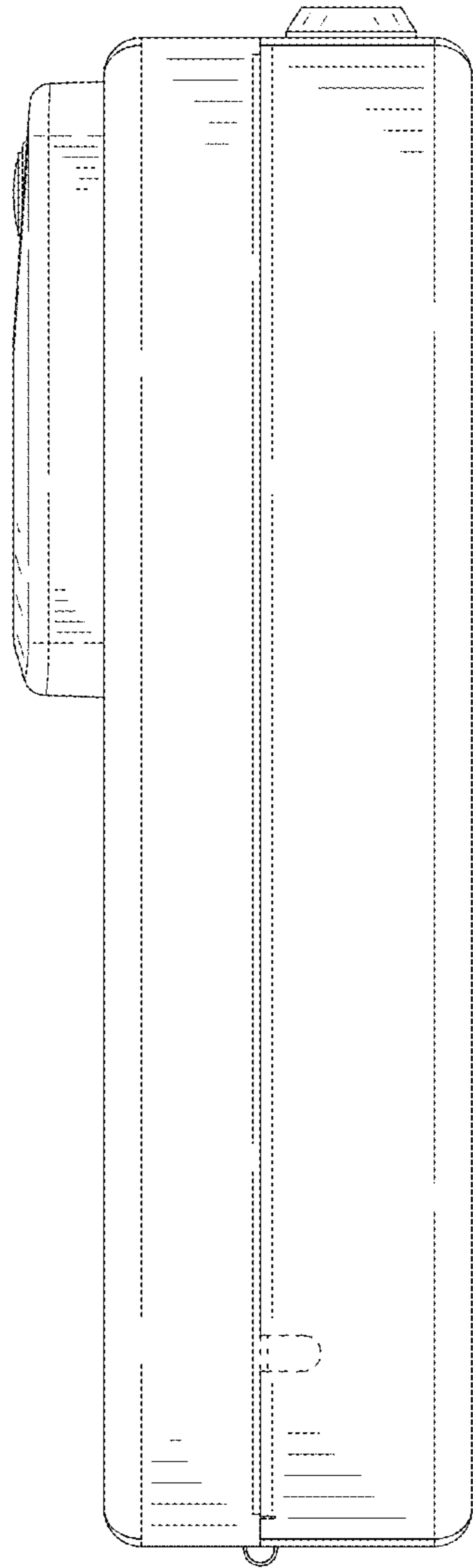


FIG. 5

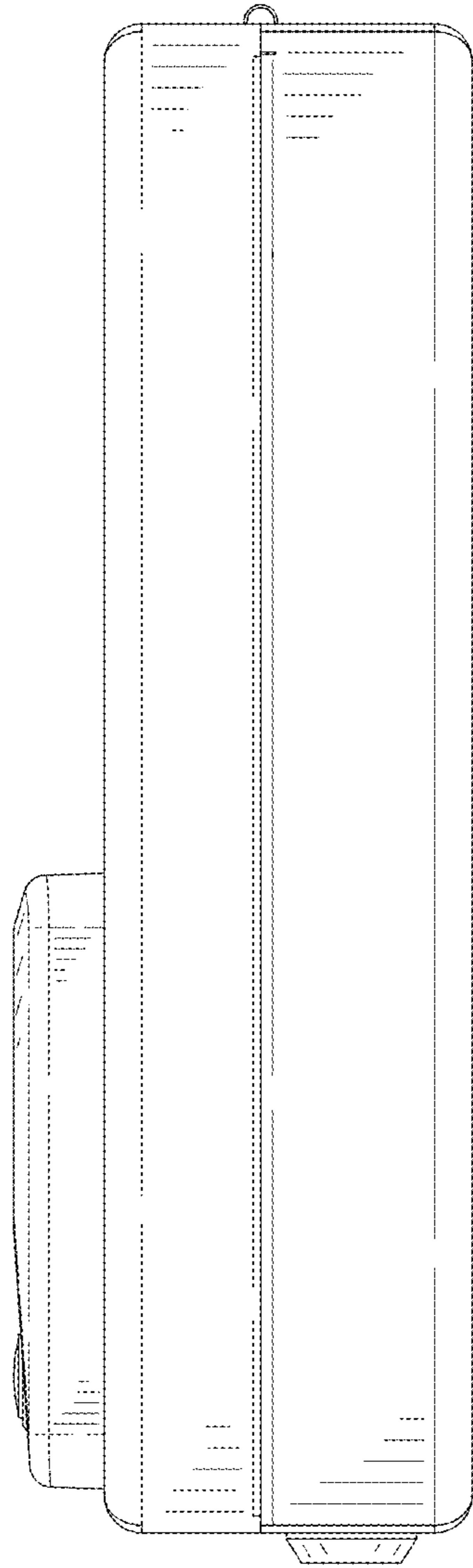


FIG. 6

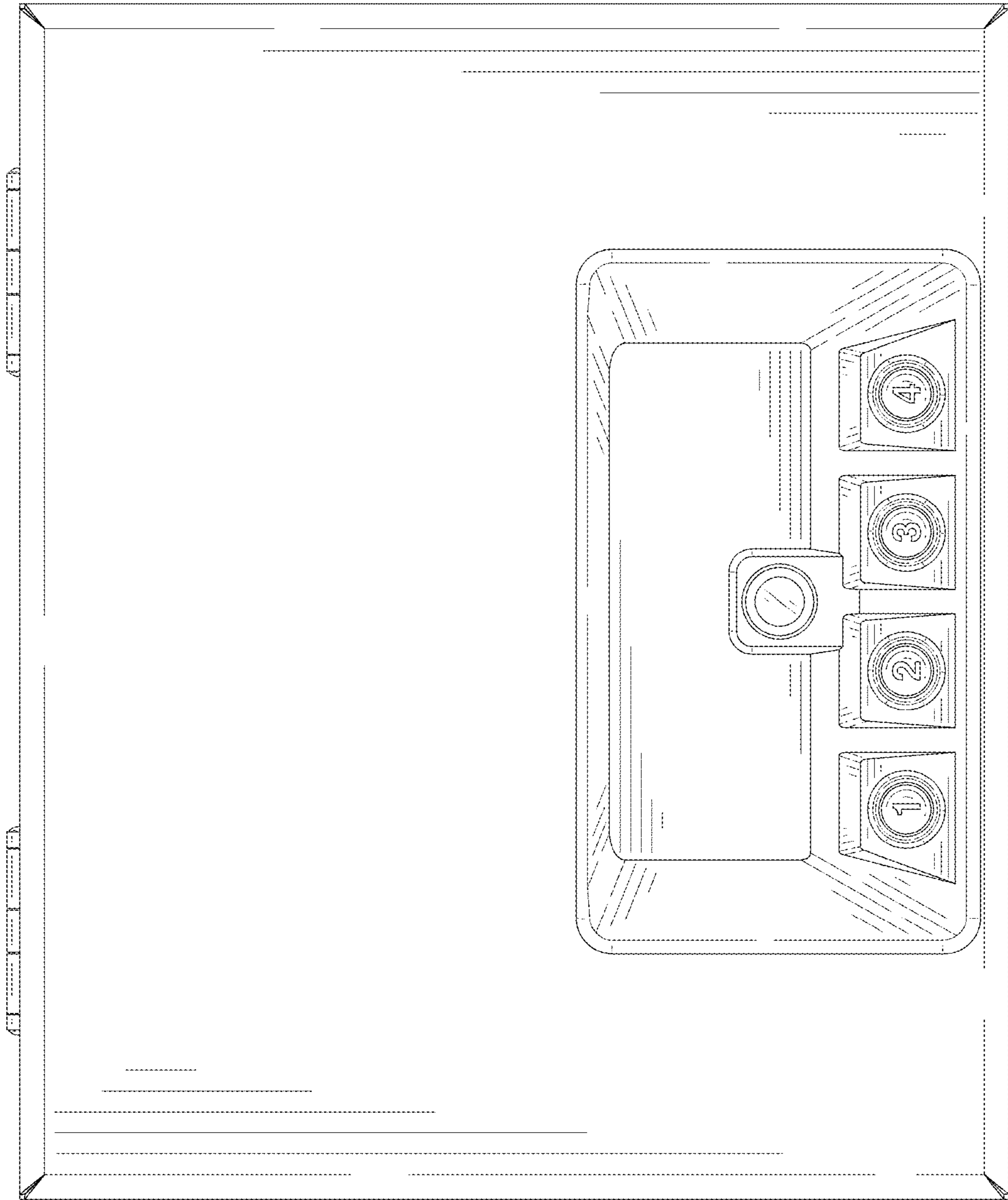


FIG. 7

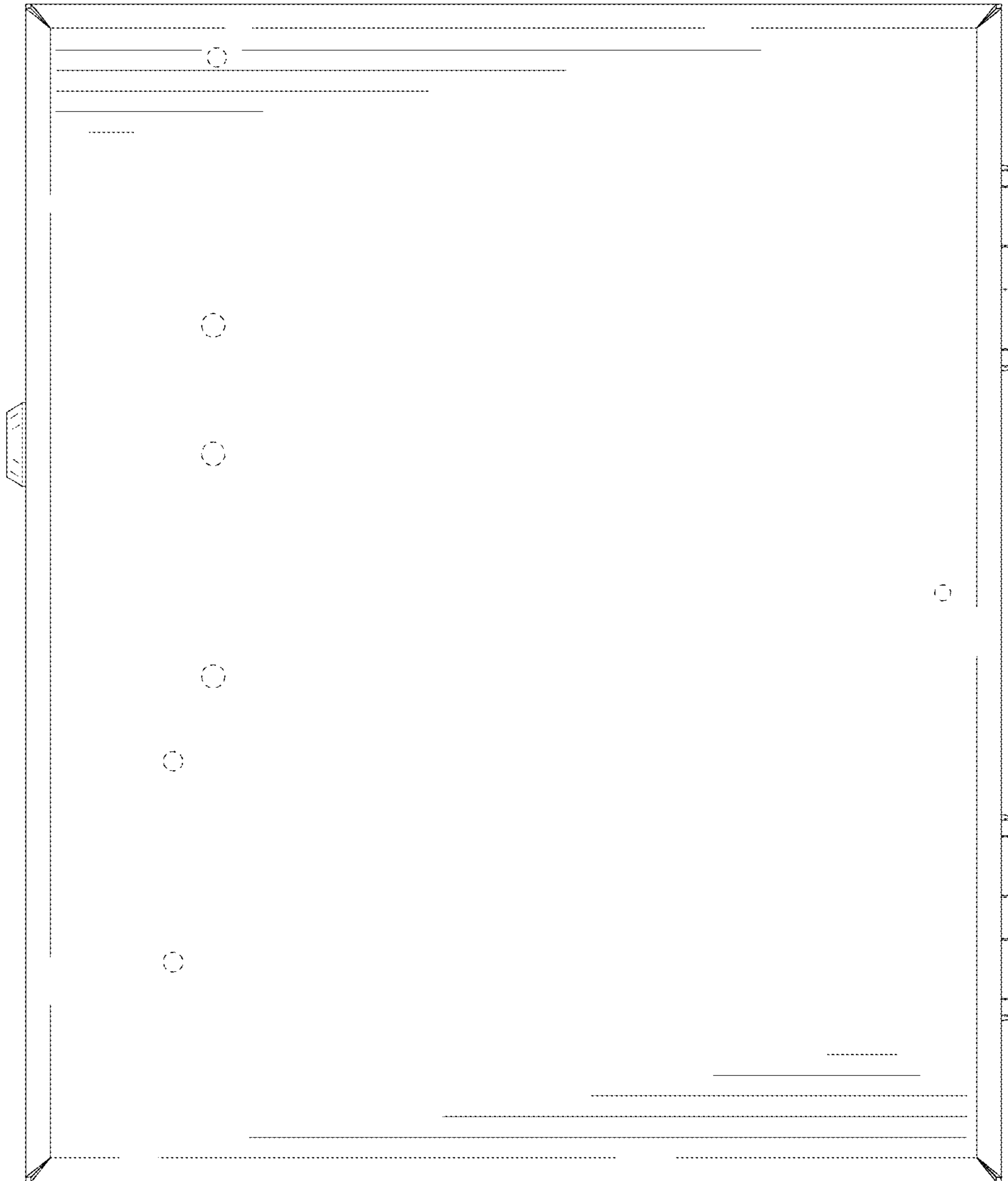


FIG. 8