



US00D969443S

(12) **United States Design Patent** (10) **Patent No.:** **US D969,443 S**
Aho et al. (45) **Date of Patent:** **** Nov. 8, 2022**

(54) WINCH CONTROL HANDLE	D799,144 S * 10/2017 Cui B66D 1/12 D34/33
(71) Applicant: ENGO Industries, LLC , Battle Ground, WA (US)	D799,779 S 10/2017 Aho D811,685 S * 2/2018 Fretz D34/33 D815,386 S * 4/2018 August D34/33 D816,937 S * 5/2018 Fretz D34/33 D816,938 S 5/2018 Fretz et al. D896,463 S * 9/2020 Saeger D34/33 D898,321 S 10/2020 Fretz et al. D898,322 S 10/2020 Fretz et al. D906,624 S * 12/2020 Wilcox B66D 1/00 D34/33
(72) Inventors: Drew V. Aho , Battle Ground, WA (US); Ting Cui , Ningbo (CN)	D923,281 S * 6/2021 Wilcox D34/33
(73) Assignee: ENGO Industries, LLC , Battle Ground, WA (US)	(Continued)
(**) Term: 15 Years	

(21) Appl. No.: **29/784,158**

(22) Filed: **May 18, 2021**

Related U.S. Application Data

(63) Continuation of application No. 29/777,965, filed on Apr. 9, 2021.

(51) **LOC (13) Cl.** **12-05**

(52) **U.S. Cl.**
USPC **D34/35**

(58) **Field of Classification Search**
USPC D34/33, 35; D8/300, 307, 308, 309, 311
CPC B66D 2700/00; B66D 1/12; B66D 1/00;
B66D 1/14; B66D 1/005; B66D 3/18;
B66D 3/20; B66D 5/34; B66D 1/7468
See application file for complete search history.

(56) **References Cited**

U.S. PATENT DOCUMENTS

D203,933 S * 3/1966 Griffith D8/308
D451,781 S * 12/2001 Vande Steeg D8/309
D550,924 S * 9/2007 Huang D34/33
D703,414 S * 4/2014 Fretz D34/33
D704,027 S * 5/2014 Trunek B25G 1/04 D8/308
D742,614 S 11/2015 Aho
D799,143 S * 10/2017 Cui D34/33

OTHER PUBLICATIONS

Reesehitches.com Jul. 8, 2022, Superwinch SX10SR 12V synthetic rope winch, <https://www.reesehitches.com/products/W-1710201> (Year: 2022).*

(Continued)

Primary Examiner — Cynthia Ramirez

(74) *Attorney, Agent, or Firm* — Luedeka Neely Group, P.C.

(57) **CLAIM**

The ornamental design for a winch control handle, as shown and described.

DESCRIPTION

FIG. 1 is a front perspective view of a winch control handle showing our new design;

FIG. 2 is a top plan view thereof; and

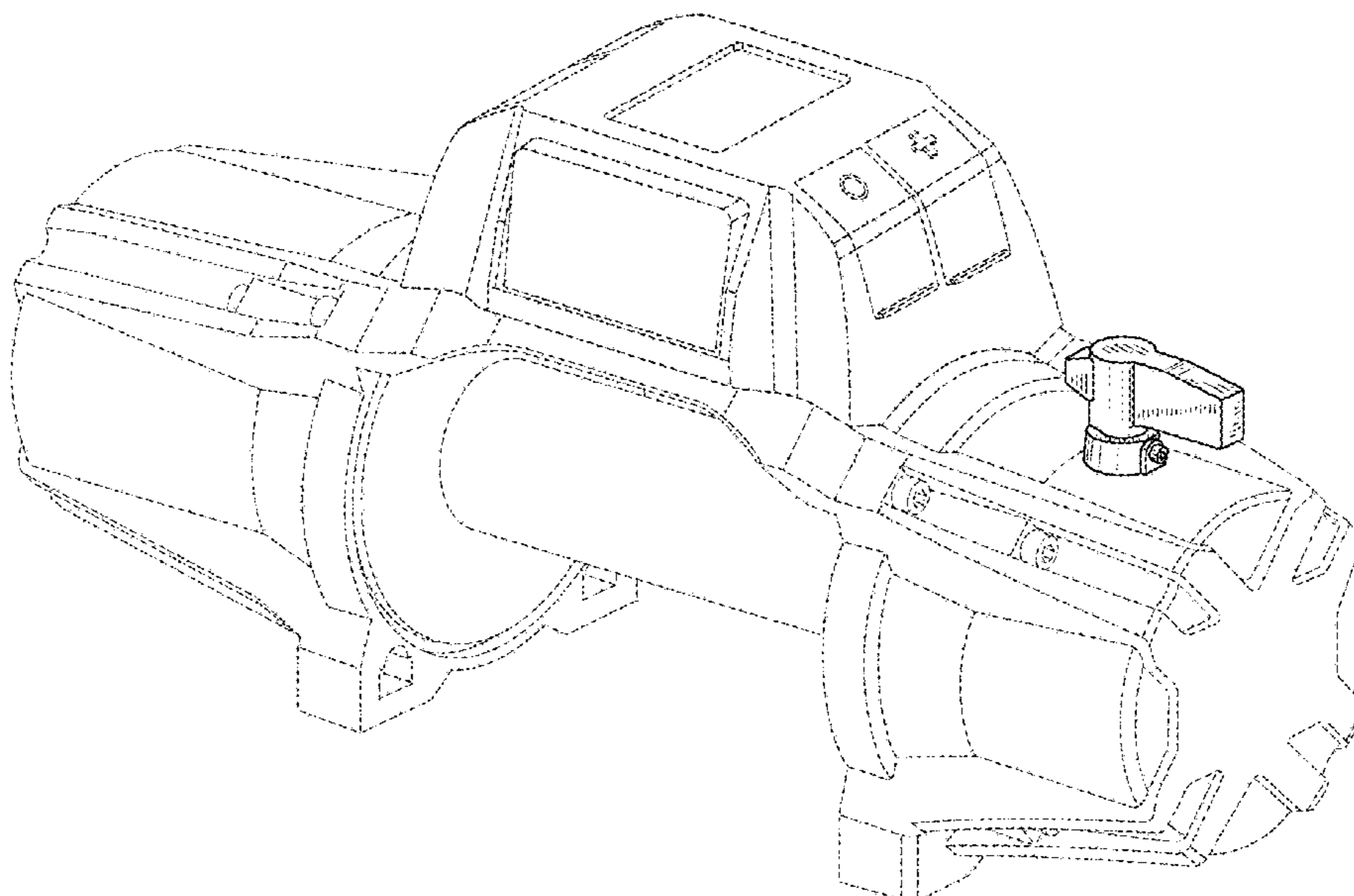
FIG. 3 is a front elevation view thereof;

FIG. 4 is a rear elevation view thereof; and,

FIG. 5 is a right side elevation view thereof.

The broken lines in the figures show portions of the winch control handle, which form no part of the claimed design.

1 Claim, 5 Drawing Sheets



(56)

References Cited

U.S. PATENT DOCUMENTS

D923,906 S * 6/2021 Fogg B66D 5/16
D34/33
D944,250 S * 2/2022 Lavallee D8/308
D948,988 S * 4/2022 Elser D8/307
D950,185 S * 4/2022 Elliott B25G 1/04
D34/33
2018/0118528 A1 * 5/2018 August G05B 11/32
2018/0118530 A1 * 5/2018 August B66D 1/12
2018/0118531 A1 * 5/2018 August B66D 5/16
2021/0139299 A1 * 5/2021 Crain B66D 1/00

OTHER PUBLICATIONS

Warn Standard Duty Winches, Accessed at <https://www.warn.com/standard-duty-series-vr-evo>.

* cited by examiner

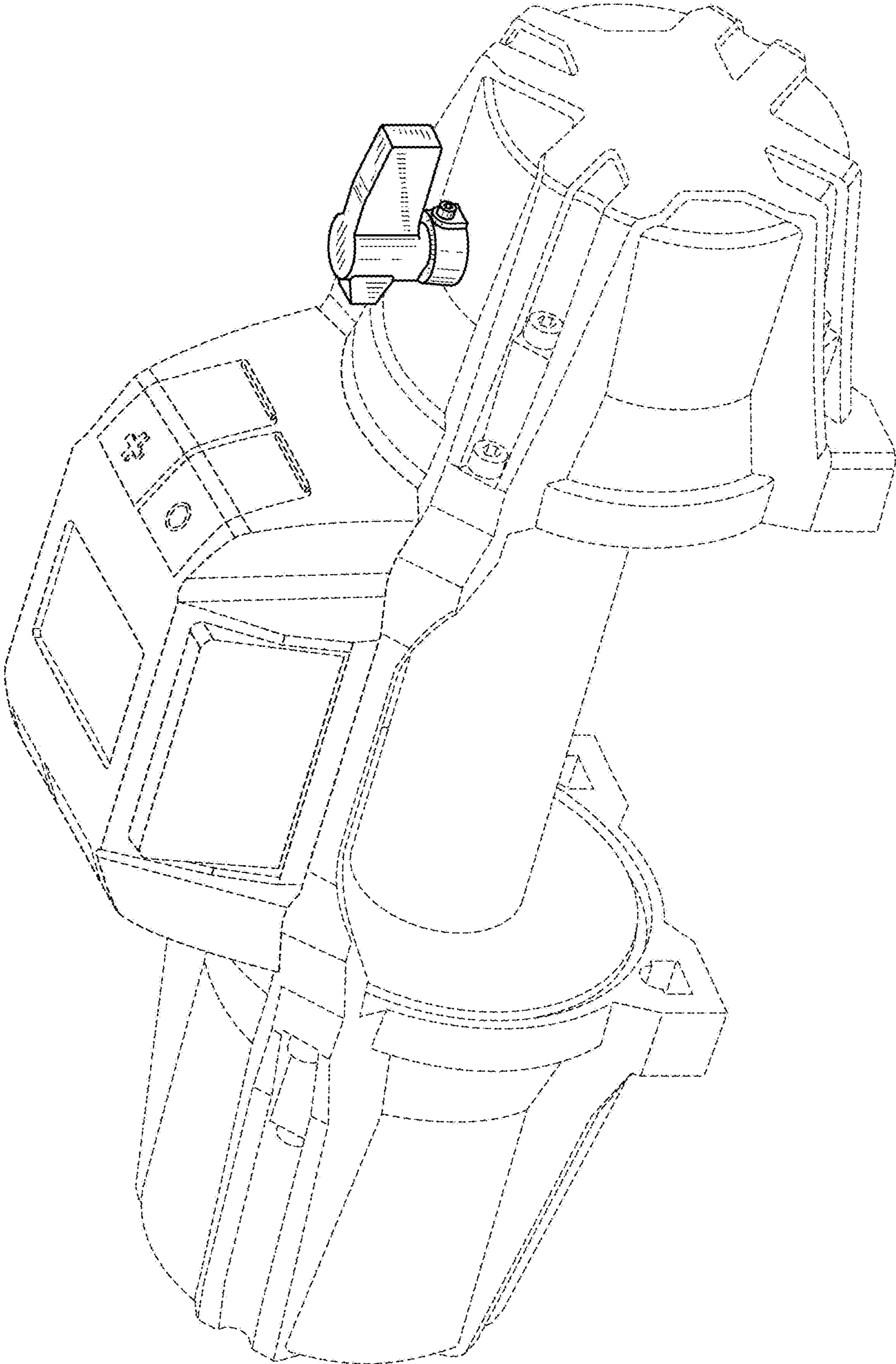


FIG. 1

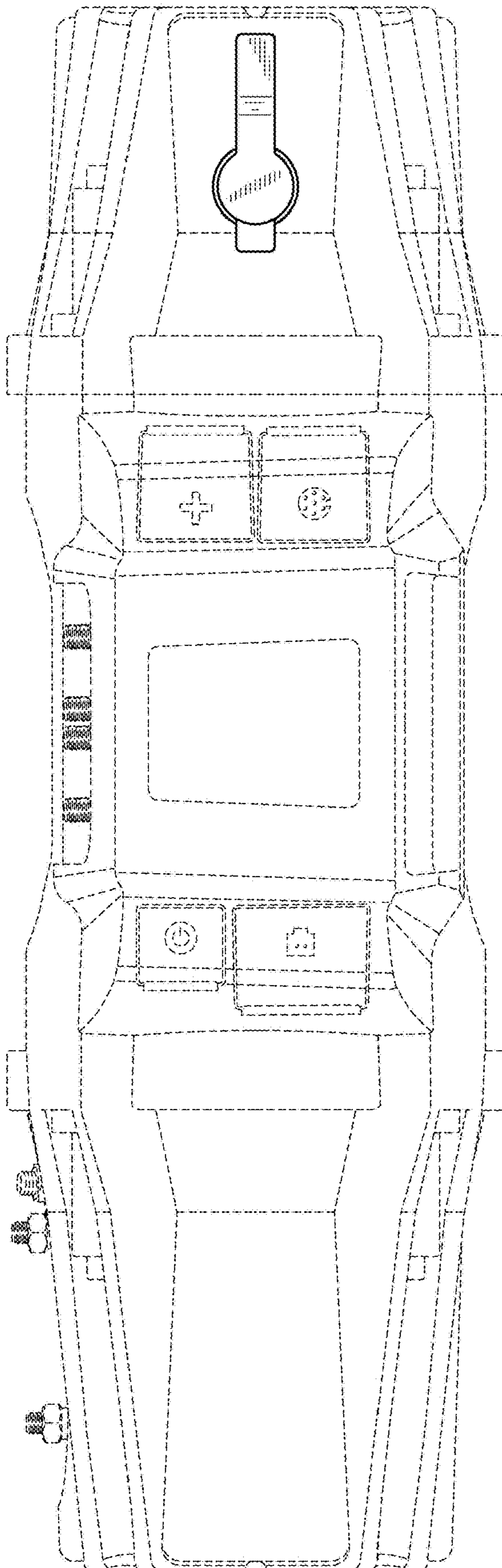


FIG. 2

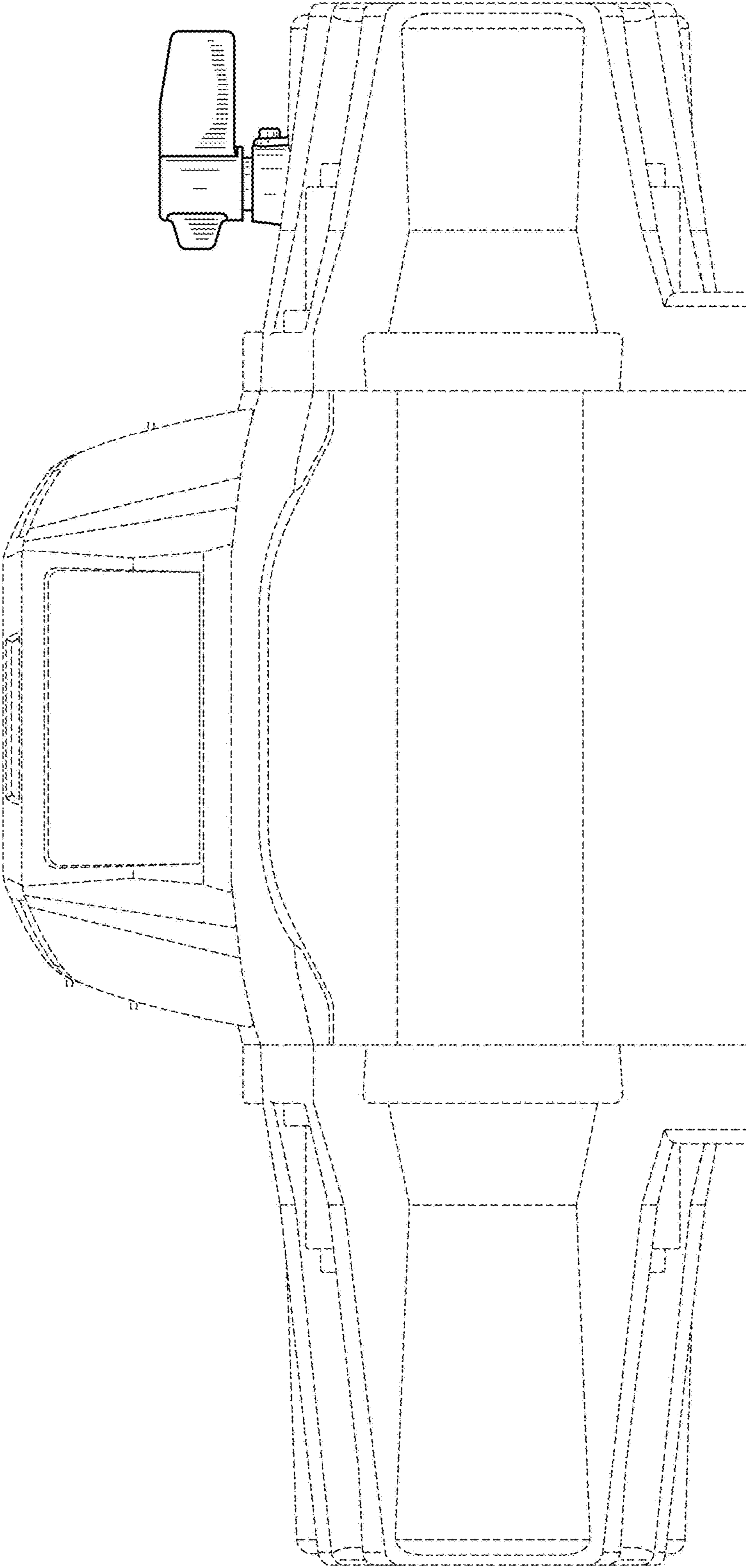


FIG. 3

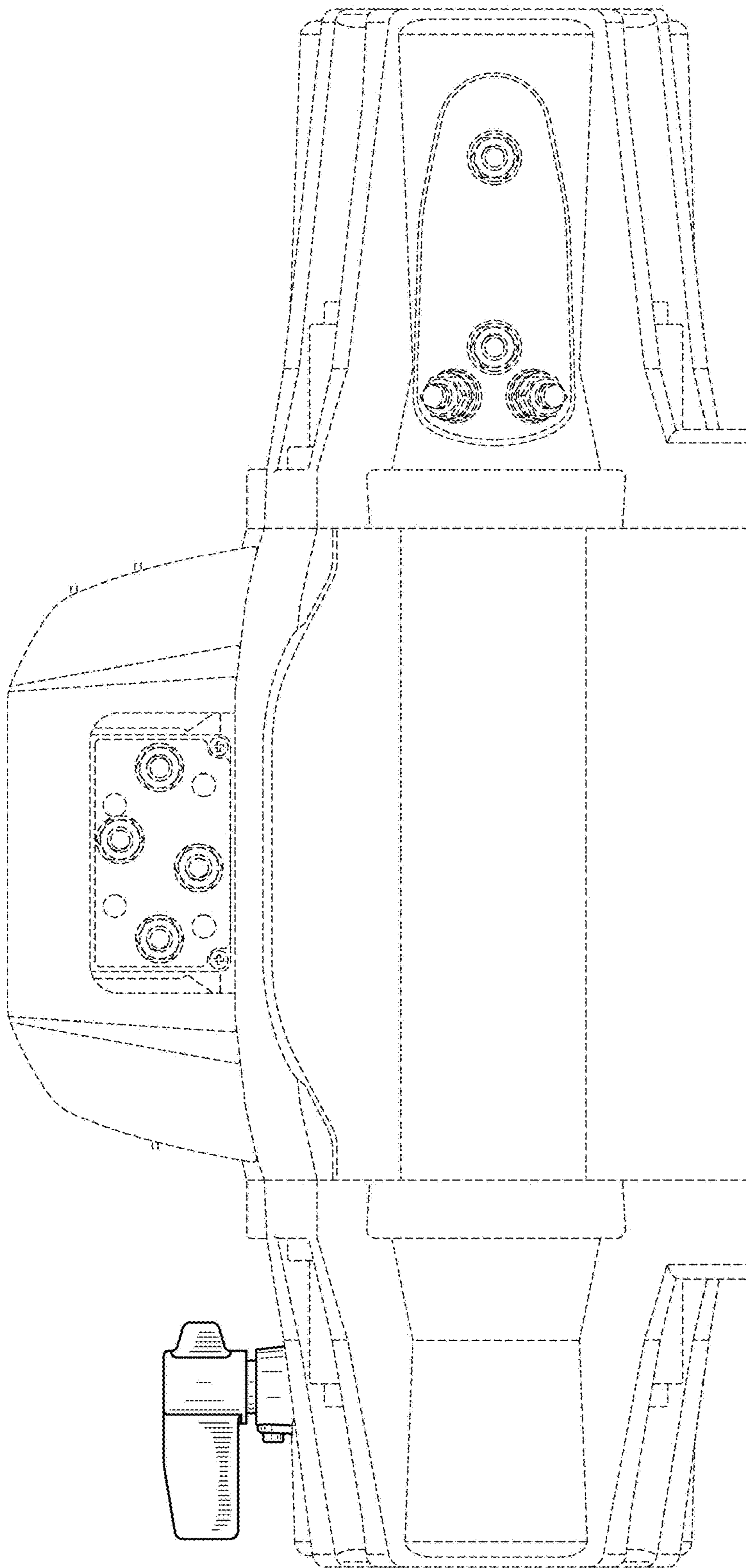


FIG. 4

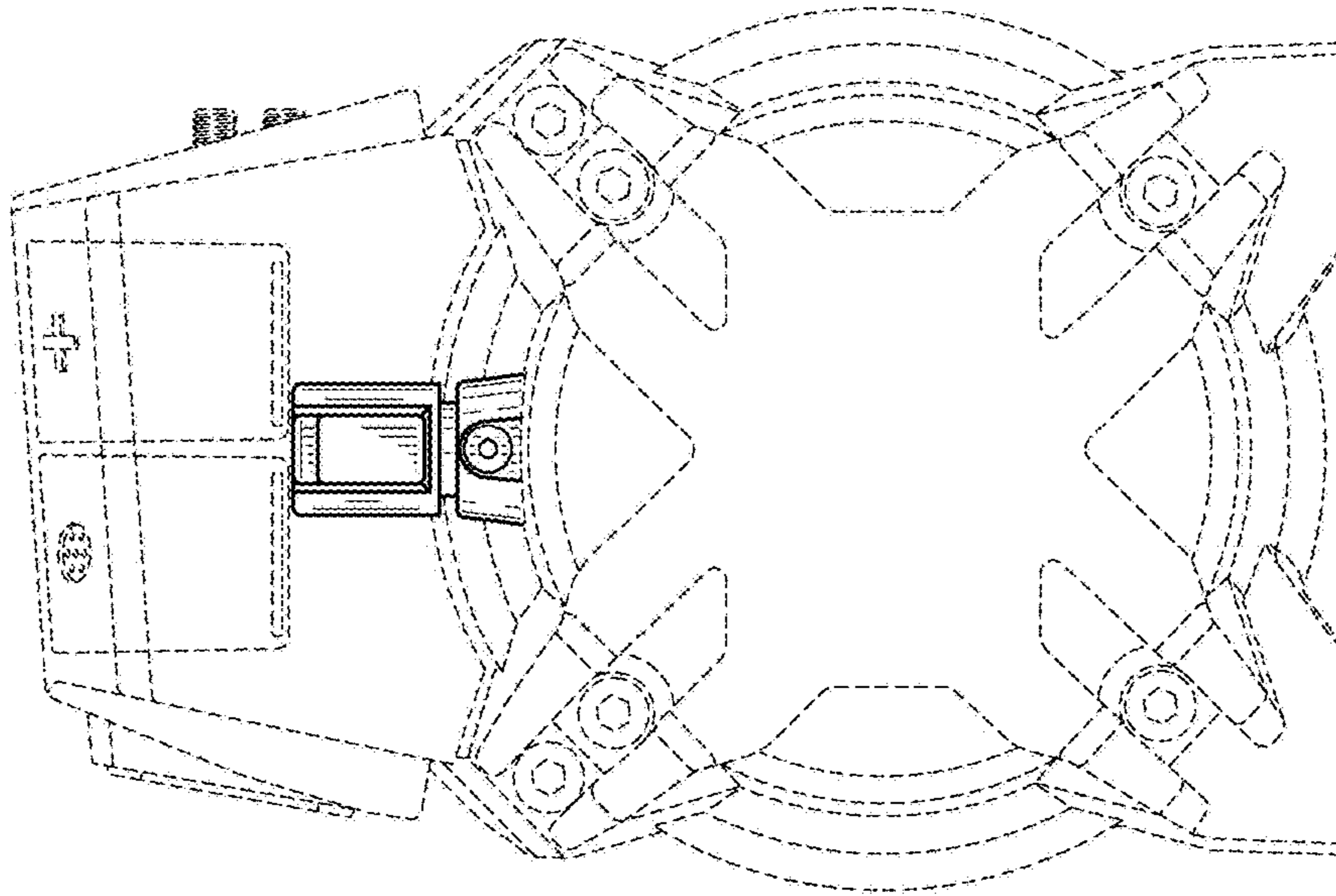


FIG. 5