

US00D969442S

(12) **United States Design Patent** (10) **Patent No.:** **US D969,442 S**
Lee (45) **Date of Patent:** **** Nov. 8, 2022**

(54) FORKLIFT	8,594,869 B2 * 11/2013 Hwang B66F 9/24 903/903
(71) Applicant: Doosan Corporation , Seoul (KR)	D731,737 S * 6/2015 Seimiya D34/34
(72) Inventor: Juhyoung Lee , Seoul (KR)	D756,058 S * 5/2016 Kang D34/34
(73) Assignee: DOOSAN INDUSTRIAL VEHICLE CO., LTD. , Incheon (KR)	D778,524 S * 2/2017 Kang D34/34
(**) Term: 15 Years	D782,770 S * 3/2017 Kang D34/34
(21) Appl. No.: 29/774,328	D790,148 S * 6/2017 Kang D34/34
(22) Filed: Mar. 16, 2021	D790,149 S * 6/2017 Kang D34/34
(30) Foreign Application Priority Data	9,981,835 B2 * 5/2018 Kim B66F 9/0755
Sep. 28, 2020 (KR) 30-2020-0046890	D904,722 S * 12/2020 Ryu D34/31
(51) LOC (13) Cl. 12-05	D908,304 S * 1/2021 Park D34/31
(52) U.S. Cl.	D908,305 S * 1/2021 Park D34/34
USPC D34/34	D923,282 S * 6/2021 Yoshioka D34/34
(58) Field of Classification Search	2012/0145486 A1 * 6/2012 Lemke B66F 9/24 187/233
USPC D34/34; D15/199	
CPC ... B62B 3/0612; B62B 3/0618; B62B 5/0069; B62B 5/0438; B66F 9/22; B66F 9/24; B66F 9/085; B66F 9/061; B66F 9/186; B66F 9/063; B66F 7/00; B66F 7/10; B66F 7/24	
See application file for complete search history.	

* cited by examiner

Primary Examiner — Cynthia Ramirez
(74) *Attorney, Agent, or Firm* — Ladas & Parry LLP

(57) **CLAIM**

I claim the ornamental design for a forklift, as shown and described.

DESCRIPTION

FIG. 1 is a front perspective view of a forklift showing my new design;
FIG. 2 is a front view thereof;
FIG. 3 is a rear view thereof;
FIG. 4 is a left-side view thereof;
FIG. 5 is a right-side view thereof;
FIG. 6 is a top view thereof; and,
FIG. 7 is a bottom view thereof.
The broken lines in the figures show portions of a forklift which form no part of the claimed design.

1 Claim, 7 Drawing Sheets

(56) **References Cited**

U.S. PATENT DOCUMENTS

D389,982 S * 1/1998 Kim D34/28
D594,172 S * 6/2009 Shibata D34/34
D594,173 S * 6/2009 Shibata D34/34
D664,323 S * 7/2012 Lee D34/34

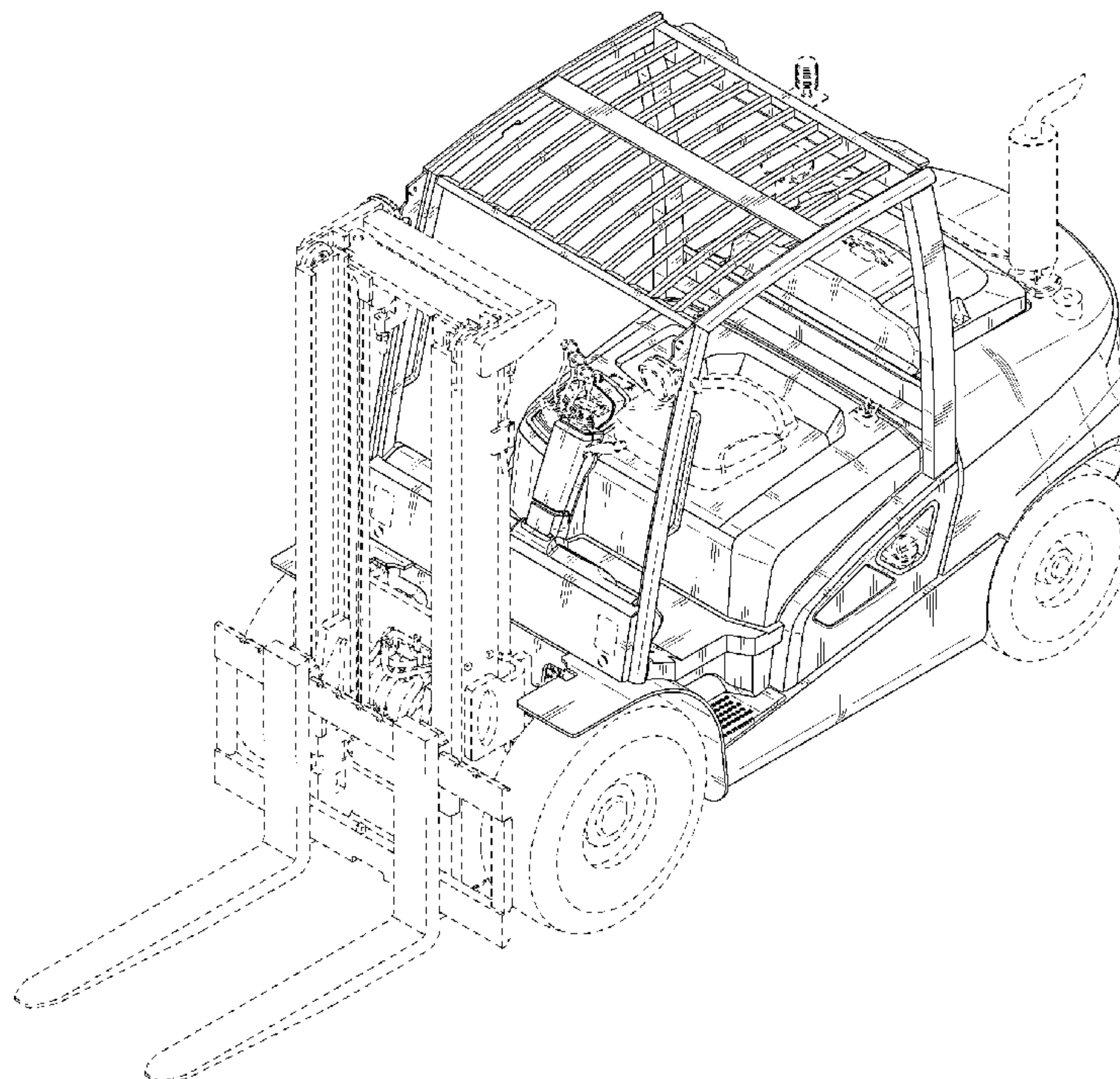


FIG. 1

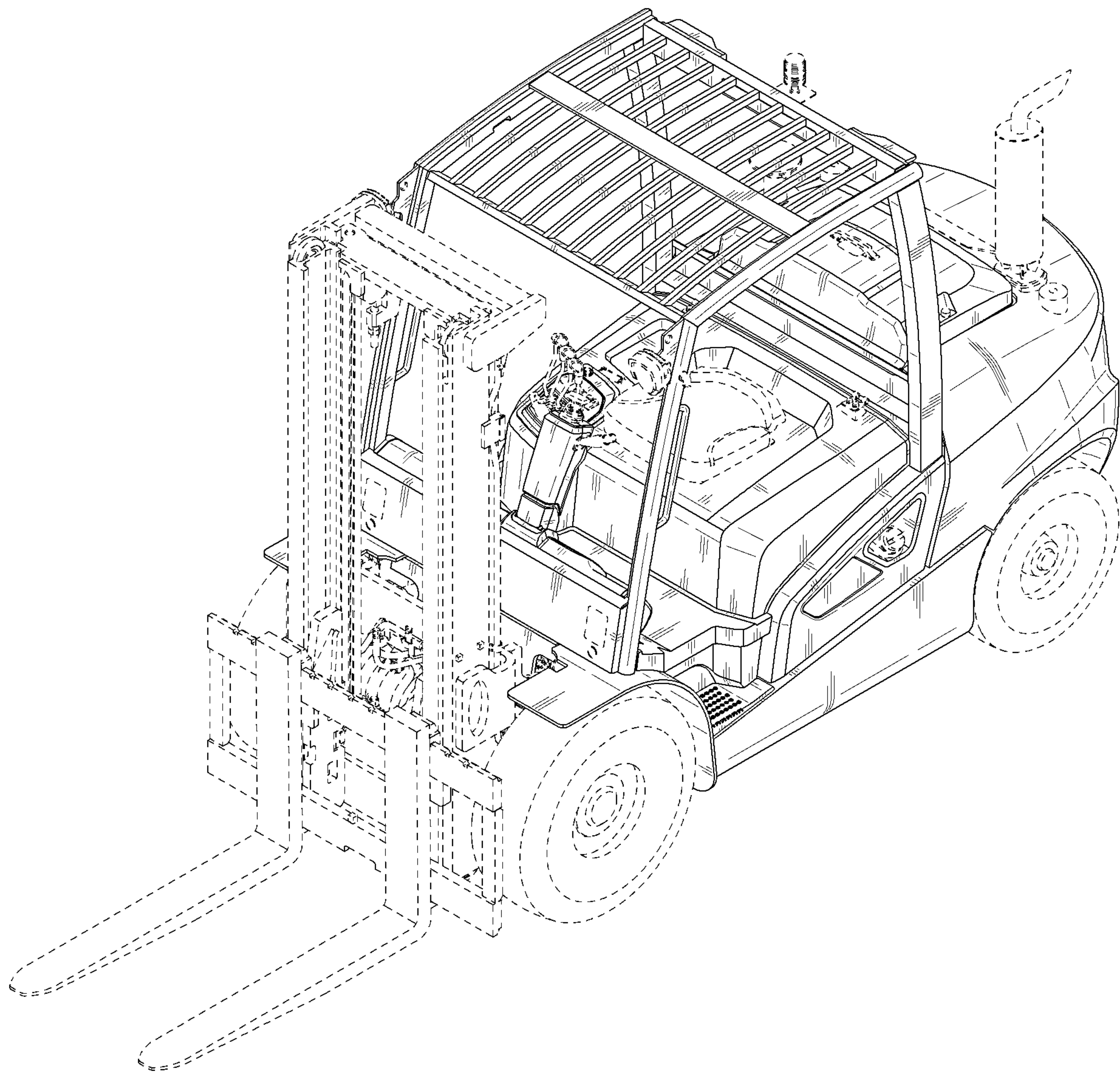


FIG. 2

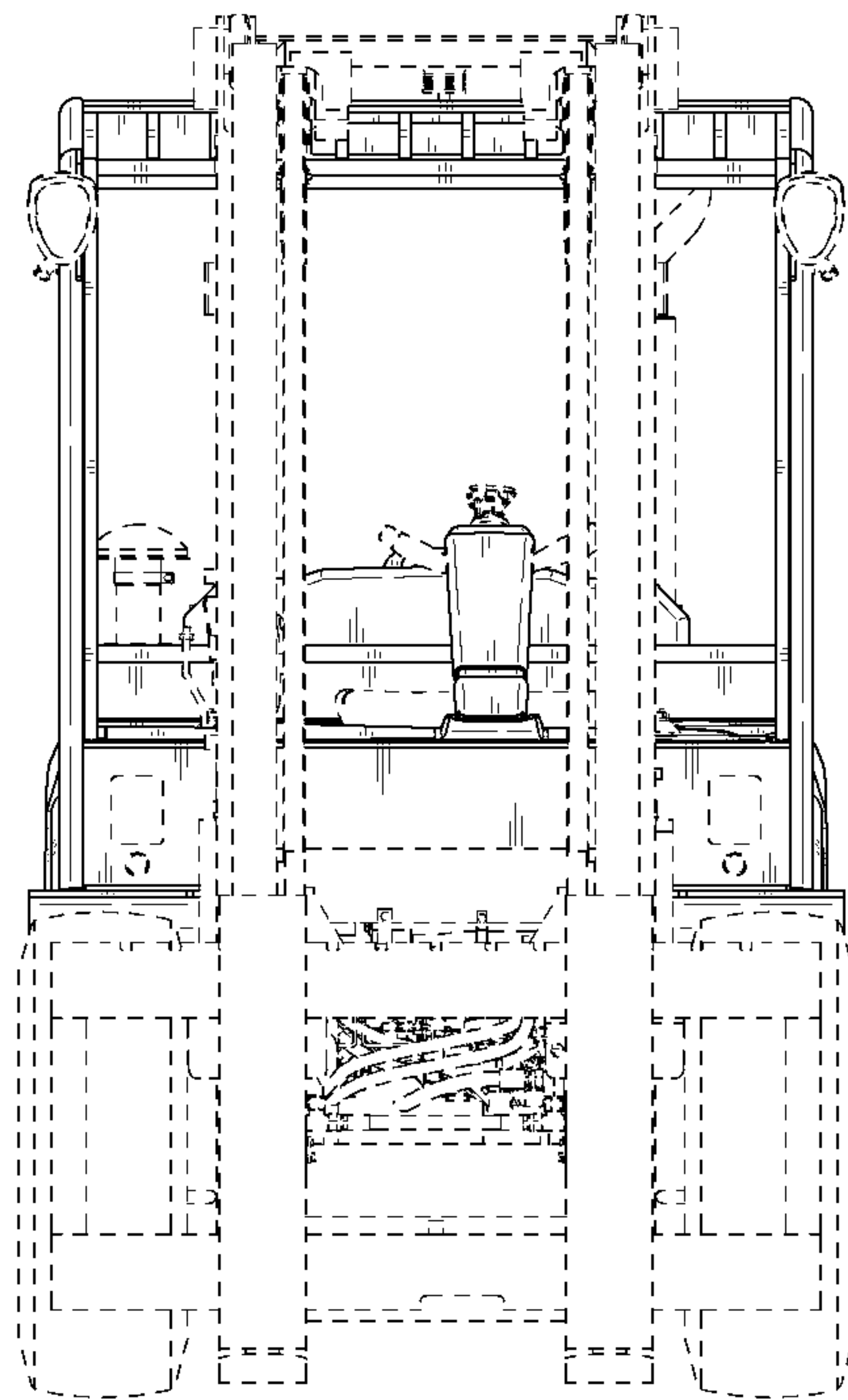


FIG. 3

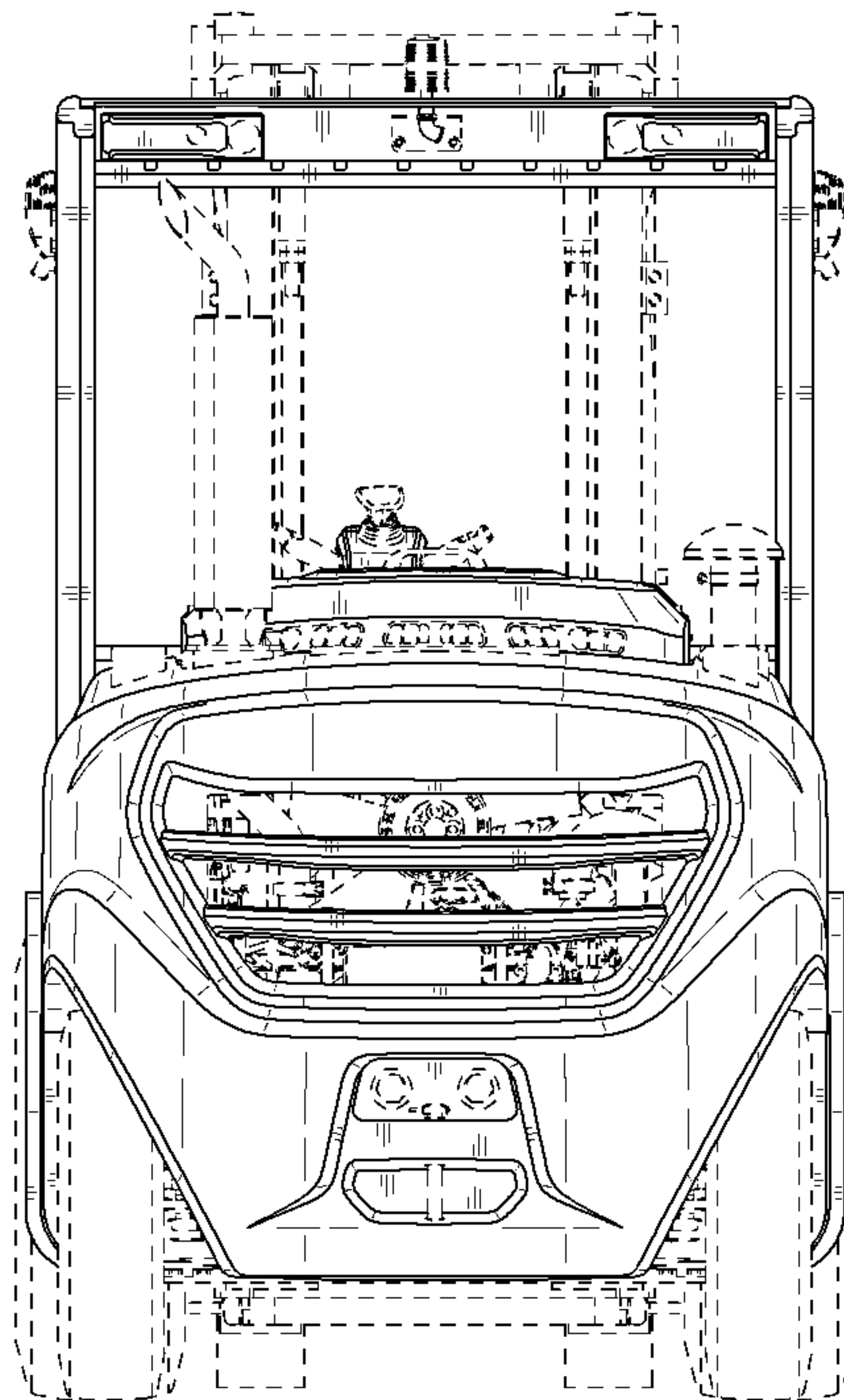


FIG. 4

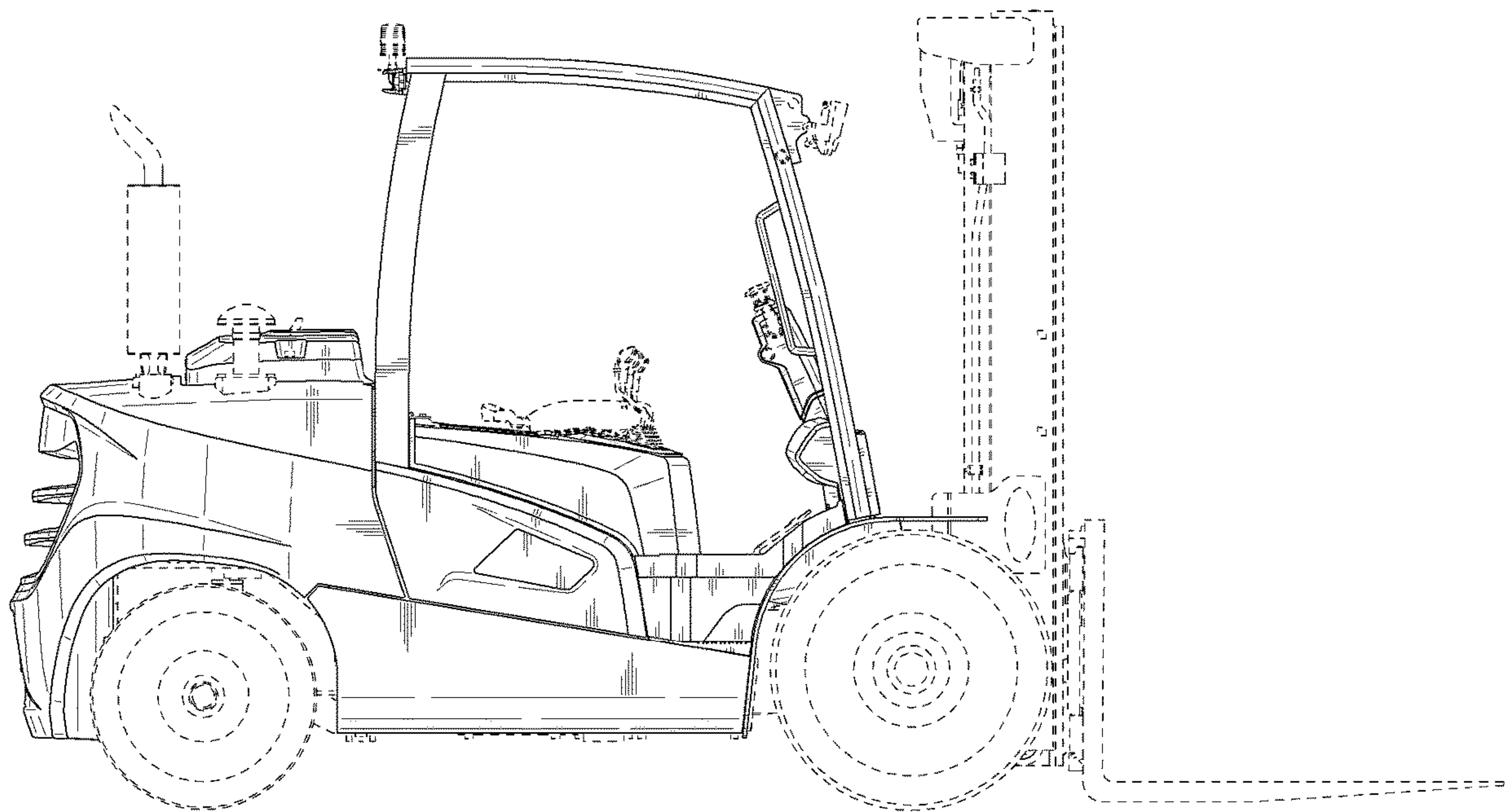


FIG. 5

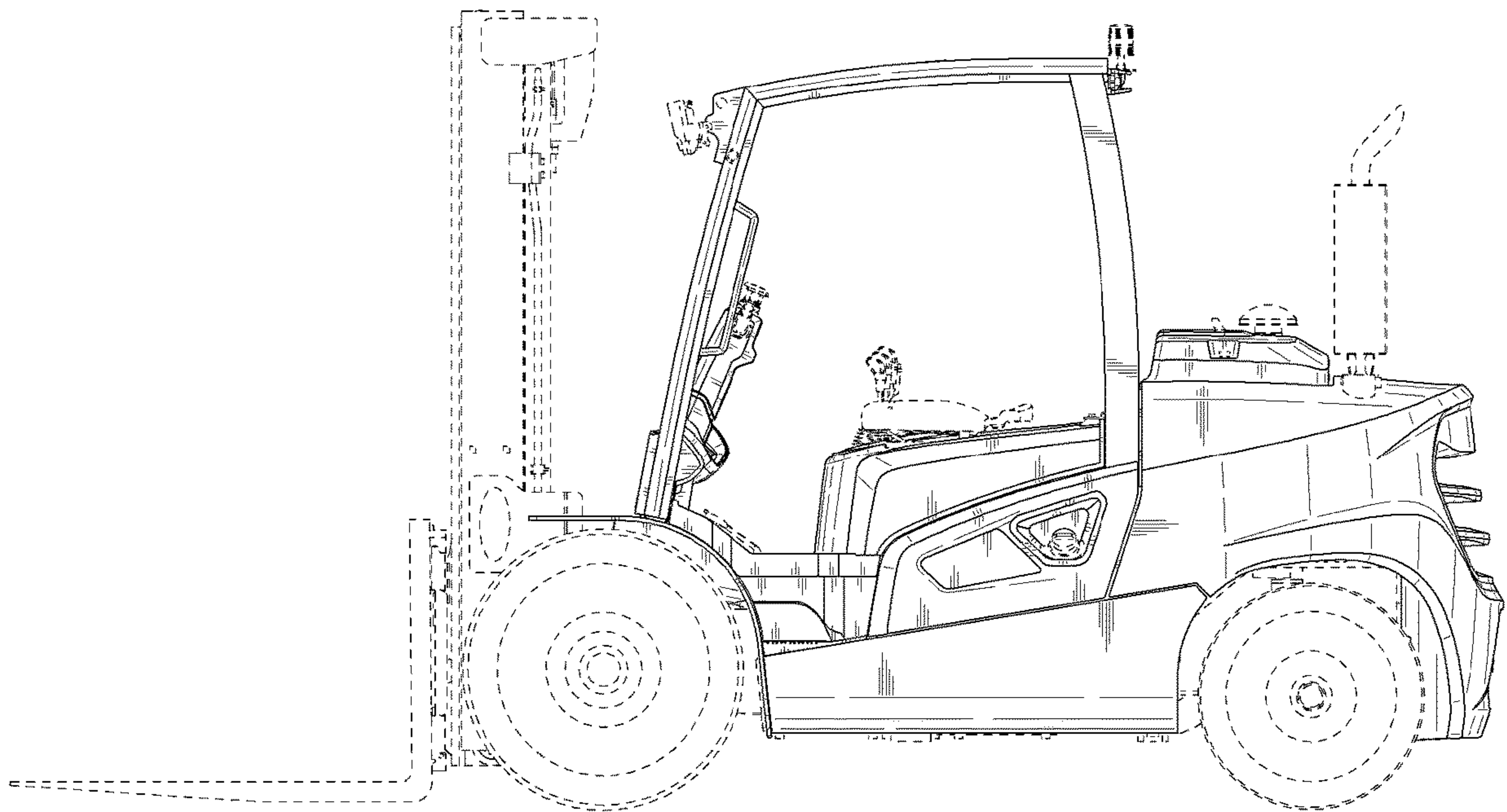


FIG. 6

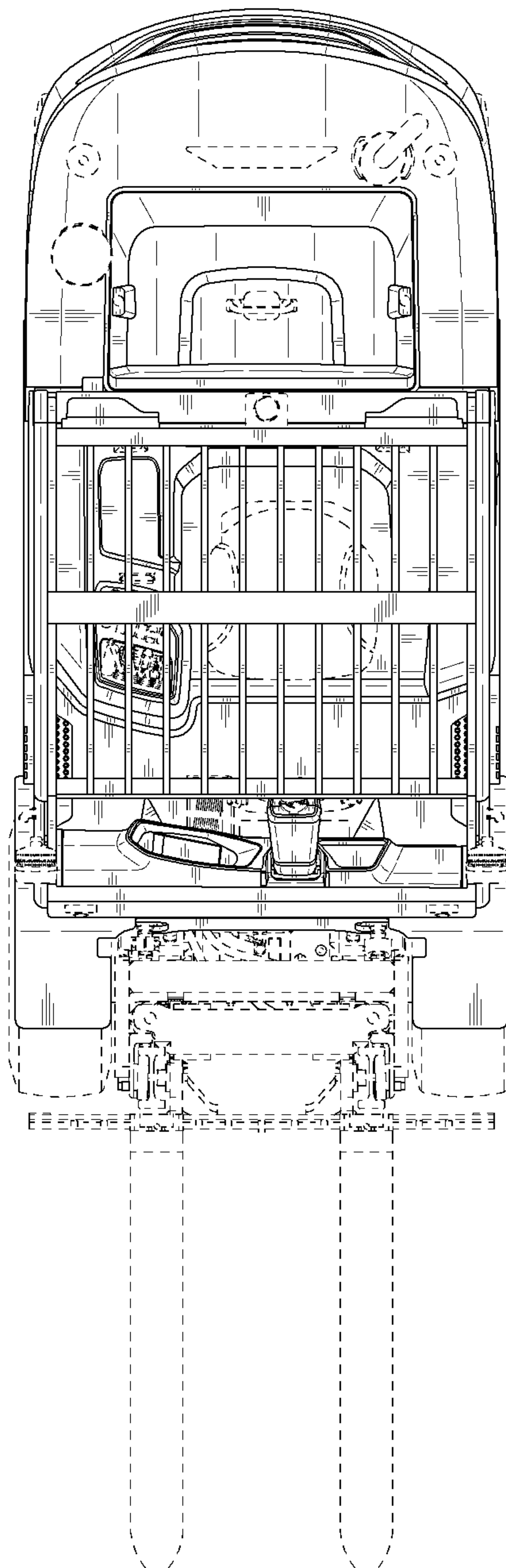


FIG. 7

