



US00D969441S

(12) **United States Design Patent** (10) **Patent No.:** **US D969,441 S**  
**Lim** (45) **Date of Patent:** **\*\* Nov. 8, 2022**

(54) <b>FORKLIFT</b>	8,594,869 B2 * 11/2013 Hwang ..... B66F 9/24 903/903
(71) Applicant: <b>Doosan Corporation</b> , Seoul (KR)	D731,737 S * 6/2015 Seimiya ..... D34/34
(72) Inventor: <b>Hyokyung Lim</b> , Siheung (KR)	D756,058 S * 5/2016 Kang ..... D34/34
(73) Assignee: <b>DOOSAN INDUSTRIAL VEHICLE CO., LTD.</b> , Incheon (KR)	D778,524 S * 2/2017 Kang ..... D34/34
(**) Term: <b>15 Years</b>	D782,770 S * 3/2017 Kang ..... D34/34
(21) Appl. No.: <b>29/772,110</b>	D790,148 S * 6/2017 Kang ..... D34/34
(22) Filed: <b>Feb. 26, 2021</b>	D790,149 S * 6/2017 Kang ..... D34/34
(30) <b>Foreign Application Priority Data</b>	9,981,835 B2 * 5/2018 Kim ..... B66F 9/0755
Sep. 11, 2020 (KR) ..... 30-2020-0043536	D904,722 S * 12/2020 Ryu ..... D34/31
(51) <b>LOC (13) Cl.</b> ..... <b>12-05</b>	D908,304 S * 1/2021 Park ..... D34/31
(52) <b>U.S. Cl.</b>	D908,305 S * 1/2021 Park ..... D34/34
USPC ..... <b>D34/34</b>	D923,282 S * 6/2021 Yoshioka ..... D34/34
(58) <b>Field of Classification Search</b>	2012/0145486 A1 * 6/2012 Lemke ..... B66F 9/22 187/233
USPC ..... D34/34; D15/199	
CPC ... B62B 3/0612; B62B 3/0618; B62B 5/0069; B62B 5/0438; B66F 9/22; B66F 9/24; B66F 9/085; B66F 9/061; B66F 9/186; B66F 9/063; B66F 7/00; B66F 7/10; B66F 7/24	
See application file for complete search history.	

\* cited by examiner

*Primary Examiner* — Cynthia Ramirez  
(74) *Attorney, Agent, or Firm* — Ladas & Parry LLP

(57) **CLAIM**

I claim the ornamental design for a forklift, as shown and described.

**DESCRIPTION**

FIG. 1 is a front perspective view of a forklift showing my new design;  
FIG. 2 is a front view thereof;  
FIG. 3 is a rear view thereof;  
FIG. 4 is a left-side view thereof;  
FIG. 5 is a right-side view thereof;  
FIG. 6 is a top view thereof; and,  
FIG. 7 is a bottom view thereof.  
The broken lines in the figures show portions of a forklift which form no part of the claimed design.

**1 Claim, 7 Drawing Sheets**

(56) **References Cited**

U.S. PATENT DOCUMENTS

D389,982 S * 1/1998 Kim ..... D34/28
D594,172 S * 6/2009 Shibata ..... D34/34
D594,173 S * 6/2009 Shibata ..... D34/34
D664,323 S * 7/2012 Lee ..... D34/34

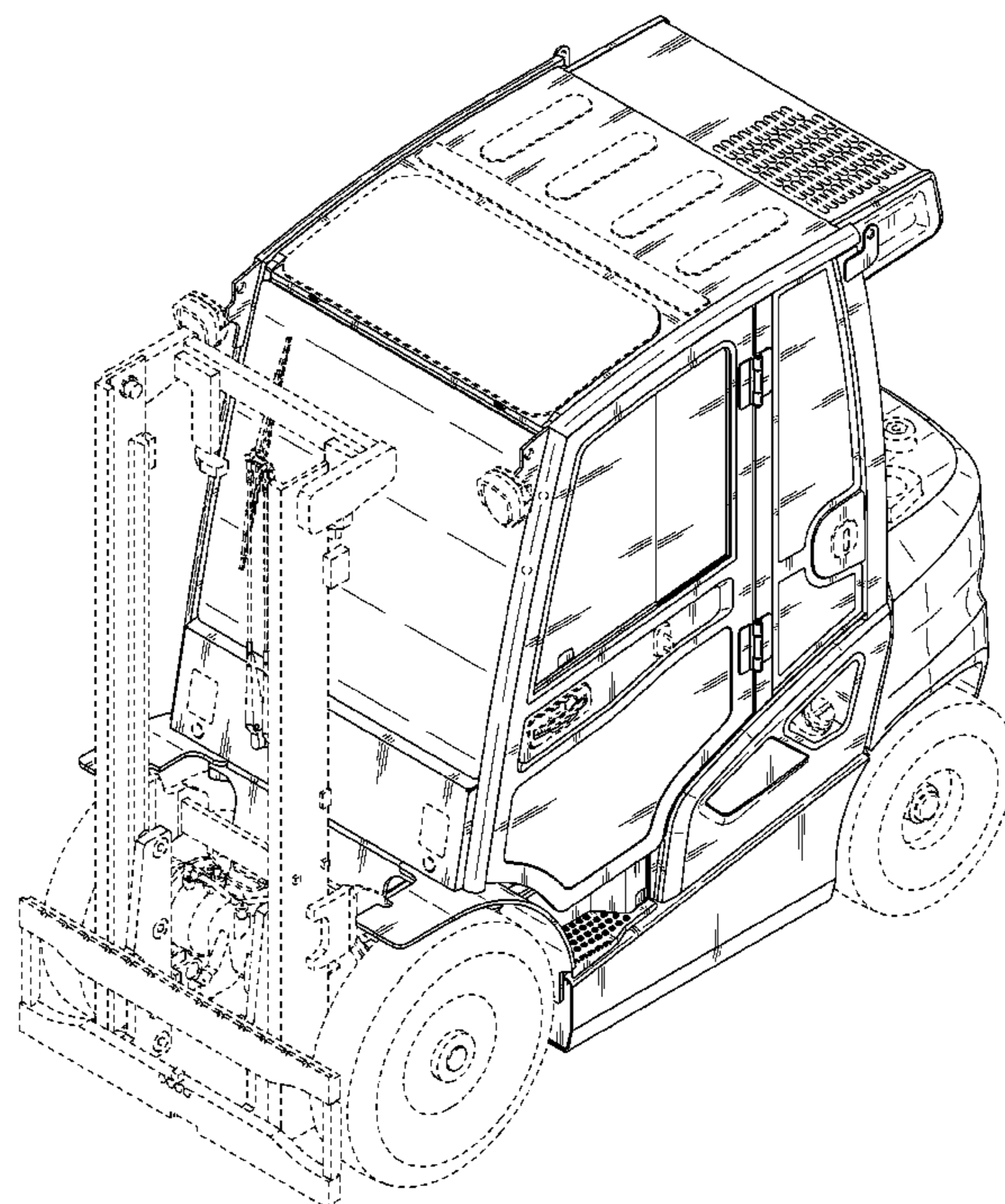


FIG. 1

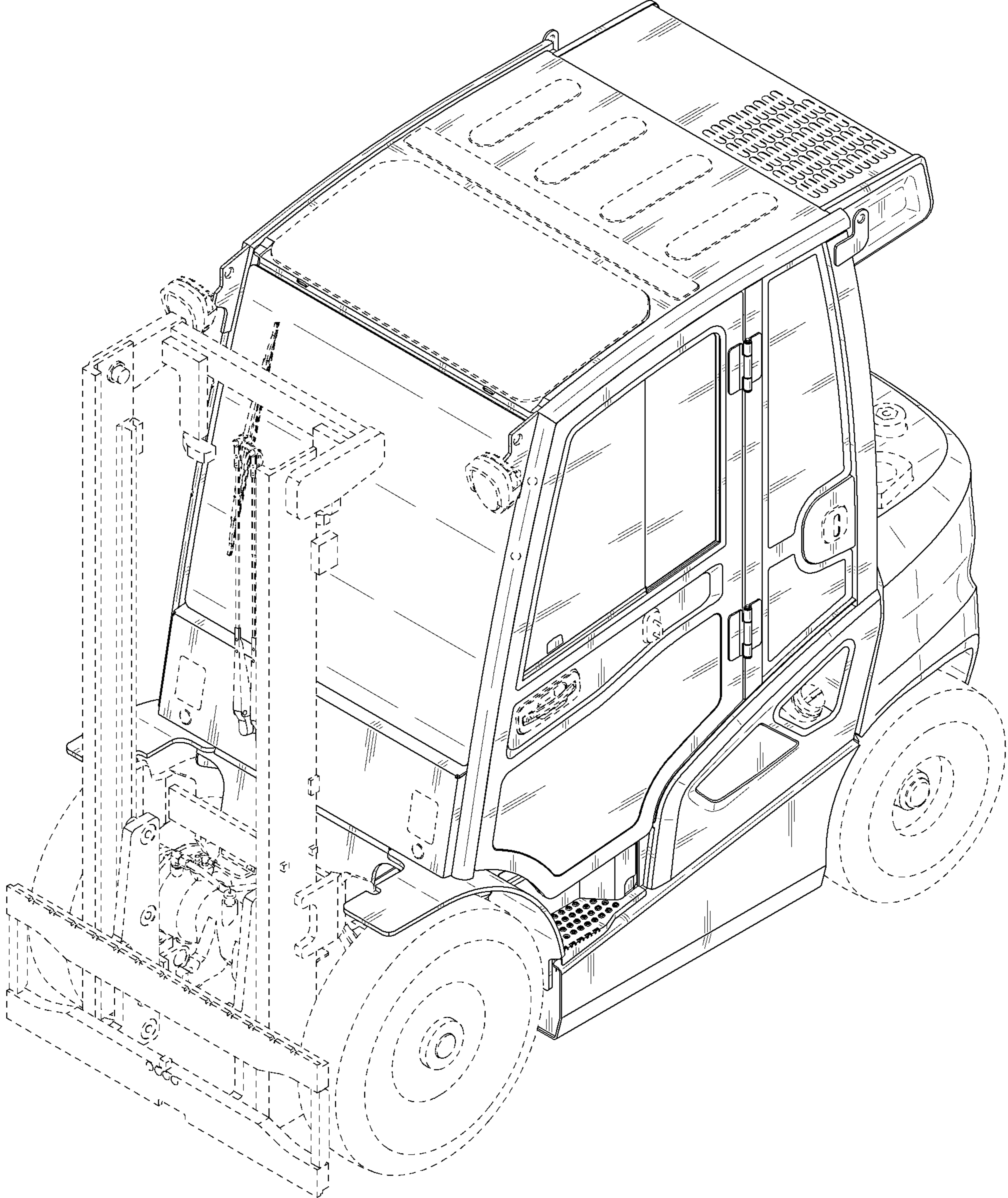


FIG. 2

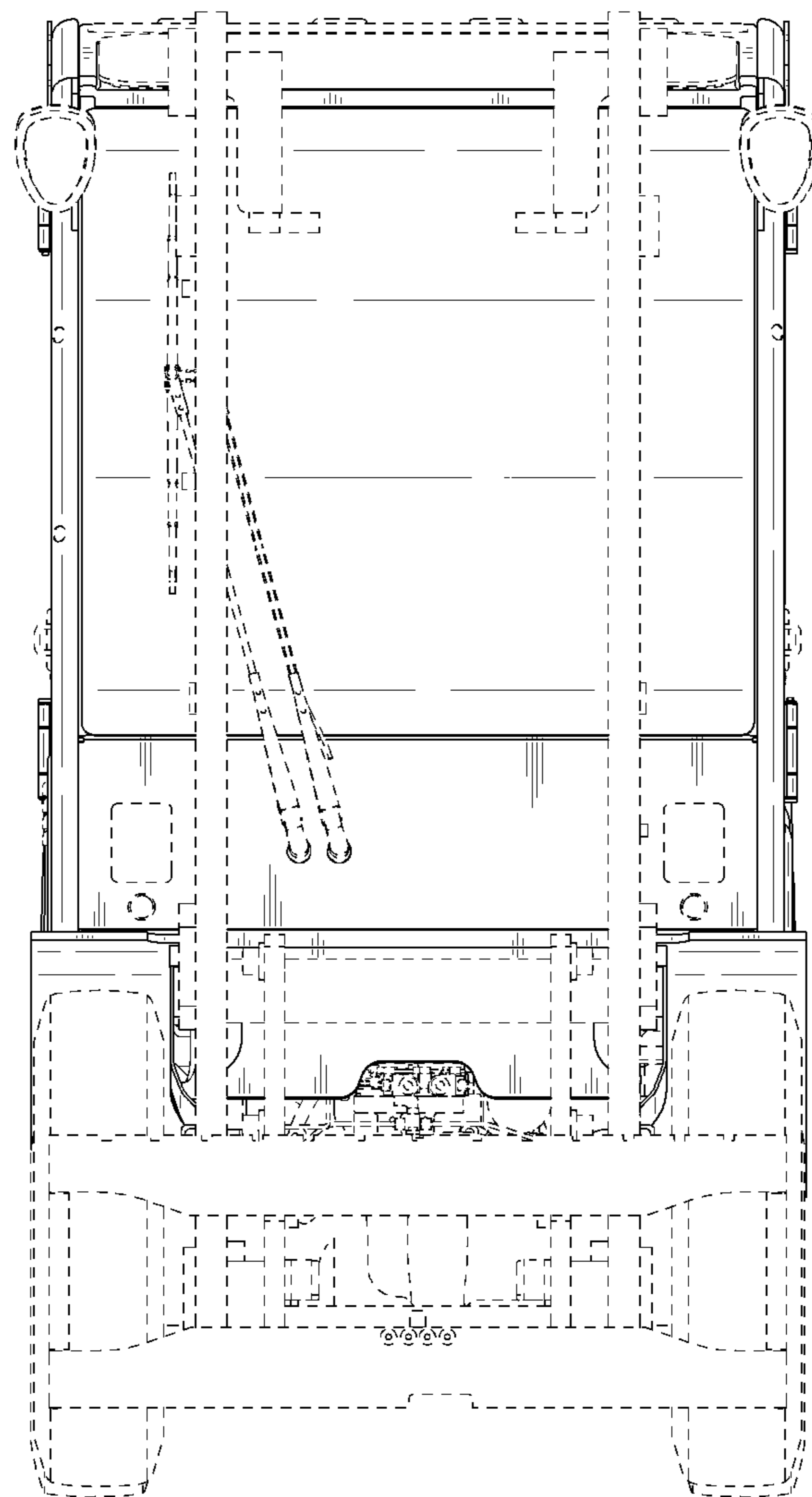


FIG. 3

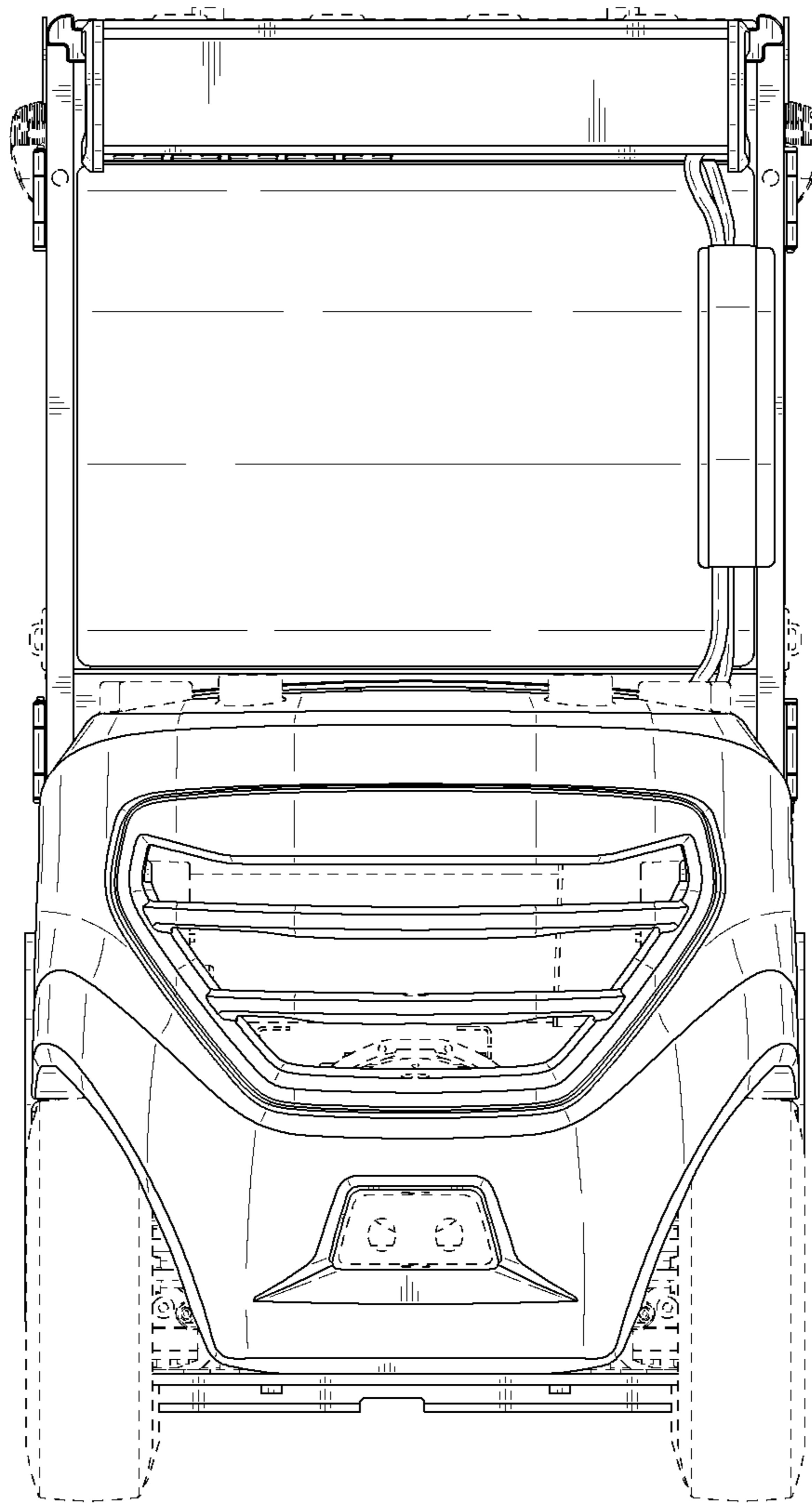


FIG. 4

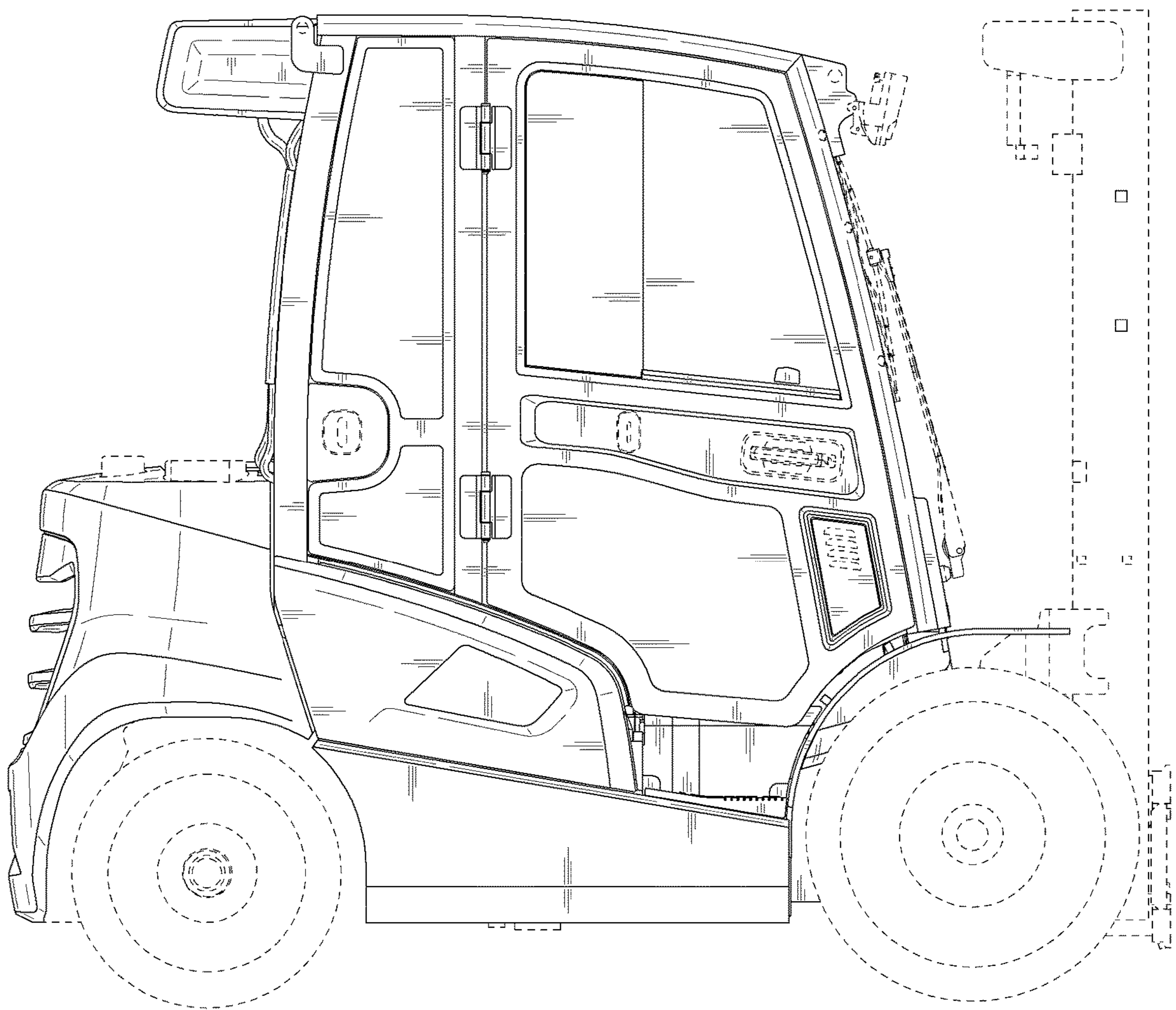


FIG. 5

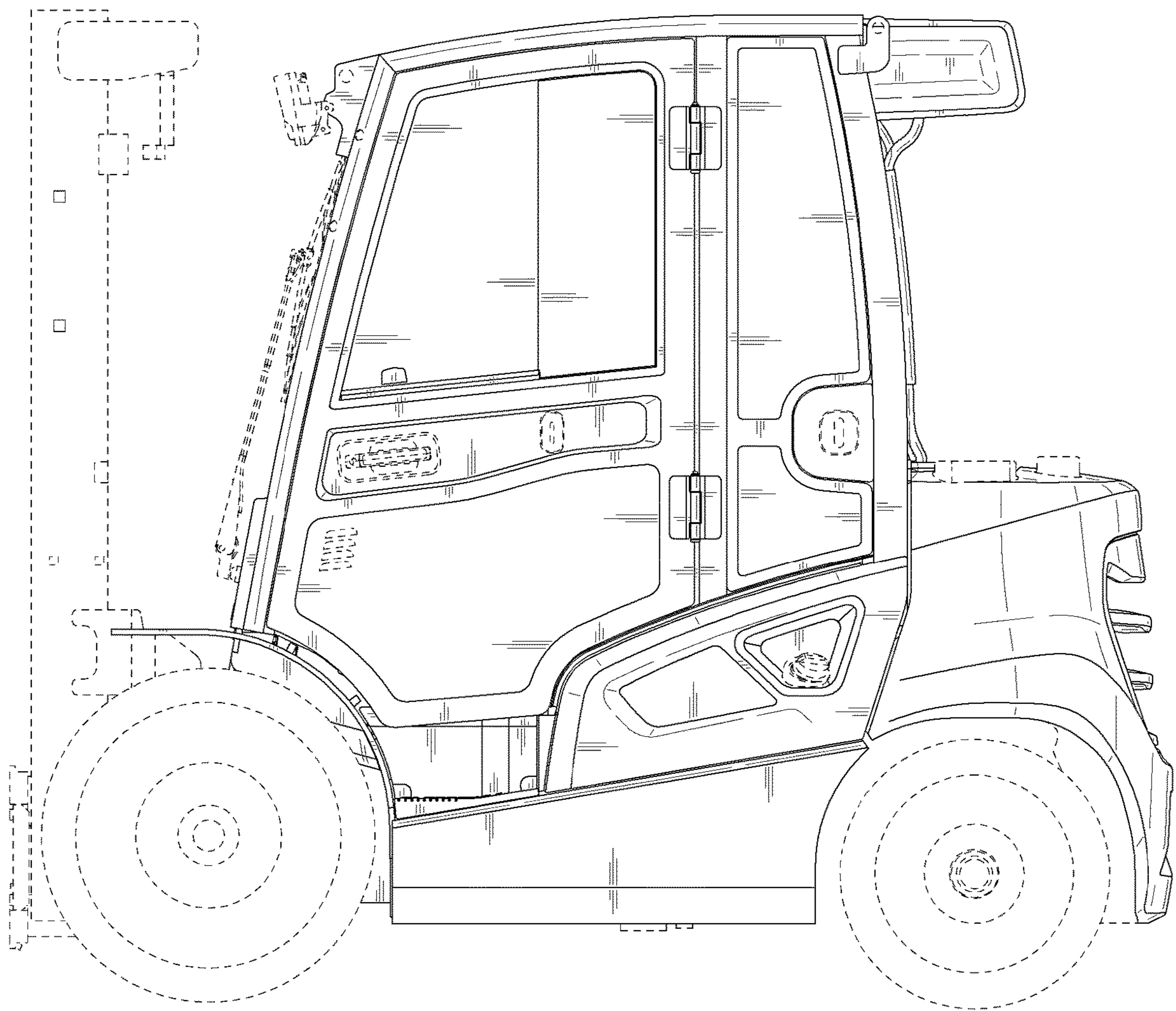


FIG. 6

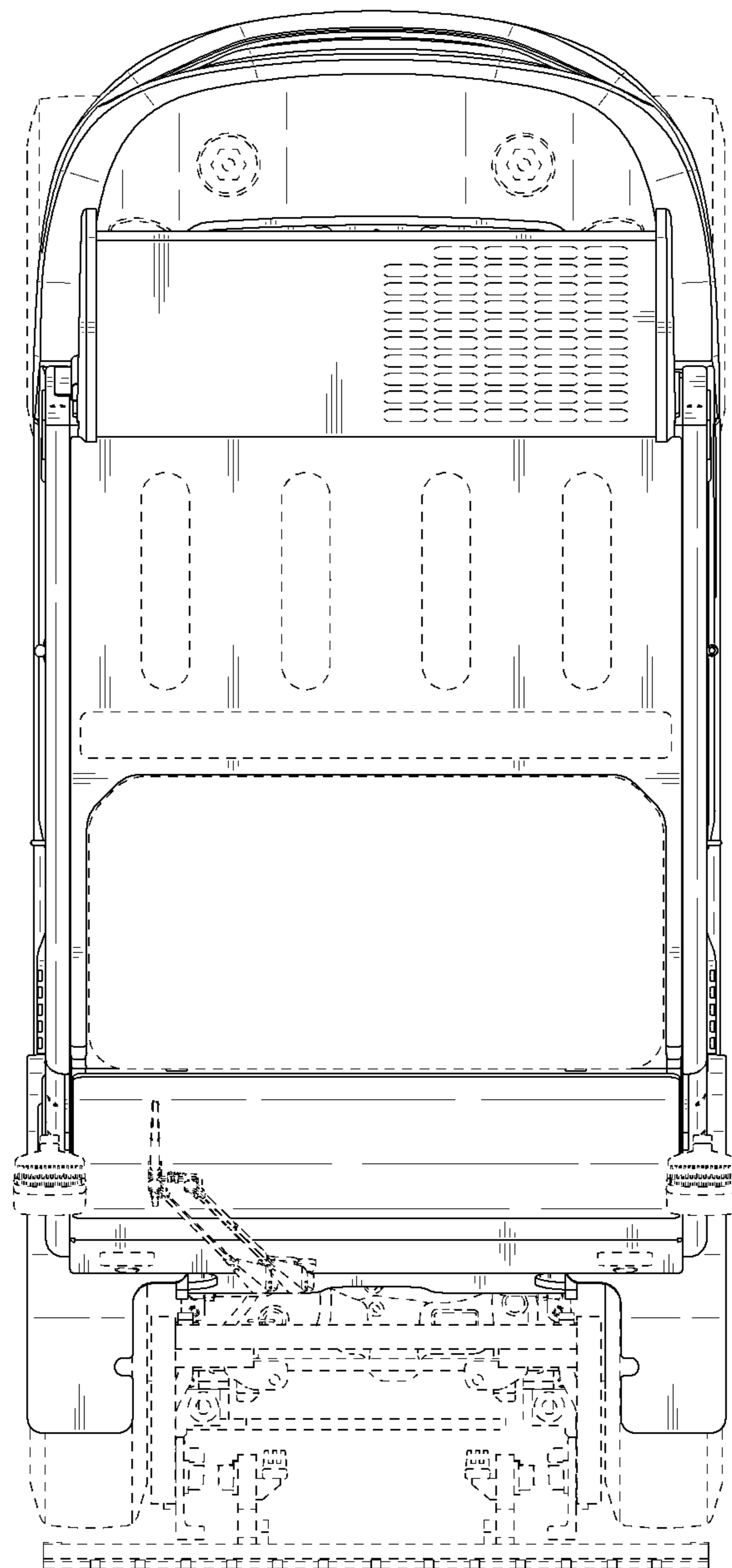


FIG. 7

