

US00D969435S

(12) **United States Design Patent**
Zhang

(10) **Patent No.: US D969,435 S**

(45) **Date of Patent: ** Nov. 8, 2022**

(54) **HEAT PRESS MACHINE**

FOREIGN PATENT DOCUMENTS

(71) Applicant: **Rui Zhang**, Lu'an (CN)

CN 306538562 * 5/2021

(72) Inventor: **Rui Zhang**, Lu'an (CN)

CN 306783801 * 8/2021

(**) Term: **15 Years**

CN 307052953 * 1/2022

CN 307087052 * 1/2022

GB 6150731 * 7/2021

(21) Appl. No.: **29/798,438**

OTHER PUBLICATIONS

(22) Filed: **Jul. 8, 2021**

FMK Heat Press, available in Amazon.com, date first available Sep. 29, 2021 [online], [site visited Apr. 4, 2022], Available from the internet URL: https://www.amazon.com/dp/B09BQ7WCBX/ref=sspa_dk_detail_3 (Year: 2021).*

(51) **LOC (13) Cl.** **15-05**

(52) **U.S. Cl.**

USPC **D32/70; D15/122**

(58) **Field of Classification Search**

USPC D32/1, 9, 25, 34, 68, 70-72;
D7/379-380; D15/122, 144, 146, 199;
D21/526

CPC . B41F 16/002; B41F 16/0026; B41F 16/0033

See application file for complete search history.

(Continued)

Primary Examiner — Jennifer Rivard

Assistant Examiner — Jennylou M Binas

(57) **CLAIM**

The ornamental design for a heat press machine, as shown and described.

(56) **References Cited**

DESCRIPTION

U.S. PATENT DOCUMENTS

D308,269 S *	5/1990	Petrie	D32/70
D360,509 S *	7/1995	Maeda	D32/70
D501,691 S *	2/2005	Johnson	D32/70
D582,620 S *	12/2008	Brown	D32/70
D590,563 S *	4/2009	Lin	D32/69
D593,360 S *	6/2009	Lee	D7/379
D659,928 S *	5/2012	Yan	D32/70
D739,108 S *	9/2015	Orthey	D32/70
D800,984 S *	10/2017	Müller et al.	D32/70
D893,566 S *	8/2020	Chen	
D905,497 S *	12/2020	Carlson	D7/379
D910,724 S *	2/2021	Chen	D15/122
D925,854 S *	7/2021	Ai	D32/70
D926,237 S *	7/2021	Chen	D32/70
D946,964 S *	3/2022	Liu	D7/379
D955,080 S *	6/2022	Guo	D32/70

FIG. 1 is a perspective view of a heat press machine showing my new design;

FIG. 2 is a left side elevational view thereof;

FIG. 3 is a front elevational view thereof;

FIG. 4 is a top plan view thereof;

FIG. 5 is another perspective view thereof;

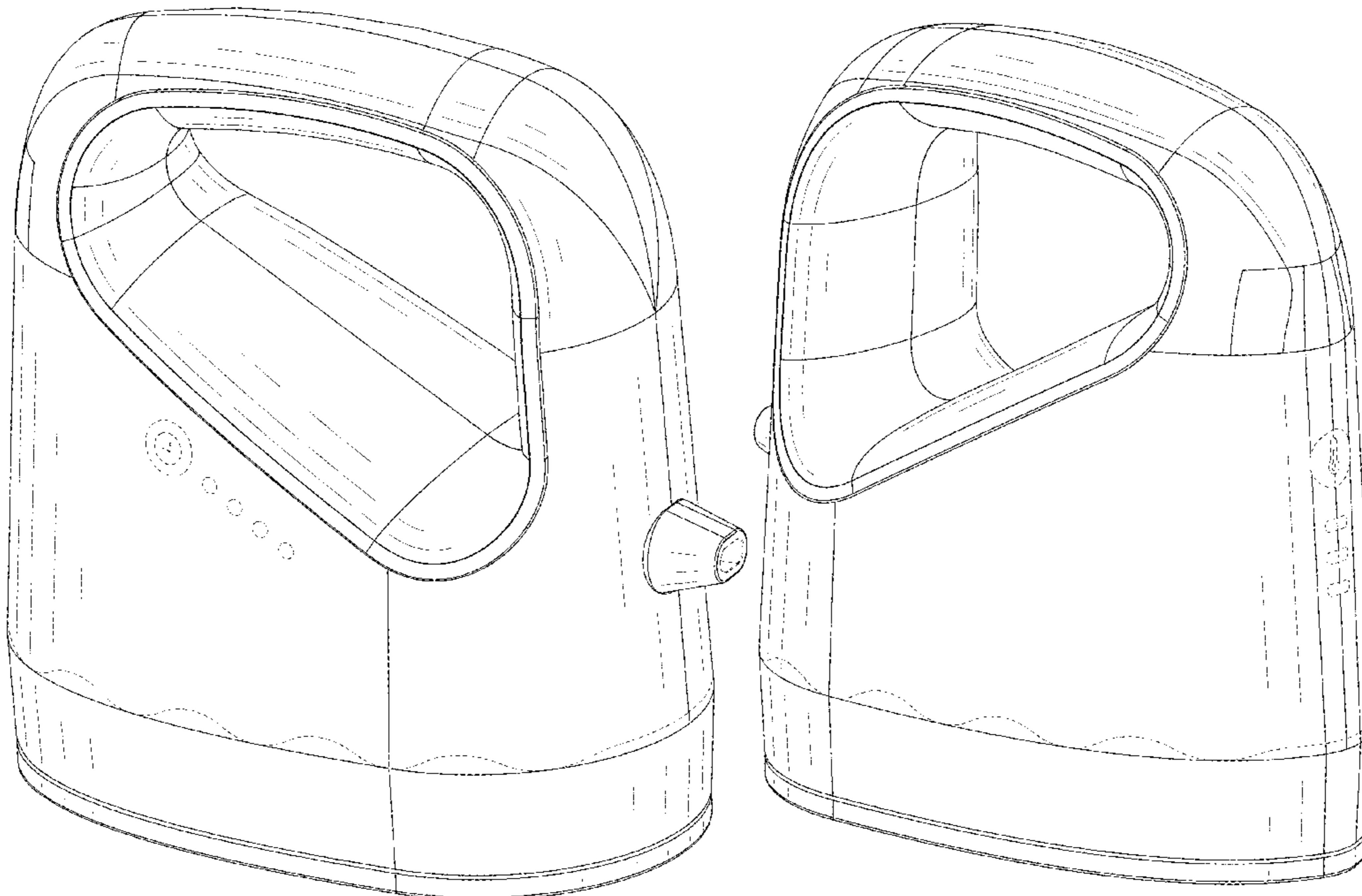
FIG. 6 is a bottom plan view thereof;

FIG. 7 is a right side elevational view thereof; and,

FIG. 8 is a rear elevational view thereof.

The broken lines shown in the drawings depict portions of the heat press machine that form no part of the claimed design.

1 Claim, 8 Drawing Sheets



(56)

References Cited

OTHER PUBLICATIONS

Heat Press Machine, available in www.etskyn.com, customer review oldest date Feb. 27, 2021 [online], [site visited Apr. 4, 2022], Available from the internet URL: <https://www.etsy.com/uk/listing/1054495545/heat-press-machine-52-x-295-easy-press> (Year: 2021).*

Horyliin Mini Heat Press Machine, available in Amazon.com, date first available Sep. 3, 2021 [online], [site visited Apr. 4, 2022], Available from the internet URL: https://www.amazon.com/Machine-Machines-Projects-Portable-Transfer/dp/B09FF4636R/ref=psdc_8090950011_t1_B09Q88RLH4 (Year: 2021).*

Naturalife Heat Press Machine, available in Amazon.com, date first available Apr. 15, 2021 [online], [site visited Apr. 4, 2022], Available from the internet URL: https://www.amazon.com/Machine-Machines-Projects-Portable-Transfer/dp/B092PS56MF/ref=asc_df_B092PS56MF/ (Year: 2021).*

Best Mini Heat Press, available in www.babybargains.com, announced Nov. 3, 2020 [online], [site visited Apr. 4, 2022], Internet URL: <https://www.babybargains.com/best-mini-heat-press/> (Year: 2020).*

Best Mini Heat Press Machines 2022, available in <https://printysublimation.com>, announced Feb. 9, 2022 [online], [site visited Apr. 4, 2022], Internet URL: <https://printysublimation.com/mini-heat-press/>(Year: 2022).*

Heat Transfer Vinyl On Socks Using Cricut Easy Press Mini, available in website.com, announced Nov. 17, 2019 [online], [site visited Nov. 16, 2020], Internet URL: <https://www.youtube.com/watch?v=BO2jGSHN9LI> (Year: 2019).*

Supalak Heat Press, available in Amazon.com, date first available Aug. 31, 2020 [online], [site visited Apr. 4, 2022], Available from the internet URL: https://www.amazon.com/dp/B08H1PMDWW/ref=sspa_dk_detail_4 (Year: 2020).*

* cited by examiner

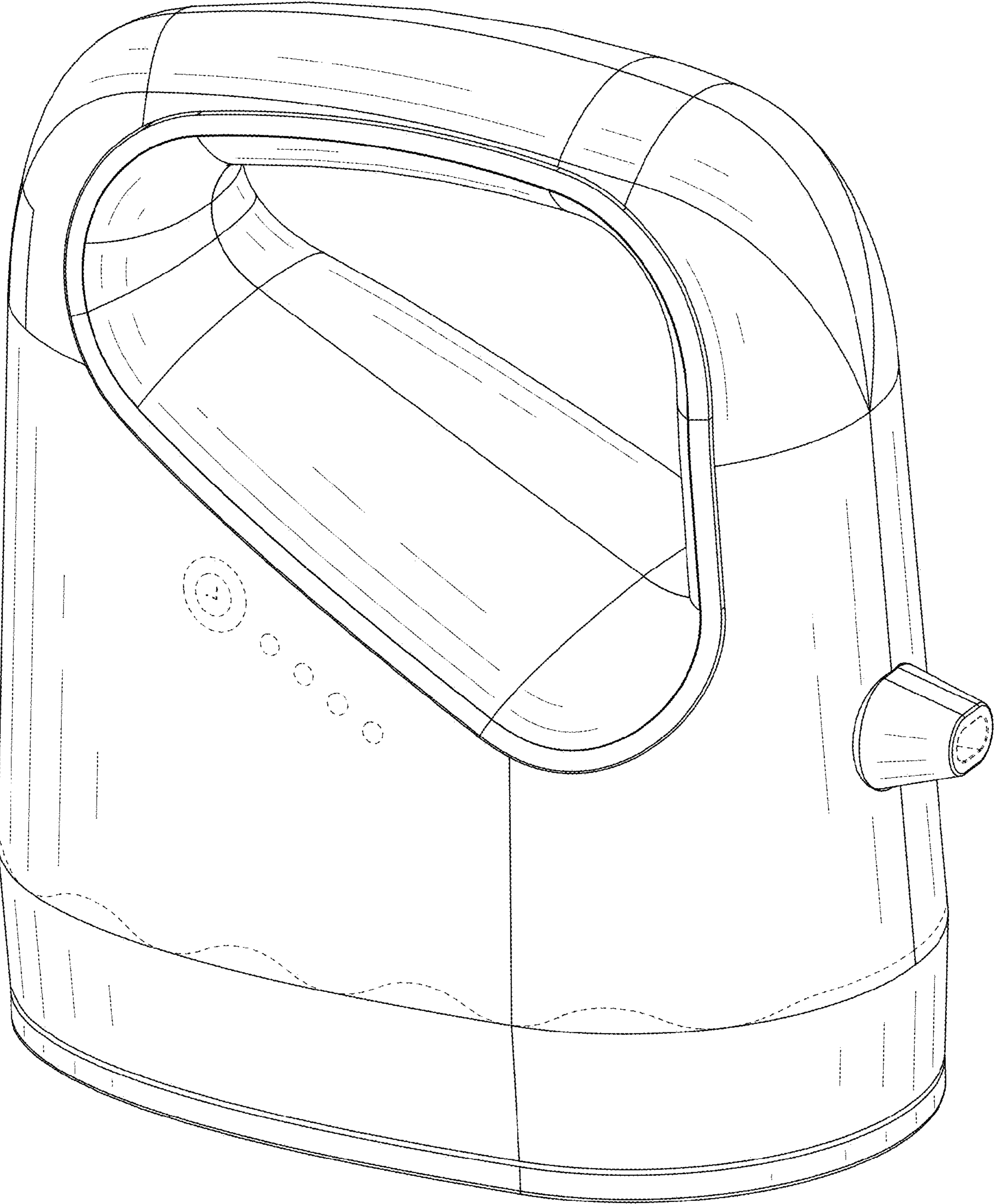


FIG. 1

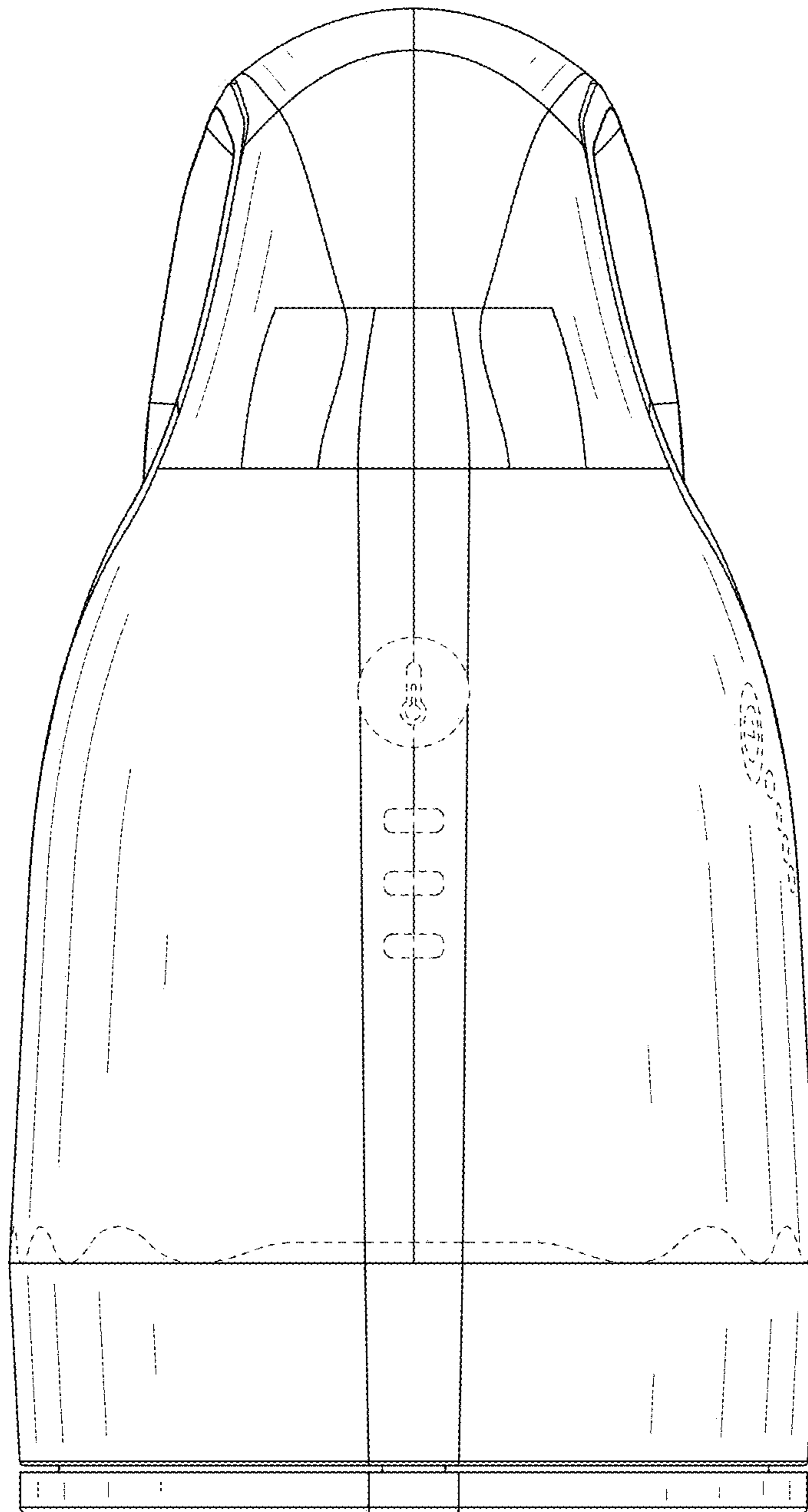


FIG. 2

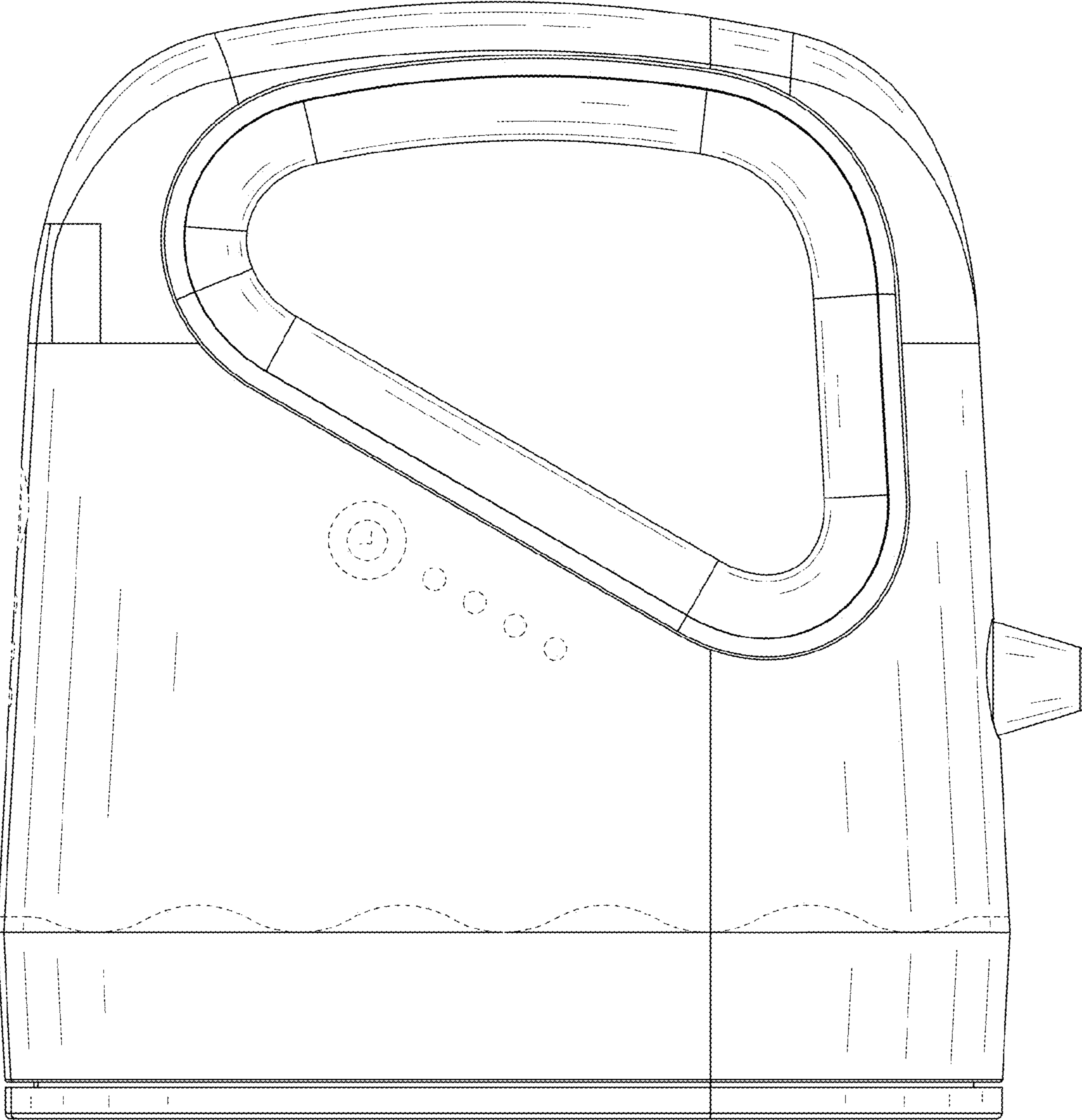


FIG. 3

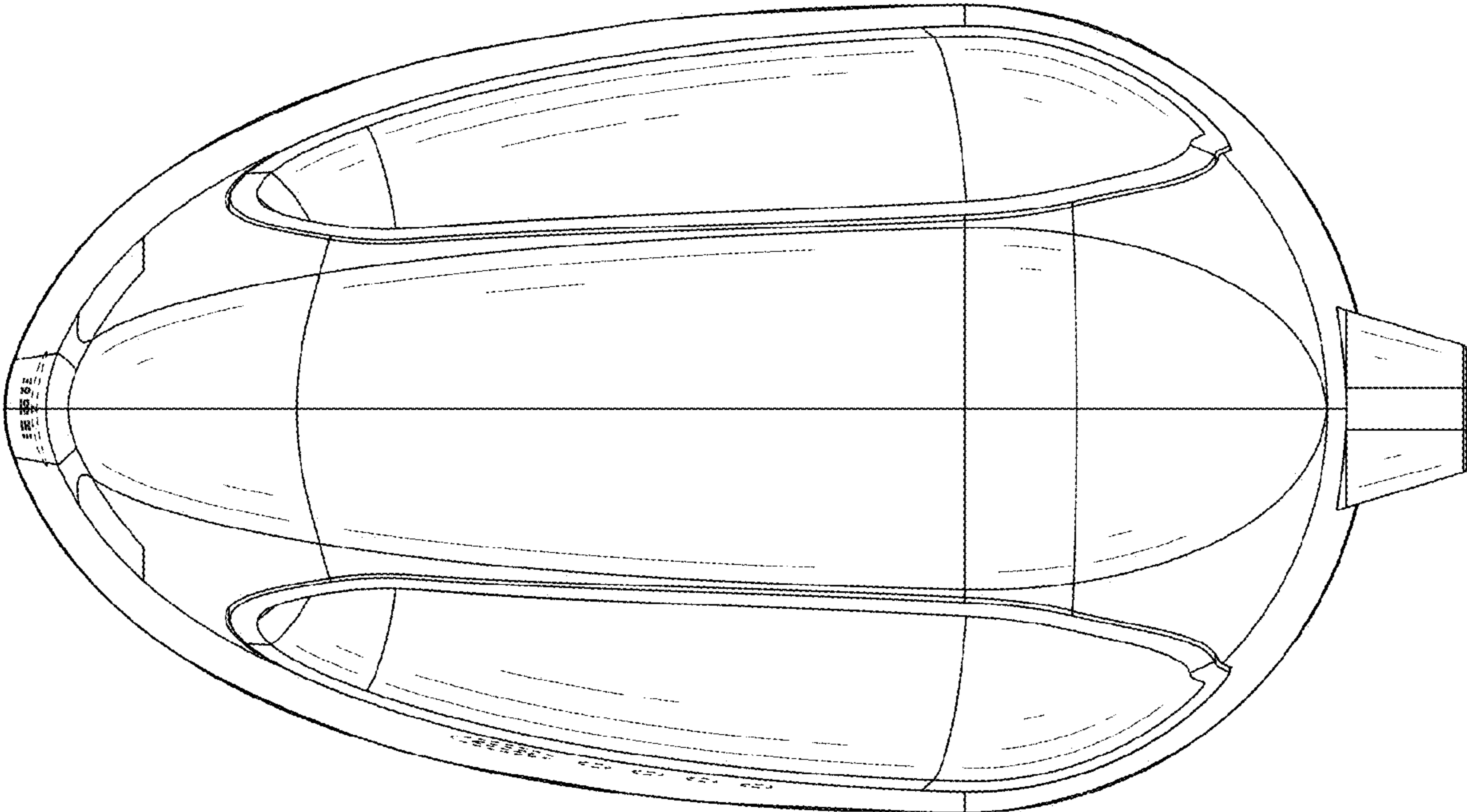


FIG. 4

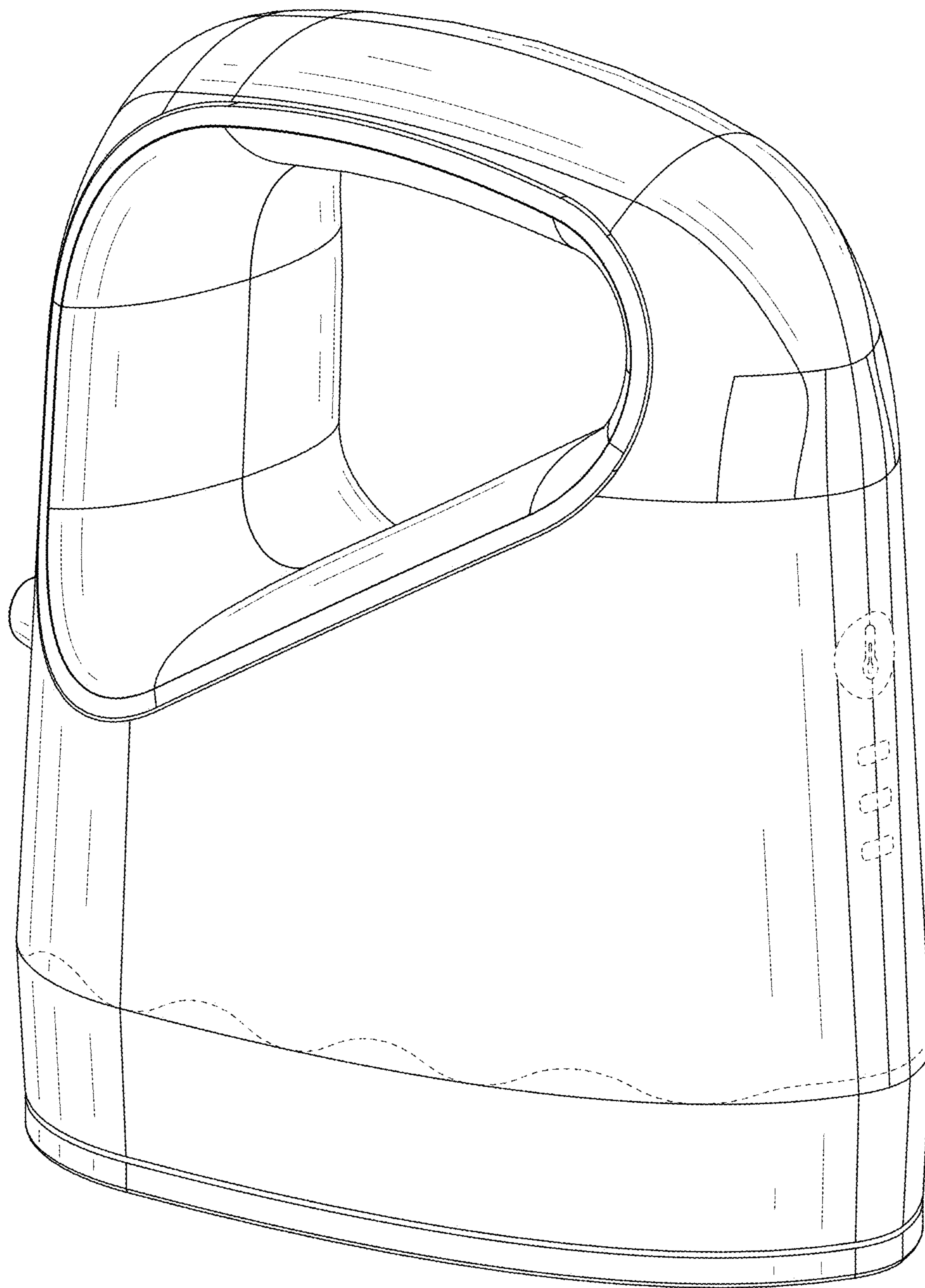


FIG. 5

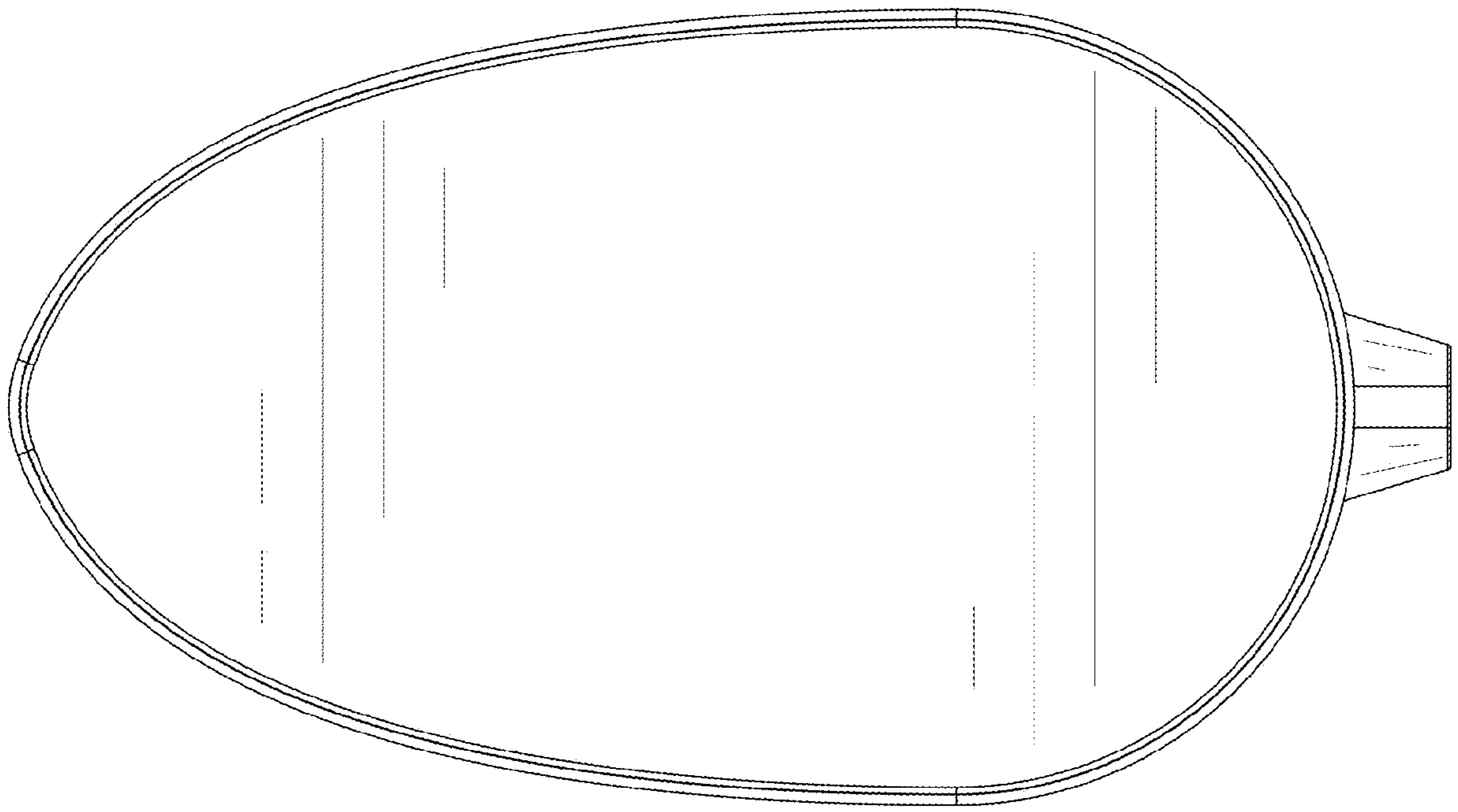


FIG. 6

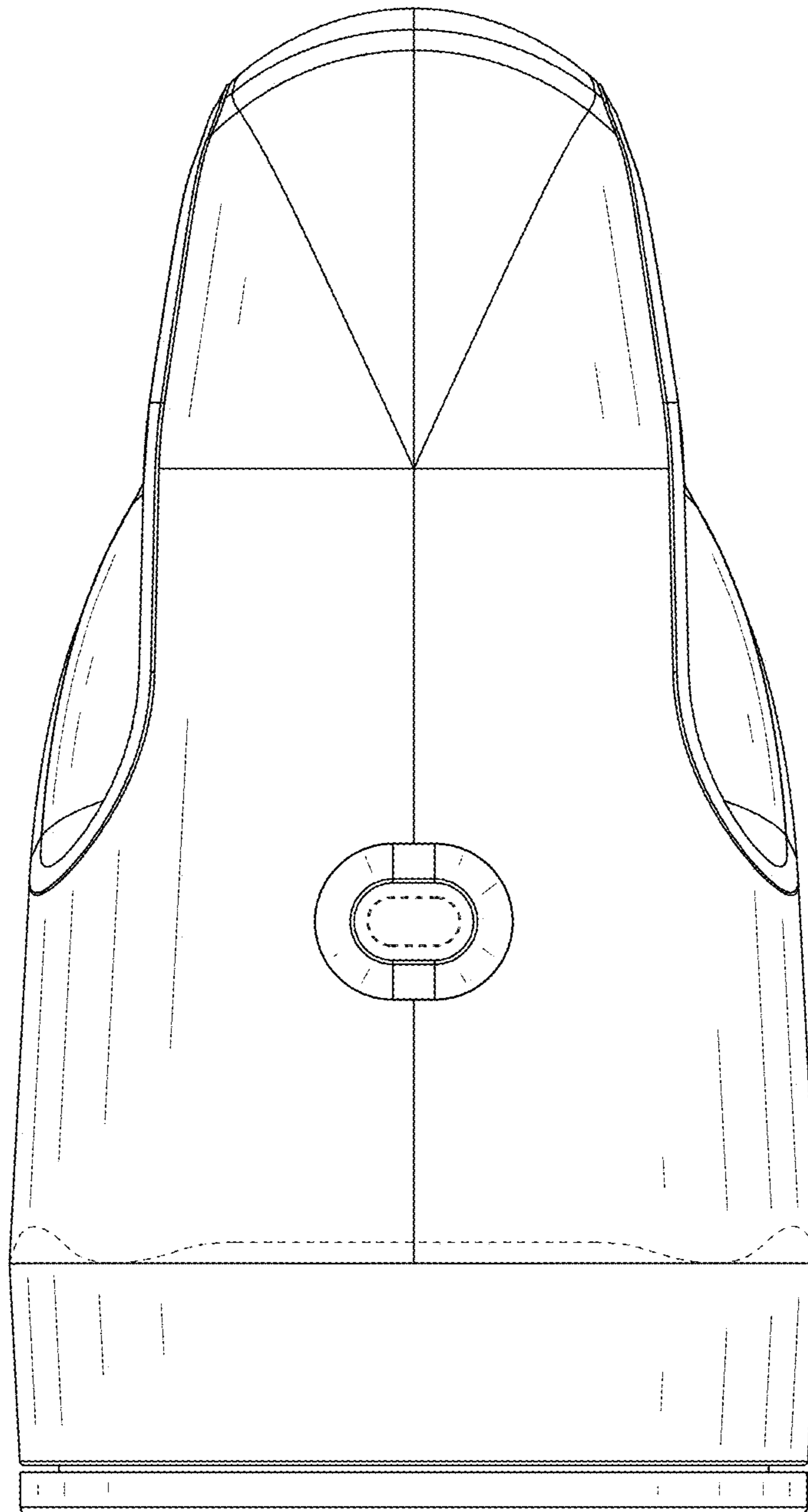


FIG. 7

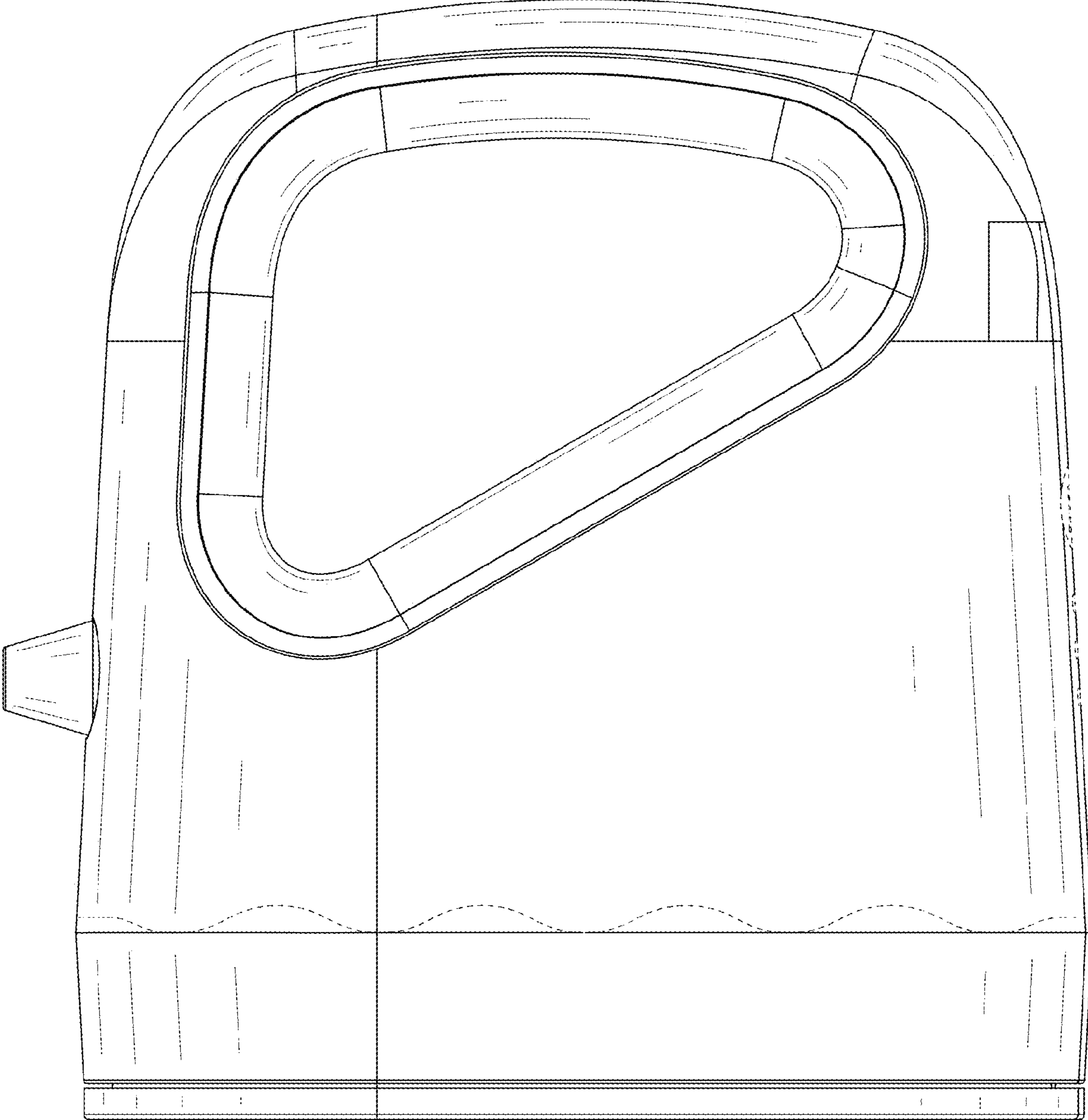


FIG. 8