



US00D969434S

(12) **United States Design Patent**
Retzloff et al.

(10) **Patent No.:** **US D969,434 S**
(45) **Date of Patent:** **** Nov. 8, 2022**

(54) **DRYING RACK**

(71) Applicant: **Green Life Racks LLC**, Upperlake, CA (US)

(72) Inventors: **Brian Retzloff**, Upperlake, CA (US);
Kevin Retzloff, Willits, CA (US)

(73) Assignee: **Green Life Racks**, Willits, CA (US)

(**) Term: **15 Years**

(21) Appl. No.: **29/806,881**

(22) Filed: **Sep. 7, 2021**

(51) **LOC (13) Cl.** **07-05**

(52) **U.S. Cl.**
USPC **D32/55**

(58) **Field of Classification Search**
USPC D32/55, 276, 3; D6/510, 525; D30/133;
211/41.5, 41.4, 41.3, 41.8; 361/679.4;
312/311, 333, 334.4; D7/354, 629
CPC .. A47L 15/505; A47L 15/503; A47L 15/0013;
A47L 19/02; A47L 19/04; A47J 47/20
See application file for complete search history.

(56) **References Cited**

U.S. PATENT DOCUMENTS

D267,768 S *	2/1983	Duggan	211/171
D391,719 S *	3/1998	Anderson	D32/58
D546,013 S	7/2007	Pong	
D612,558 S	3/2010	Carrington	
D736,488 S *	8/2015	Le	D32/55
D808,101 S	1/2018	Greenspon et al.	

D808,690 S	1/2018	Hsu	
D816,353 S *	5/2018	Barre	D6/320
D871,009 S	12/2019	Sanduri Cohen	
D916,412 S *	4/2021	Moody Fear	D32/55
D955,076 S *	6/2022	Wood	D32/55
D957,079 S *	7/2022	Liang	D32/55
D957,775 S *	7/2022	Lien	D32/55
D957,780 S *	7/2022	Hiramasu	D32/58
D957,781 S *	7/2022	Hiramasu	D32/58
D959,084 S *	7/2022	Nilaweera	D32/55

* cited by examiner

Primary Examiner — Austin Murphy

(74) *Attorney, Agent, or Firm* — Christopher Pilling

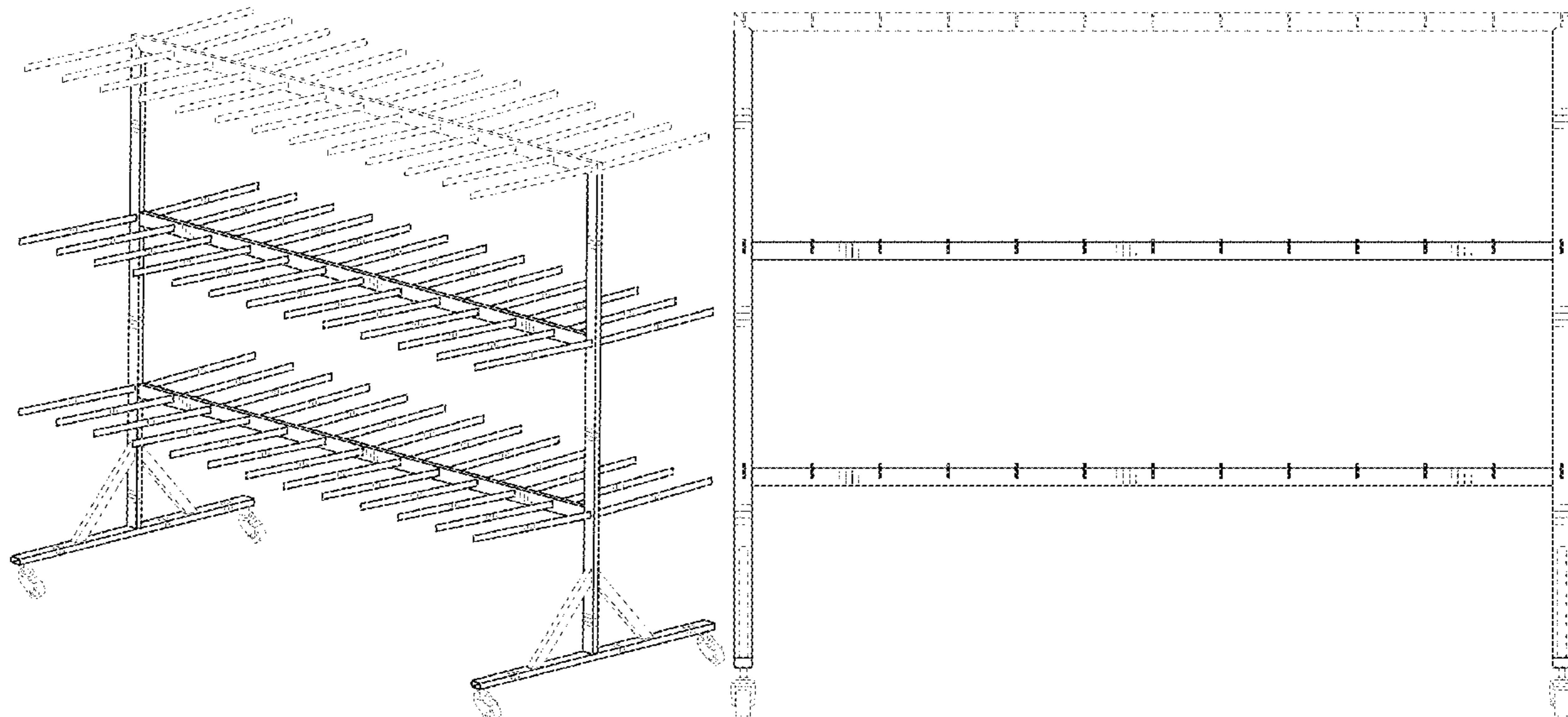
(57) **CLAIM**

We claim the ornamental design for a drying rack, as shown and described.

DESCRIPTION

FIG. 1 is a front, right perspective view showing my new design of a drying rack;
FIG. 2 is a right side view thereof, the left side view being a mirror image;
FIG. 3 is a front view thereof, the rear view being a mirror image; and,
FIG. 4 is a top view thereof.
The bottom view is not visible during use.
The broken lines are shown illustrate portions of the drying rack that form no part of the claimed design.

1 Claim, 4 Drawing Sheets



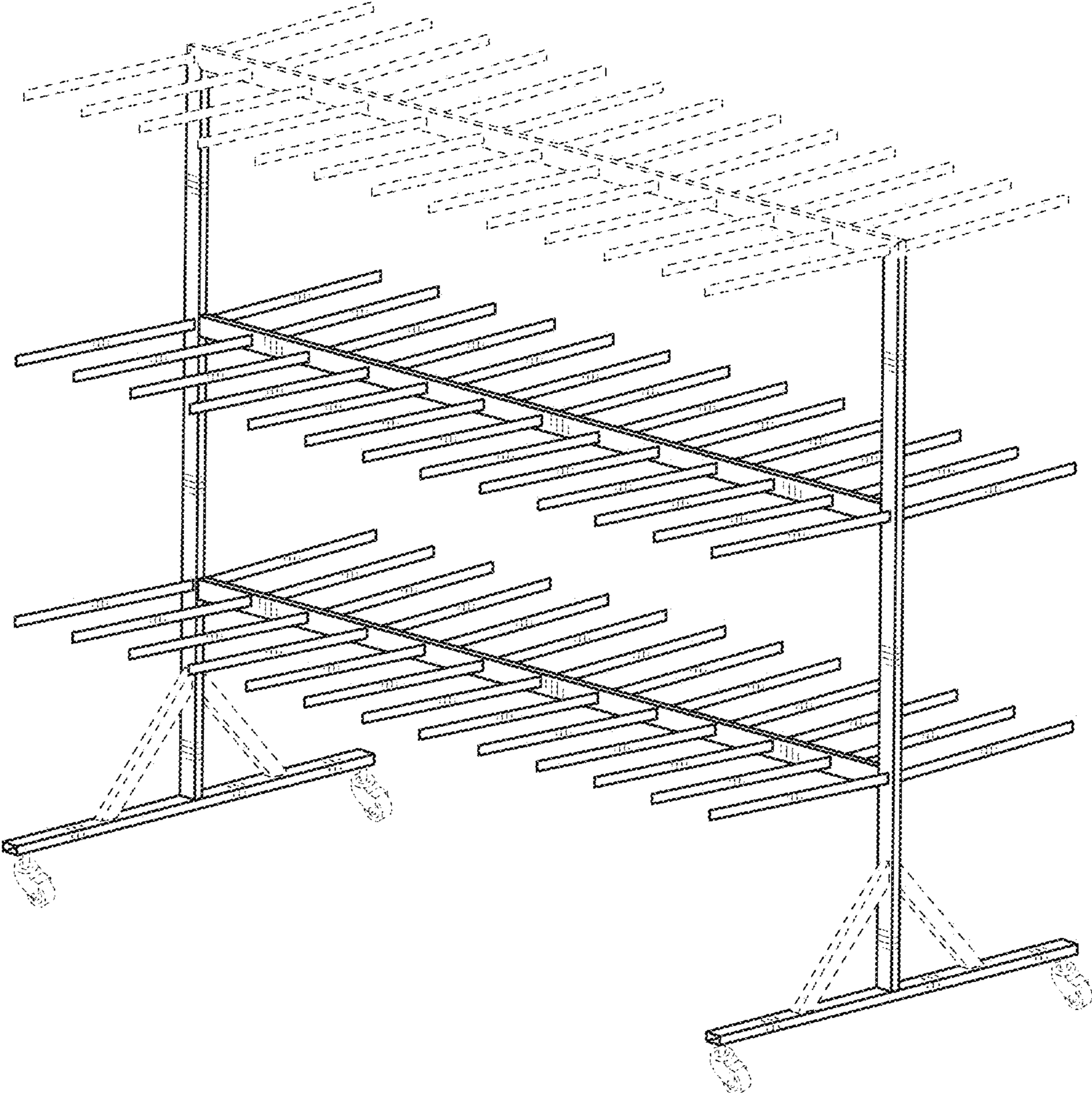


FIG. 1

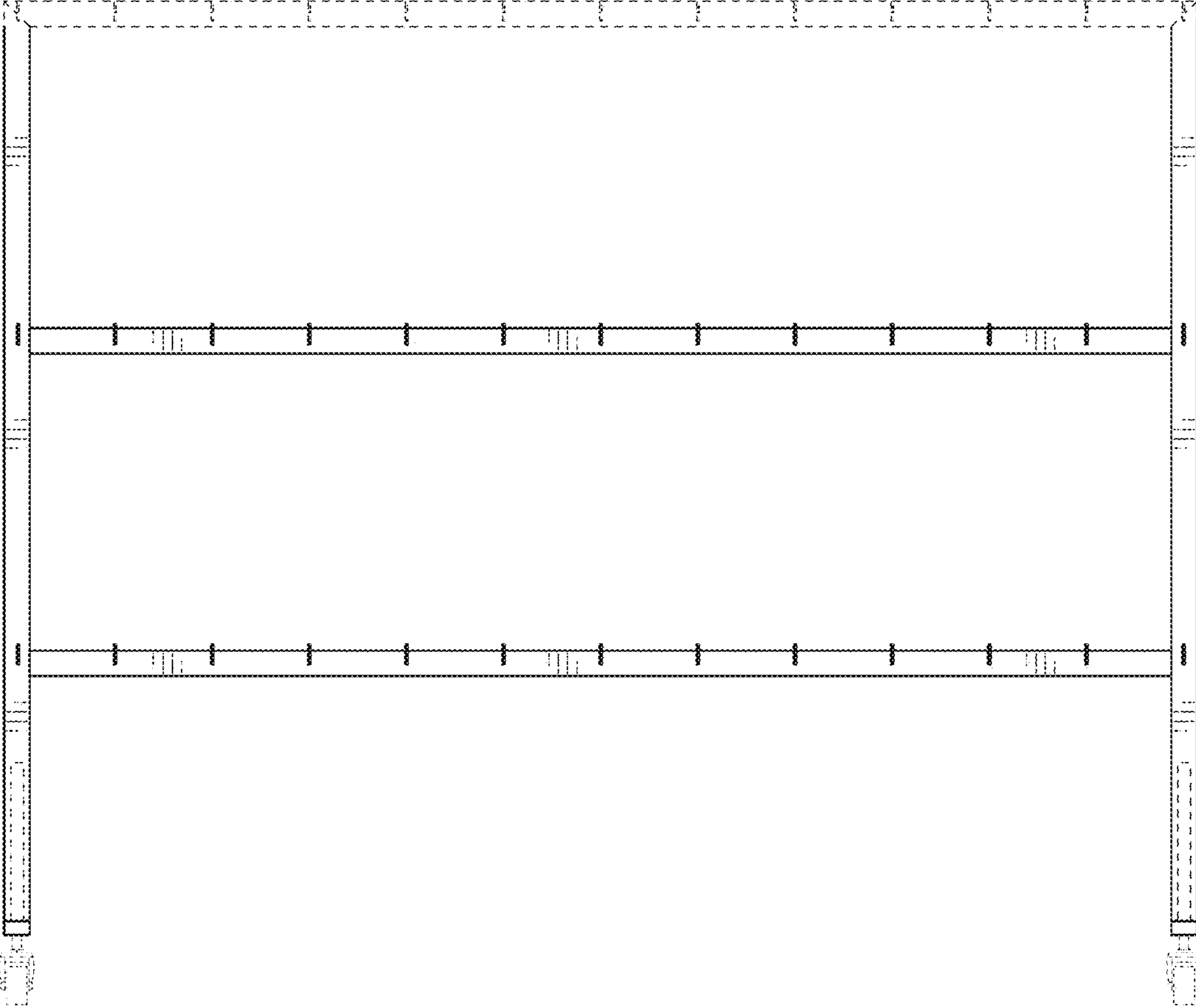


FIG. 2

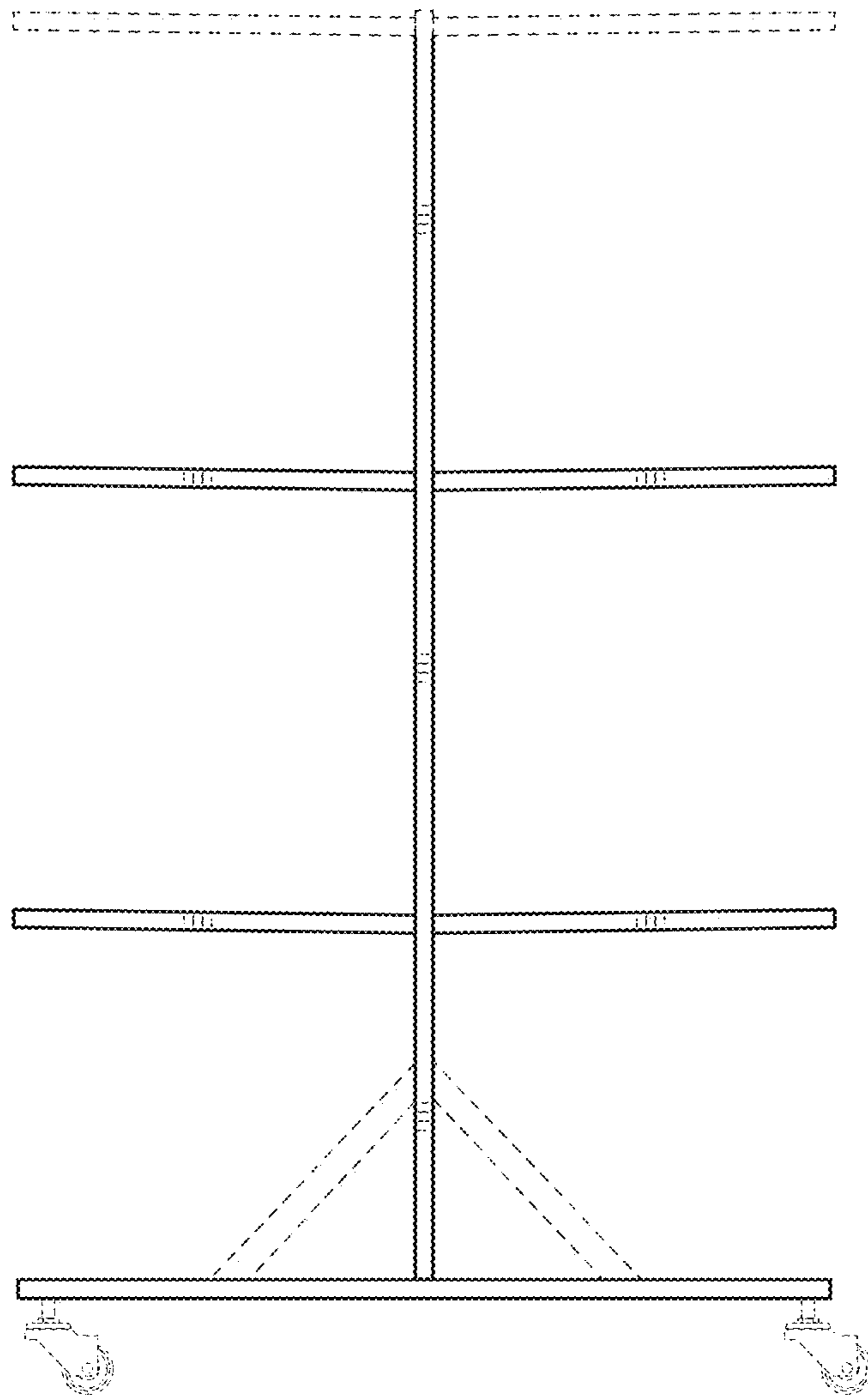


FIG. 3

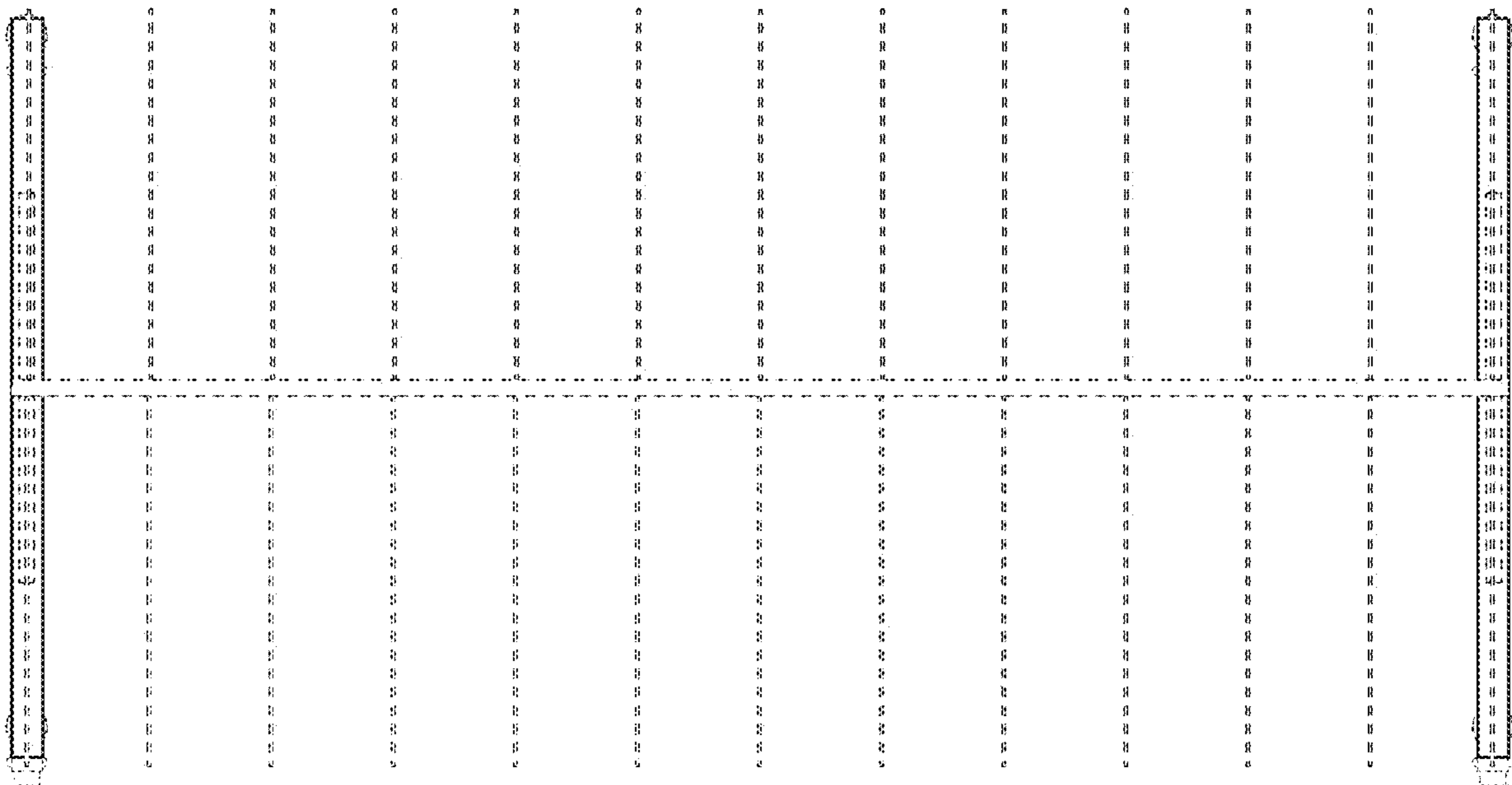


FIG. 4