

US00D969431S

(12) **United States Design Patent**  
**Shiflett, Jr. et al.**

(10) **Patent No.:** **US D969,431 S**  
(45) **Date of Patent:** **\*\* Nov. 8, 2022**

(54) **BUCKET WITH EXTERNAL ORGANIZER**  
(71) Applicants: **Ronald C. Shiflett, Jr.**, Midlothian, VA (US); **Grant H. Caldwell**, Midlothian, VA (US); **Timothy J. Powell**, Steinhatchee, FL (US); **Kenneth D. Robertson**, Midlothian, VA (US)

6,823,998 B2 \* 11/2004 Fabregas ..... B25H 3/06  
211/70.6  
D899,020 S \* 10/2020 Shiflett, Jr. .... D8/71  
D903,426 S \* 12/2020 Loomis ..... D19/103  
D946,852 S \* 3/2022 Shiflett, Jr. .... D8/71  
(Continued)

(72) Inventors: **Ronald C. Shiflett, Jr.**, Midlothian, VA (US); **Grant H. Caldwell**, Midlothian, VA (US); **Timothy J. Powell**, Steinhatchee, FL (US); **Kenneth D. Robertson**, Midlothian, VA (US)

**OTHER PUBLICATIONS**  
grainger.com rubbermaid rim caddy <https://www.grainger.com/product/4CY23> (Year: 2022).\*

*Primary Examiner* — Kevin K Rudzinski  
*Assistant Examiner* — Richard E Yenchesky  
(74) *Attorney, Agent, or Firm* — Russell Manning; FisherBroyles, LLP

(\*\*) Term: **15 Years**

(57) **CLAIM**  
The ornamental design for the bucket with external organizer, as shown and described.

(21) Appl. No.: **29/759,226**

(22) Filed: **Nov. 20, 2020**

(51) **LOC (13) Cl.** ..... **07-05**

(52) **U.S. Cl.**  
USPC ..... **D32/54**

(58) **Field of Classification Search**  
USPC ..... D3/304, 307-316; D7/605, 701, 705, D7/708; D32/53, 53.1, 54  
CPC ..... A47L 13/51; B44D 3/123; B44D 3/126; B44D 3/128; B65D 1/22; B65D 1/243; F25D 3/08; F25D 31/007  
See application file for complete search history.

**DESCRIPTION**

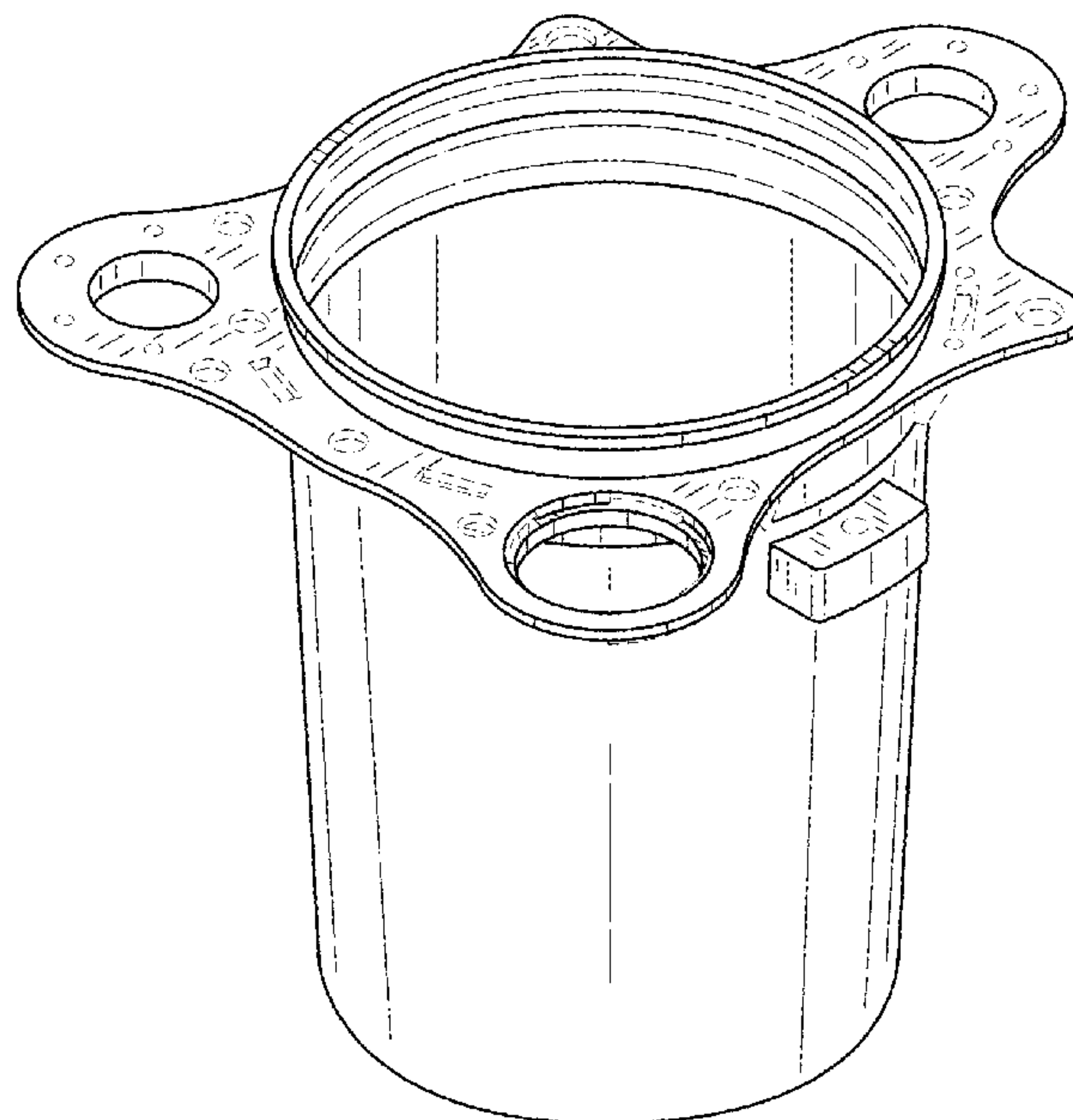
FIG. 1 is top perspective view of the bucket with external organizer;  
FIG. 2 is first bottom perspective view of the bucket with external organizer;  
FIG. 3 is a second bottom perspective view of the bucket with external organizer;  
FIG. 4 is a front view of the bucket with external organizer;  
FIG. 5 is a back view of the bucket with external organizer;  
FIG. 6 is right side view of the bucket with external organizer;  
FIG. 7 is left side view of the bucket with external organizer;  
FIG. 8 is a top view of the bucket with external organizer; and,  
FIG. 9 is a bottom view of the bucket with external organizer.  
The broken lines showing portions of the bucket with the external organizer form no part of the claimed design.

(56) **References Cited**

**U.S. PATENT DOCUMENTS**

1,486,676 A \* 3/1924 Nilssen ..... A41D 13/0012  
2/300  
1,569,157 A \* 1/1926 Thompson ..... A47F 3/14  
211/74  
5,211,294 A \* 5/1993 Garman ..... B44D 3/123  
248/213.2  
D484,701 S \* 1/2004 Fabregas ..... D3/315

**1 Claim, 9 Drawing Sheets**



(56)

**References Cited**

U.S. PATENT DOCUMENTS

2006/0219586 A1\* 10/2006 Phillips ..... B44D 3/123  
206/561  
2006/0277814 A1\* 12/2006 Lucky ..... A01K 97/10  
43/21.2  
2014/0263365 A1\* 9/2014 Tollen ..... A47G 19/065  
220/575  
2019/0254454 A1\* 8/2019 Boyatt ..... A47G 23/0616  
2020/0122889 A1\* 4/2020 Caldwell ..... B25H 3/00  
2021/0070502 A1\* 3/2021 Shiflett, Jr. .... B25H 3/00

\* cited by examiner

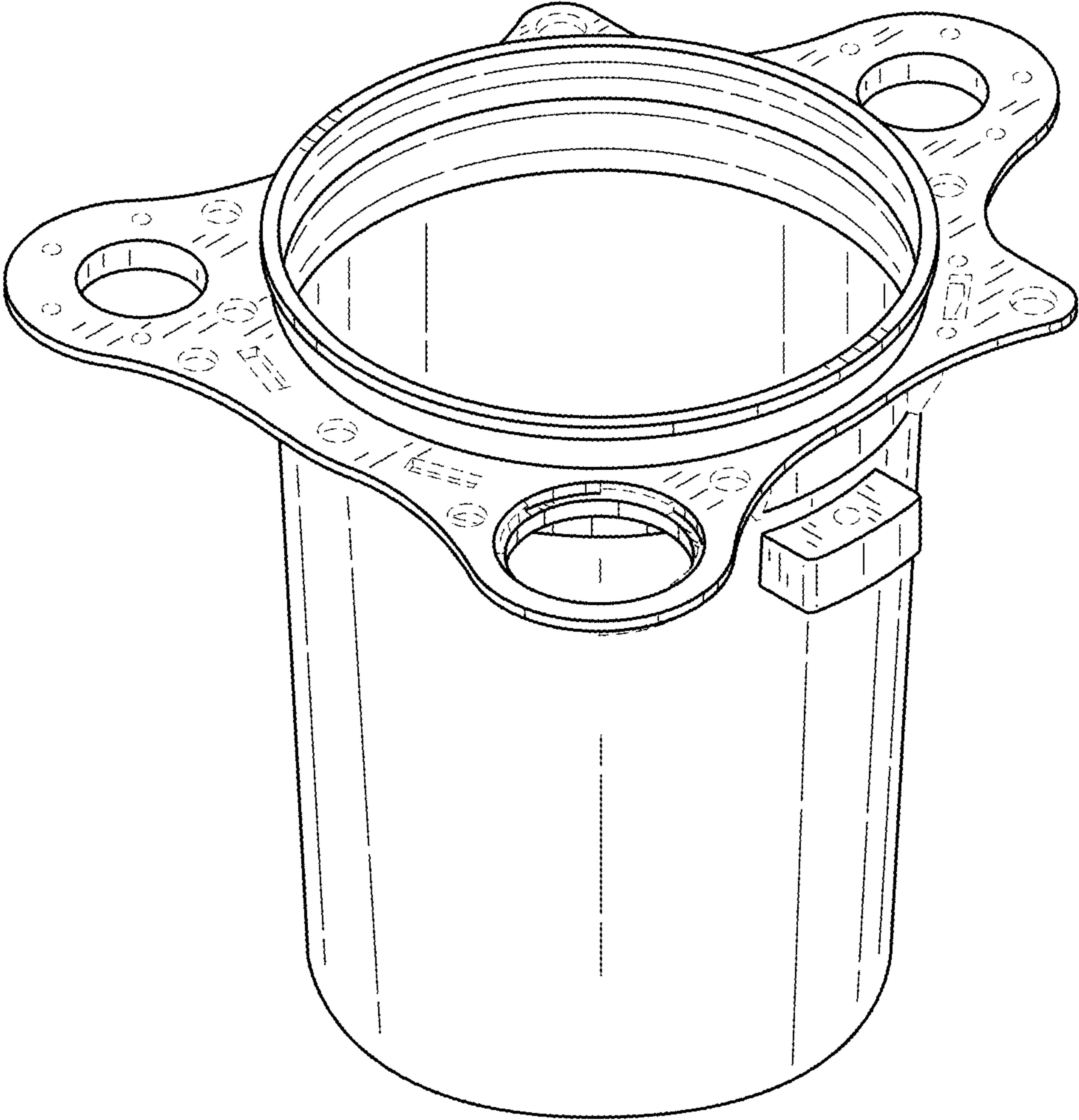


FIG.1

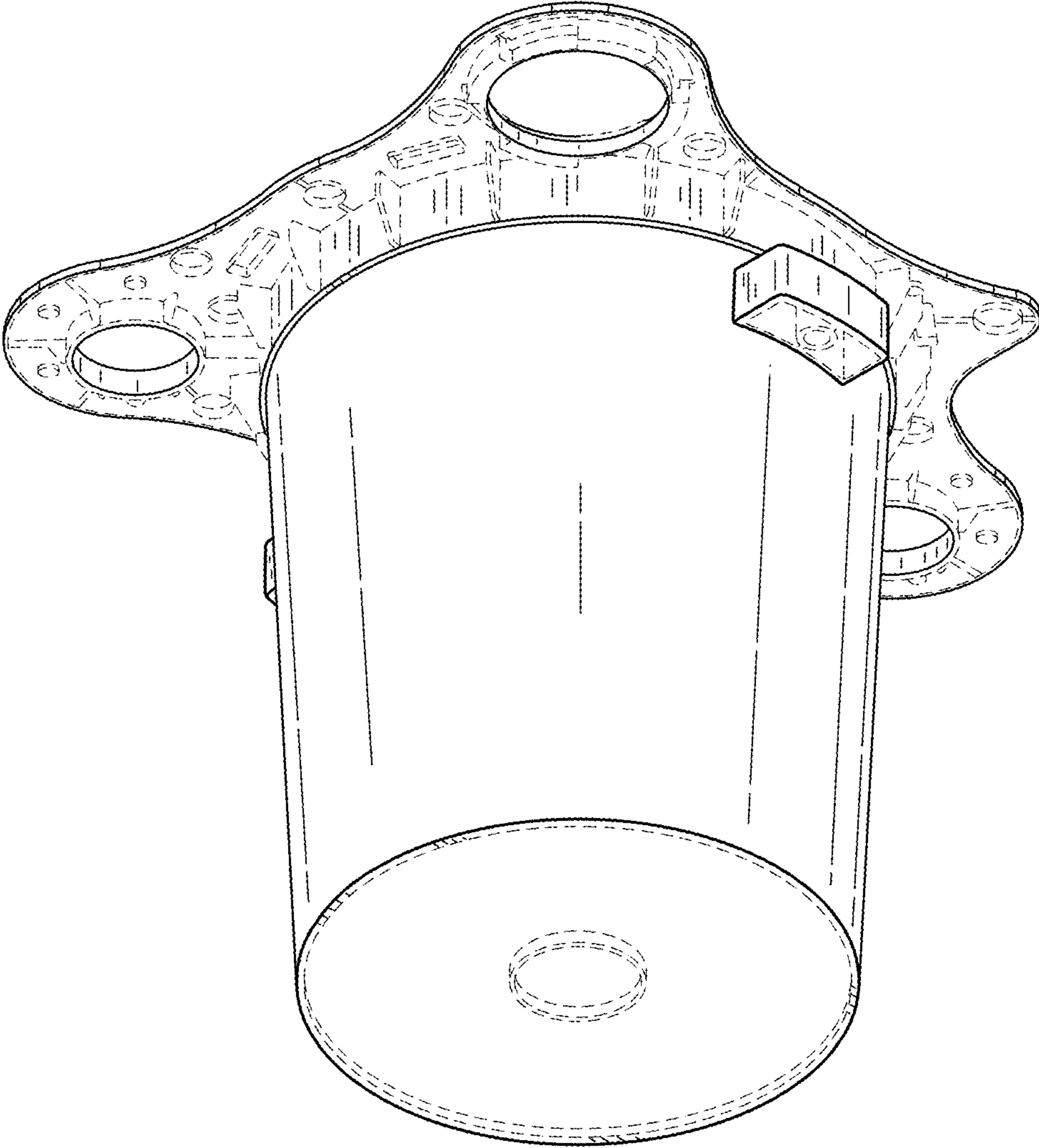


FIG.2

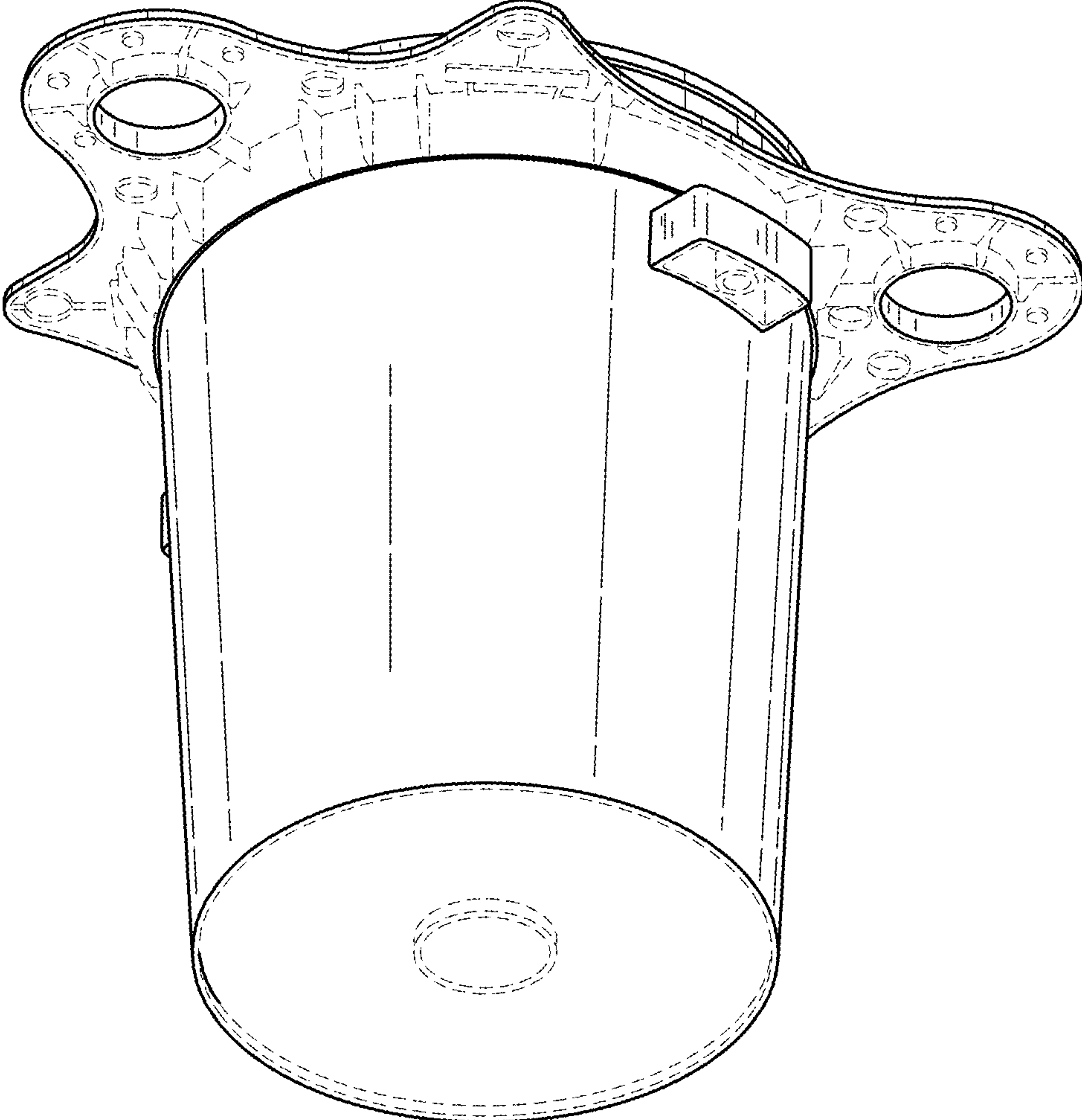


FIG.3



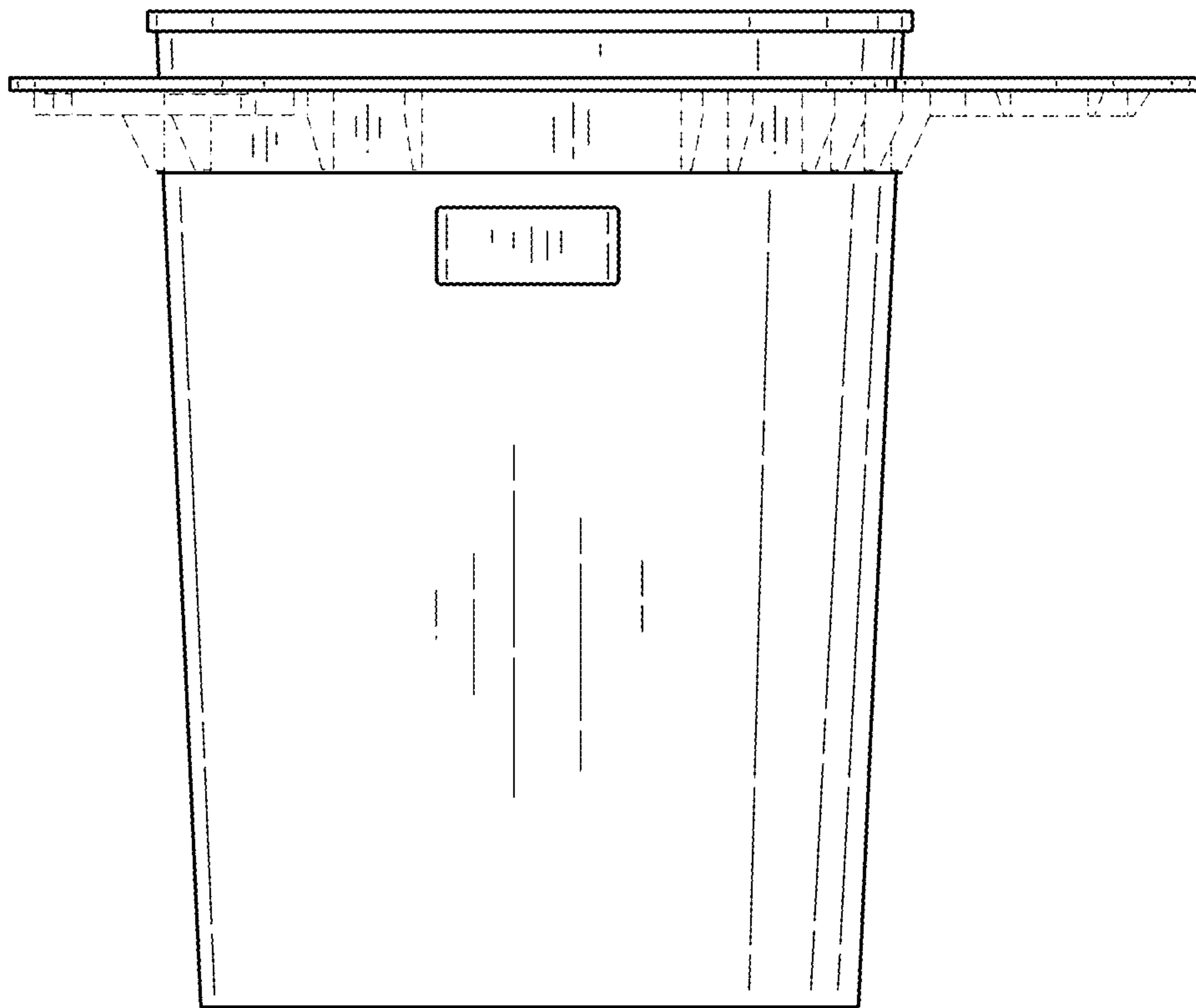


FIG.4

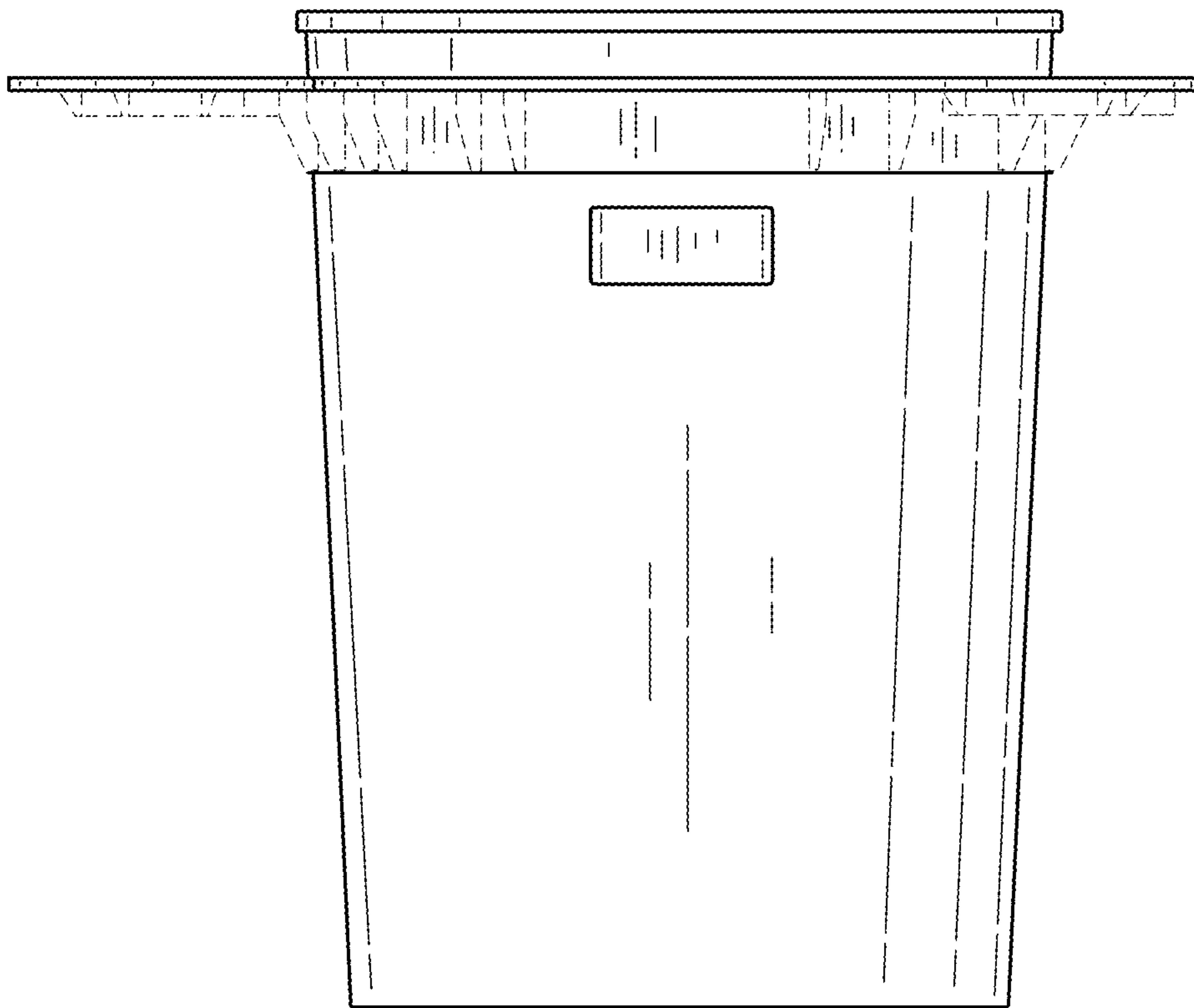


FIG.5

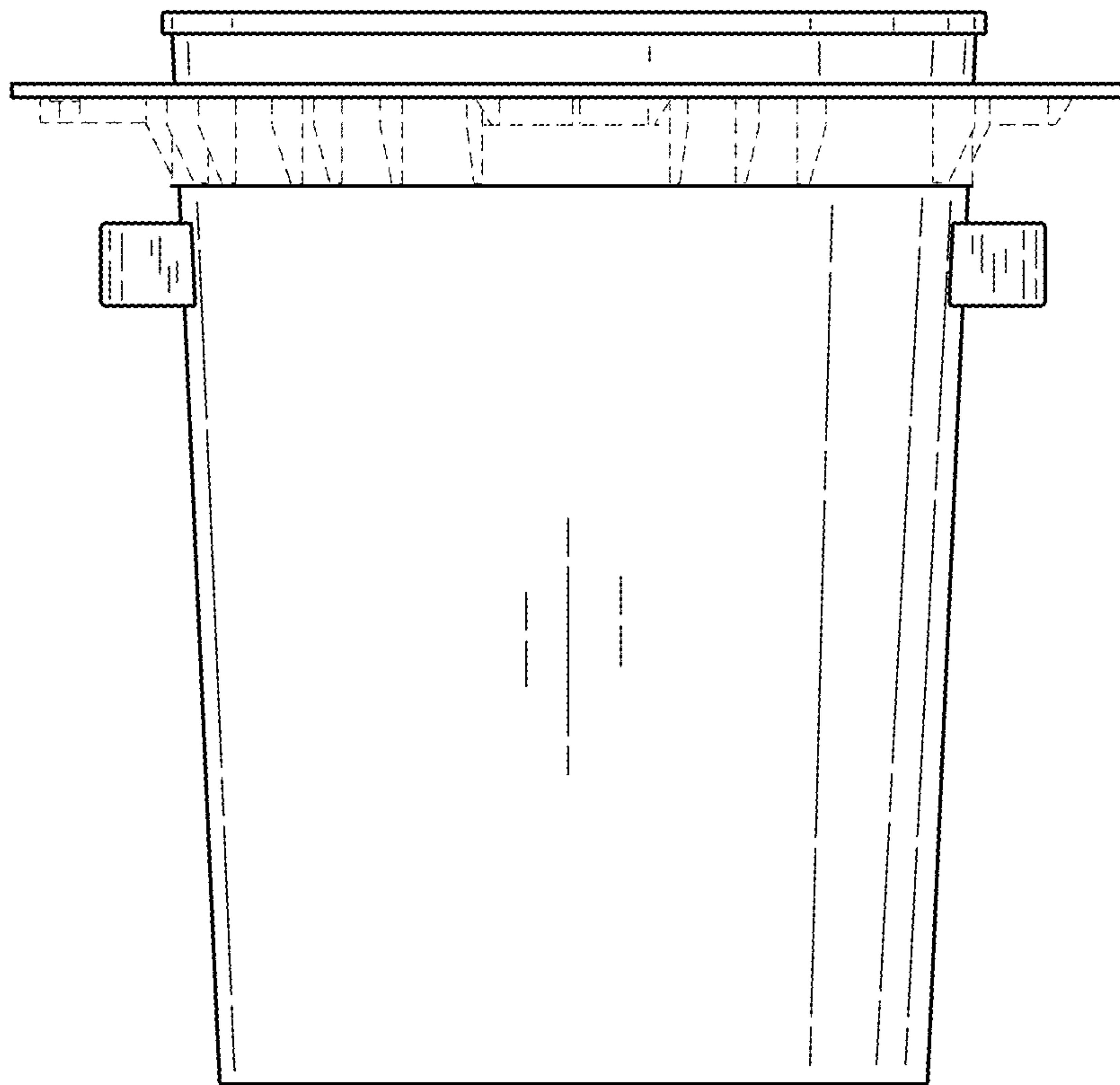


FIG.6



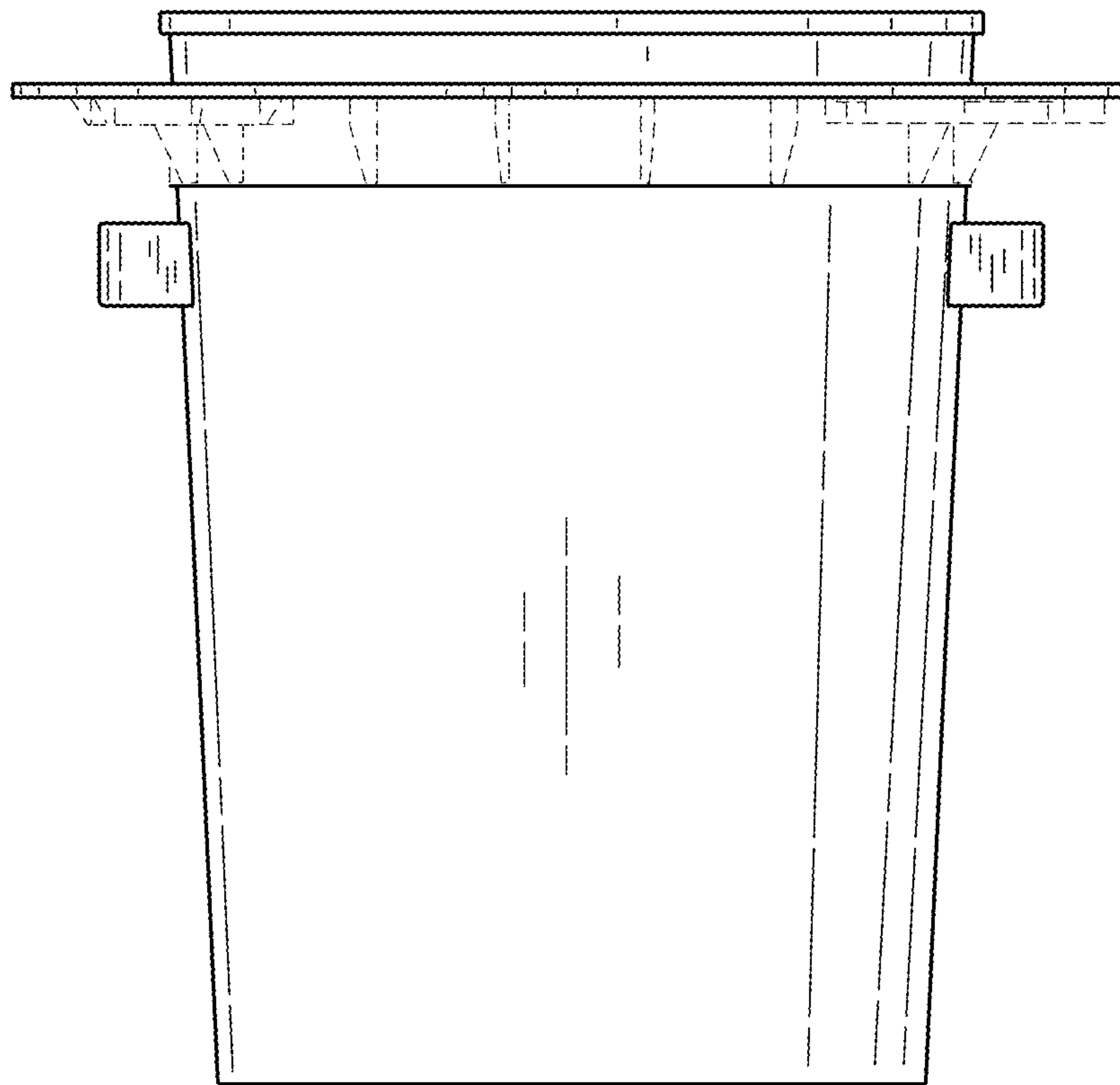


FIG.7

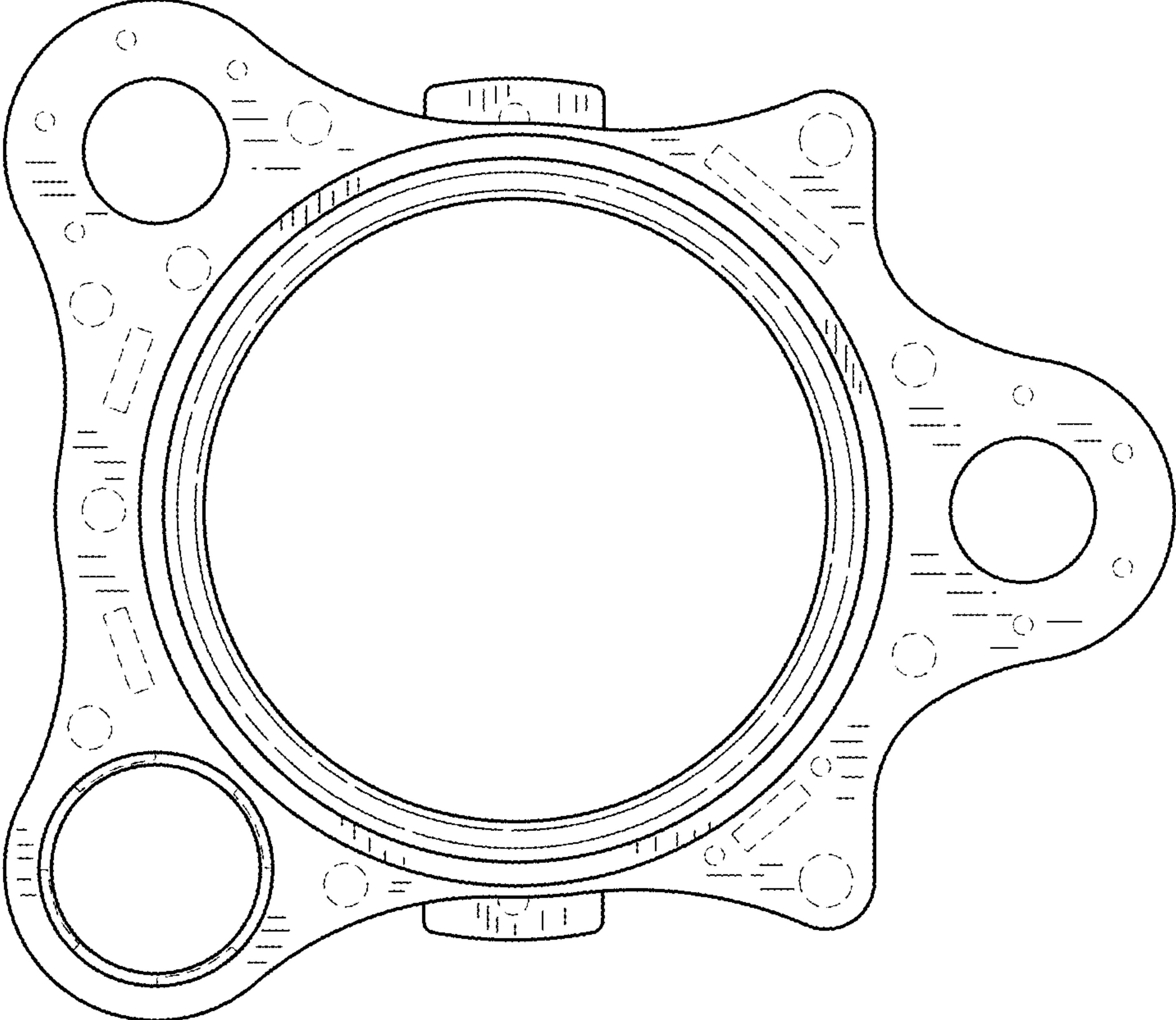


FIG.8

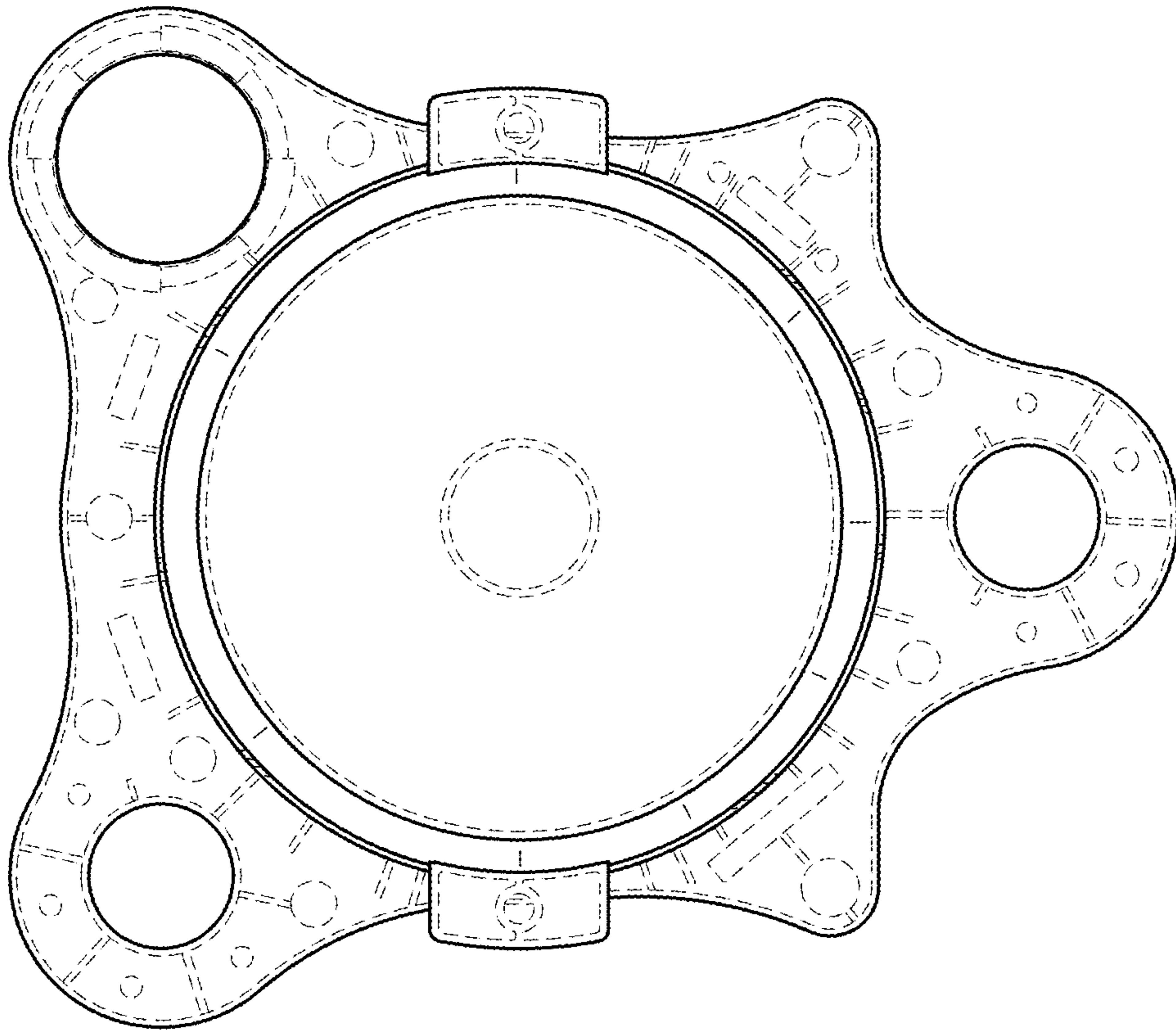


FIG.9