

US00D969428S

(12) **United States Design Patent**
Guo et al.

(10) **Patent No.:** **US D969,428 S**

(45) **Date of Patent:** **** Nov. 8, 2022**

(54) **POOL CLEANER**

(71) Applicant: **Hangzhou Kongyu Swimming Pool Co., Ltd.**, Zhejiang (CN)

(72) Inventors: **JinMing Guo**, Zhejiang (CN);
ChengDong Zhang, Zhejiang (CN)

(73) Assignee: **Hangzhou Kongyu Swimming Pool Co., Ltd.**, Zhejiang (CN)

(**) Term: **15 Years**

(21) Appl. No.: **29/814,618**

(22) Filed: **Nov. 8, 2021**

(51) **LOC (13) Cl.** **15-05**

(52) **U.S. Cl.**
USPC **D32/21**

(58) **Field of Classification Search**
USPC D32/15-24, 31-34
CPC A47L 9/00; A47L 9/009; A47L 2201/00;
E04H 4/1218; E04H 4/16; E04H 4/1636;
E04H 4/1654; E04H 4/1672; E04H
4/1663
See application file for complete search history.

(56) **References Cited**

U.S. PATENT DOCUMENTS

D421,512 S *	3/2000	Campbell	D32/21
6,099,091 A *	8/2000	Campbell	E04H 4/1654 180/164
D526,101 S *	8/2006	Blanc-Tailleur	D32/16
D530,869 S *	10/2006	Chen	D32/21
D575,915 S *	8/2008	Dreyer	D32/21
D594,610 S *	6/2009	Klimas	D32/21
D599,511 S *	9/2009	Massip	D32/17
D599,967 S *	9/2009	Blanc-Tailleur	D32/21
D623,365 S *	9/2010	Ediger	D32/17
D670,462 S *	11/2012	Mastio	D32/21
D684,738 S *	6/2013	Richiuso	D32/21
D697,277 S *	1/2014	Massip	D32/32

D721,460 S *	1/2015	Hanan	D32/21
8,990,990 B2 *	3/2015	Gopalan	E04H 4/1654 180/7.3
9,119,463 B2 *	9/2015	Gopalan	E04H 4/1654
9,845,609 B2 *	12/2017	Renaud	E04H 4/1663
D866,102 S	11/2019	Tamar et al.		
D876,733 S *	2/2020	Hui	D32/21

(Continued)

OTHER PUBLICATIONS

2160 Intelligent Cordless Robotic Machine Pool Cleaner (on-line), no date available. Retrieved from Internet Aug. 19, 2022, URL: https://www.alibaba.com/product-detail/2160-Intelligent-Hot-Selling-Cordless-Vacuum_1600408857610.html (1 page).*

Primary Examiner — Kimberly Barnes

(74) *Attorney, Agent, or Firm* — ScienBiziP, P.C.

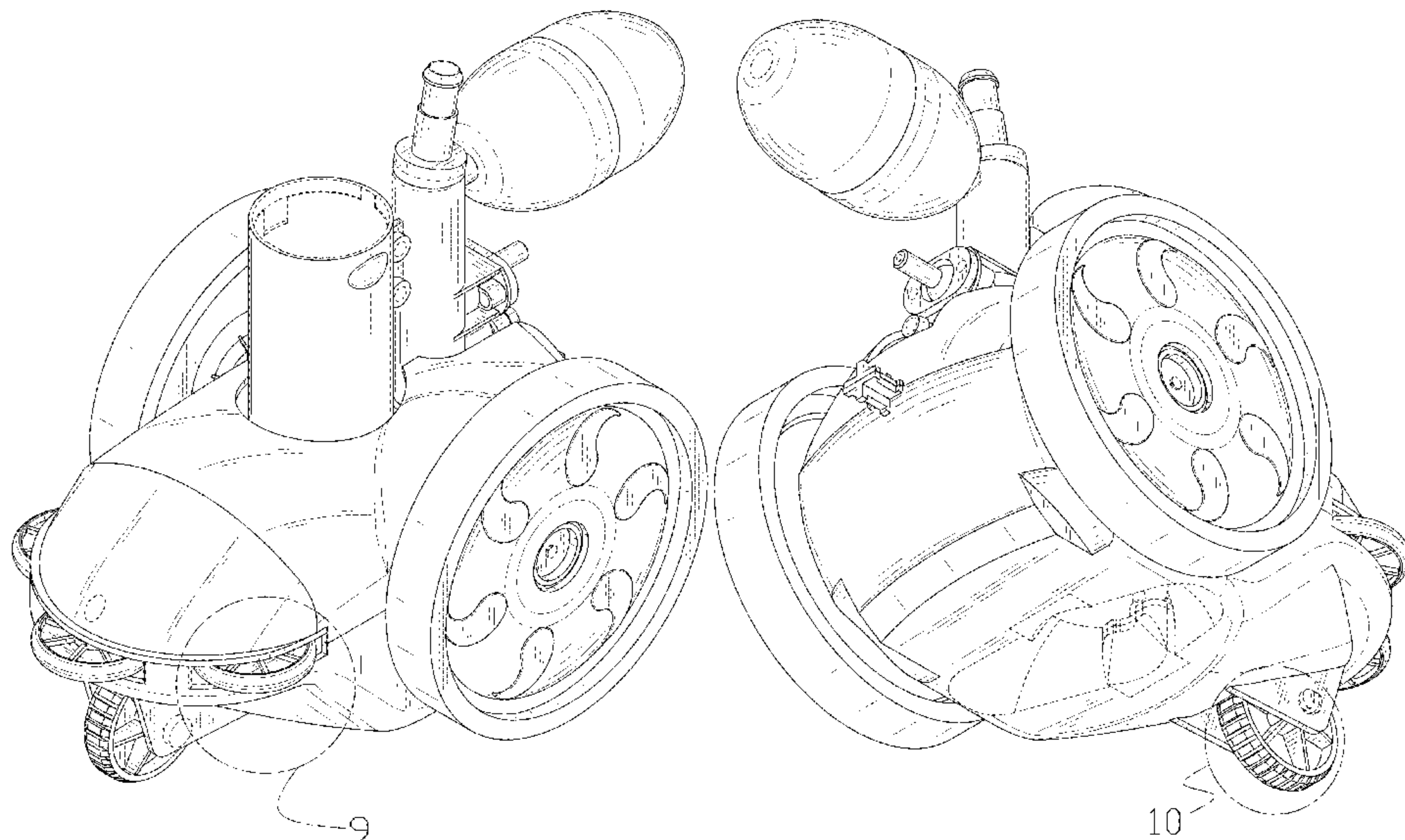
(57) **CLAIM**

The ornamental design for a pool cleaner, as shown and described.

DESCRIPTION

FIG. 1 is a front, right, and top perspective view of a pool cleaner, showing our design.
FIG. 2 is a rear, left, and bottom perspective view thereof.
FIG. 3 is a front elevation view thereof.
FIG. 4 is a rear elevation view thereof.
FIG. 5 is a left side elevation view thereof.
FIG. 6 is a right side elevation view thereof.
FIG. 7 is a top plan view thereof.
FIG. 8 is a bottom plan view thereof.
FIG. 9 is a partial enlarged view of an area labeled 9 in FIG. 1 comprising a first pulley; and,
FIG. 10 is a partial enlarged view of an area labeled 10 in FIG. 2 comprising a second pulley.
The broken lines shown in the drawings are included for the purpose of illustrating portions of the pool cleaner that form no part of the claimed design.

1 Claim, 10 Drawing Sheets



(56)

References Cited

U.S. PATENT DOCUMENTS

D882,193 S * 4/2020 Bruneel D32/21
10,851,558 B2 * 12/2020 Bruneel E04H 4/1663
D939,795 S * 12/2021 Huang D32/21
D945,723 S * 3/2022 Mjelde D32/21
D950,172 S * 4/2022 Ben-Simon D32/15
2021/0156163 A1 * 5/2021 Cao E04H 4/12

* cited by examiner

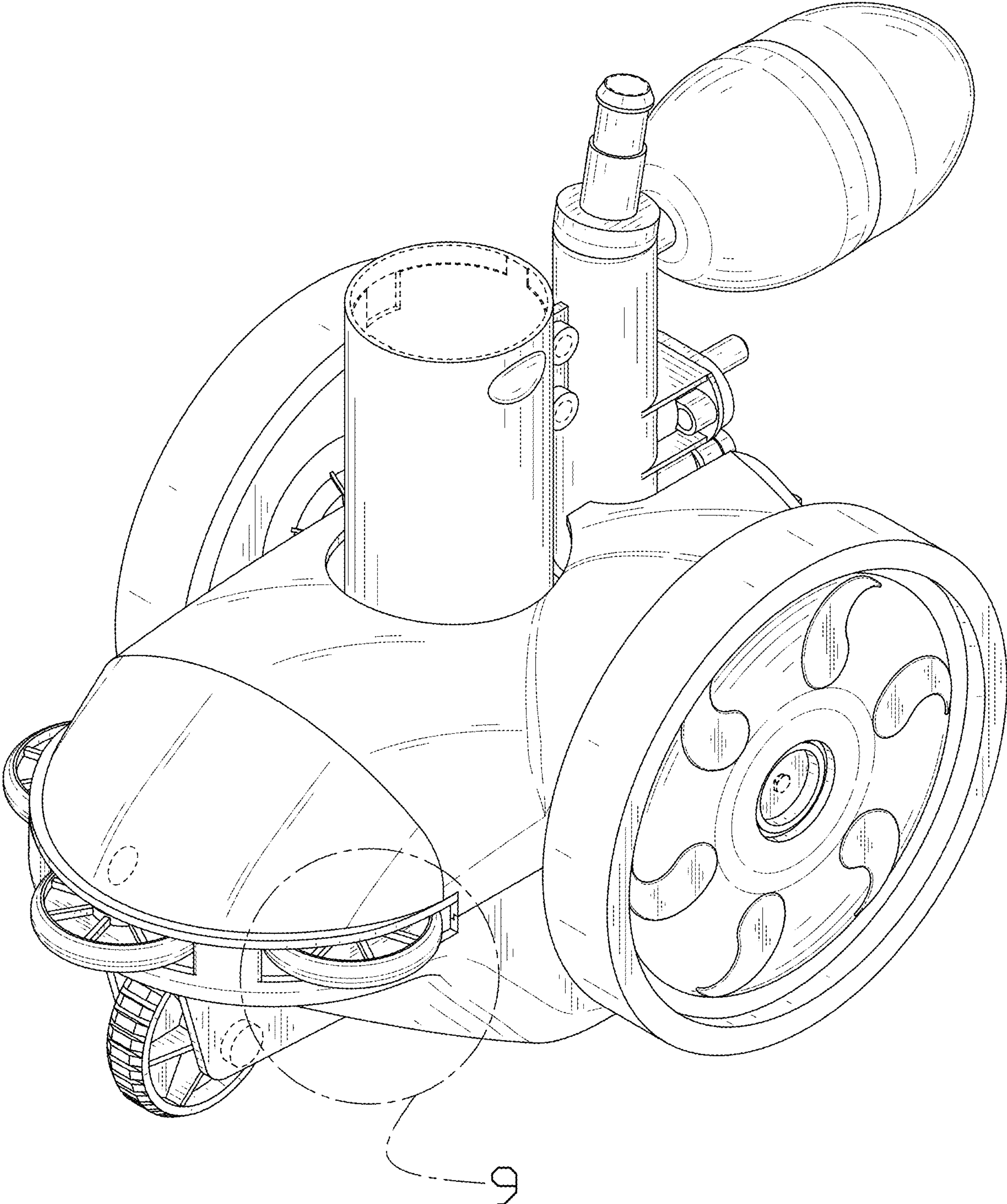


FIG. 1

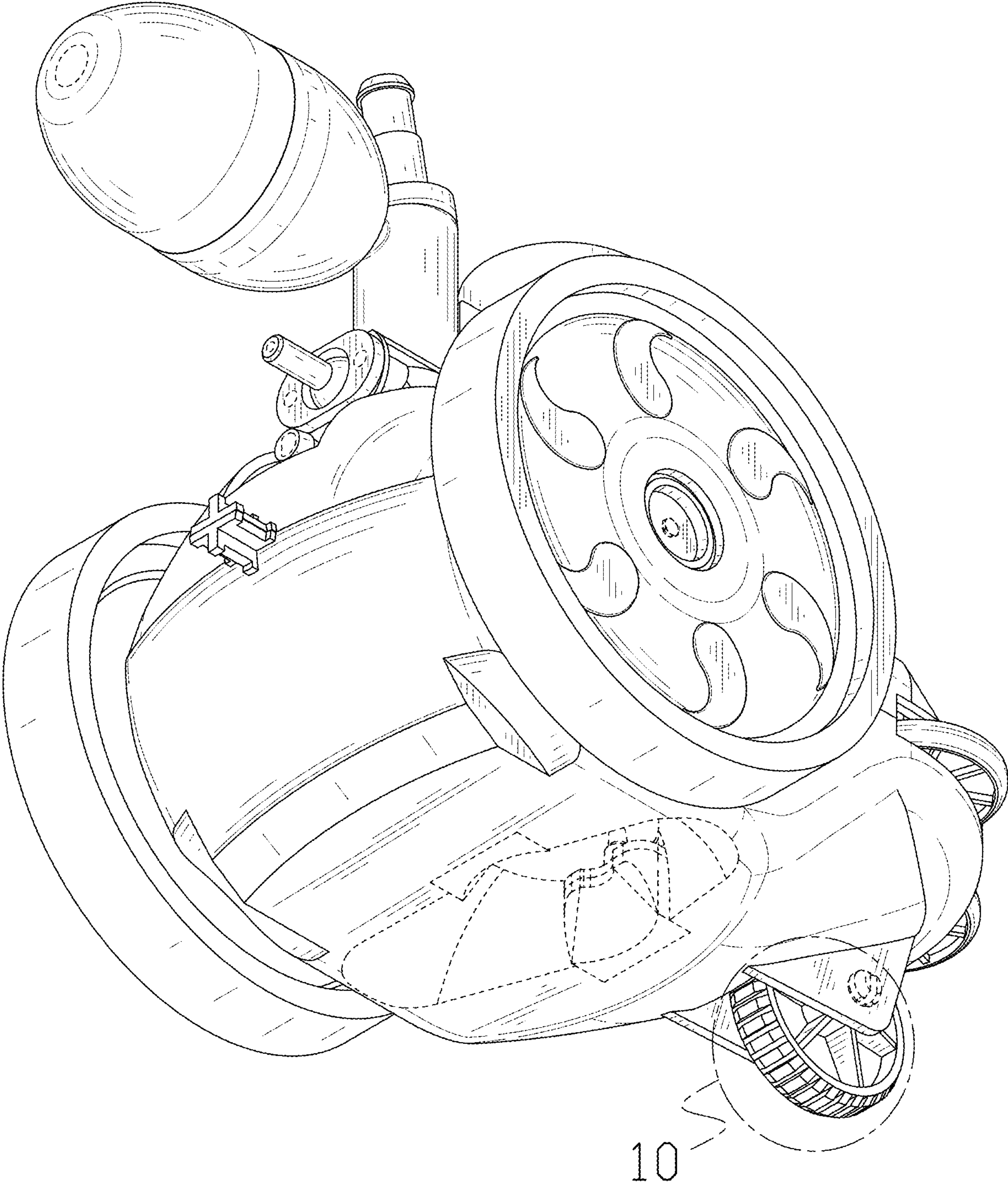


FIG. 2

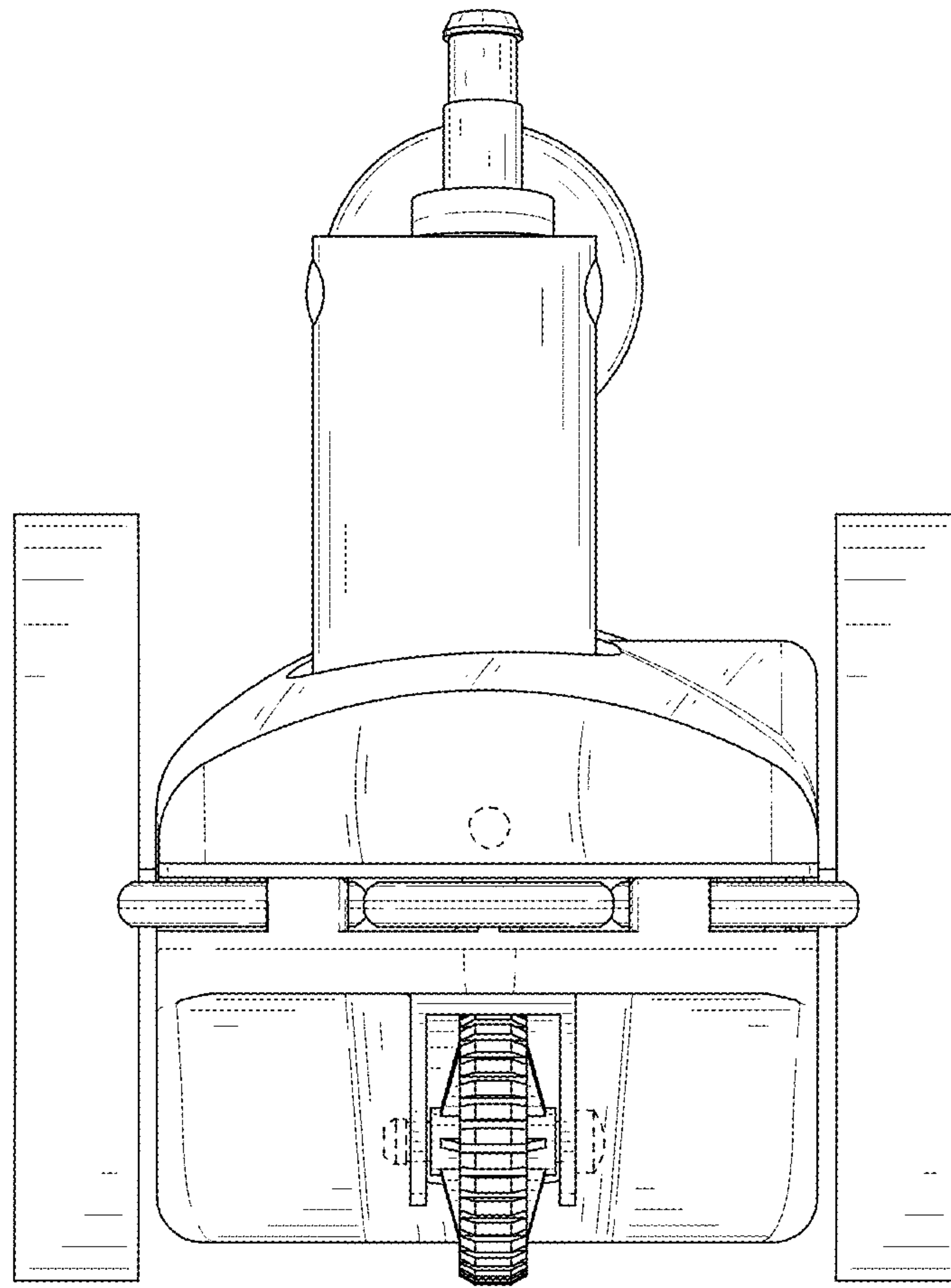


FIG. 3

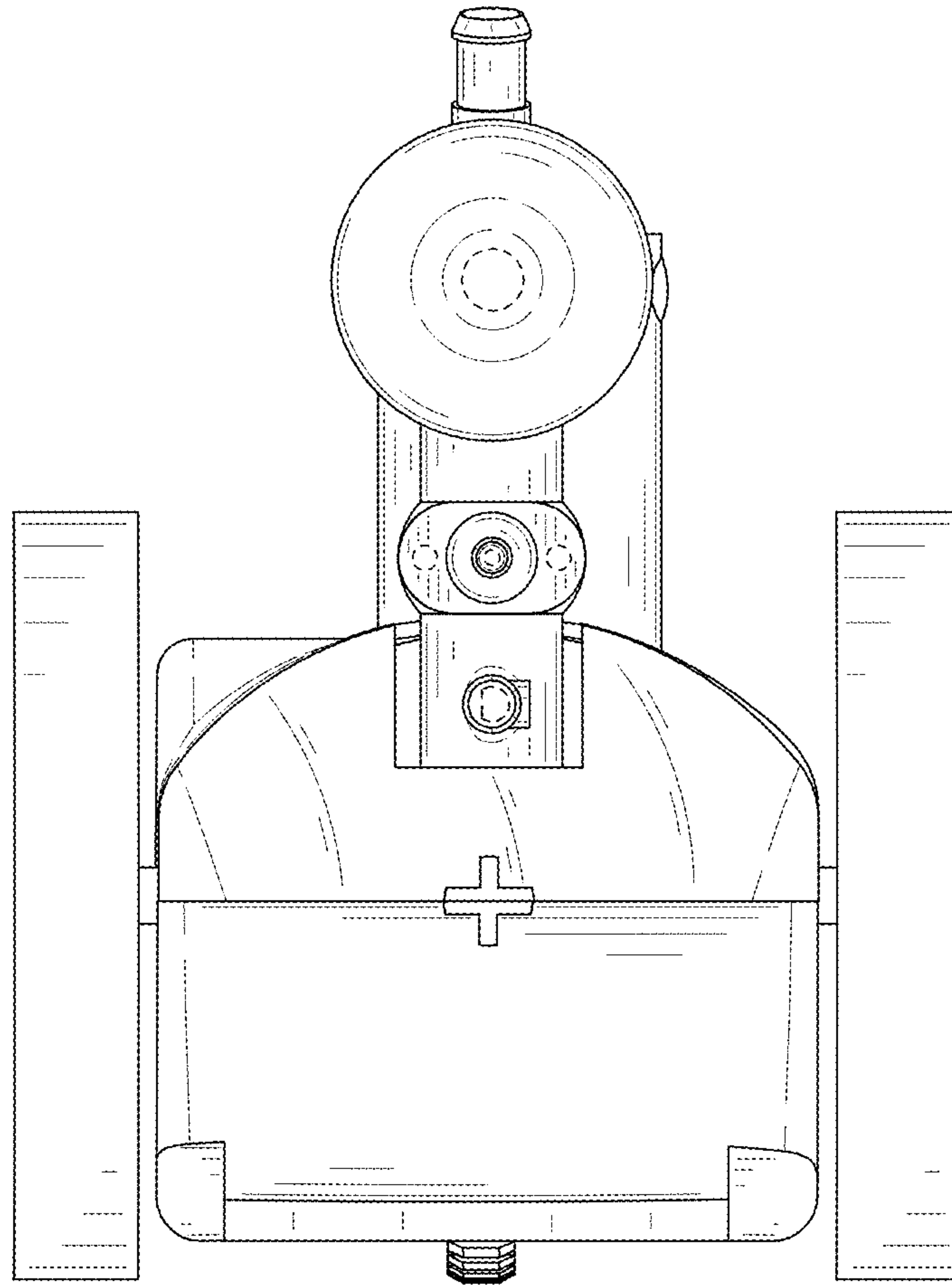


FIG. 4

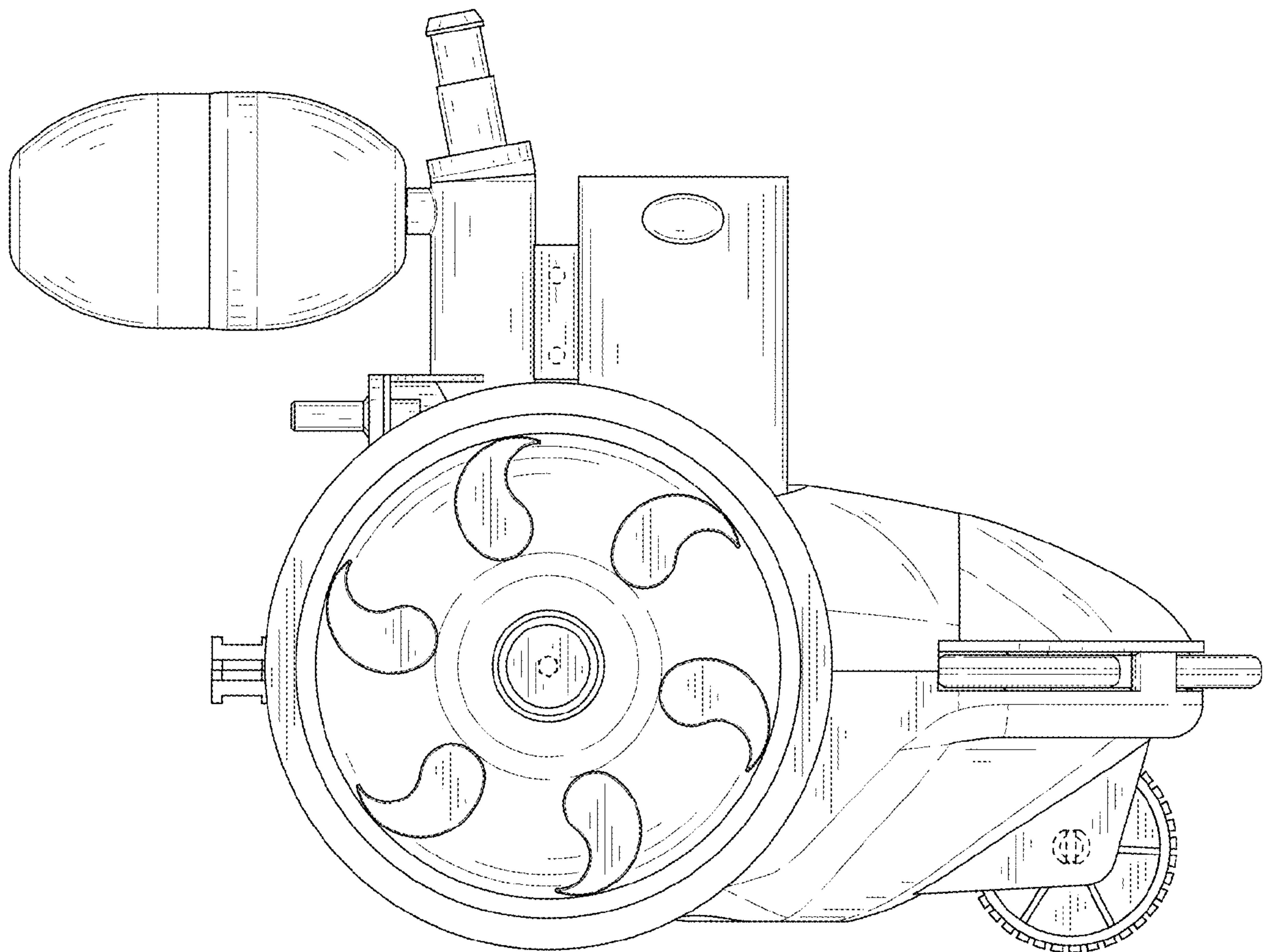


FIG. 5

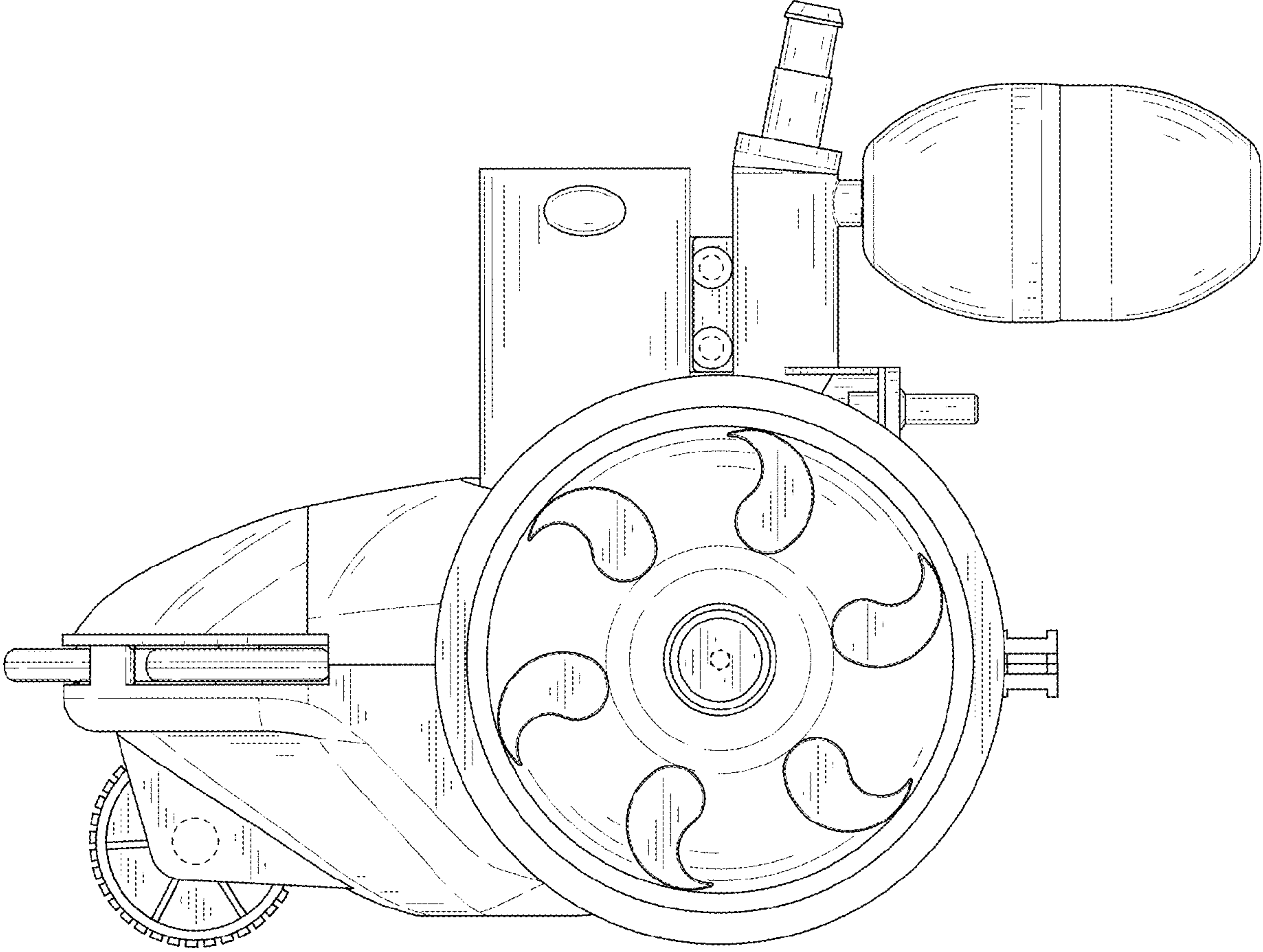


FIG. 6

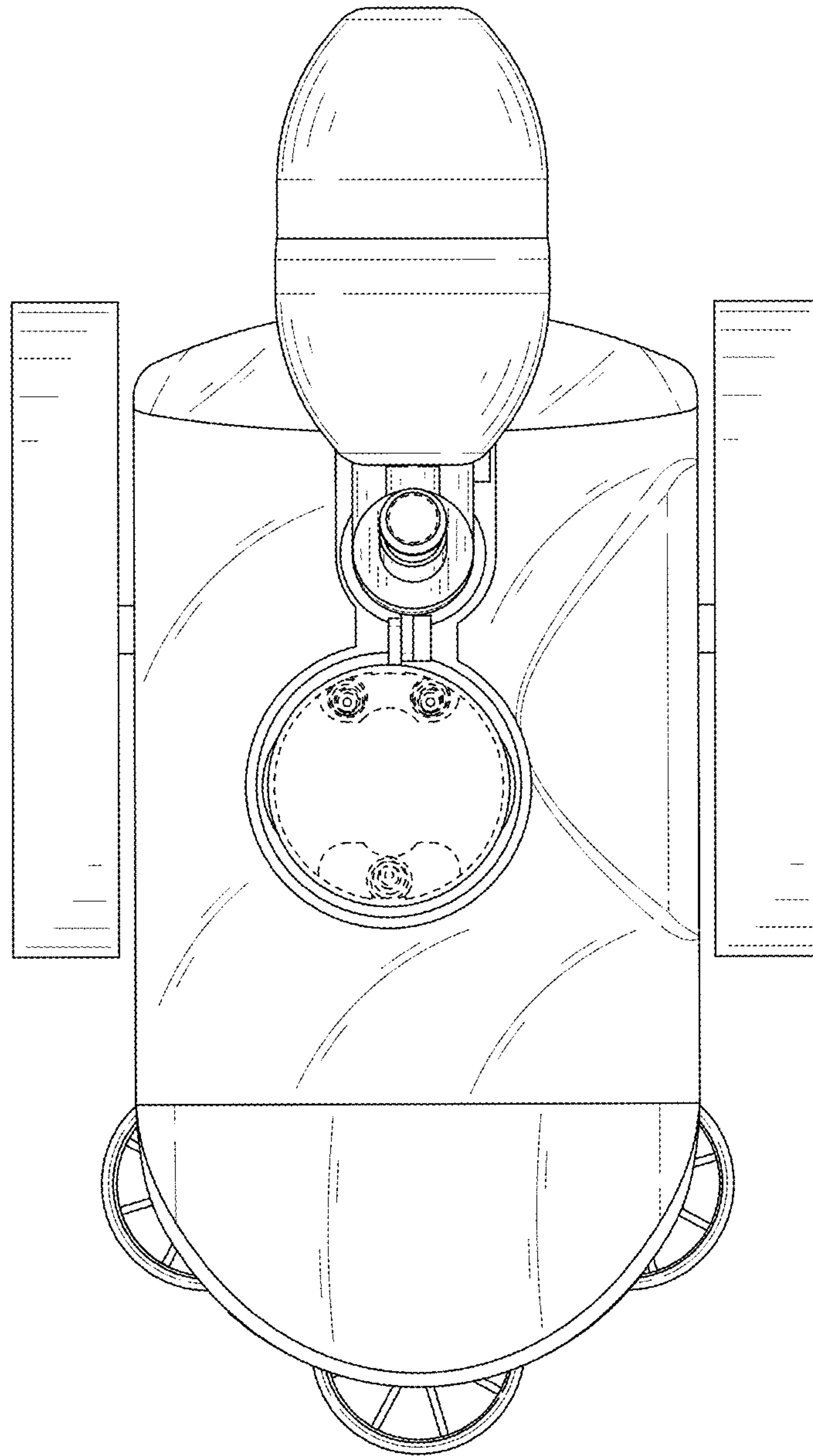


FIG. 7

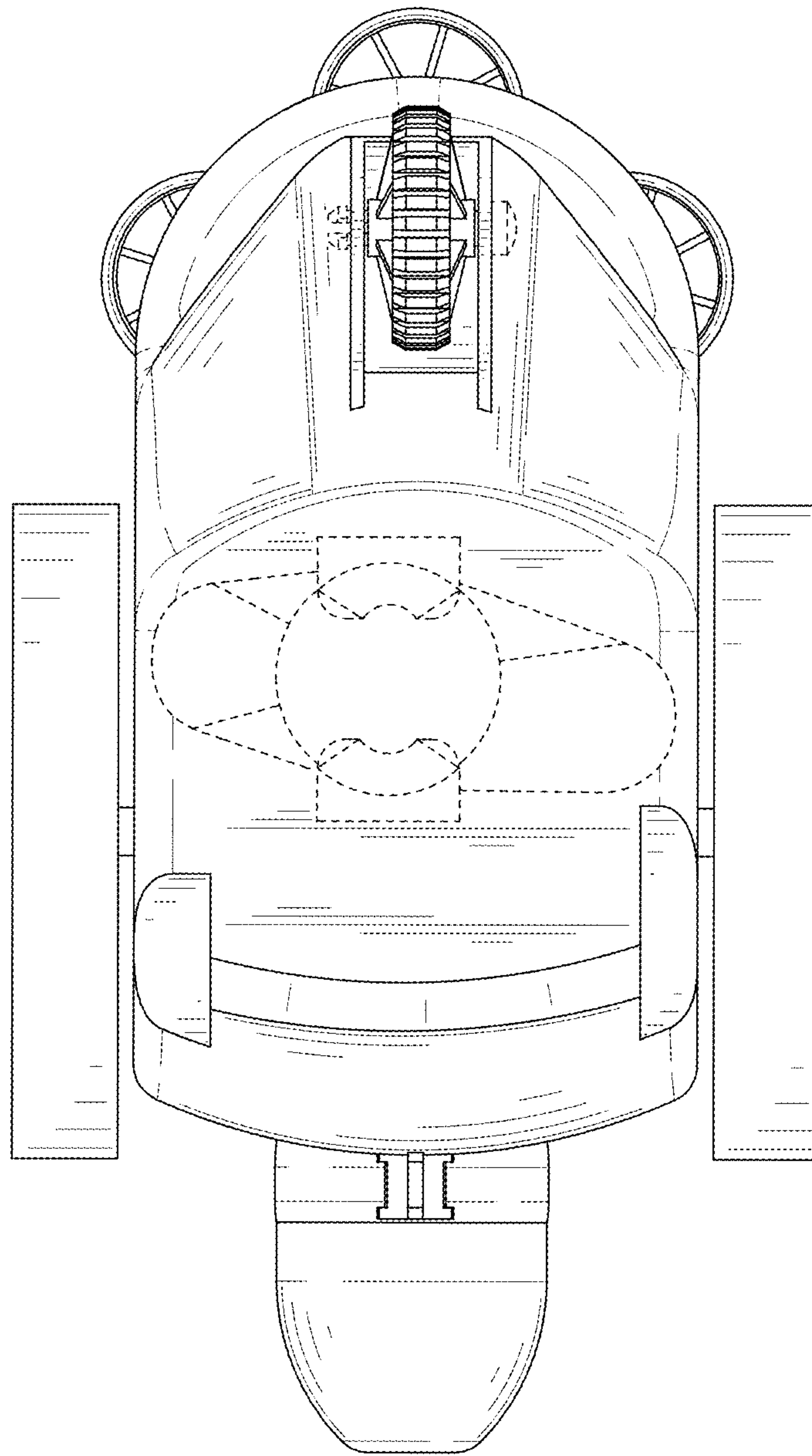


FIG. 8

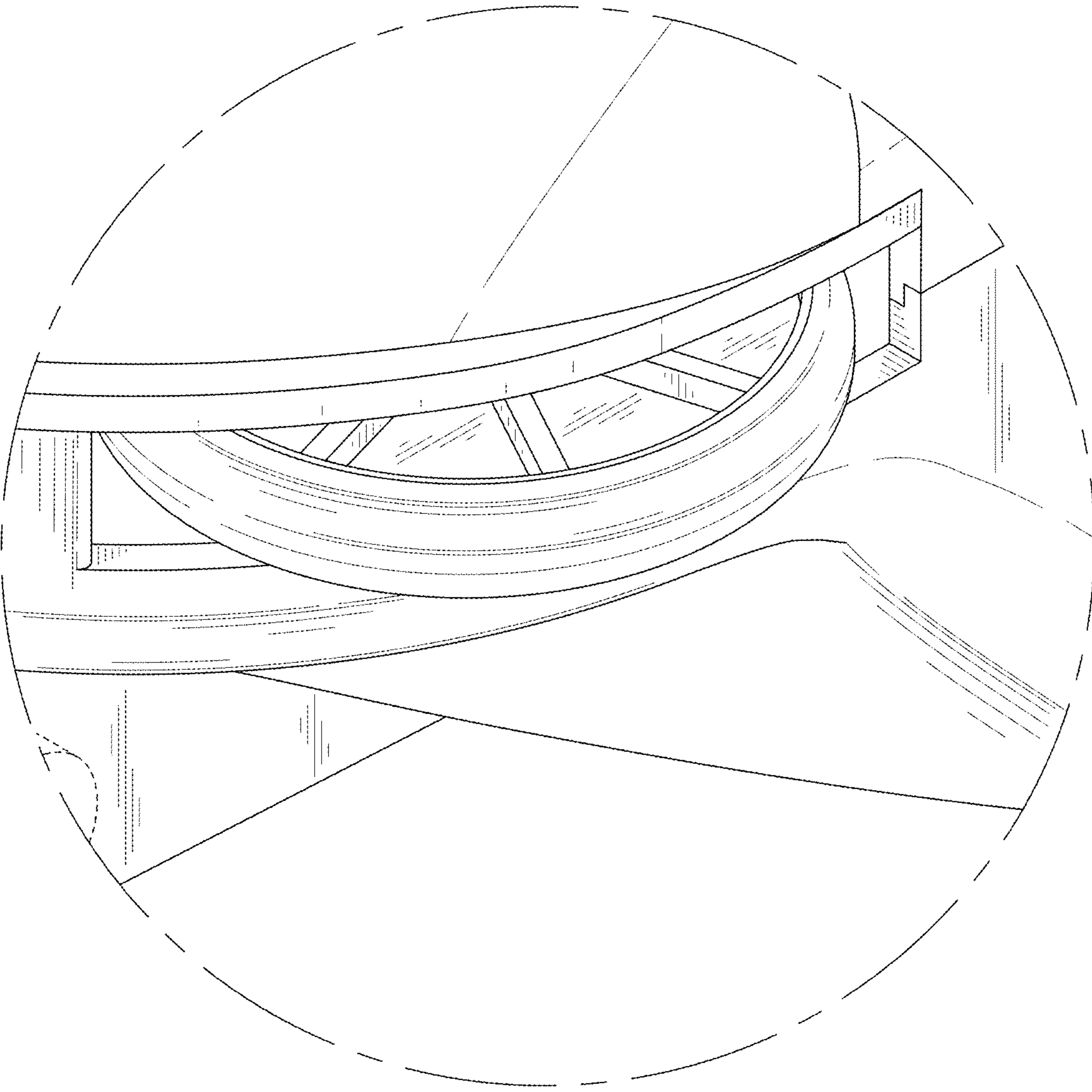


FIG. 9

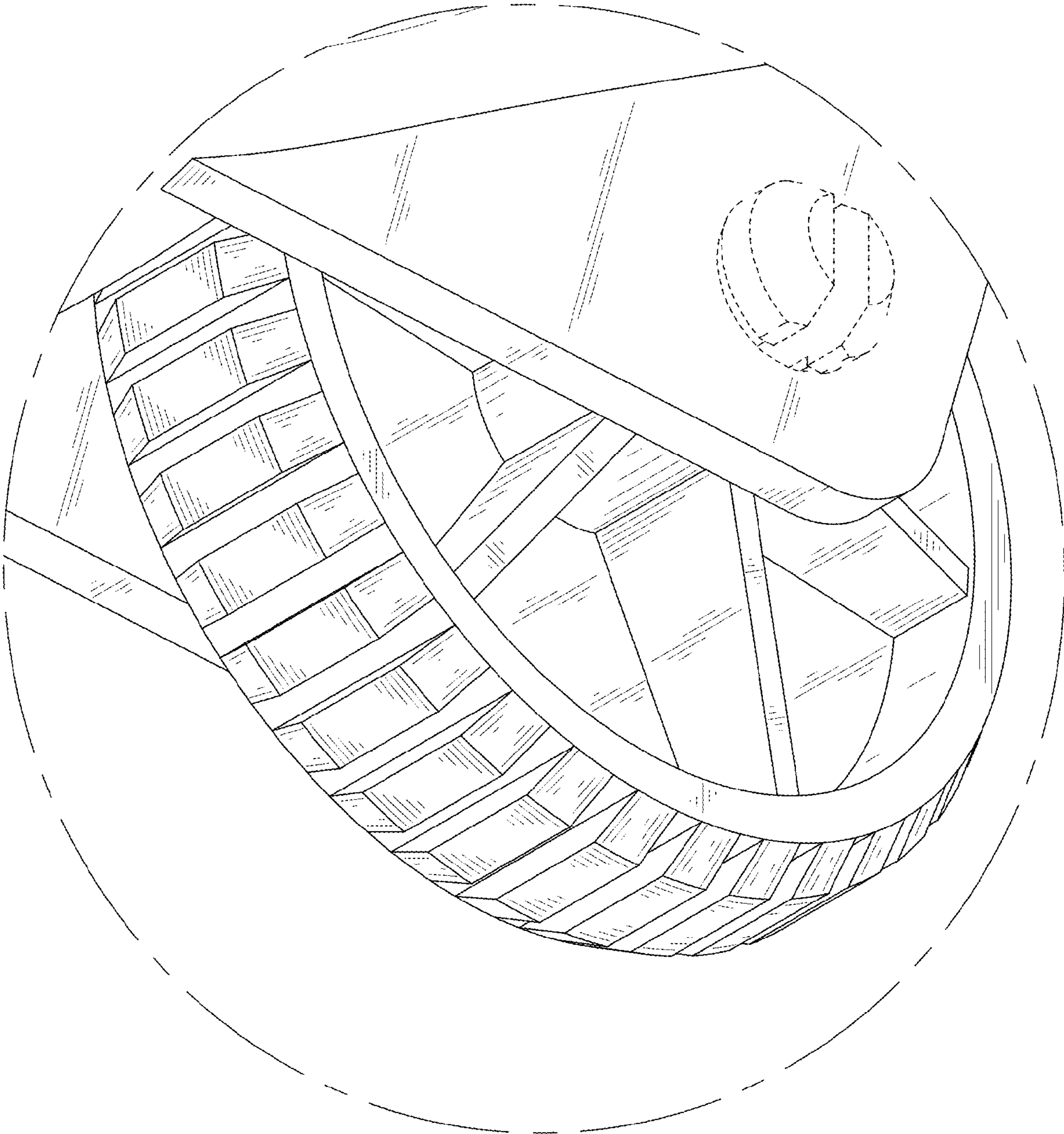


FIG. 10