

US00D969427S

(12) **United States Design Patent**
Zhang

(10) **Patent No.:** **US D969,427 S**
(45) **Date of Patent:** **** Nov. 8, 2022**

(54) **HANDHELD VACUUM CLEANER WITH CHARGING STAND**

D956,375 S * 6/2022 Jiang D32/18
D957,076 S * 7/2022 Jiang D32/18
D959,074 S * 7/2022 Repac D32/18

(71) Applicant: **Suzhou E-rising Electrical Technology Co., Ltd.**, Jiangsu (CN)

(72) Inventor: **Tao Zhang**, Jiangsu (CN)

(73) Assignee: **Suzhou E-rising Electrical Technology Co., Ltd.**, Jiangsu (CN)

(**) Term: **15 Years**

(21) Appl. No.: **29/804,729**

(22) Filed: **Aug. 23, 2021**

(51) **LOC (13) Cl.** **15-05**

(52) **U.S. Cl.**
USPC **D32/18**

(58) **Field of Classification Search**
USPC D32/15–24, 31–34
CPC . A47L 5/24; A47L 5/26; A47L 9/0009; A47L 9/0027; A47L 9/0063; A47L 9/2868; A47L 9/2873

See application file for complete search history.

(56) **References Cited**

U.S. PATENT DOCUMENTS

D445,975 S * 7/2001 Stratford D32/31
D640,194 S * 6/2011 Kim D32/31
D891,014 S * 7/2020 Chu D32/18
D908,990 S 1/2021 Chen
D923,888 S 6/2021 Liu
D937,510 S * 11/2021 Xu D32/18
D944,194 S * 2/2022 Palladino D13/108
D945,095 S * 3/2022 Dimbylow D32/22
D945,096 S * 3/2022 Dimbylow D32/22

OTHER PUBLICATIONS

Review—A bargain handheld vacuum cleaner (on-line), dated Aug. 6, 2022. Retrieved from Internet Aug. 10, 2022, URL: <https://www.nottinghampost.com/whats-on/reviews/kleeneze-kl01096c-cordless-hand-vac-7415603> (3 pages) (Year: 2022).*

* cited by examiner

Primary Examiner — Kimberly Barnes

(74) *Attorney, Agent, or Firm* — ScienBiziP, P.C.

(57) **CLAIM**

The ornamental design for handheld vacuum cleaner with charging stand, as shown and described.

DESCRIPTION

FIG. 1 is a front, right, and top perspective view of a handheld vacuum cleaner with charging stand, showing my design.

FIG. 2 is a rear, left, and bottom perspective view thereof.

FIG. 3 is a right side elevation view thereof.

FIG. 4 is a left side elevation view thereof.

FIG. 5 is a front elevation view thereof.

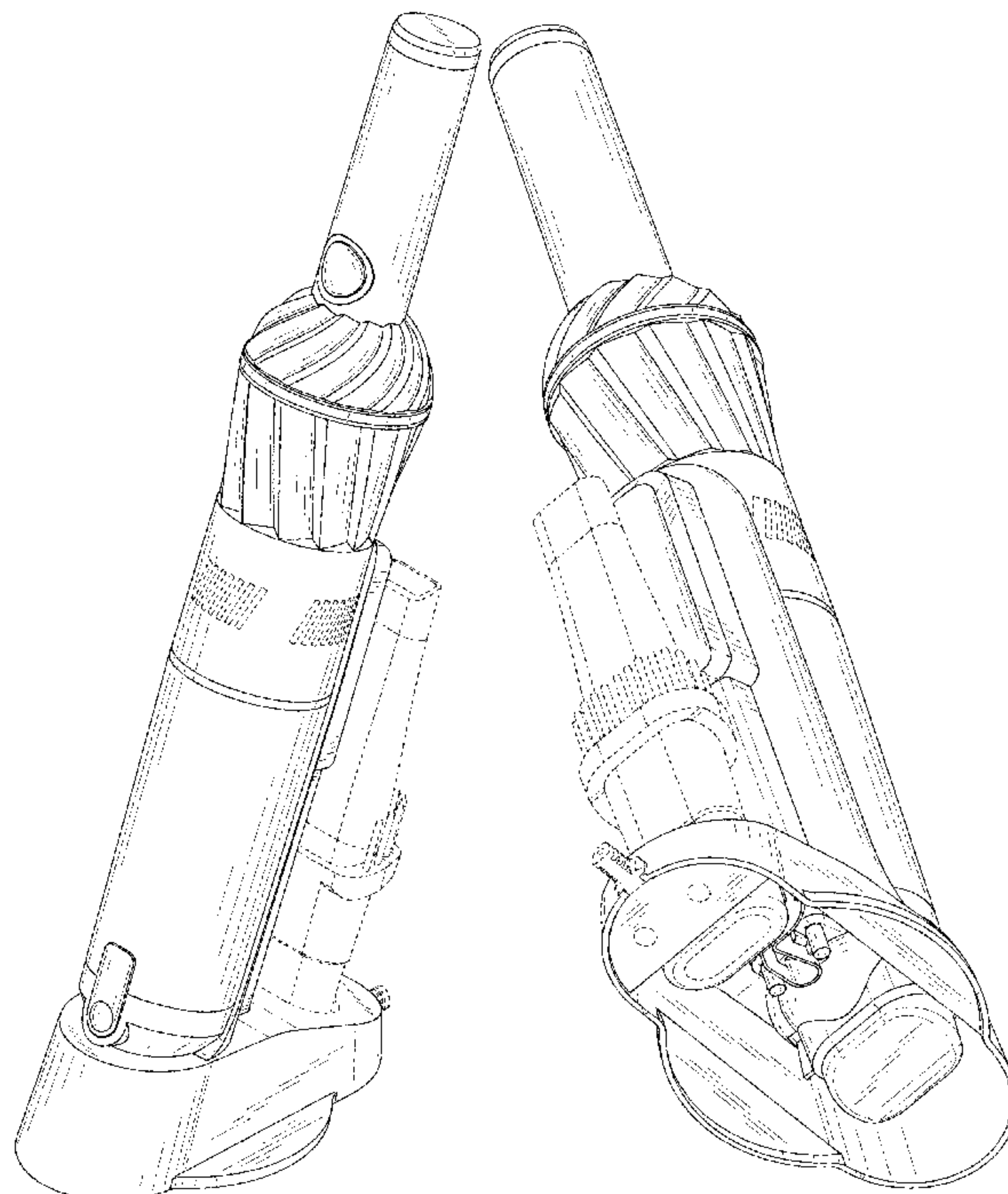
FIG. 6 is a rear elevation view thereof

FIG. 7 is a top plan view thereof; and,

FIG. 8 is a bottom plan view thereof.

The broken lines shown in the drawings are included for the purpose of illustrating portions of the handheld vacuum cleaner with charging stand that form no part of the claimed design.

1 Claim, 8 Drawing Sheets



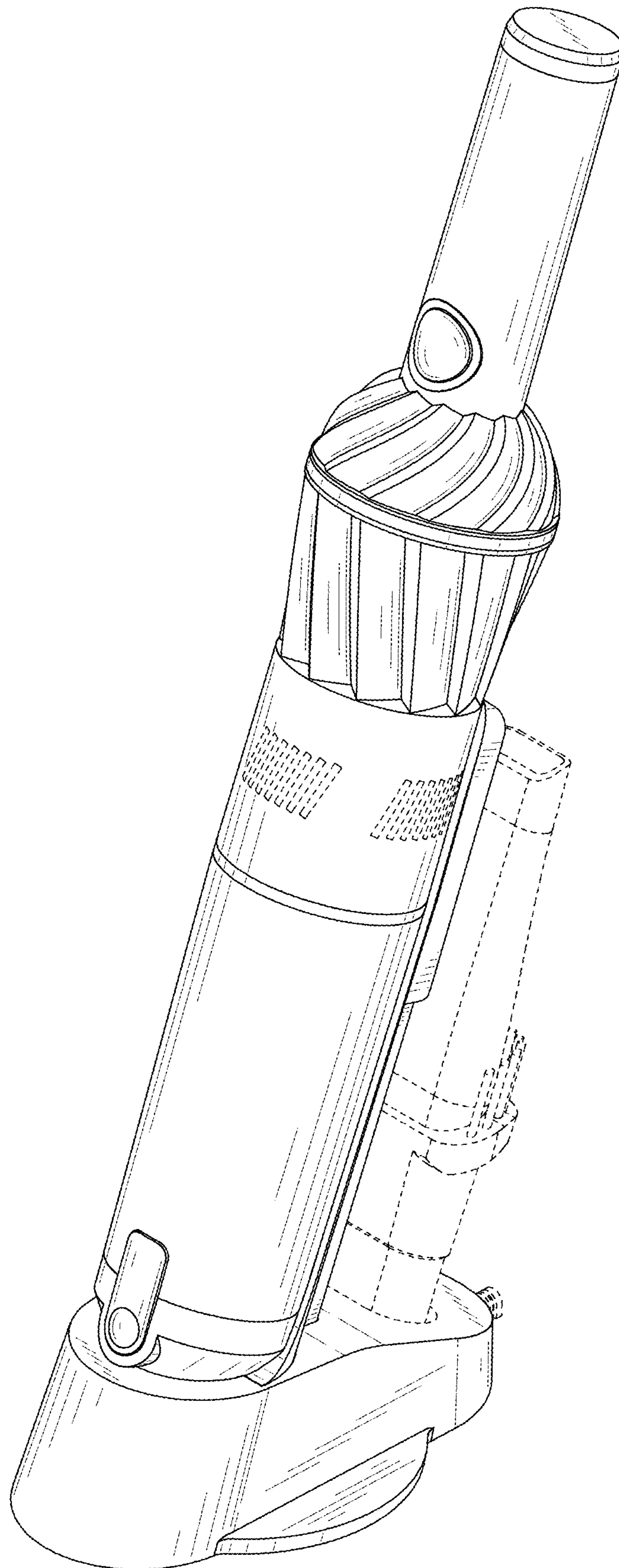


FIG. 1

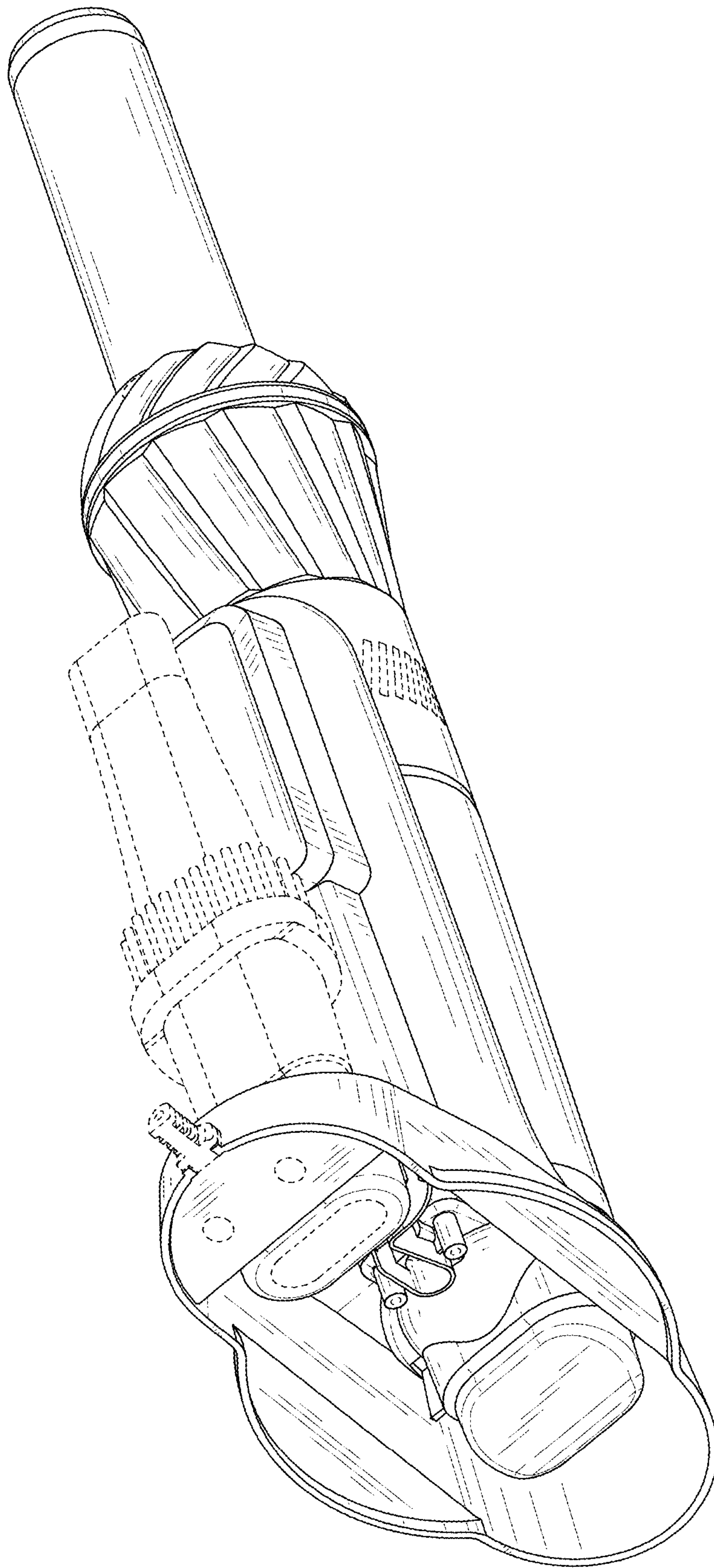


FIG. 2

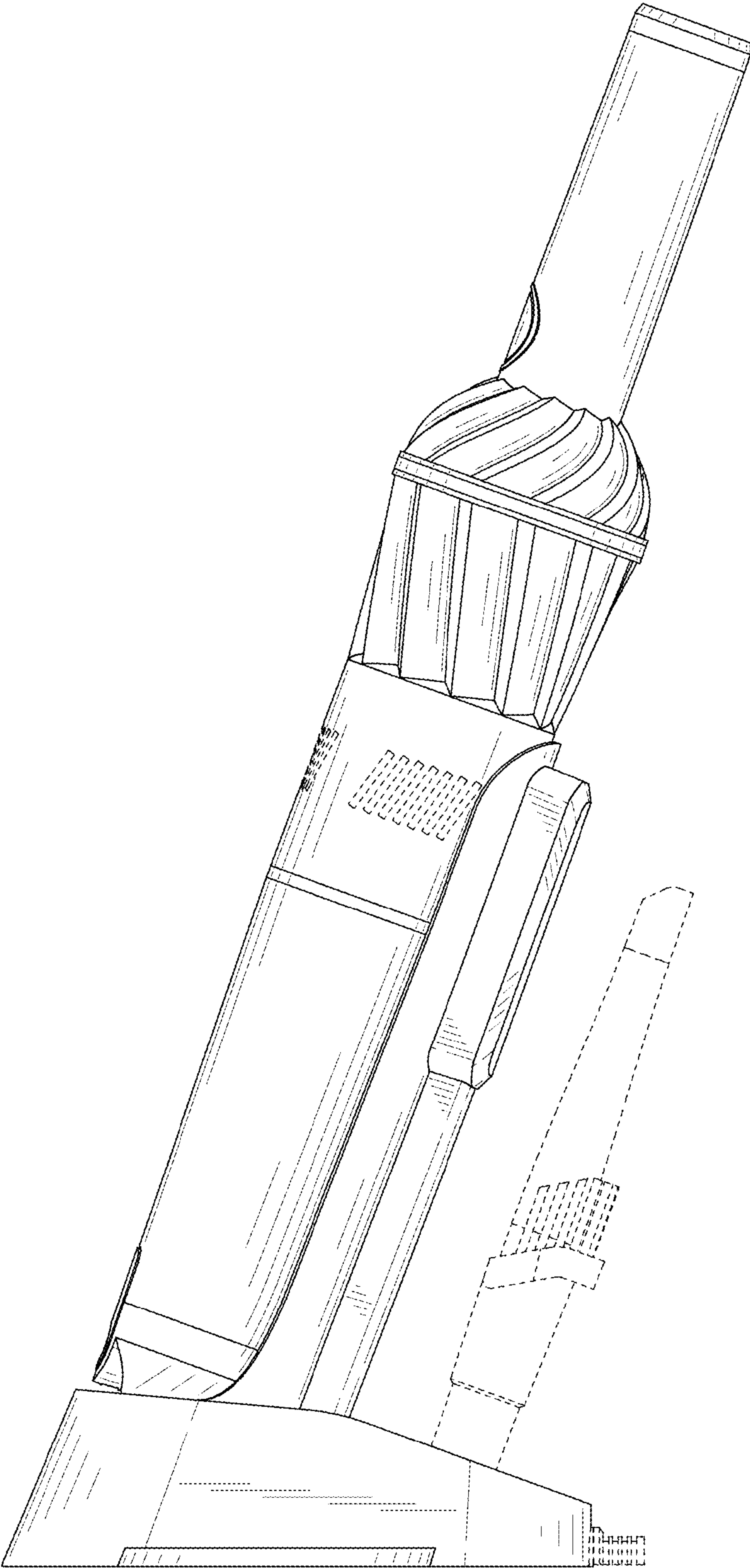


FIG. 3

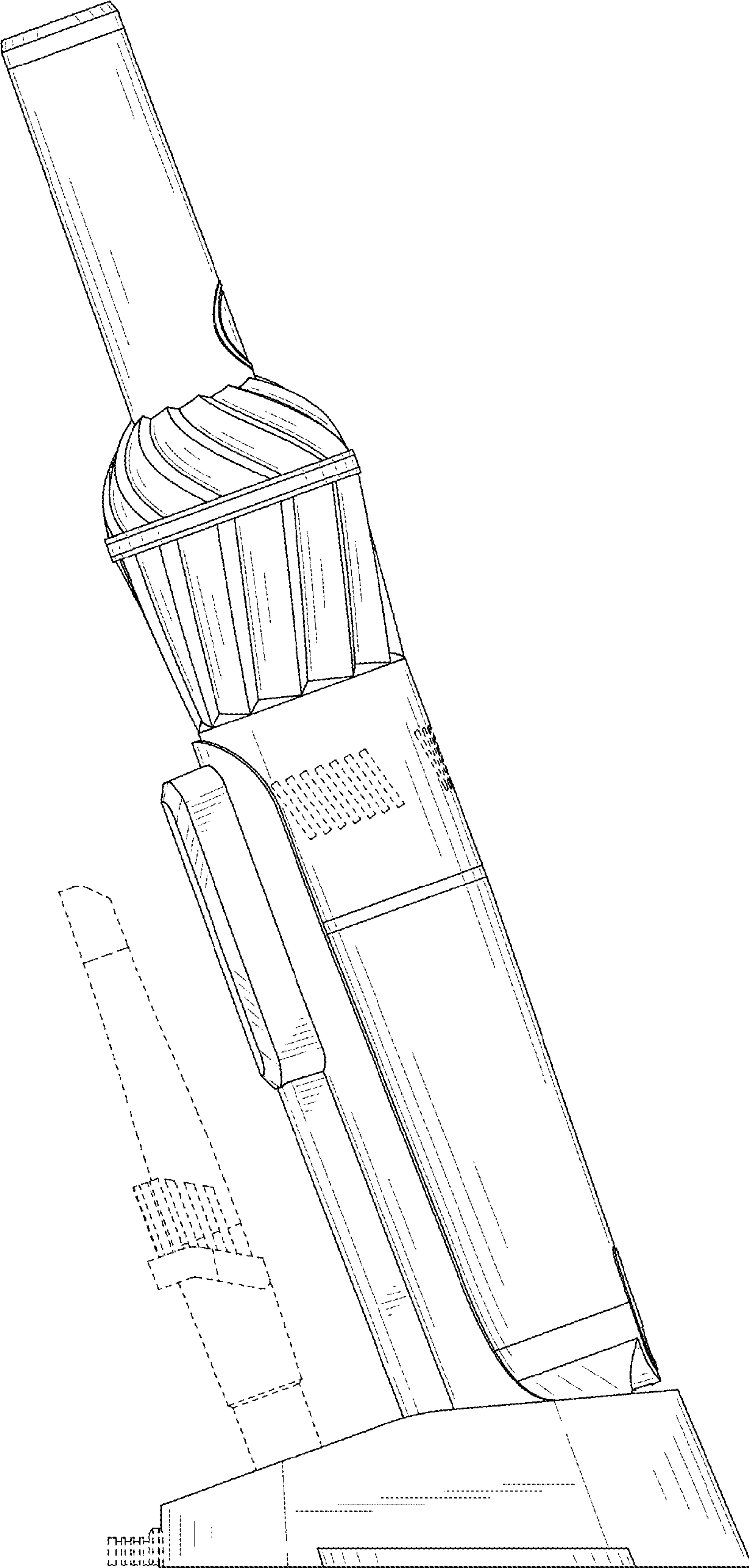


FIG. 4

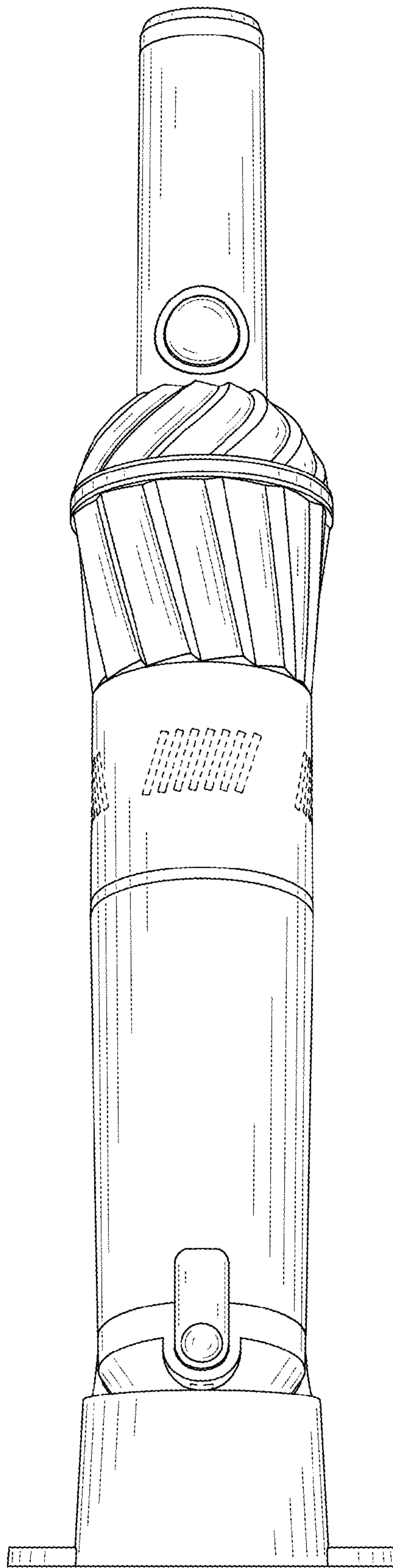


FIG. 5

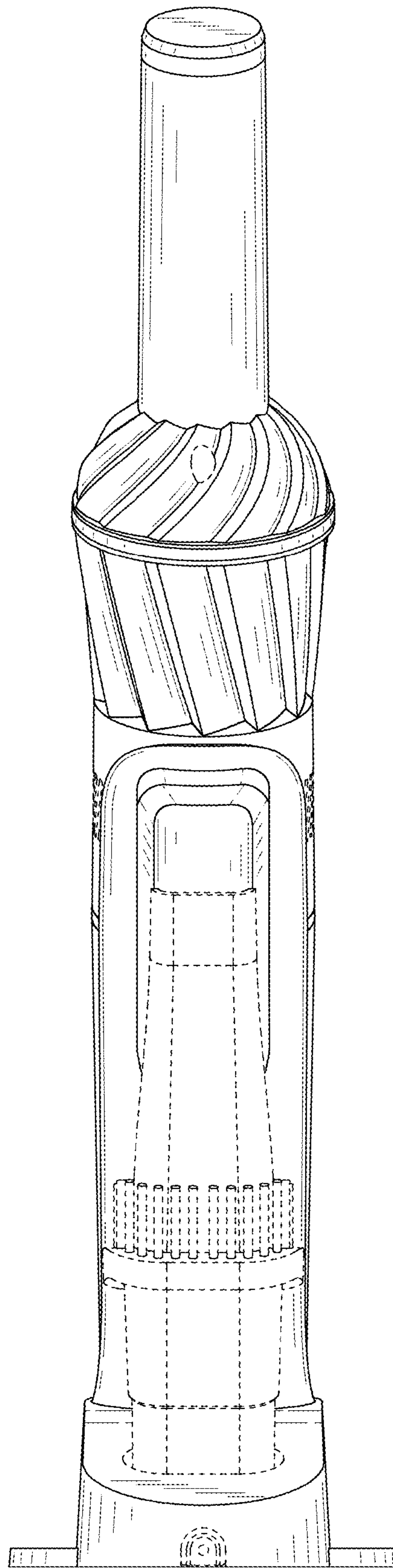


FIG. 6

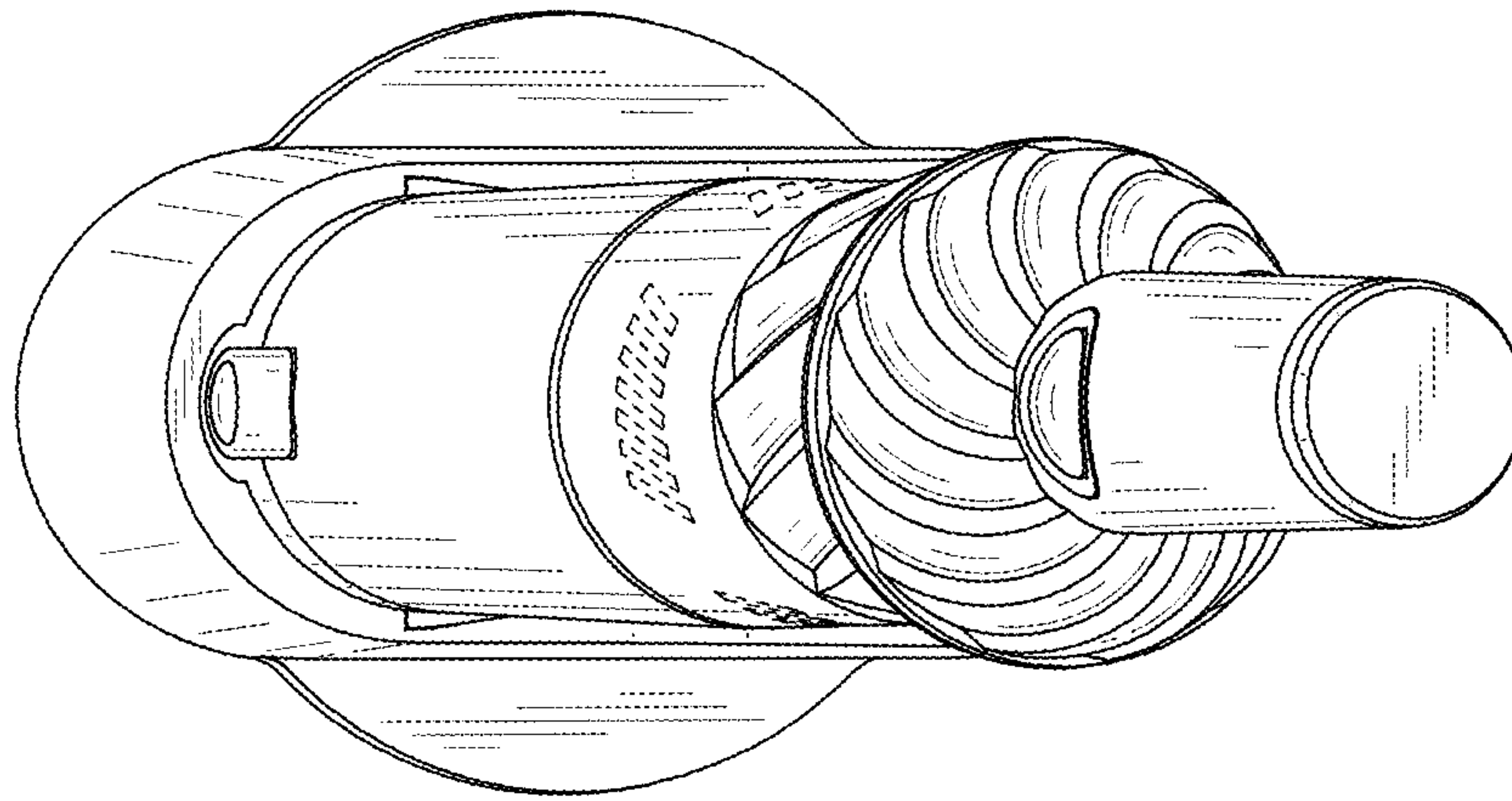


FIG. 7

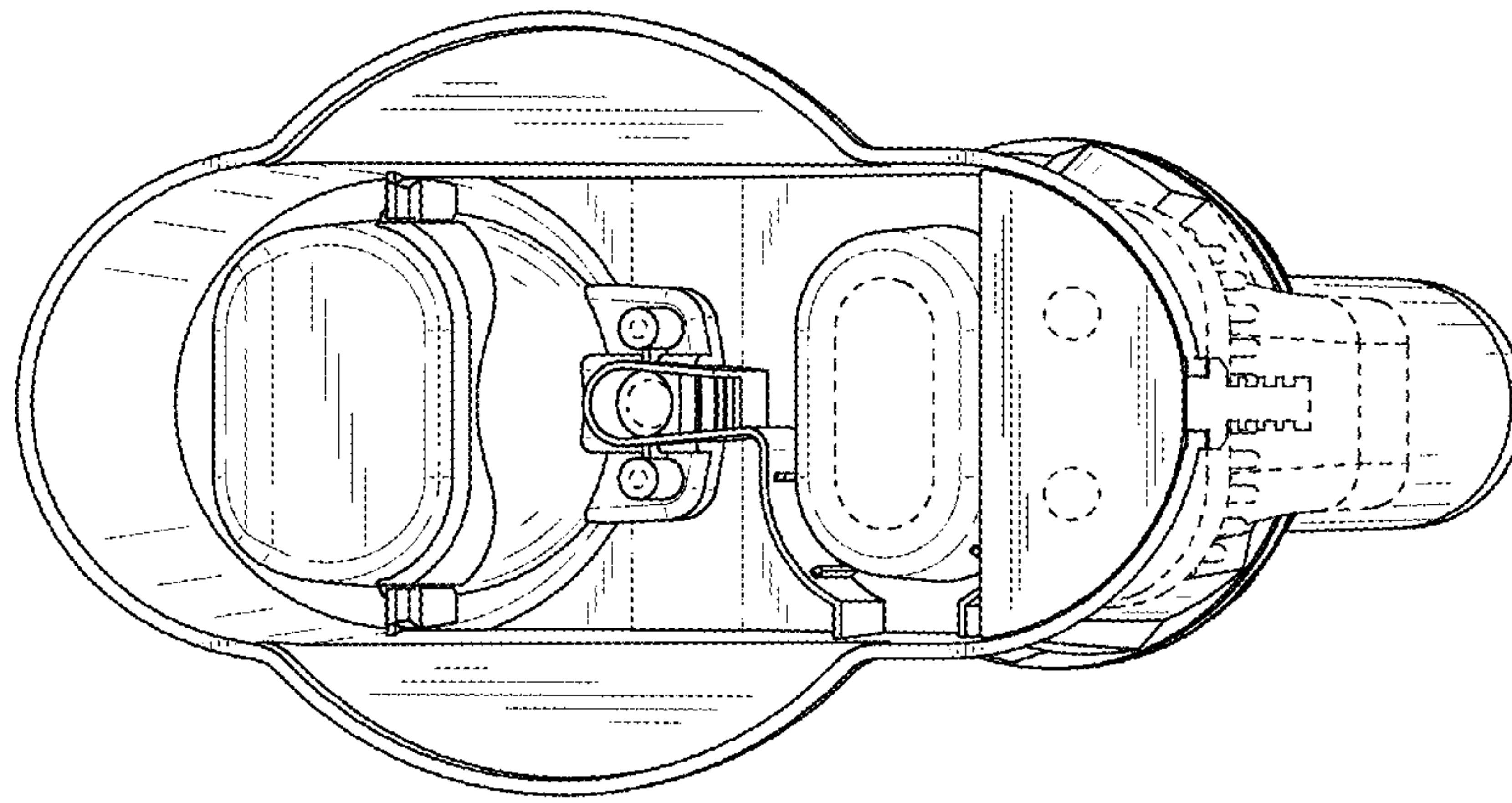


FIG. 8