



US00D969426S

(12) **United States Design Patent**
Xiong

(10) **Patent No.:** **US D969,426 S**
(45) **Date of Patent:** **** Nov. 8, 2022**

(54) **HANDHELD STEAM CLEANER**

FOREIGN PATENT DOCUMENTS

(71) Applicant: **Jun Xiong**, Hengyang (CN)

CN 307511785 * 8/2022
JP 2000202382 A * 7/2000 D06F 43/00

(72) Inventor: **Jun Xiong**, Hengyang (CN)

(**) Term: **15 Years**

OTHER PUBLICATIONS

(21) Appl. No.: **29/844,344**

Amazon.com—Vilucks Handheld Steam Cleaner(May 19, 2022)
https://www.amazon.com/Handheld-Cleaning-Upholstery-Pressurized-Furniture/dp/B09STT3S4B/ref=sr_1_24?keywords=handheld%2Bsteam%2Bcleaner&qid=1663252004&s=home-garden&sr=1-24&th=1 (Year: 2022).*

(22) Filed: **Jun. 28, 2022**

Inventor's, Jun Xiong, publication on Amazon dated May 19, 2022. Please refer to <https://www.amazon.com/dp/B09STT3S4B/>, Declaration, Sales Authorization Certificate, Business License and its translation in English, and Proof of Identity of Legal Representative.

(51) **LOC (13) Cl.** **15-05**

(52) **U.S. Cl.**
USPC **D32/17**

(58) **Field of Classification Search**
USPC D23/223; D32/17
CPC D06F 73/00; D06F 75/10; D06F 75/12;
D06F 75/30; D06F 87/00
See application file for complete search history.

* cited by examiner

(56) **References Cited**

Primary Examiner — Kevin K Rudzinski
Assistant Examiner — Richard E Yenchesky
(74) *Attorney, Agent, or Firm* — ScienBiziP, P.C.

U.S. PATENT DOCUMENTS

(57) **CLAIM**

- 3,646,317 A * 2/1972 Osrow D06F 87/00
392/404
- 6,275,653 B1 * 8/2001 Montipo' F22B 1/288
392/494
- D489,792 S * 5/2004 Chen D23/223
- D525,399 S * 7/2006 Alday Lesaga D32/17
- D542,488 S * 5/2007 Lee
- D592,366 S * 5/2009 Mangano D32/17
- D623,363 S * 9/2010 Ediger D32/17
- D648,908 S * 11/2011 Ediger D32/17
- D702,406 S * 4/2014 Mu D32/17
- D708,801 S * 7/2014 Israel D32/17
- D716,007 S * 10/2014 Mangano D32/17
- D771,331 S * 11/2016 Chaklos D32/17
- D869,107 S * 12/2019 Israel D32/17
- D892,419 S * 8/2020 He D32/17
- 2005/0125934 A1 * 6/2005 Reese F16L 37/40
392/404
- 2010/0146826 A1 * 6/2010 Lee D06F 75/16
38/77.83
- 2010/0269287 A1 * 10/2010 Vrdoljak A61L 2/07
15/322

The ornamental design for a handheld steam cleaner, as shown and described.

DESCRIPTION

FIG. 1 is a front, right and top perspective view of a handheld steam cleaner, showing my design.
FIG. 2 is a rear, left and bottom perspective view thereof.
FIG. 3 is a front elevation view thereof.
FIG. 4 is a rear elevation view thereof.
FIG. 5 is a left side elevation view thereof.
FIG. 6 is a right side elevation view thereof.
FIG. 7 is a top plan view thereof; and,
FIG. 8 is a bottom plan view thereof.
The broken lines shown in the drawings are included for the purpose of illustrating portions of the handheld steam cleaner that form no part of the claimed design.

1 Claim, 8 Drawing Sheets





FIG. 1

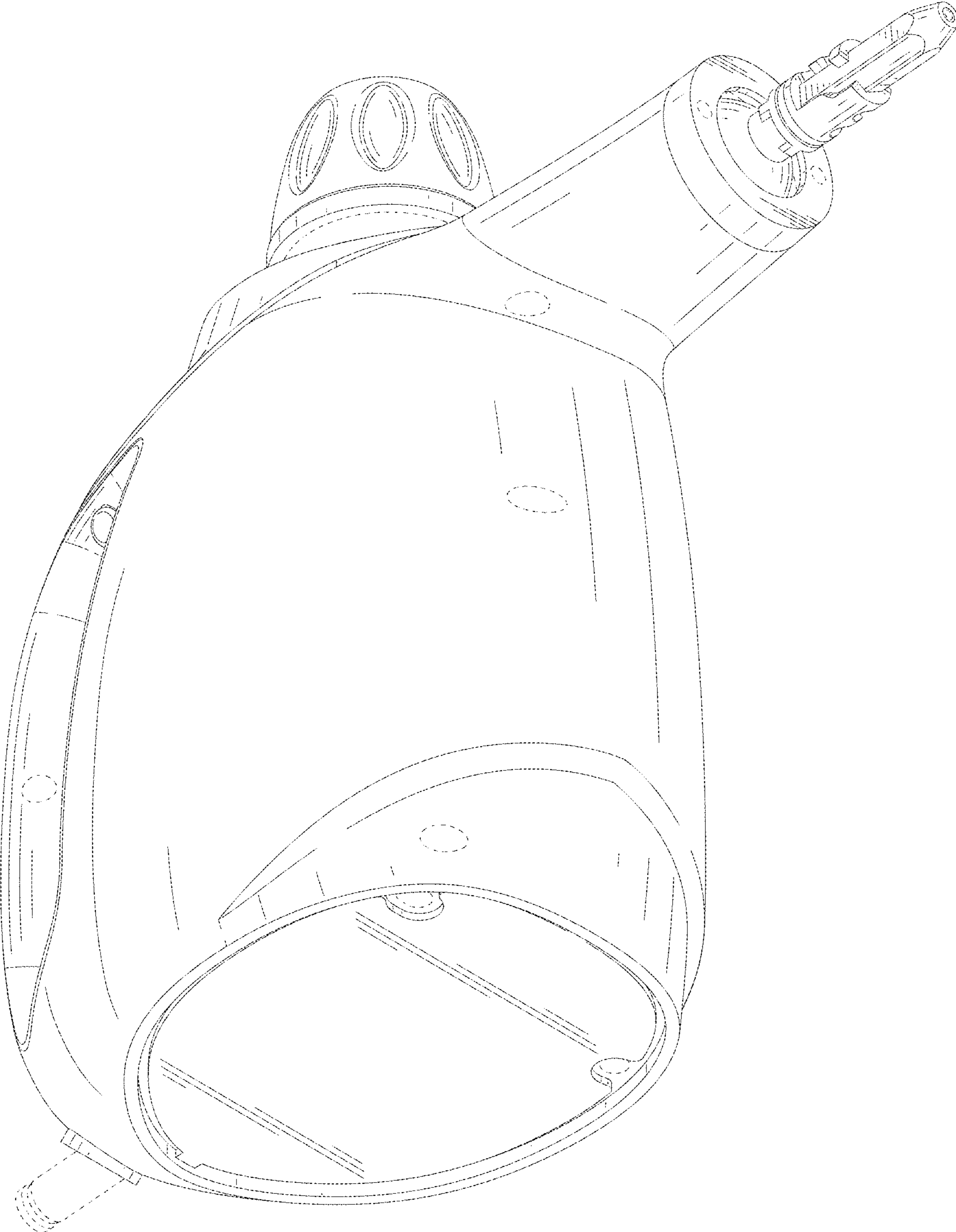


FIG. 2

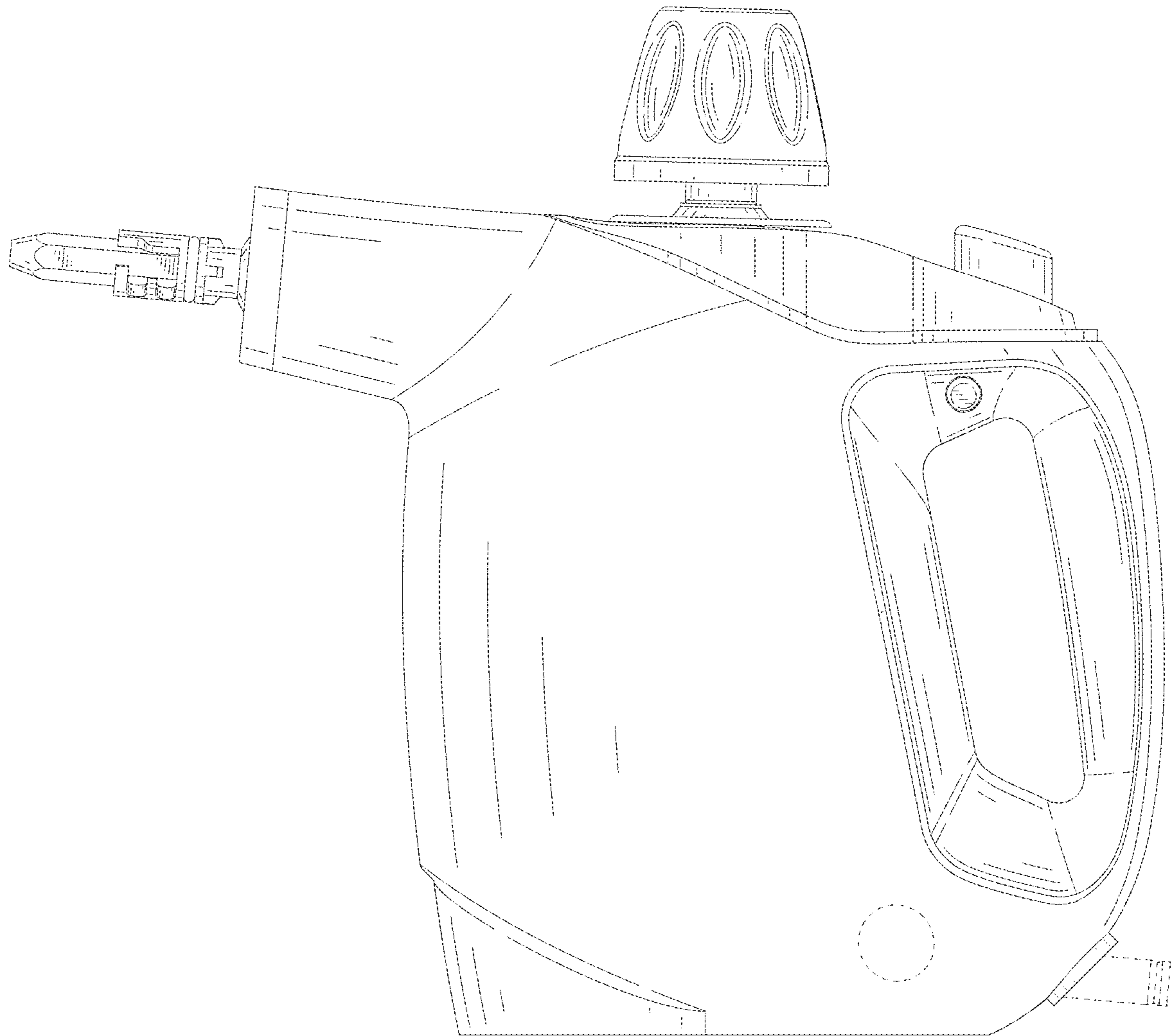


FIG. 3

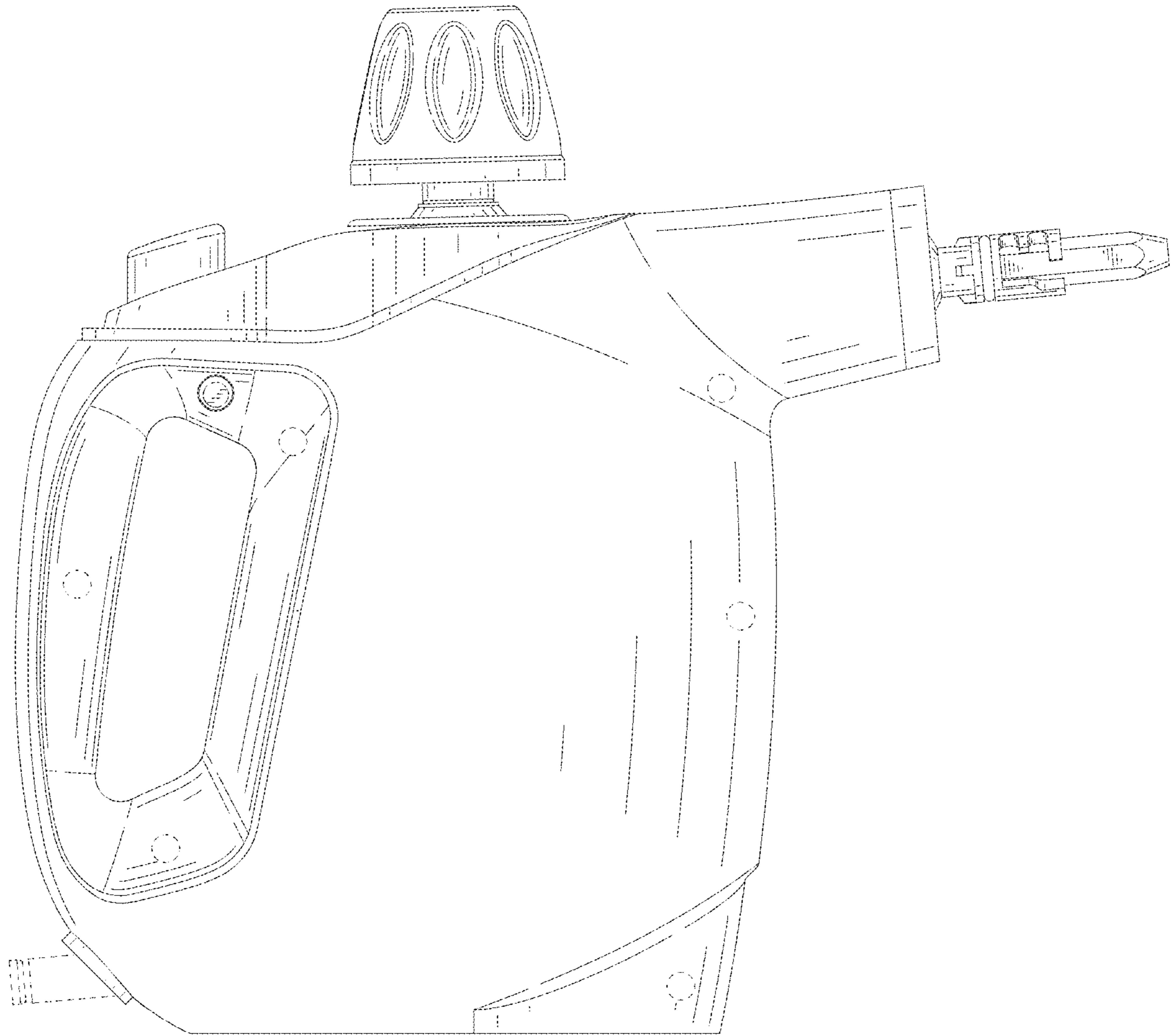


FIG. 4

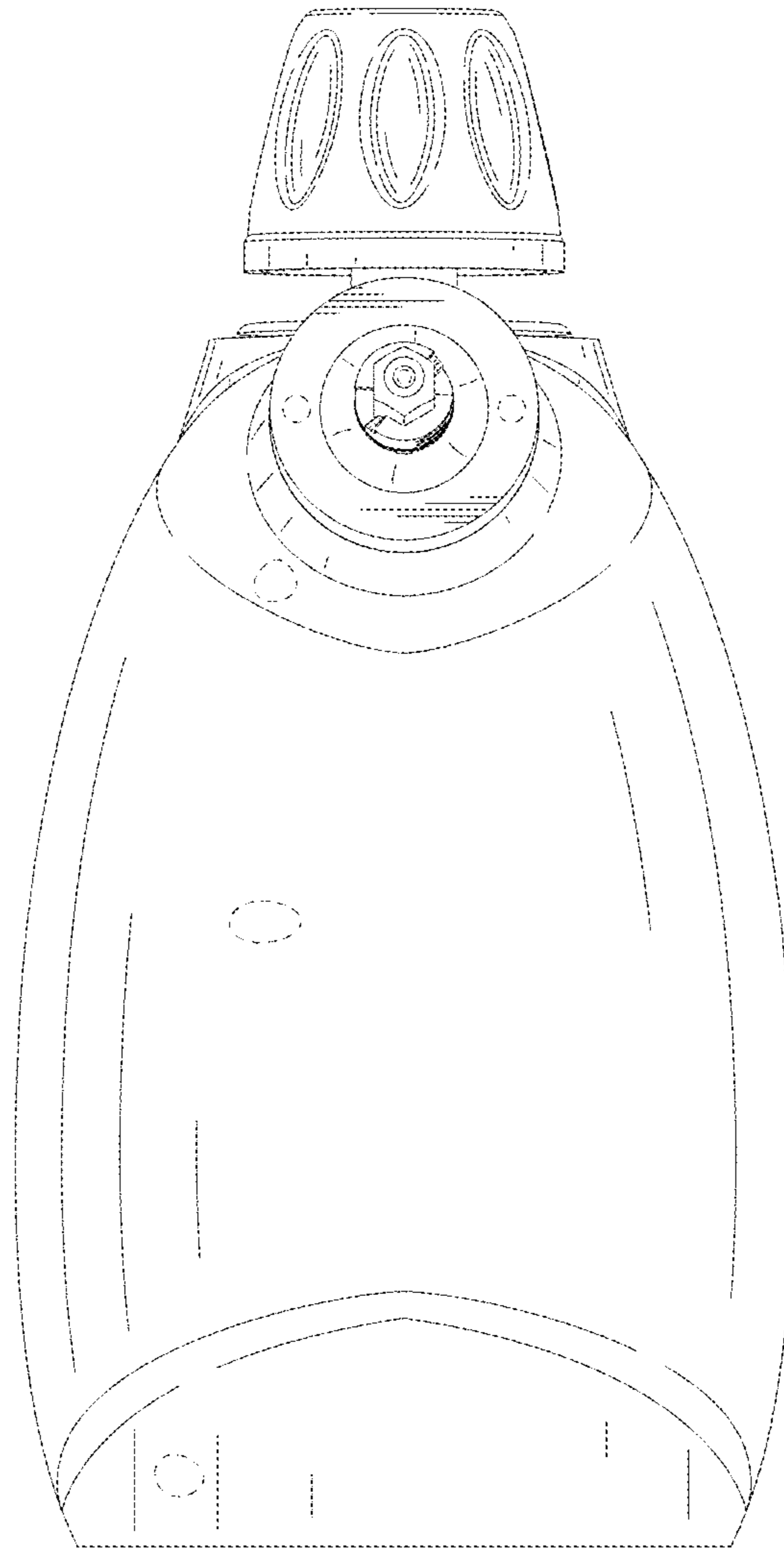


FIG. 5

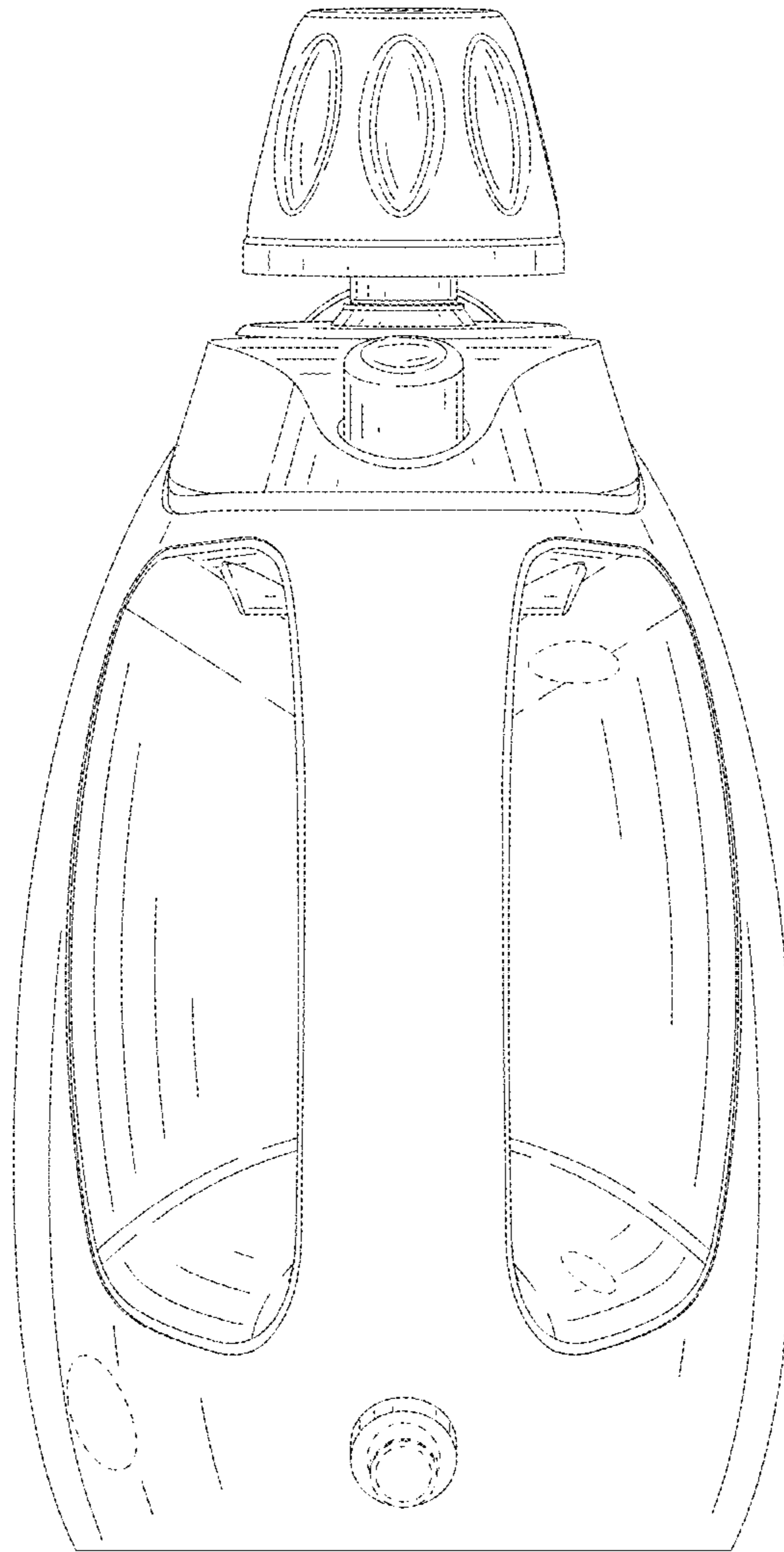


FIG. 6

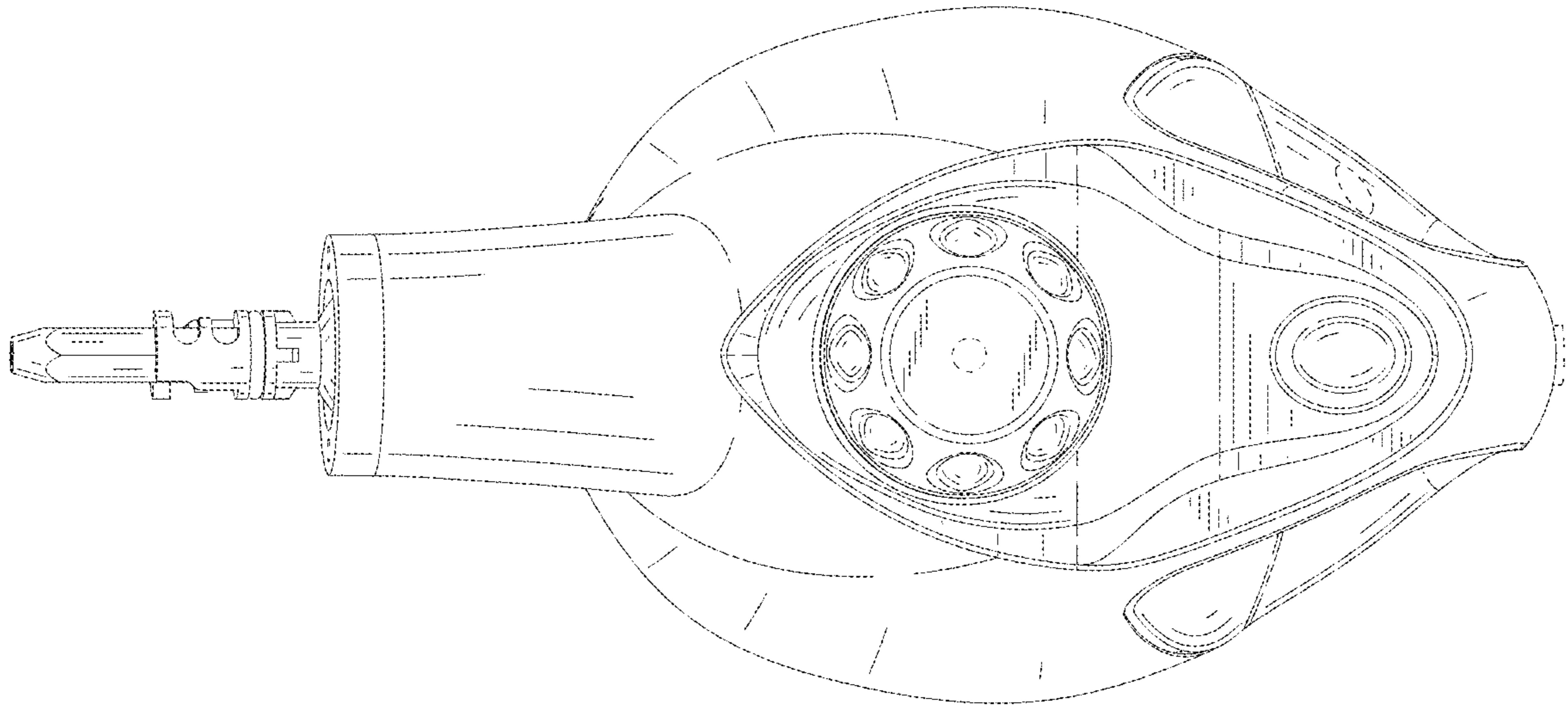


FIG. 7

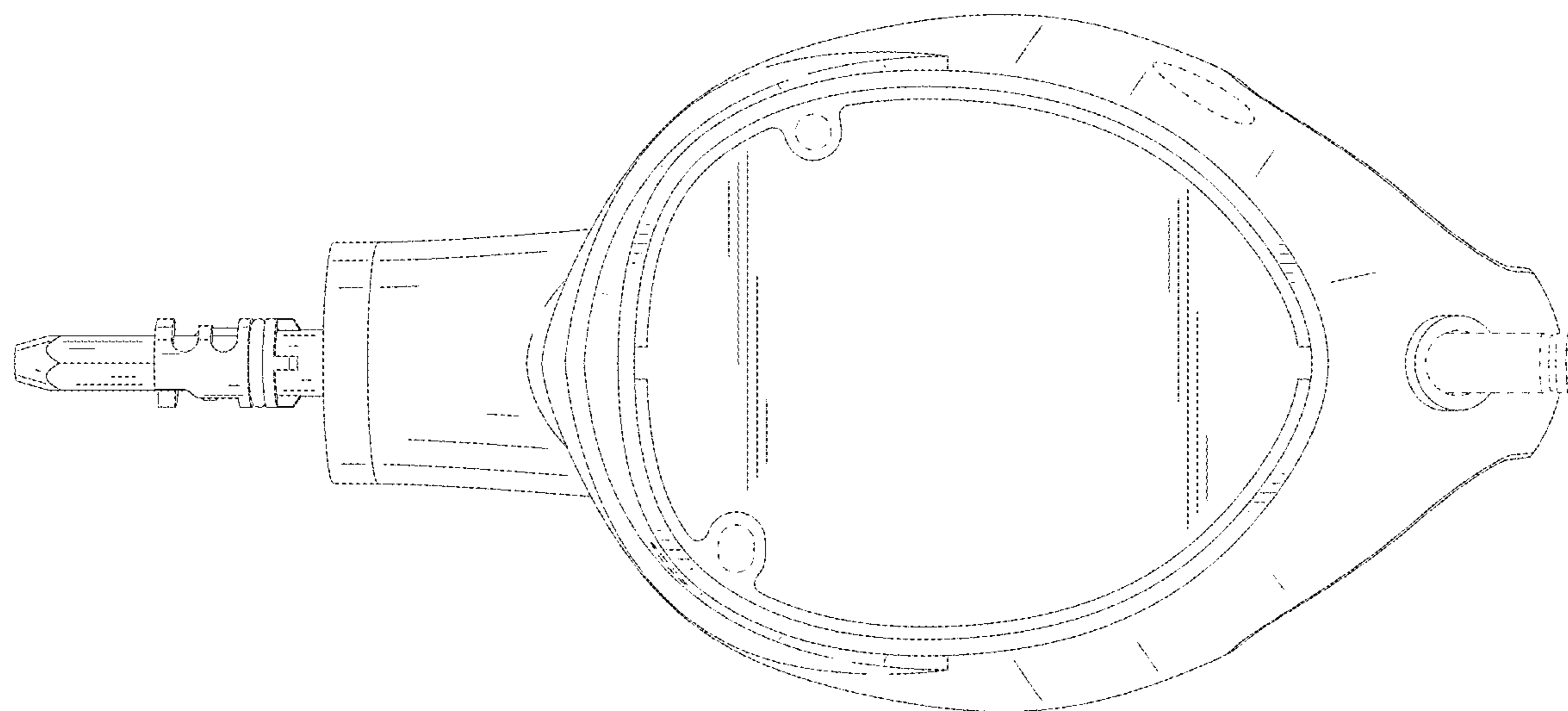


FIG. 8