

US00D969424S

(12) **United States Design Patent** (10) **Patent No.:** **US D969,424 S**
Miao (45) **Date of Patent:** **** Nov. 8, 2022**

(54) **PET SHOCK TRAINING MAT**

(71) Applicant: **Zhishu Electronic Commerce (Foshan) Co., Ltd**, Foshan (CN)

(72) Inventor: **Bin Miao**, Guangzhou (CN)

(**) Term: **15 Years**

(21) Appl. No.: **29/794,494**

(22) Filed: **Jun. 13, 2021**

(51) **LOC (13) Cl.** **30-99**

(52) **U.S. Cl.**

USPC **D30/199**; D30/119

(58) **Field of Classification Search**

USPC D30/118-120, 199, 161, 129, 128, 160, D30/133; 119/712, 908, 329, 335, 341, 119/342, 347, 28.5, 525-530, 61.54, 51.5, 119/61.5, 61.1, 171, 169, 471; 15/215, 15/238; 156/72, 148; 472/90; 404/35; 428/15, 74-89, 92, 95-97, 156; 473/278; 264/227, 243; D12/203; 601/28; 5/944; 606/204; 446/120, 124, 487, 118, 108, 446/96; D7/702, 505, 548, 549, 550.1, D7/554.3, 555; 220/571, 630, 632, 23.8, 220/DIG. 21; 108/25; 340/573.3, 541
CPC A01K 15/021; A01K 15/029; A01K 1/035; A01K 1/0353; A01K 1/0152-0157; A01K 1/01; A01K 1/0103; A01K 1/0107; A01K 1/015; A01K 5/0114; A01K 5/0135; A47L

(Continued)

(56) **References Cited**

U.S. PATENT DOCUMENTS

3,197,916 A * 8/1965 Cole, Jr. A01M 23/38 43/66
3,392,247 A * 7/1968 Check G08G 1/02 200/86 R

(Continued)

OTHER PUBLICATIONS

Dog Care Store, Pet Shock Mat, 30x16 Inches Pet Training Mat for Dogs and Cats, 3 Training Mode Shock Mat for Cats Dogs, Indoor Use Pet Training Pad with LED Indicator, Flexible Mat, Long Battery Life, Amazon URL: <https://www.amazon.com/Pet-Shock-Mat-Training-Indicator/dp/B07CTNRPD9>. Jul. 24, 2018.

Primary Examiner — Susan Moon Lee

(74) *Attorney, Agent, or Firm* — Xiaofang Zhong; Law Office of Xiaofang Zhong, PLLC

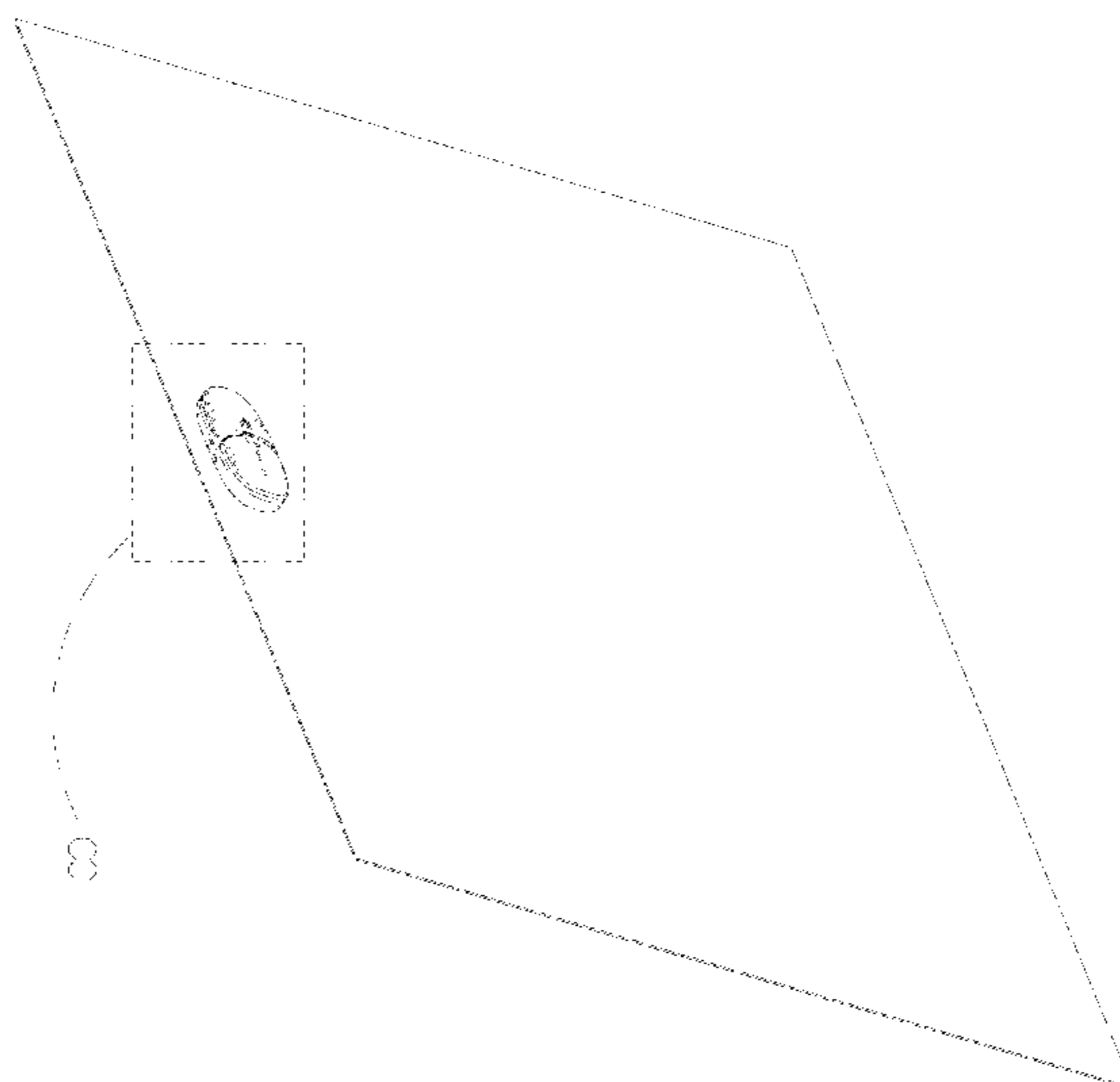
(57) **CLAIM**

The ornamental design for a pet shock training mat, as shown and described.

DESCRIPTION

FIG. 1 is a perspective view of a pet shock training mat showing my new design;
FIG. 2 is a right side view of the pet shock training mat thereof;
FIG. 3 is a left side view thereof;
FIG. 4 is a front elevational view thereof;
FIG. 5 is a back elevational view thereof;
FIG. 6 is a top plan view thereof;
FIG. 7 is a bottom plan view thereof;
FIG. 8 is an enlarged perspective view of a controller in portion 8 of FIG. 1 thereof;
FIG. 9 is an enlarged right side view of the controller in portion 8 of FIG. 1 thereof;
FIG. 10 is an enlarged left side view of the controller in portion 8 of FIG. 1 thereof;
FIG. 11 is an enlarged front elevational view of the controller in portion 8 of FIG. 1 thereof;
FIG. 12 is an enlarged back elevational view of the controller in portion 8 of FIG. 1 thereof; and,
FIG. 13 is an enlarged top plan view of the controller in portion 8 of FIG. 1 thereof.
The broken lines illustrate unclaimed features of the pet shock training mat as well as spotlighted magnified view areas and form no part of the design claim.

1 Claim, 13 Drawing Sheets



US D969,424 S

Page 2

(58) **Field of Classification Search**

CPC 23/266; A47L 23/26; A47C 31/11; A47C
31/113; A47C 31/116; A01M 31/002;
A01M 29/22; A01M 29/24; A01M 29/00;
Y10S 119/908; H05C 1/00; H05C 1/04;
H05C 1/06

See application file for complete search history.

(56) **References Cited**

U.S. PATENT DOCUMENTS

4,949,216 A * 8/1990 Djukastein H05C 1/04
361/232
4,969,418 A * 11/1990 Jones A01K 3/002
119/908
5,049,704 A * 9/1991 Matouschek G08B 13/1463
109/42
5,103,769 A 4/1992 Macintosh
5,107,620 A * 4/1992 Mahan A01M 1/223
43/112
D343,260 S 1/1994 Kovatch
D417,043 S 11/1999 Byrne
6,993,867 B2 * 2/2006 Toyota A01M 29/26
43/99
7,021,244 B2 4/2006 Boyd
7,191,735 B2 * 3/2007 Wolfgram A01K 3/005
119/908
7,834,769 B2 * 11/2010 Hinkle A01M 31/002
119/908
D669,715 S 10/2012 Silagy

10,034,457 B2 * 7/2018 Swartz A01K 15/021
D838,923 S * 1/2019 Ni D10/104.1
10,334,841 B2 * 7/2019 Carstensen A01M 29/24
10,398,138 B2 * 9/2019 Lampman A01K 3/002
D881,488 S 4/2020 Allen
D912,913 S 3/2021 Wendling
D927,800 S * 8/2021 Bin D30/119
2002/0092481 A1 * 7/2002 Spooner A01K 3/005
119/712
2004/0216694 A1 * 11/2004 Boyd A01K 15/021
119/721
2005/0120977 A1 * 6/2005 Boyd A01K 15/021
119/719
2005/0231885 A1 * 10/2005 Wolfgram A01K 3/005
361/232
2007/0125312 A1 * 6/2007 Boyd A01K 15/023
119/721
2009/0199785 A1 8/2009 Downs
2009/0309738 A1 * 12/2009 Hinkle A01M 29/24
340/573.3
2011/0221605 A1 * 9/2011 Niemann A01K 15/021
340/666
2013/0220235 A1 * 8/2013 Wisdom A01K 1/035
119/719
2013/0220236 A1 * 8/2013 Wisdom A01K 1/035
119/719
2017/0196195 A1 * 7/2017 Wisdom A01K 29/00
2017/0238506 A1 * 8/2017 Swartz G08B 21/18
2020/0141600 A1 * 5/2020 Connell F24F 11/30
2021/0368777 A1 * 12/2021 Barlow A01M 29/24

* cited by examiner

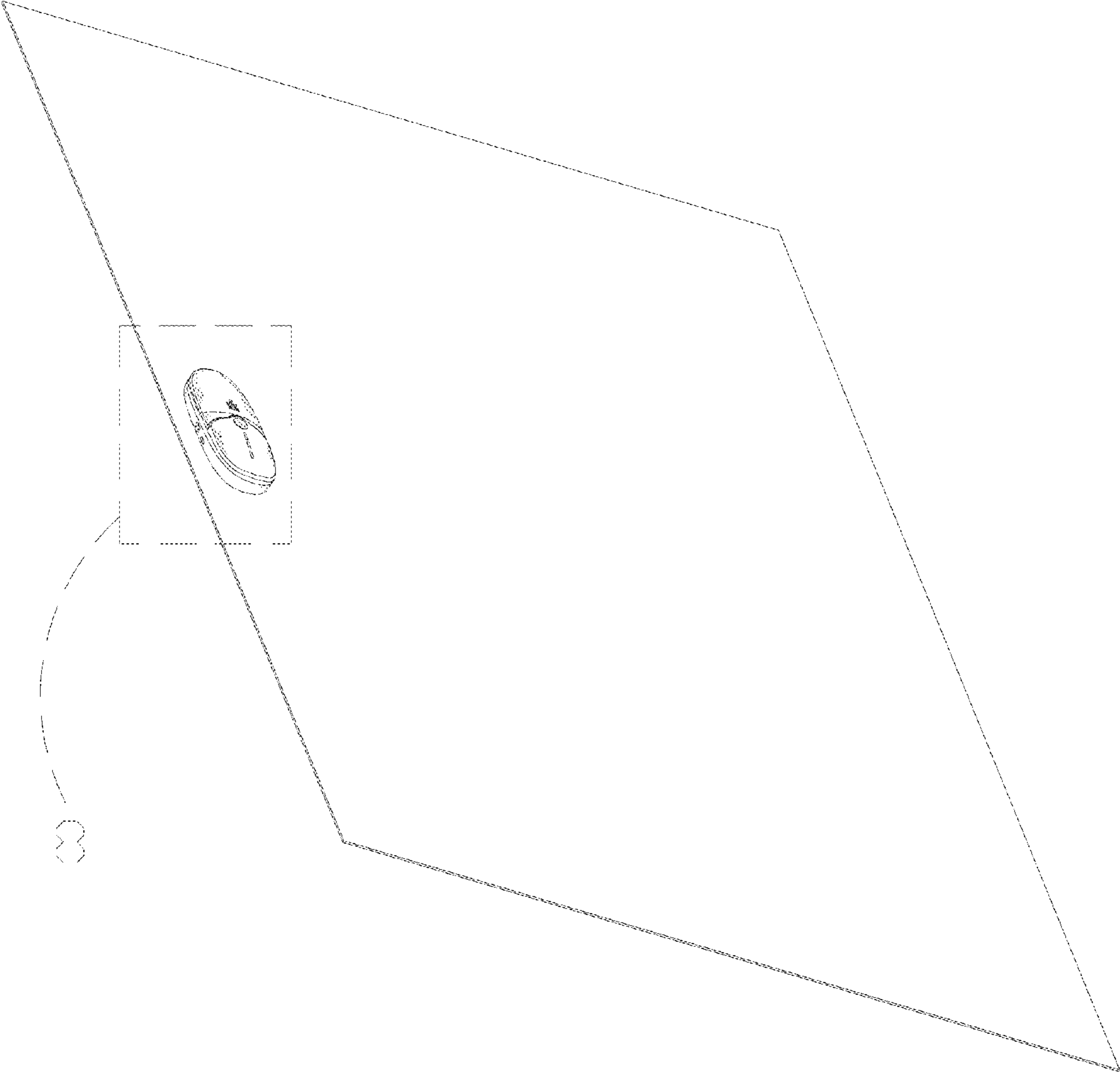


FIG 1



FIG. 2



FIG.3

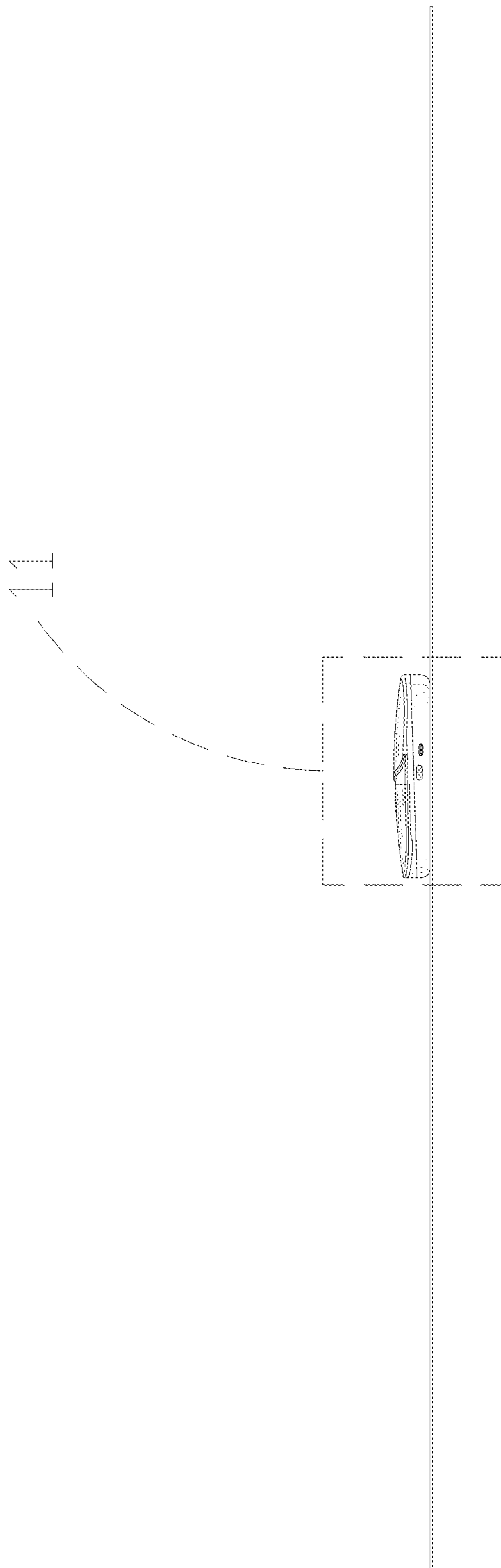


FIG. 4

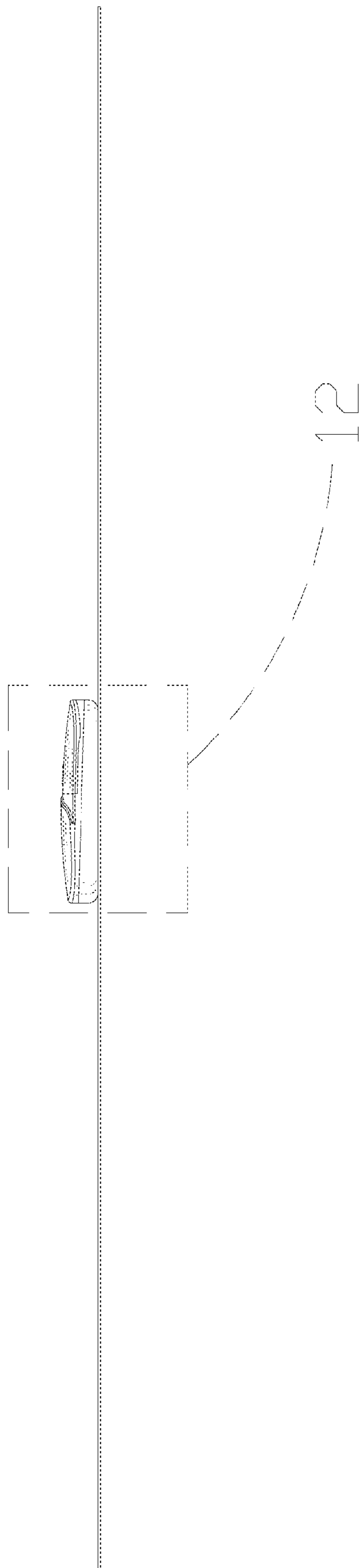


FIG. 5



FIG. 6



FIG. 7

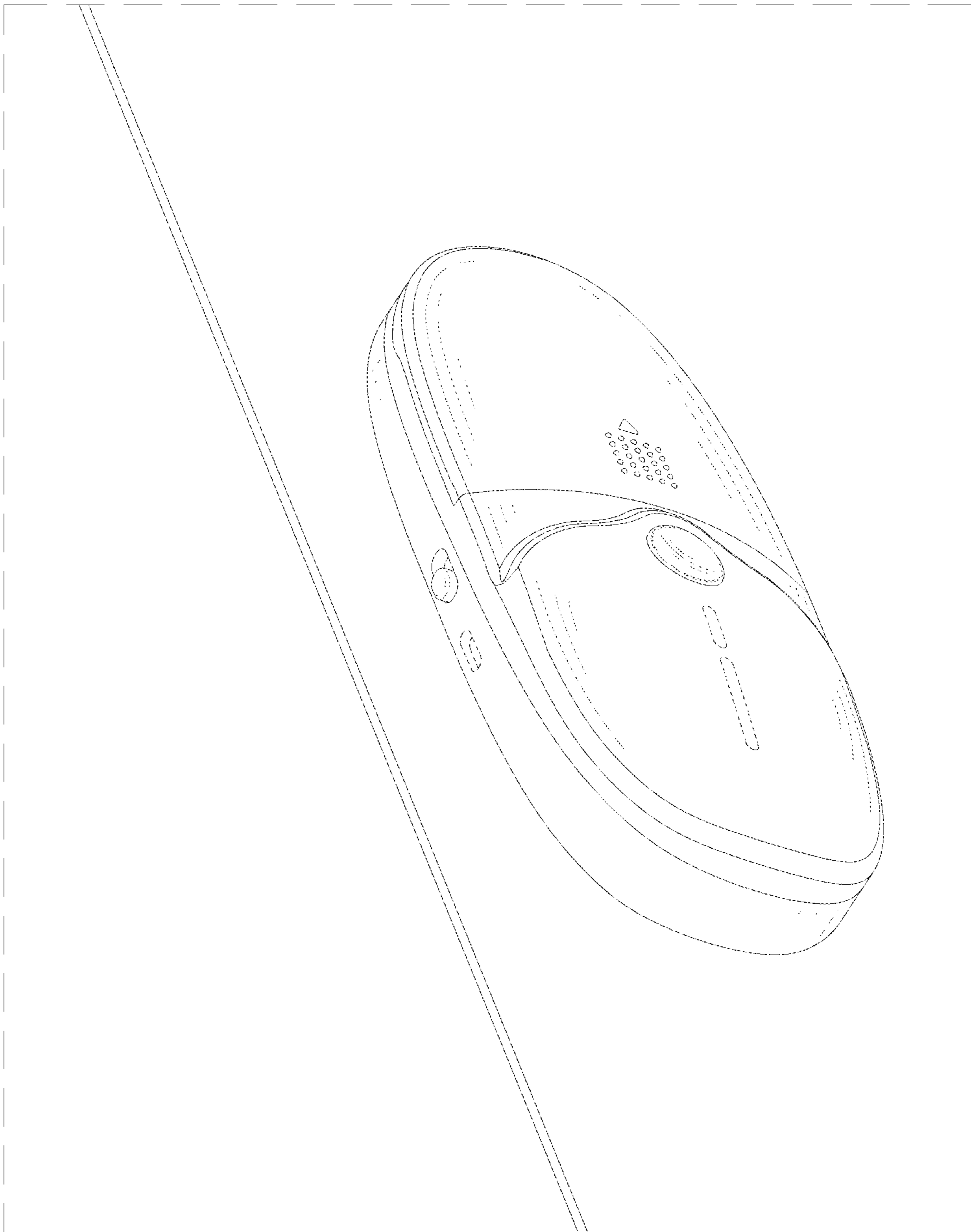


FIG. 8

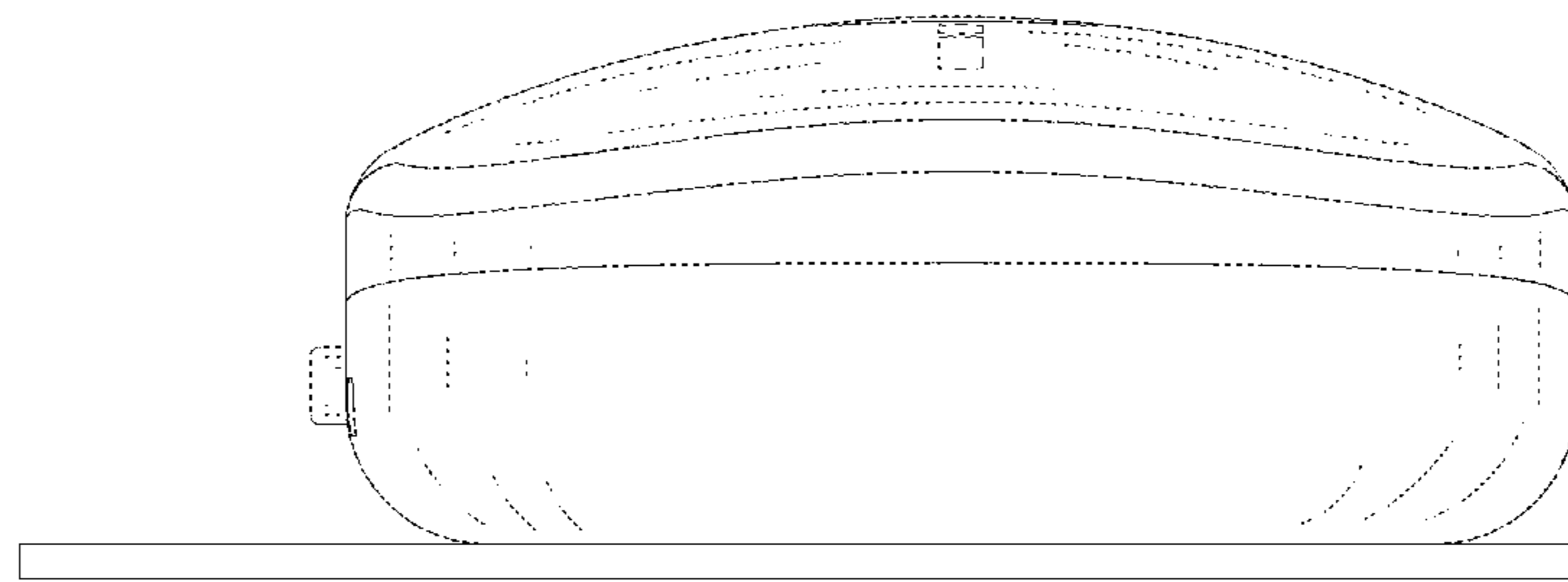


FIG. 9

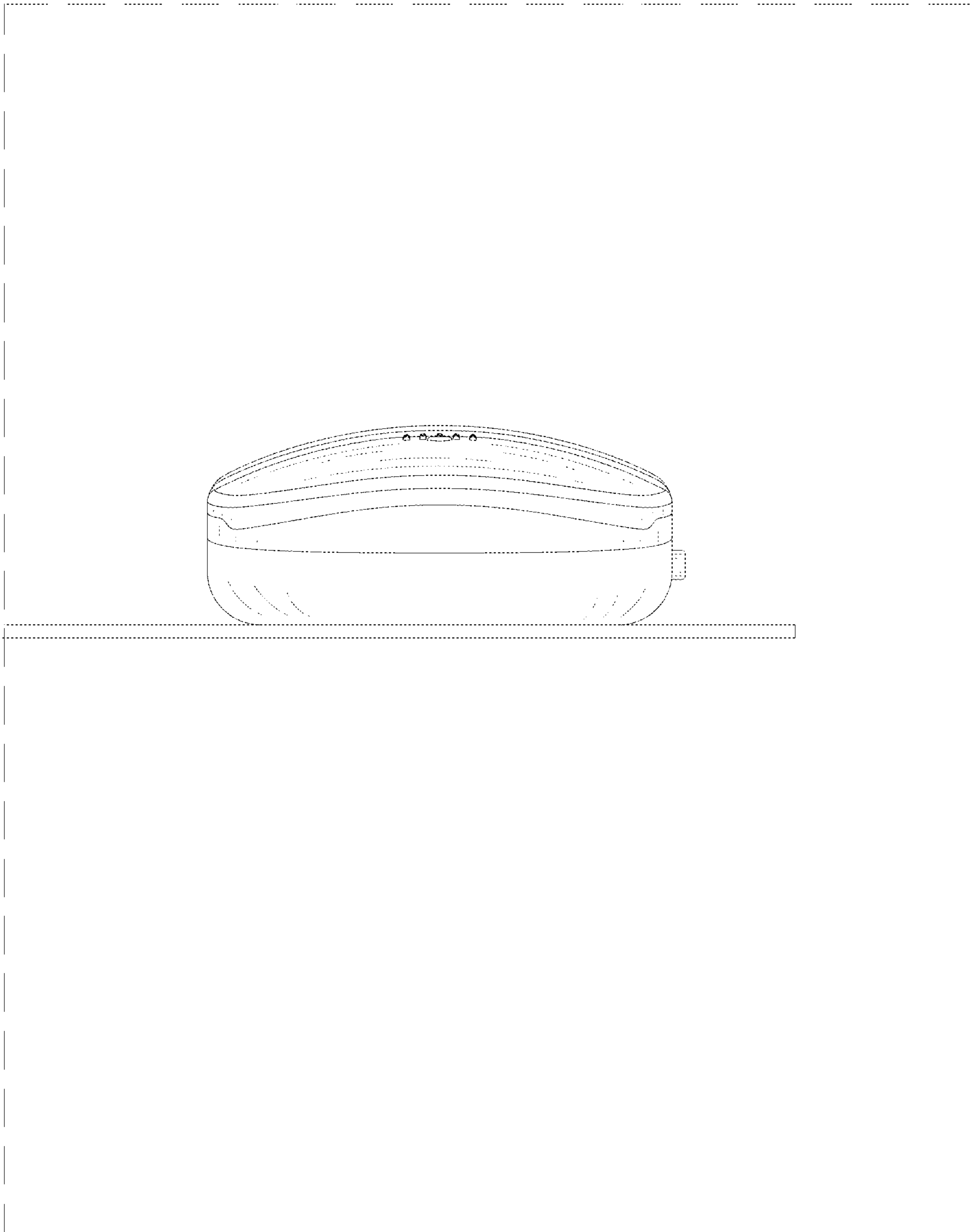


FIG.10

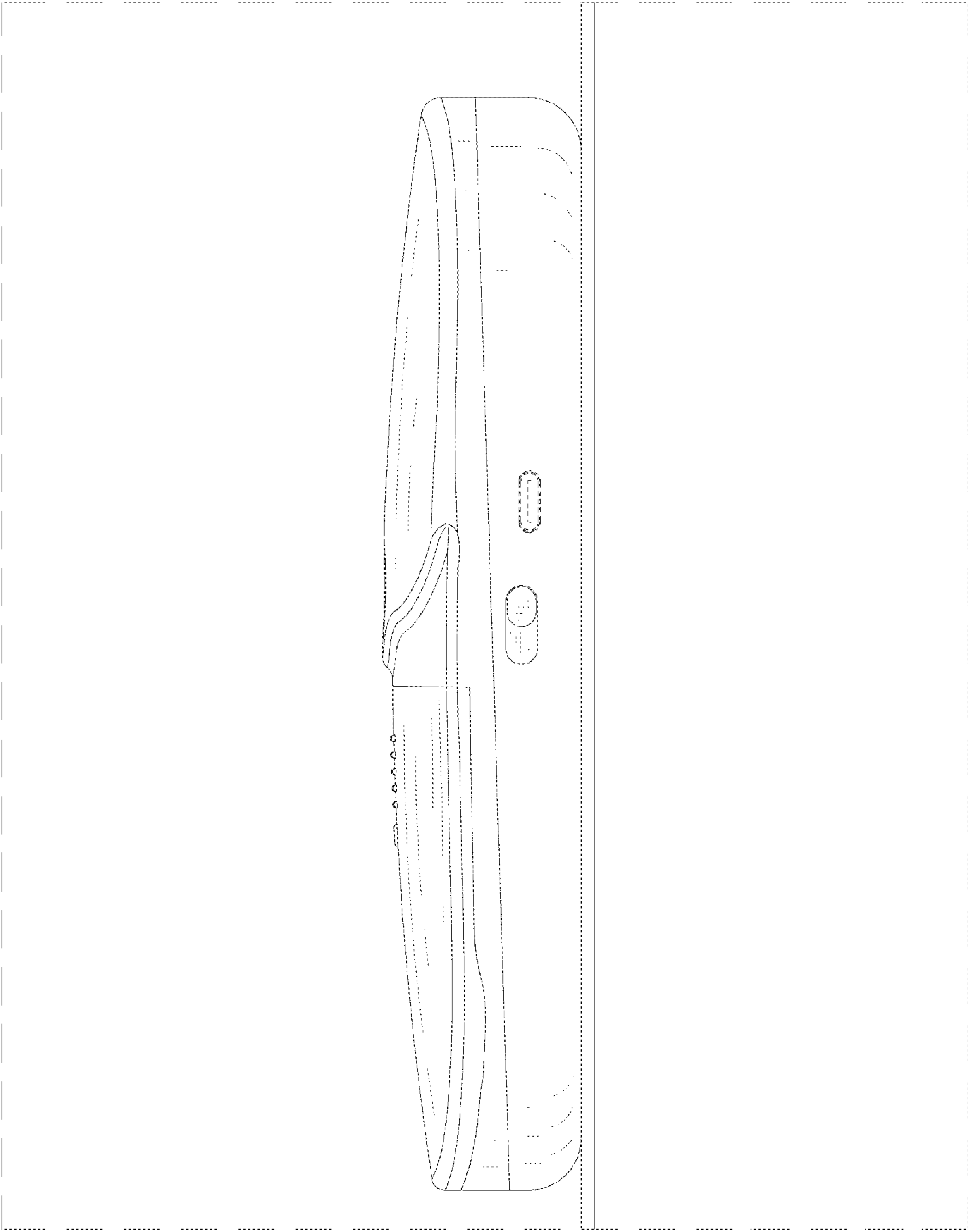


FIG. 11

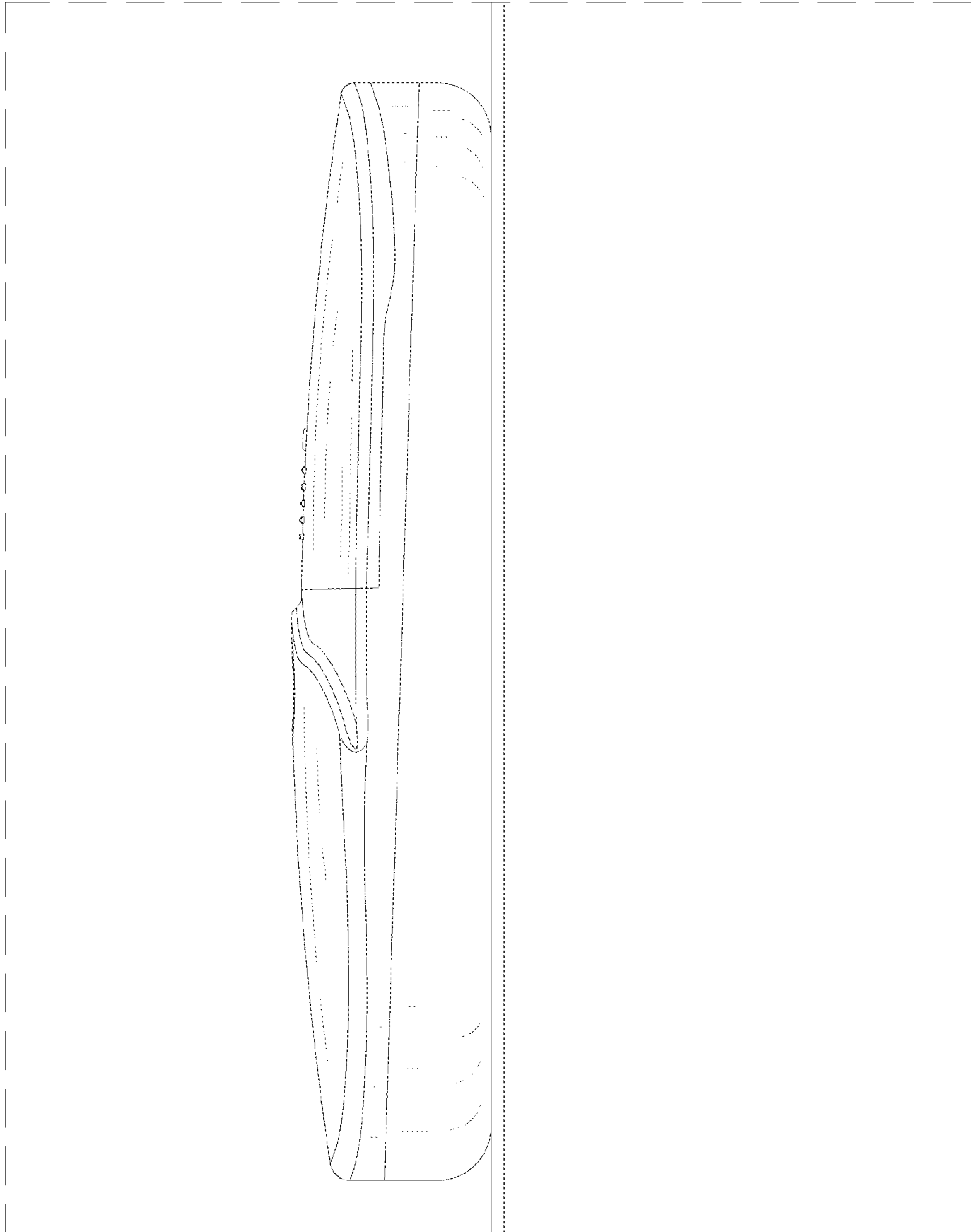


FIG. 12

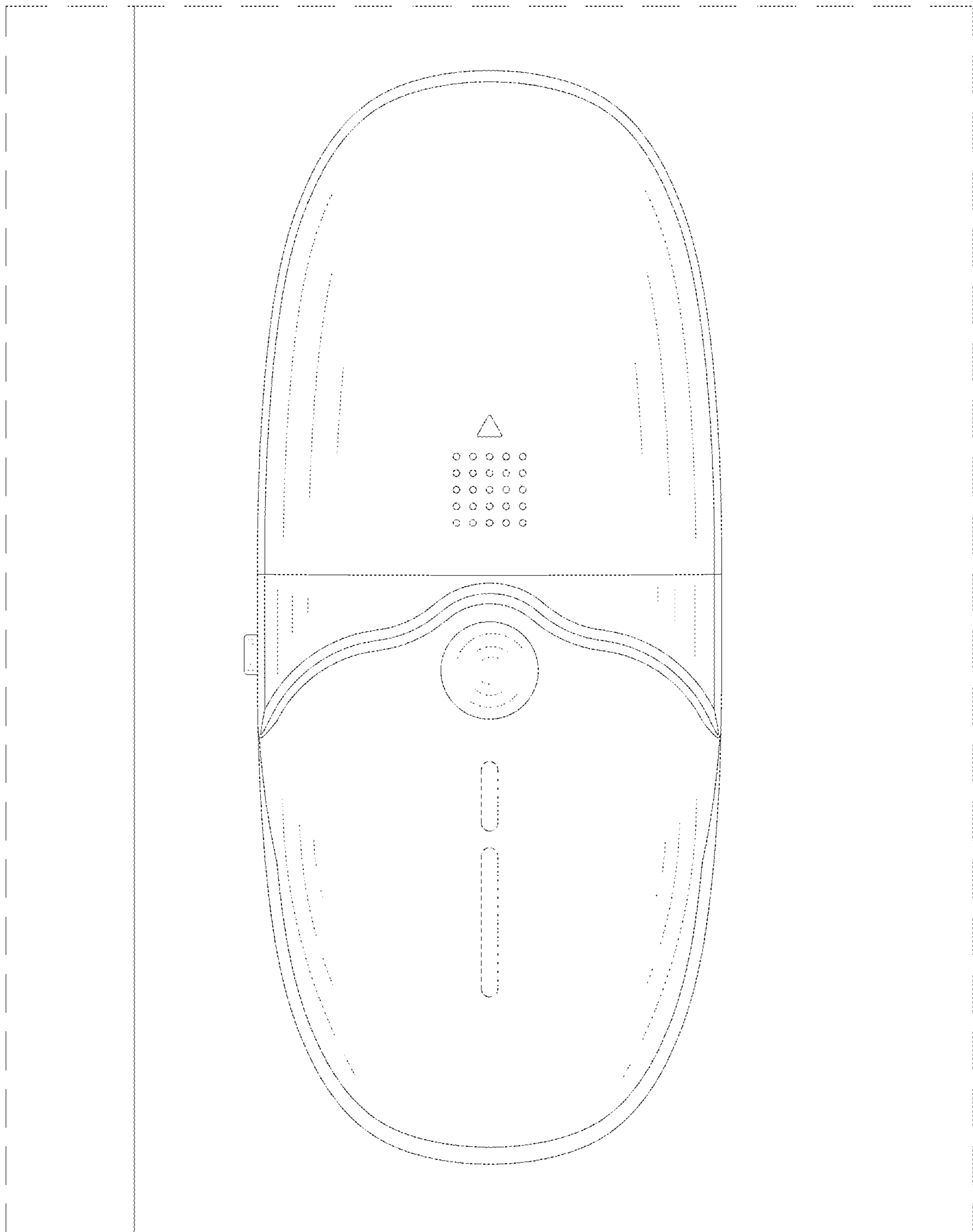


FIG. 13