



US00D969423S

(12) **United States Design Patent**  
**Wu**

(10) **Patent No.:** **US D969,423 S**

(45) **Date of Patent:** **\*\* Nov. 8, 2022**

(54) **FOLDING CAT LITTER BASIN**

(71) Applicant: **Guangzhou Wandai Technology Co., Ltd., Guangdong (CN)**

(72) Inventor: **Xianwen Wu, Guangdong (CN)**

(73) Assignee: **Guangzhou Wandai Technology Co., Ltd., Guangdong (CN)**

(\*\*) Term: **15 Years**

(21) Appl. No.: **29/812,808**

(22) Filed: **Oct. 25, 2021**

(51) **LOC (13) Cl.** ..... **30-99**

(52) **U.S. Cl.**  
USPC ..... **D30/161**

(58) **Field of Classification Search**  
USPC ..... D30/161  
CPC .. A01K 1/0114; A01K 1/0125; A01K 1/0152;  
A01K 1/0107

See application file for complete search history.

(56) **References Cited**

**U.S. PATENT DOCUMENTS**

399,753	A *	3/1889	Jones	.....	B65F 1/10 220/252
D227,126	S *	6/1973	Brison	.....	119/497
D248,333	S *	6/1978	Haugen	.....	D30/108
D300,966	S *	5/1989	Conner	.....	D30/161
D300,967	S *	5/1989	Conner	.....	D30/161
D312,941	S	12/1990	Zivin		
D371,873	S	7/1996	Brassfield		
6,055,935	A *	5/2000	Engel	.....	A01K 1/0107 119/170
D527,498	S *	8/2006	Lewis, II	.....	D30/161
D528,252	S *	9/2006	Van Skiver	.....	D30/161
D728,172	S *	4/2015	Matsuo	.....	D30/161

D813,472	S *	3/2018	Veness	.....	D30/161
D880,790	S *	4/2020	Maeda	.....	D30/161
D960,465	S *	8/2022	Veness	.....	D30/161
2015/0320008	A1 *	11/2015	Northrop	.....	A01K 1/0107 119/165

**OTHER PUBLICATIONS**

High quality folding design easy cleaning cat toilet, posted at alibaba.com, earliest date posted unknown, [online], acquired on Sep. 7, 2022. Available from Internet, [https://www.alibaba.com/product-detail/High-quality-folding-design-easy-cleaning\\_1600435805535.html](https://www.alibaba.com/product-detail/High-quality-folding-design-easy-cleaning_1600435805535.html) (Year: 2022).\*

\* cited by examiner

*Primary Examiner* — Sheryl Lane

*Assistant Examiner* — Aula Soroush

(74) *Attorney, Agent, or Firm* — ScienBiziP, P.C.

(57) **CLAIM**

The ornamental design for a folding cat litter basin, as shown and described.

**DESCRIPTION**

FIG. 1 is a front, right, and top perspective view of a folding cat litter basin, showing my design.

FIG. 2 is a rear, left, and bottom perspective view thereof.

FIG. 3 is a front elevation view thereof.

FIG. 4 is a rear elevation view thereof.

FIG. 5 is a left side elevation view thereof.

FIG. 6 is a right side elevation view thereof.

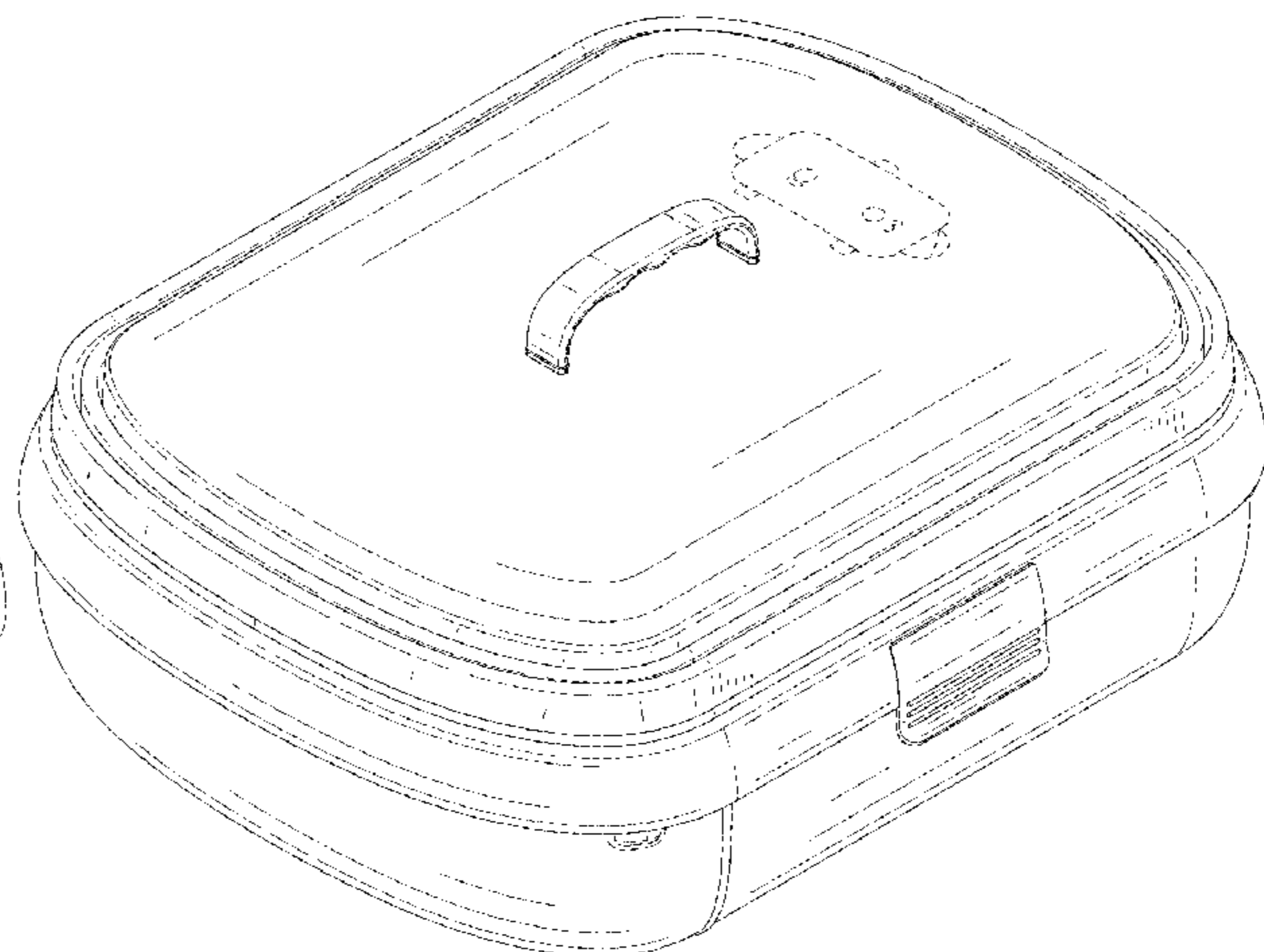
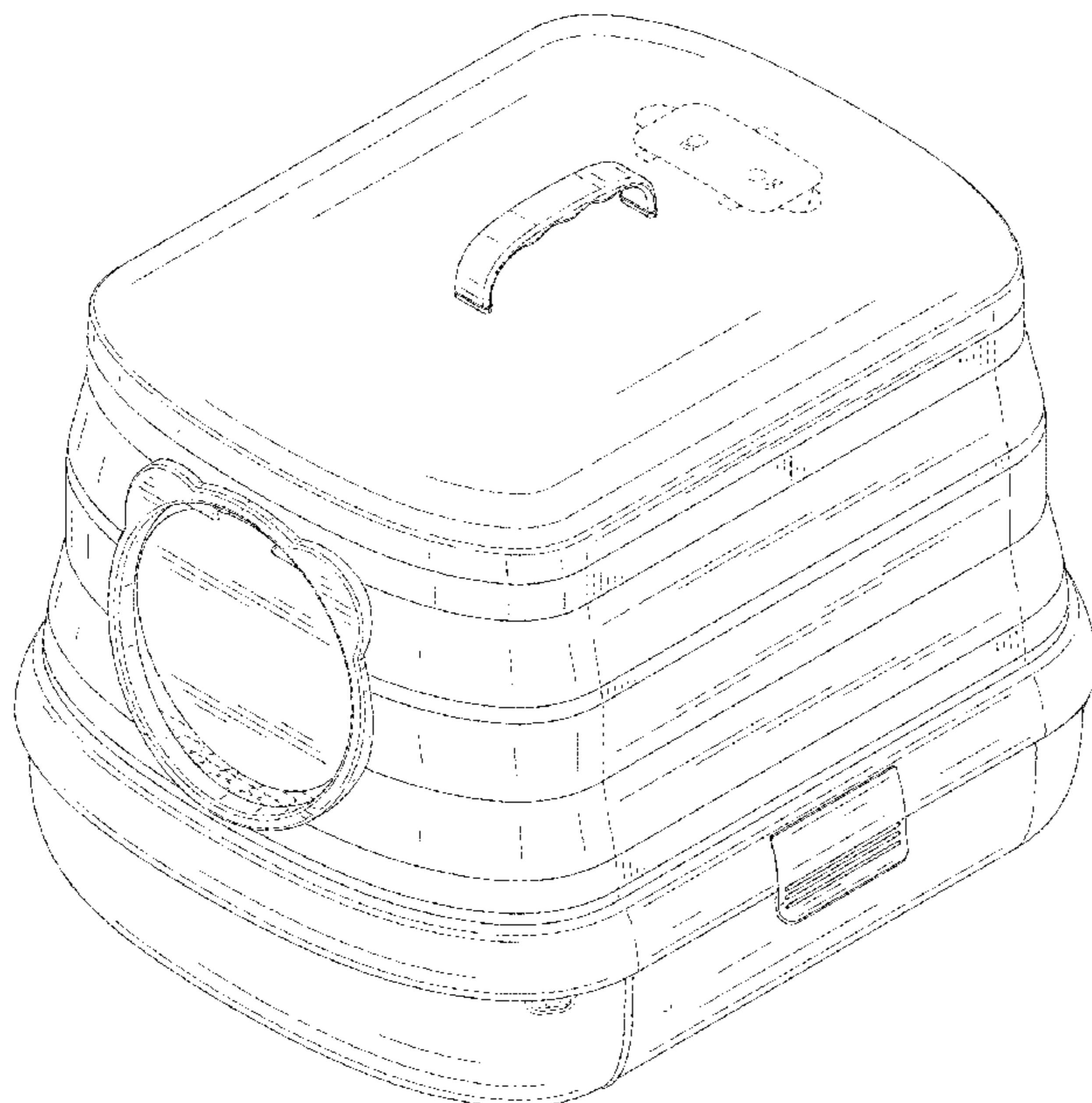
FIG. 7 is a top plan view thereof.

FIG. 8 is a bottom plan view thereof; and,

FIG. 9 is another front, right, and top perspective view of a FIG. 1 wherein the cat litter basin is folded.

The broken lines shown in the drawings are included for the purpose of illustrating portions of the folding cat litter basin that form no part of the claimed design.

**1 Claim, 9 Drawing Sheets**



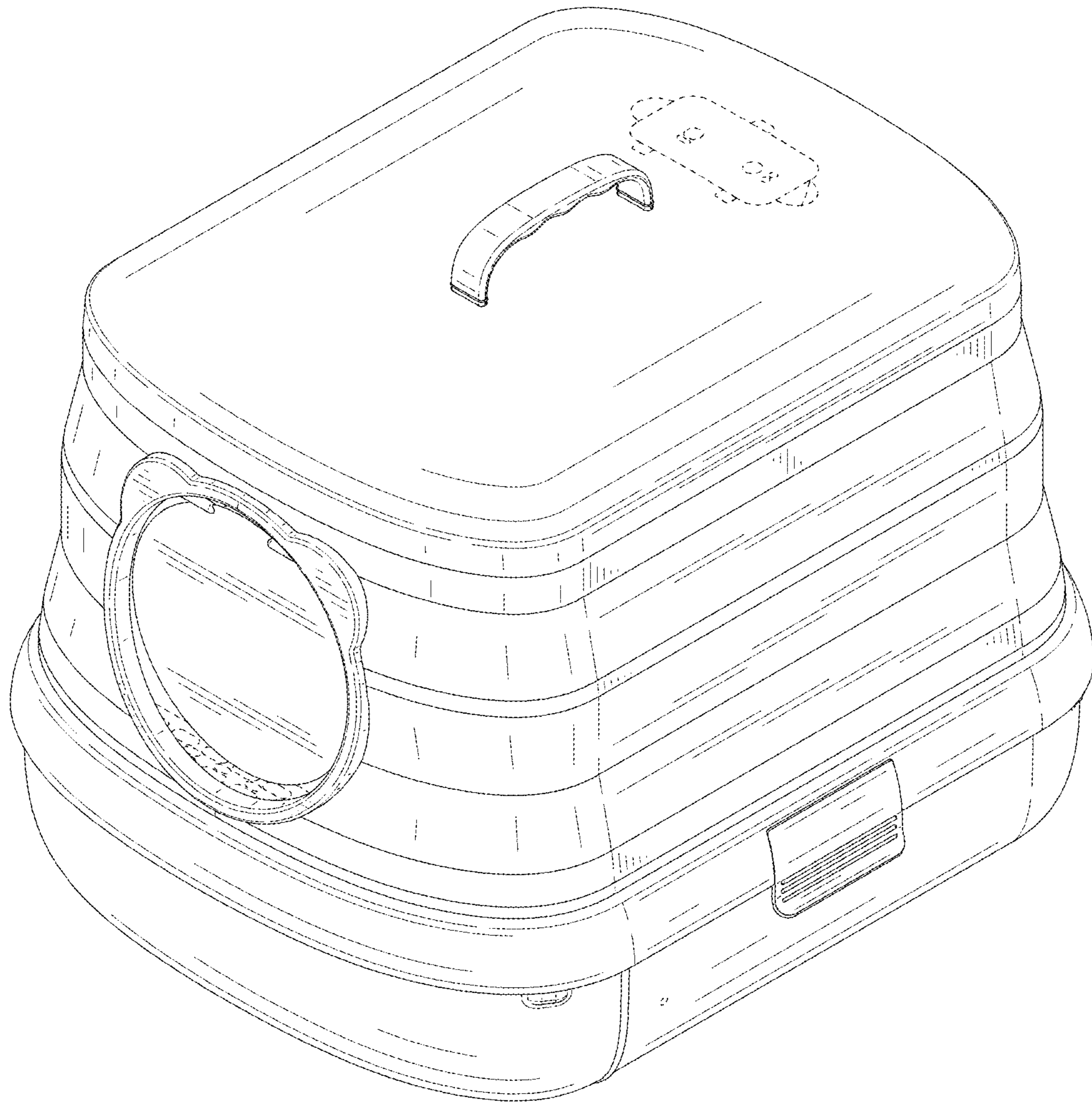


FIG. 1



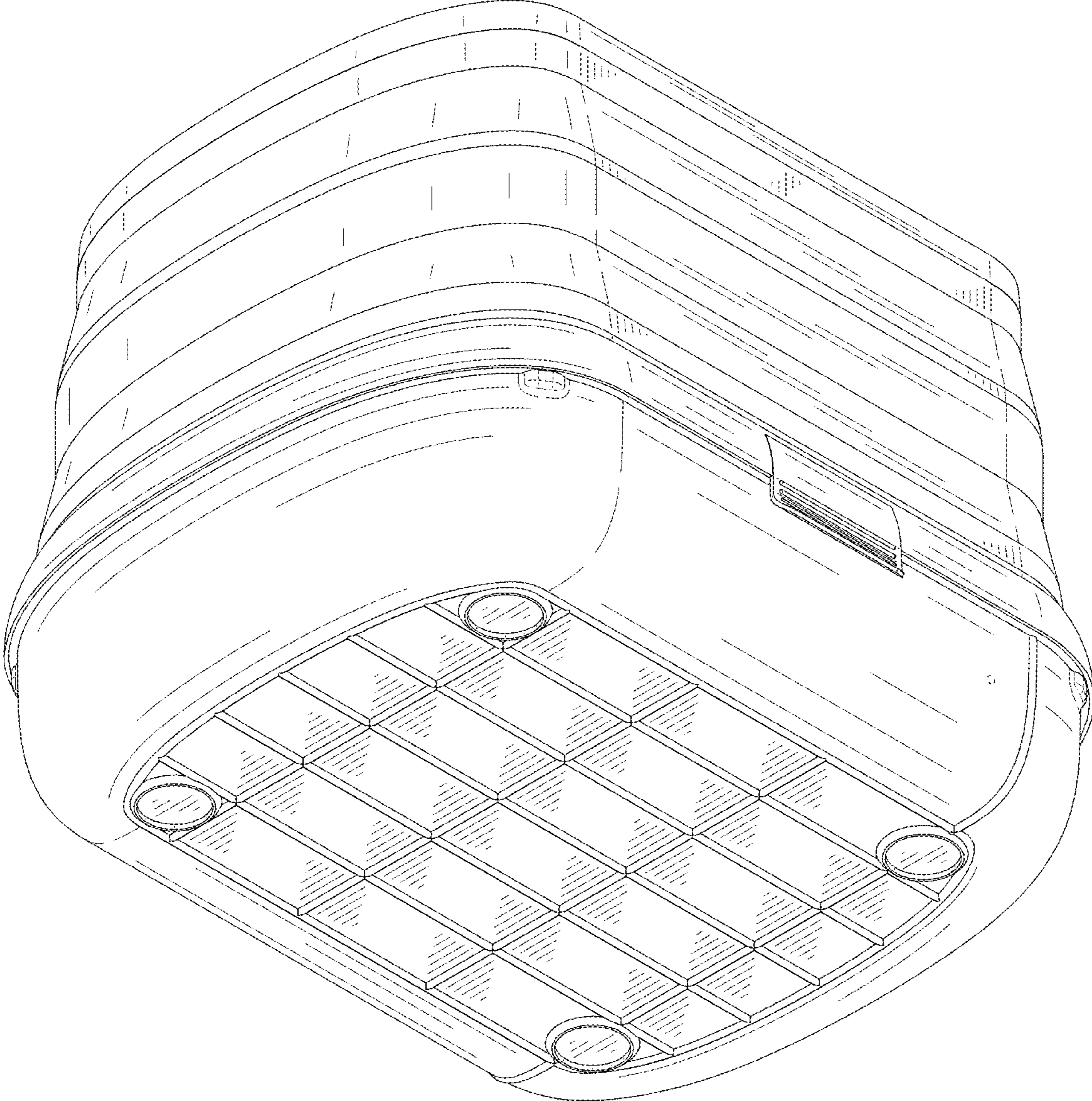


FIG. 2

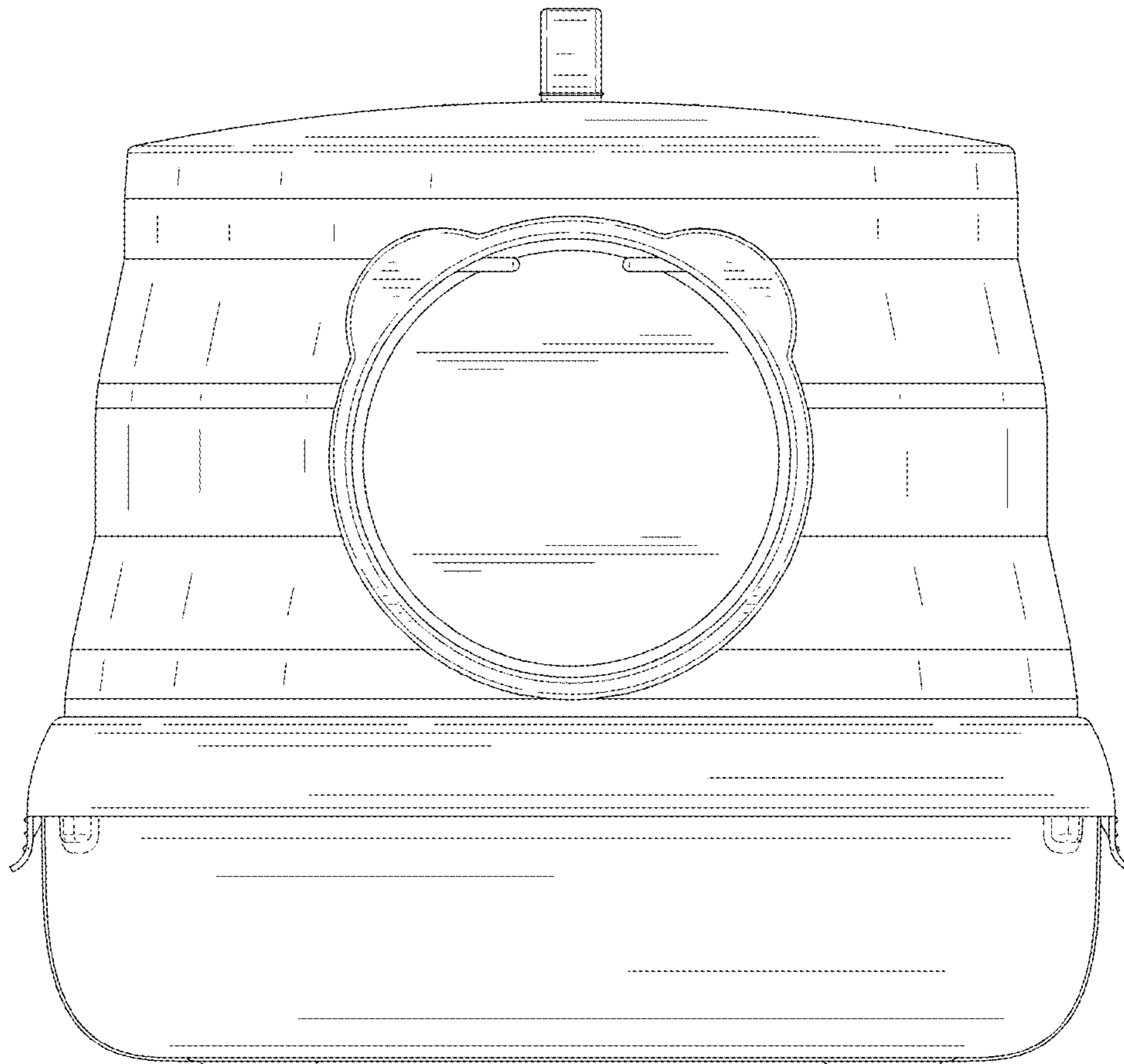


FIG. 3

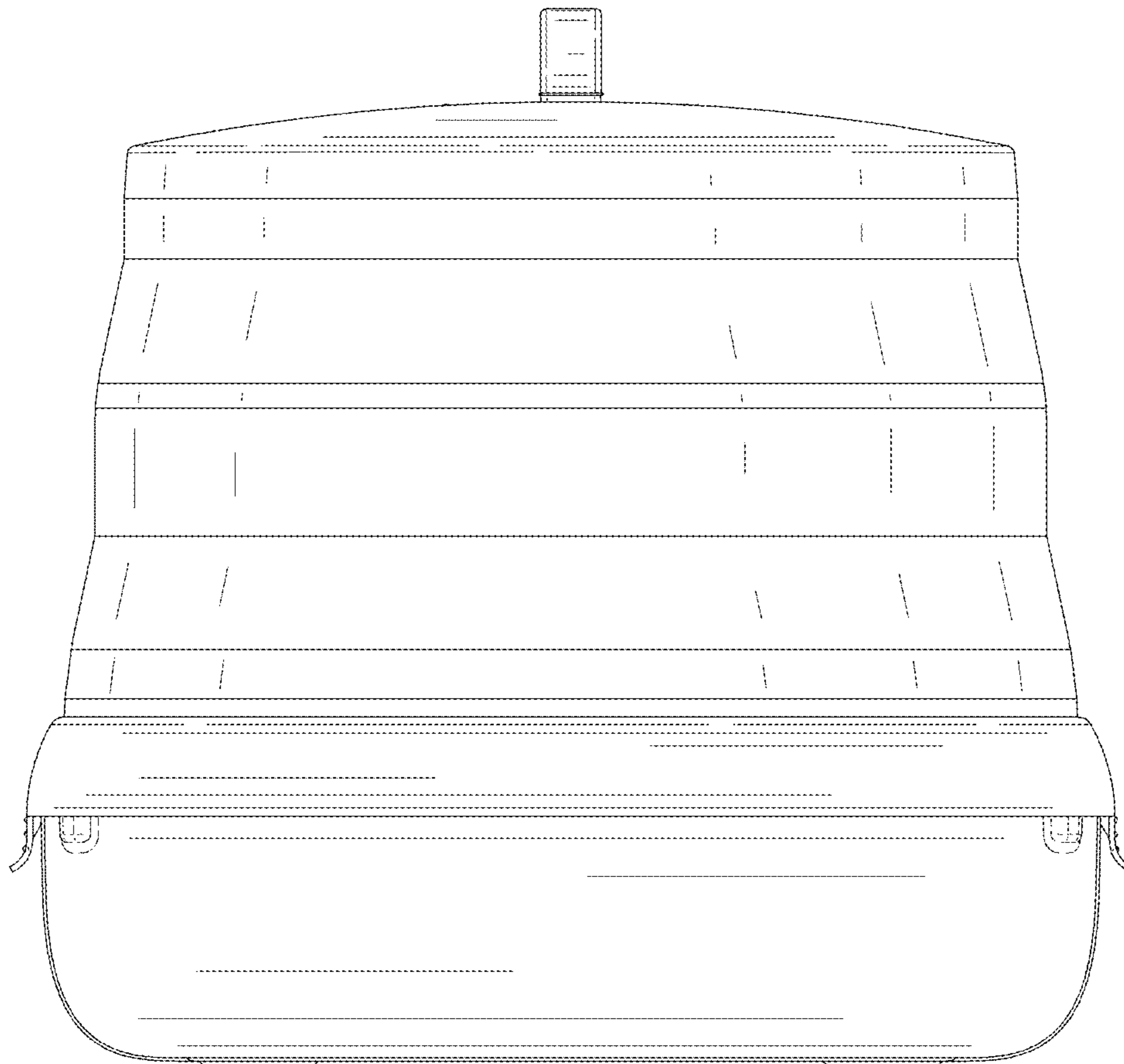


FIG. 4

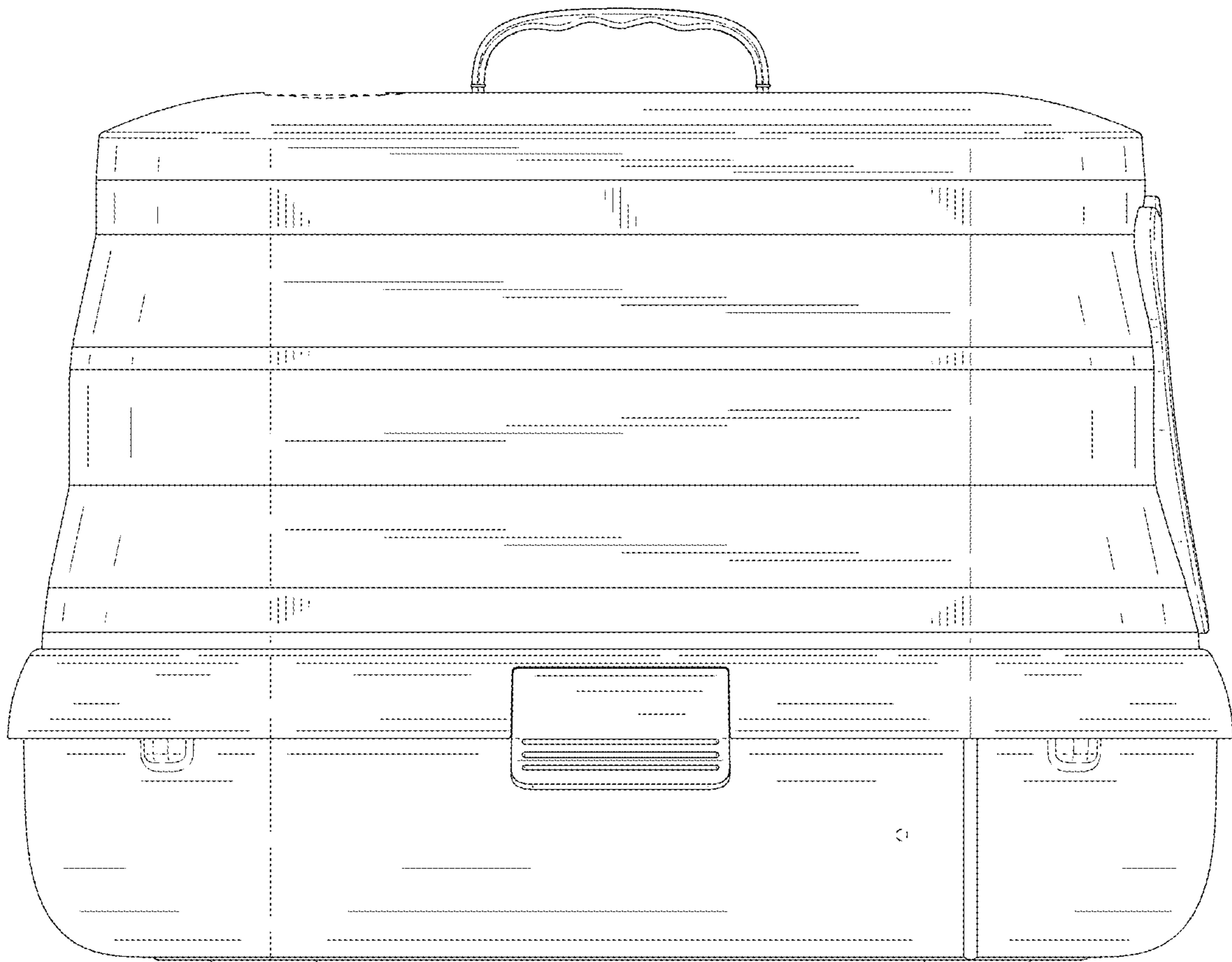


FIG. 5



FIG. 6



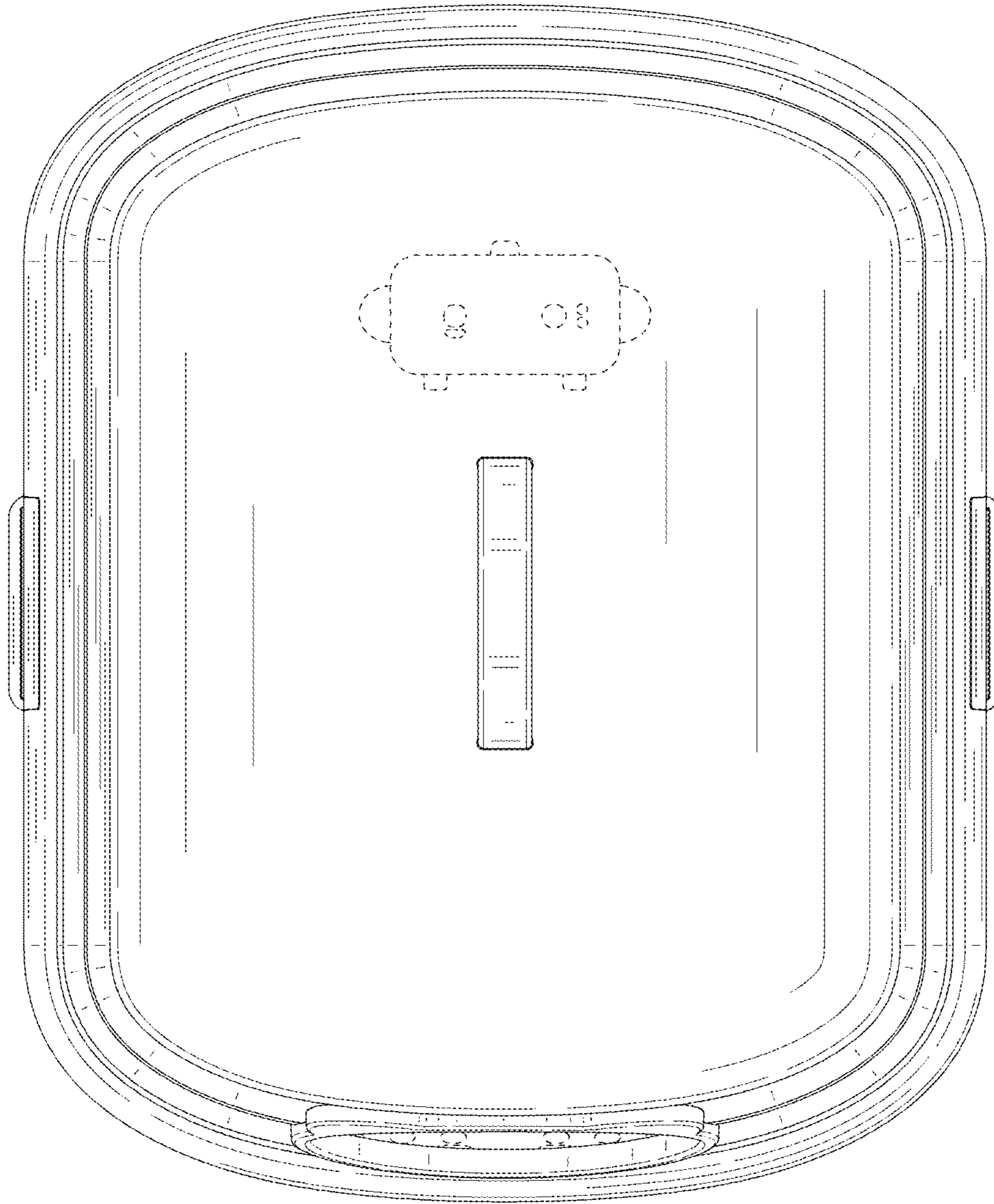


FIG. 7



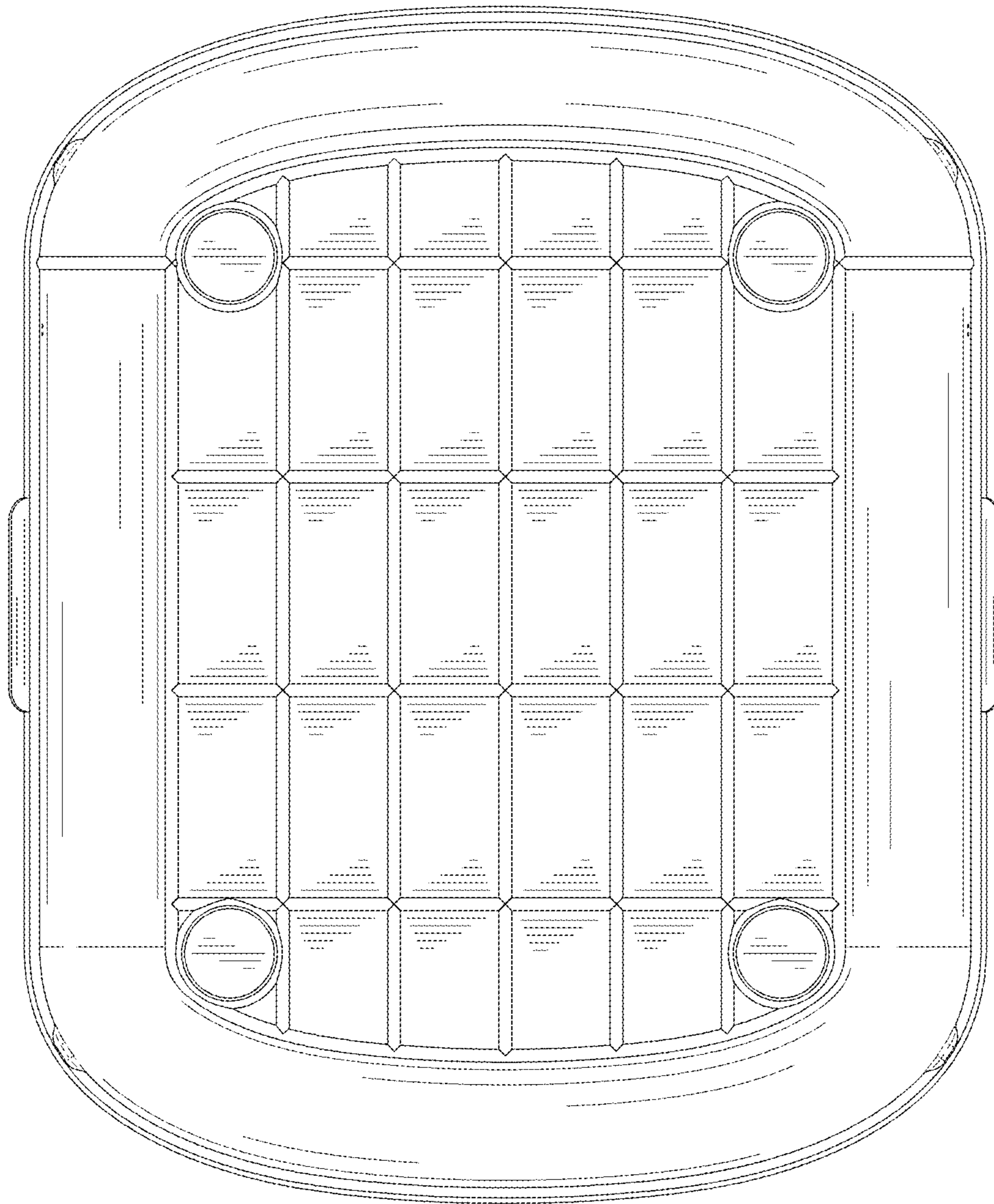


FIG. 8



FIG. 9