



US00D969422S

(12) **United States Design Patent** (10) **Patent No.:** **US D969,422 S**
Son (45) **Date of Patent:** **** Nov. 8, 2022**

(54) **CAT LITTER BOX**
(71) Applicant: **Myong Chae Son**, Daejeon (KR)
(72) Inventor: **Myong Chae Son**, Daejeon (KR)
(**) Term: **15 Years**

(21) Appl. No.: **29/752,644**
(22) Filed: **Sep. 28, 2020**

(30) **Foreign Application Priority Data**

May 1, 2020 (KR) 30-2020-0019315

(51) **LOC (13) Cl.** **30-99**

(52) **U.S. Cl.**
USPC **D30/161**

(58) **Field of Classification Search**
USPC D30/108-109, 112-120, 161, 162
CPC A01K 1/01; A01K 1/0107; A01K 1/011;
A01K 1/0114; A01K 1/0117; A01K
1/0121; A01K 1/0125; A01K 1/0128;
A01K 1/0132; A01K 1/0135; A01K
1/0139; A01K 1/0142; A01K 1/0236;
A01K 1/0272; A01K 1/029; A01K 1/033;
A01K 1/034; A01K 1/035; A01K 1/0035
See application file for complete search history.

(56) **References Cited**

U.S. PATENT DOCUMENTS

D327,971 S * 7/1992 Cugley D3/304
D361,175 S * 8/1995 VanSkiver D30/109
D380,880 S * 7/1997 Reid D30/118
D425,703 S * 5/2000 Ohayon D3/304
D436,728 S * 1/2001 Harding A01K 1/0107
D3/304
7,150,242 B2 * 12/2006 Schuster A01K 1/0107
119/165
D638,590 S * 5/2011 Lipscomb D23/278
D654,690 S * 2/2012 Sofy D3/309
D660,058 S * 5/2012 Kincaid D6/705
D678,632 S * 3/2013 Chance D30/161

D679,461 S * 4/2013 Chance D30/161
D691,335 S * 10/2013 Zettlemoyer A01K 1/0107
D30/161
D699,407 S * 2/2014 Sikora D30/161
(Continued)

FOREIGN PATENT DOCUMENTS

CN 304372034 * 11/2017
KR 300945734 * 2/2018
KR 301061776 * 6/2020

OTHER PUBLICATIONS

Nature's Miracle High-Sided Litter Box, available in Amazon.com, date first available Jun. 1, 2012 [online], [site visited May 13, 2022], Available from the internet URL: <https://www.amazon.com/Natures-Miracle-High-Sided-Litter-inches/dp/B0087Y5NKS?th=1> (Year: 2012).*

(Continued)

Primary Examiner — Jennifer L Rempfer
Assistant Examiner — Elizabeth Anne Glassberg
(74) *Attorney, Agent, or Firm* — Rabin & Berdo, P.C.

(57) **CLAIM**

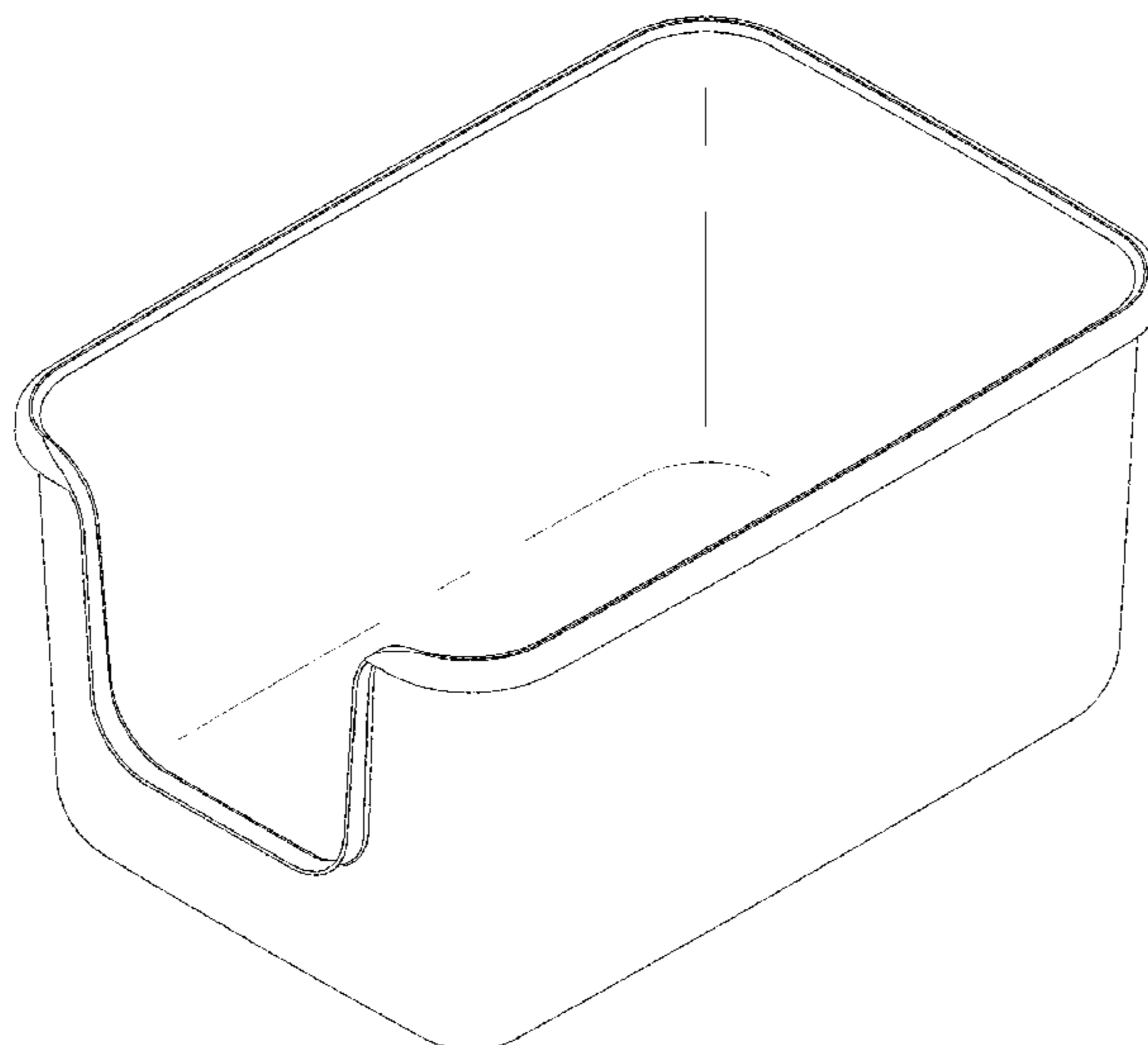
The ornamental design for a cat litter box, as shown and described.

DESCRIPTION

FIG. 1 is a perspective view of a cat litter box showing my new design;
FIG. 2 is a front elevational view thereof;
FIG. 3 is a rear elevational view thereof;
FIG. 4 is a left side elevational view thereof;
FIG. 5 is a right side elevational view thereof,
FIG. 6 is a top plan view thereof; and,
FIG. 7 is a bottom view thereof.

The broken lines depict portions of the article that form no part of the claimed design.

1 Claim, 7 Drawing Sheets



(56)

References Cited

U.S. PATENT DOCUMENTS

D700,435 S * 3/2014 Gold D3/307
D764,170 S * 8/2016 Bougay D3/304
D781,625 S * 3/2017 Poniatowski D6/683
D825,923 S * 8/2018 Suomela D3/304
D850,029 S * 5/2019 Williams D30/161
D870,988 S * 12/2019 Teper D30/161
D888,352 S * 6/2020 Olivier A01K 1/0114
D30/161
D935,111 S * 11/2021 Nam D30/161
D942,094 S * 1/2022 Courchesne D30/161
2002/0000205 A1* 1/2002 Yamamoto A01K 1/0114
119/161
2020/0163306 A1* 5/2020 Takai A01K 1/0107
2021/0051916 A1* 2/2021 Weber A01K 1/0114

OTHER PUBLICATIONS

IRIS USA Cat Litter Box, available in Amazon.com, date first available Jul. 13, 2016 [online], [site visited May 13, 2022], Available from the internet URL: <https://www.amazon.com/IRIS-USA-Litter-Kitty-Shield/dp/B07MTFPXZ4?th=1> (Year: 2016).*

* cited by examiner

FIG. 1

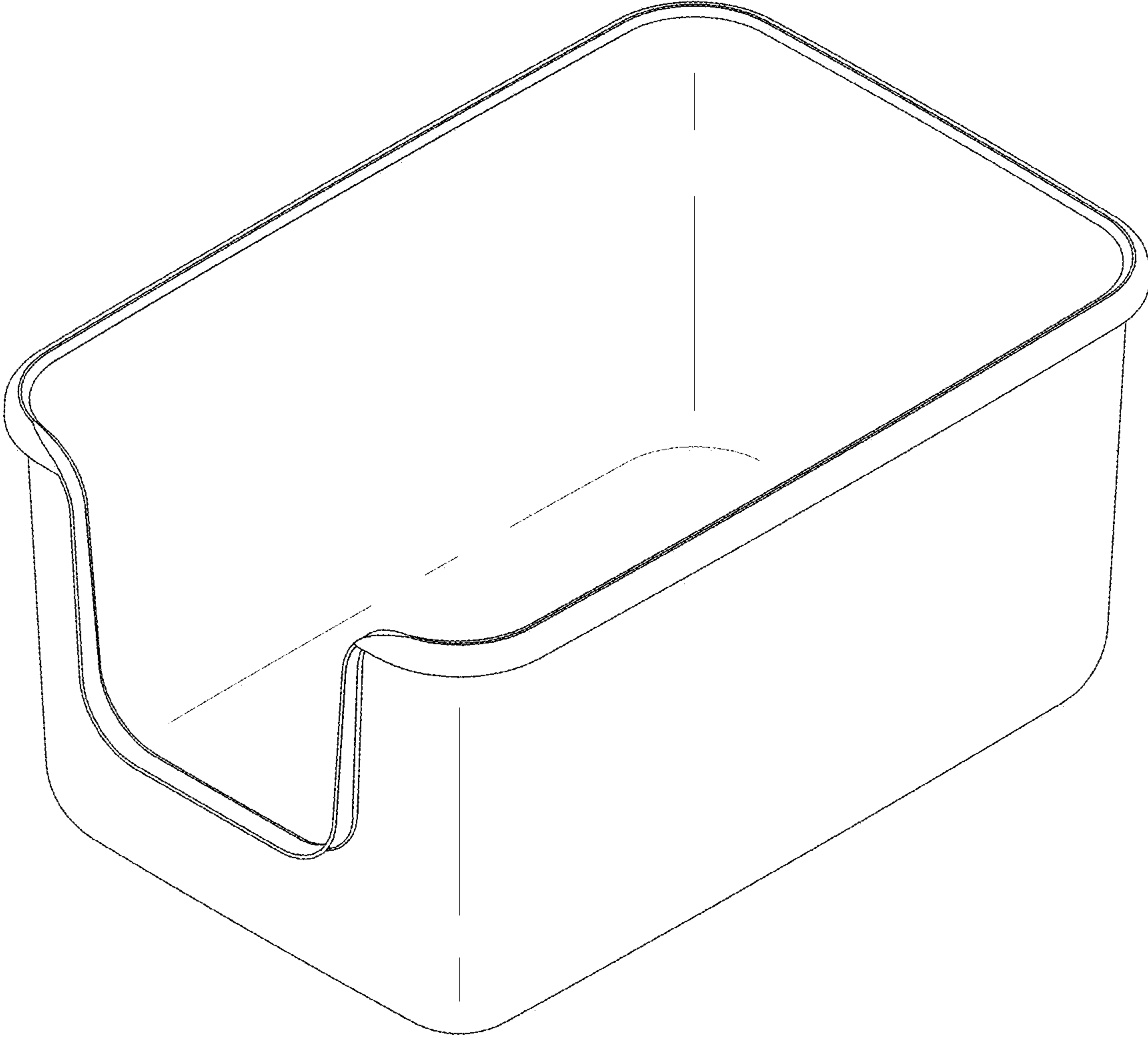


FIG. 2

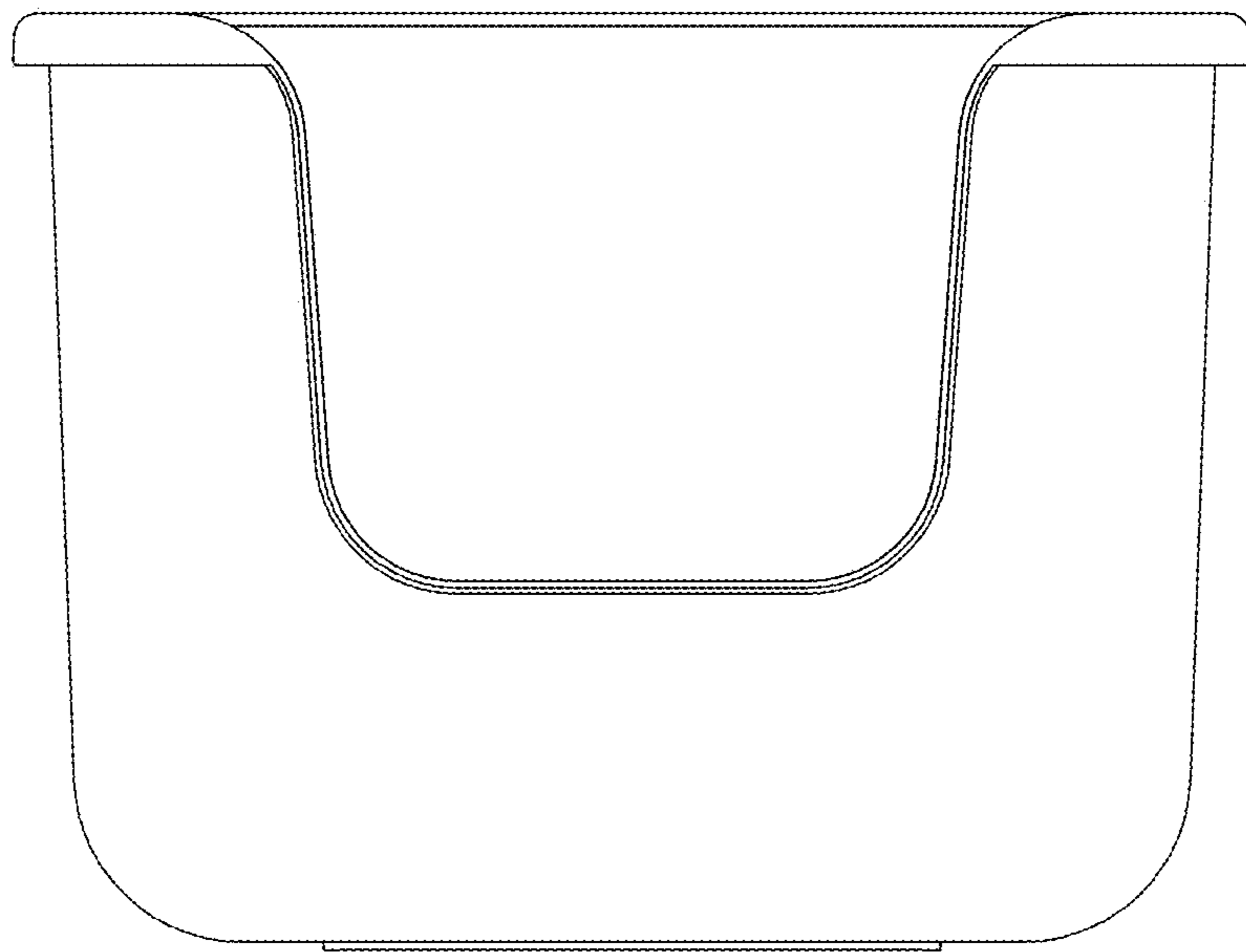


FIG. 3

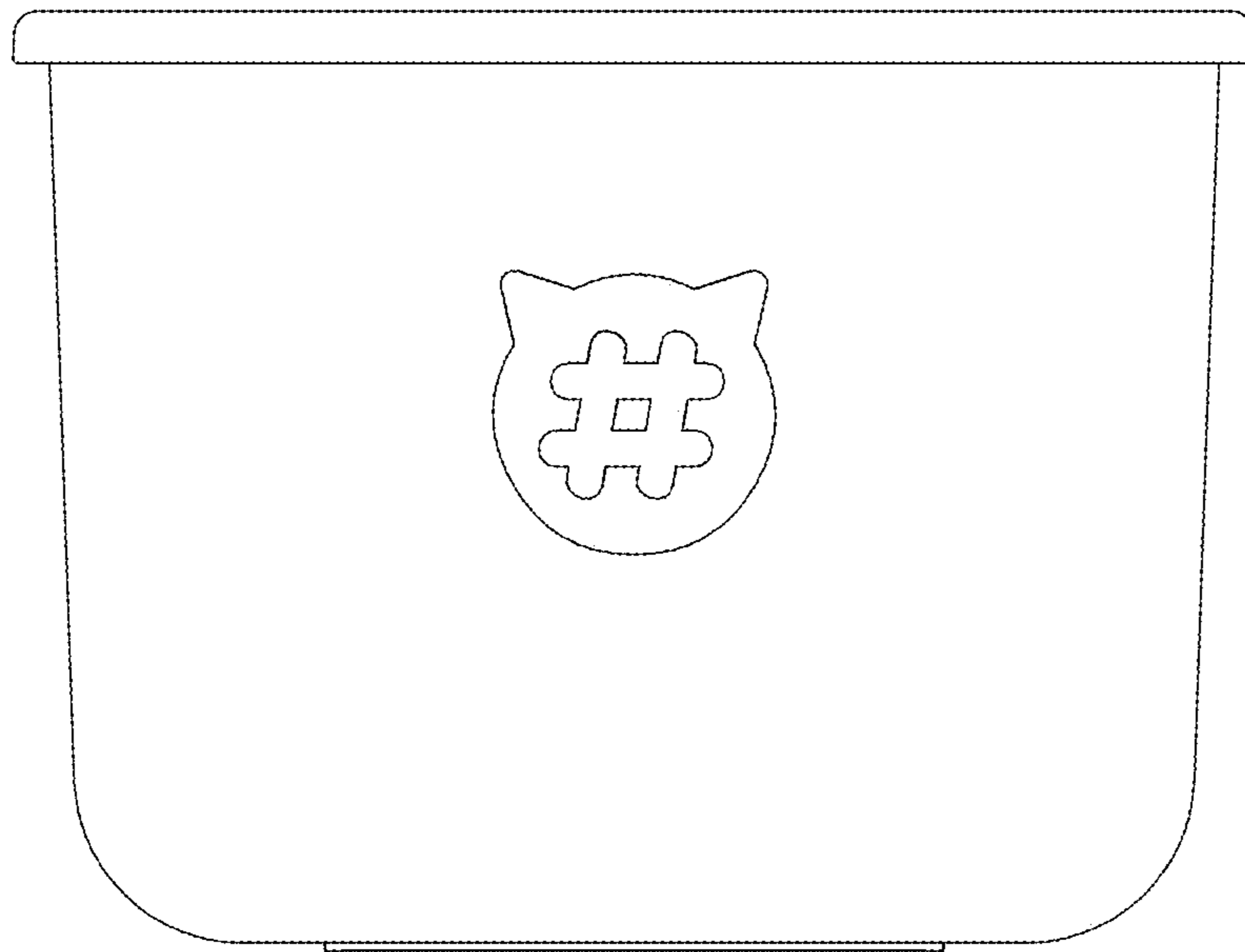


FIG. 4

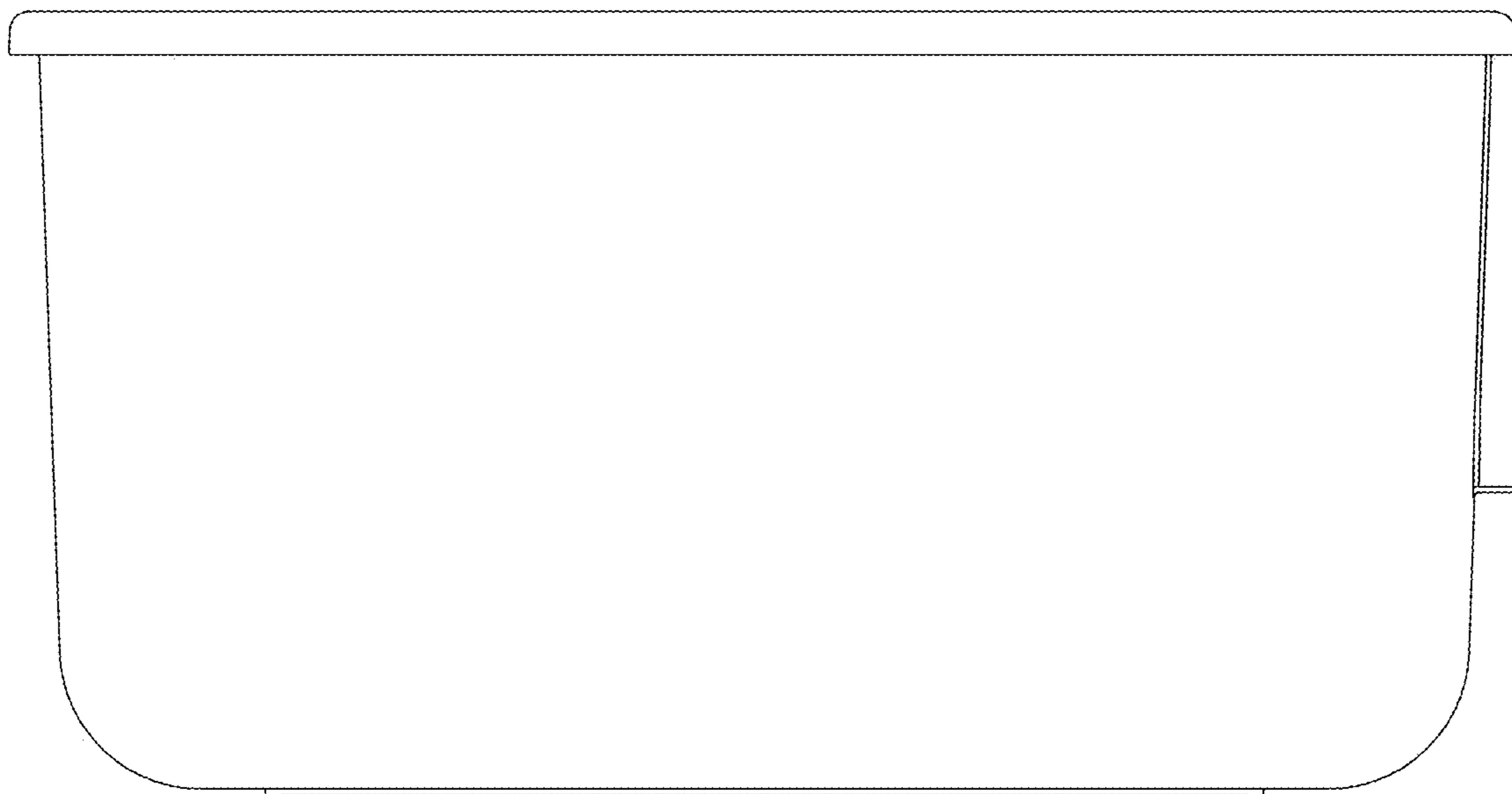


FIG. 5

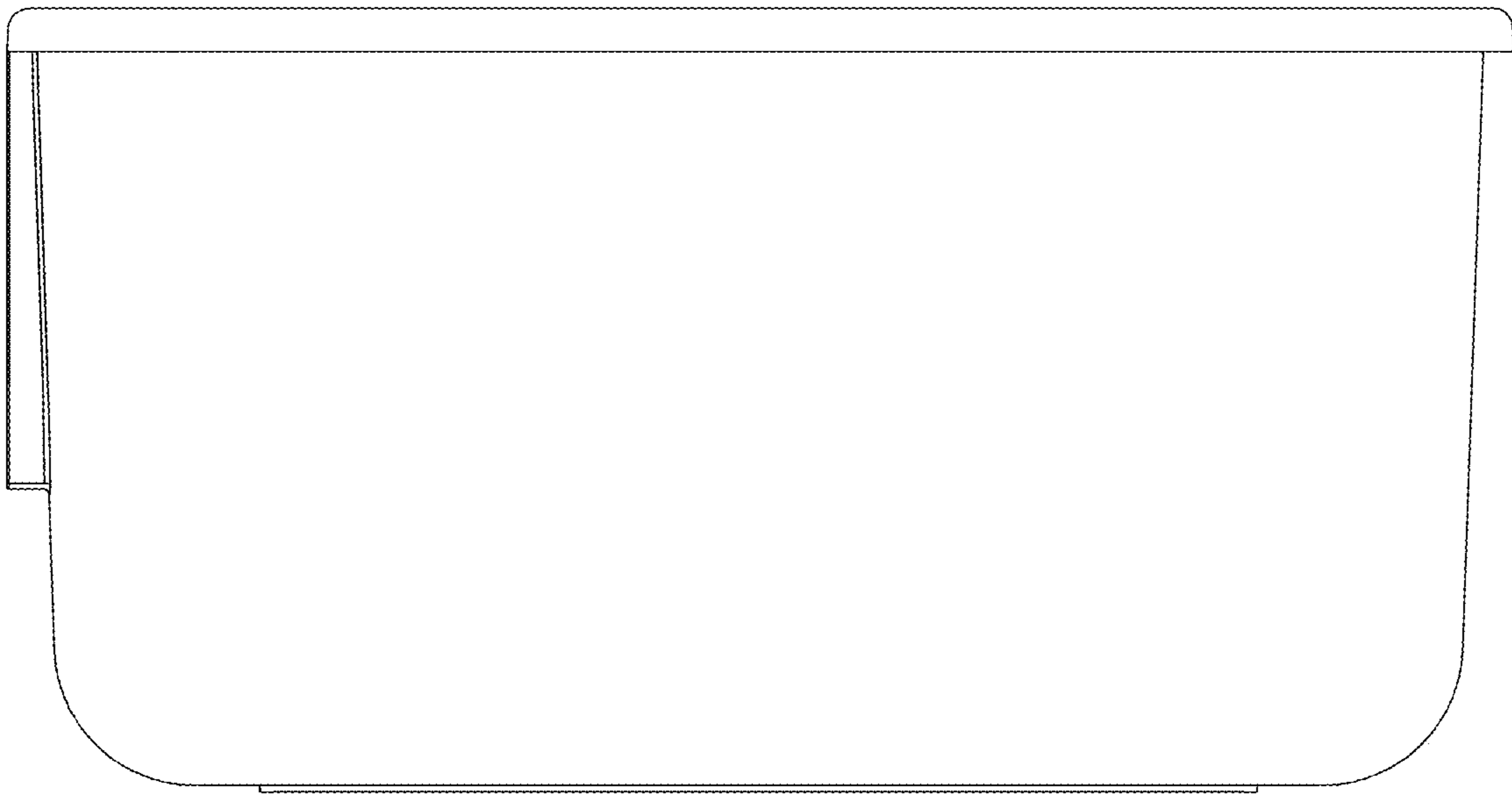


FIG. 6

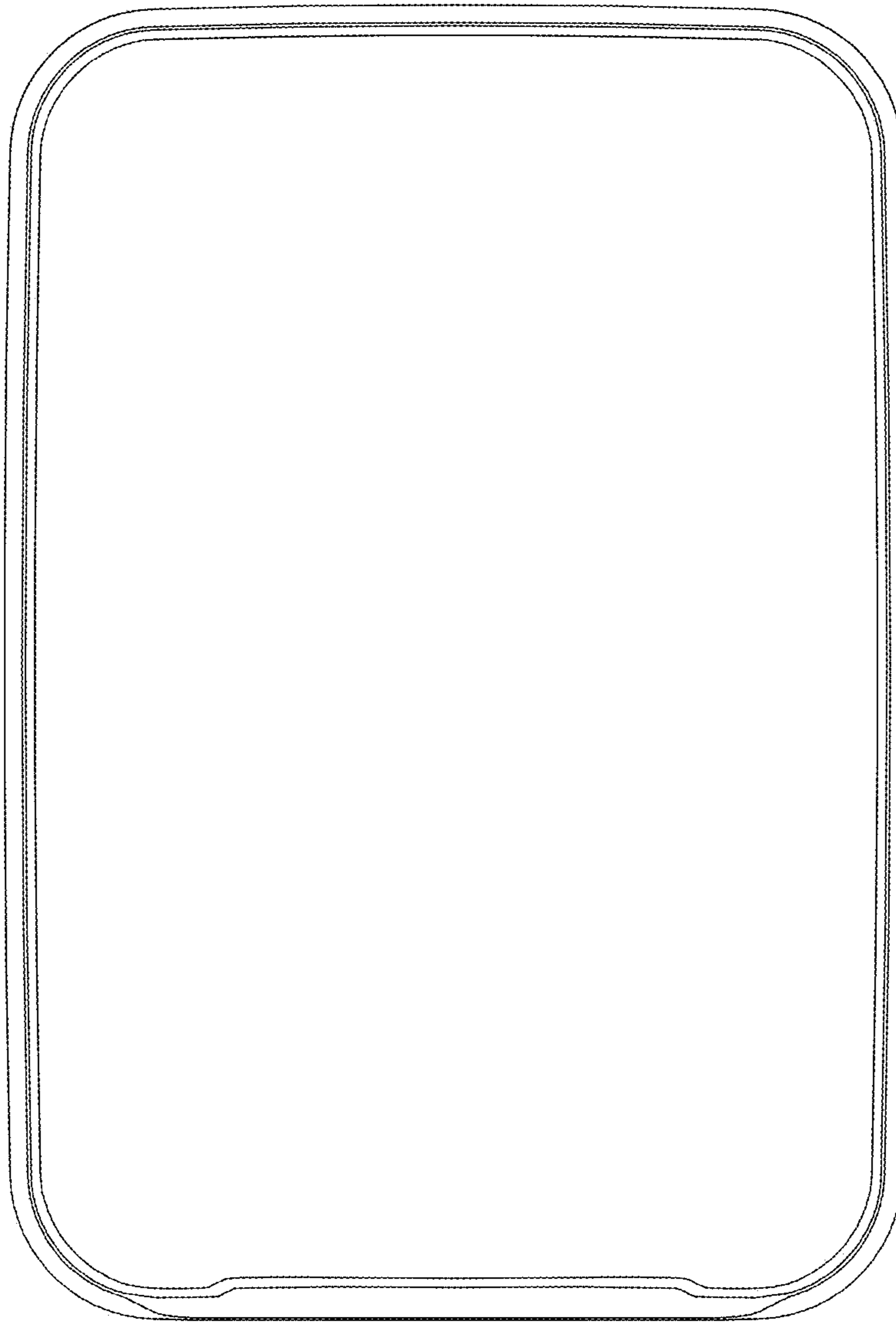


FIG. 7

