



US00D969421S

(12) **United States Design Patent** (10) **Patent No.:** **US D969,421 S**
Zhang (45) **Date of Patent:** **** Nov. 8, 2022**

(54) **DOG LEASH**

FOREIGN PATENT DOCUMENTS

(71) Applicant: **Shenzhen Huoxun Technology Co., Ltd.**, Guangdong (CN)

CN 305218930 * 6/2019
CN 305762345 * 5/2020
CN 305930978 * 7/2020

(72) Inventor: **Zhiping Zhang**, Guangdong (CN)

OTHER PUBLICATIONS

(**) Term: **15 Years**

Iokheira 6Ft_4Ft Dog Leash Rope for Large Dogs, available in Amazon.com, date first available May 12, 2020 [online], [site visited Aug. 16, 2022], Available from the internet URL: <https://www.amazon.com/IOKHEIRA-Multifunctional-Leashes-Medium-Seatbelt/dp/B088FG6LW4/> (Year: 2020).*

(21) Appl. No.: **29/812,751**

(Continued)

(22) Filed: **Oct. 25, 2021**

(51) **LOC (13) Cl.** **30-04**

(52) **U.S. Cl.**
USPC **D30/153**

Primary Examiner — Jennifer L Rempfer
Assistant Examiner — Elizabeth Anne Glassberg

(58) **Field of Classification Search**
USPC D10/72; D30/145, 152, 153
CPC A01K 25/00; A01K 27/00; A01K 27/001;
A01K 27/002; A01K 27/003; A01K
27/004; A01K 27/005

(57) **CLAIM**

The ornamental design for a dog leash, as shown and described.

See application file for complete search history.

DESCRIPTION

(56) **References Cited**

U.S. PATENT DOCUMENTS

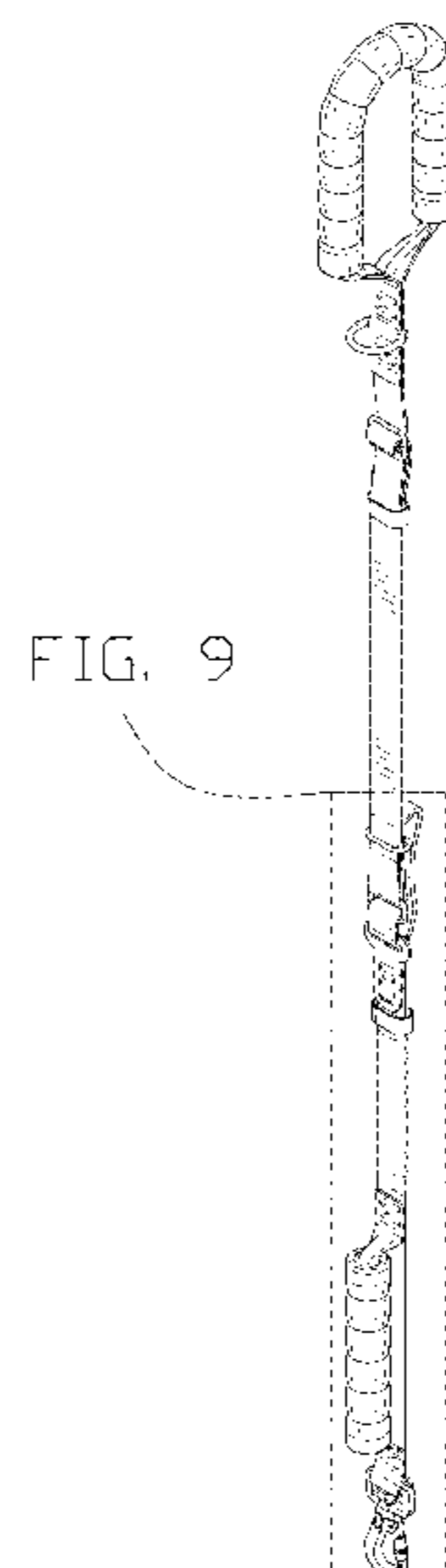
D374,518 S *	10/1996	McIntyre	D30/153
D388,558 S *	12/1997	Miller	D30/153
5,732,660 A *	3/1998	David	A01K 25/00
				119/831
D669,233 S *	10/2012	Ranstead	D30/153
D699,405 S	2/2014	McKinnell		
D699,406 S *	2/2014	Stolte	D30/153
D749,276 S *	2/2016	Krysak	D30/153
D925,841 S	7/2021	Zhou		
11,369,086 B1 *	6/2022	Riffeser	A01K 27/003
2006/0102103 A1 *	5/2006	Fountoulakis	A01K 27/003
				119/795
2010/0269764 A1 *	10/2010	Rogers	A01K 27/003
				119/797
2011/0083616 A1 *	4/2011	Elkins	A01K 27/003
				40/303

FIG. 1 is a front and top perspective view of a dog leash, showing my new design;
FIG. 2 is a rear and bottom perspective view thereof;
FIG. 3 is a front elevation view thereof;
FIG. 4 is a rear elevation view thereof;
FIG. 5 is a left side elevation view thereof;
FIG. 6 is a right side elevation view thereof;
FIG. 7 is a top plan view thereof;
FIG. 8 is a bottom plan view thereof; and
FIG. 9 is an enlarged view of a portion labeled, 'FIG. 9' in FIG. 1; and,
FIG. 10 is an enlarged view of a portion labeled, 'FIG. 10' in FIG. 2.

The broken lines in the figures illustrate portions of the dog leash that form no part of the claimed design. The dash dot dash lines in FIGS. 1, 2, 9 and 10 are for the purpose of depicting the boundary lines of the enlarged views and form no part of the claimed design.

(Continued)

1 Claim, 10 Drawing Sheets



(56)

References Cited

U.S. PATENT DOCUMENTS

2013/0192539 A1* 8/2013 Woodruff A01K 27/005
119/798
2014/0096721 A1* 4/2014 Millard A01K 27/001
119/792
2015/0189860 A1* 7/2015 Peterson A01K 27/003
119/793
2016/0278344 A1* 9/2016 Fang A01K 27/003
2017/0245470 A1* 8/2017 Renforth A01K 27/003
2018/0332827 A1* 11/2018 Neffendorf A01K 27/004
2018/0359997 A1* 12/2018 Hogg A01K 27/003
2019/0297852 A1* 10/2019 Mann A01K 27/003
2020/0214260 A1* 7/2020 Beck A01K 27/001
2020/0329676 A1* 10/2020 Sanchies A01K 27/004

OTHER PUBLICATIONS

Tenflyer Tactical Dog Leash for Medium Large Dogs, available in Amazon.com, date first available Oct. 30, 2020 [online], [site visited Aug. 16, 2022], Available from the internet URL: <https://www.amazon.com/Tenflyer-Multifunctional-Reflective-Anti-Pull-Absorption/dp/B08M956VDL> (Year: 2020).*

* cited by examiner

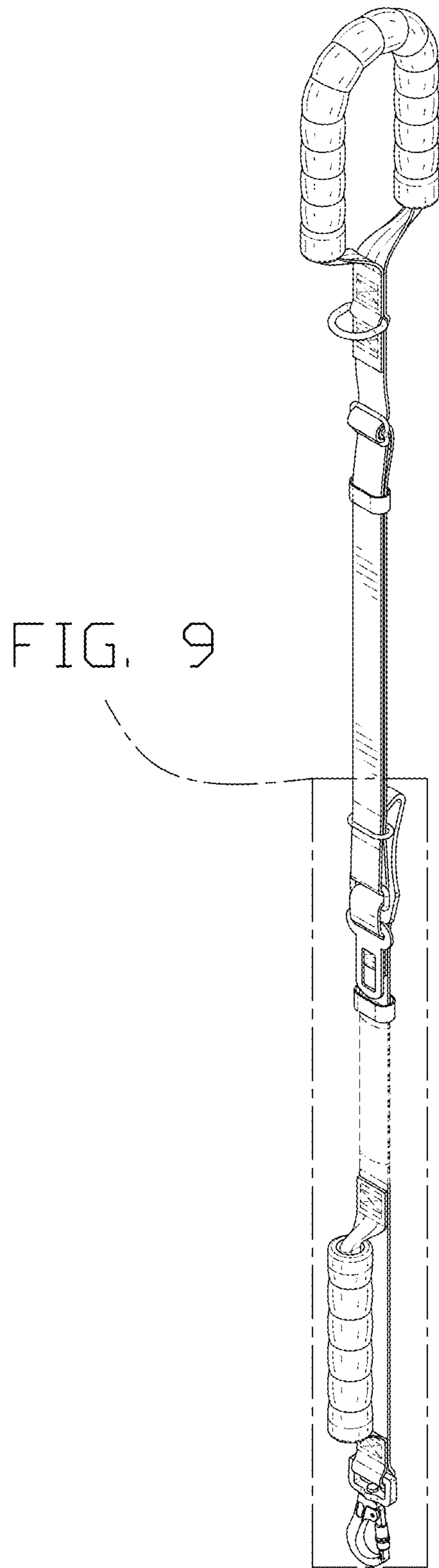


FIG. 1

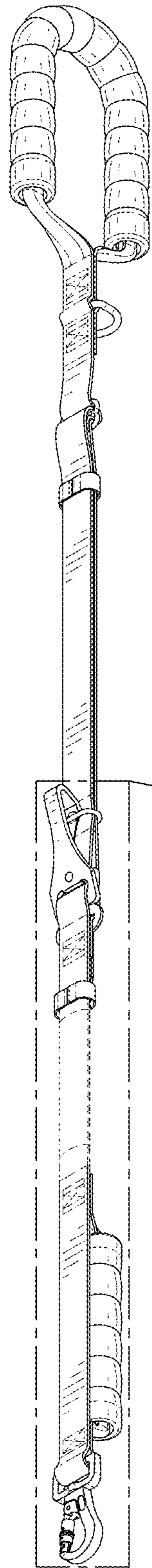


FIG. 10

FIG. 2

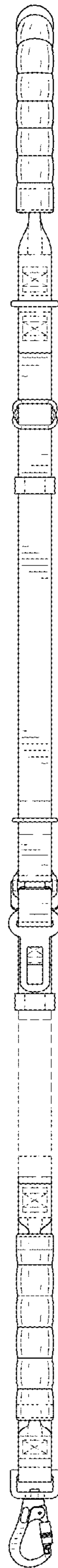


FIG. 3

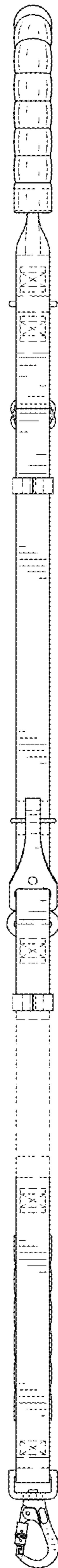


FIG. 4

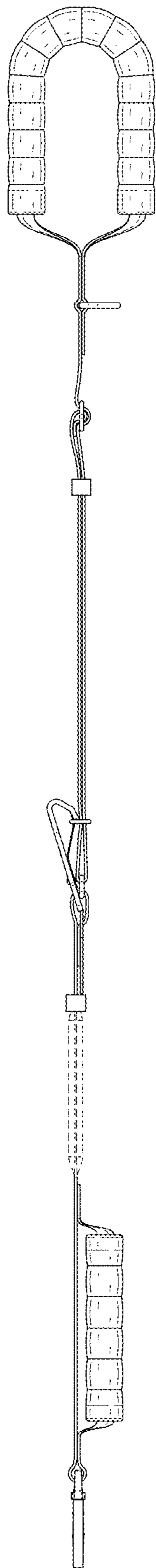


FIG. 5

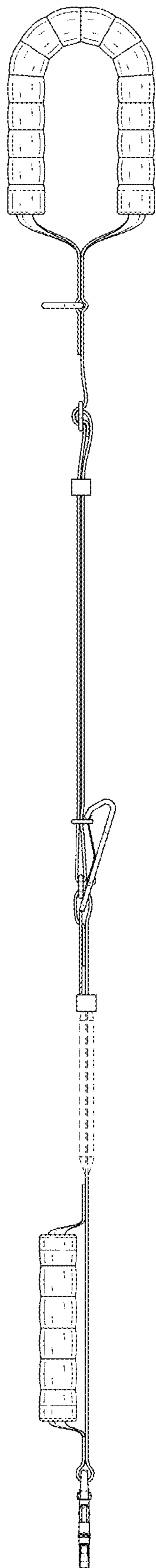


FIG. 6

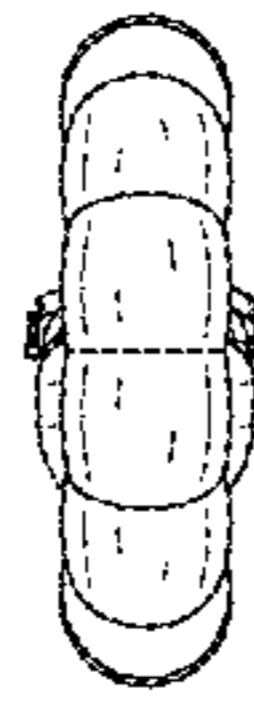


FIG. 7

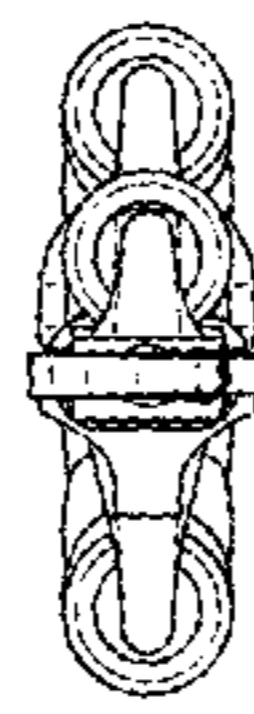


FIG. 8

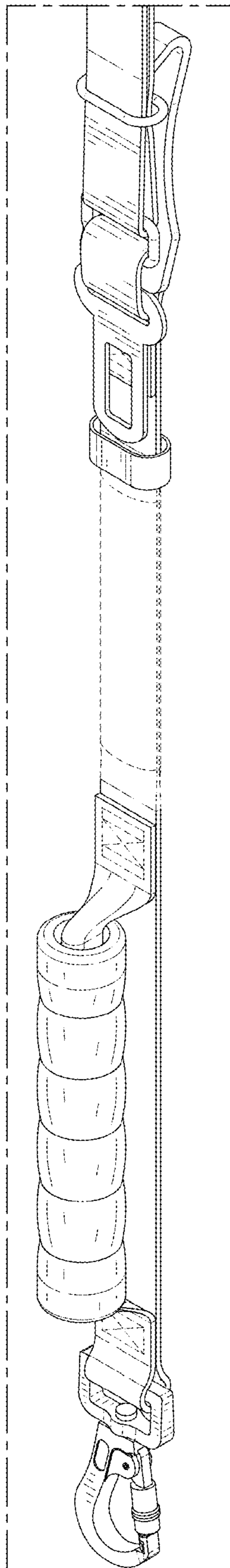


FIG. 9

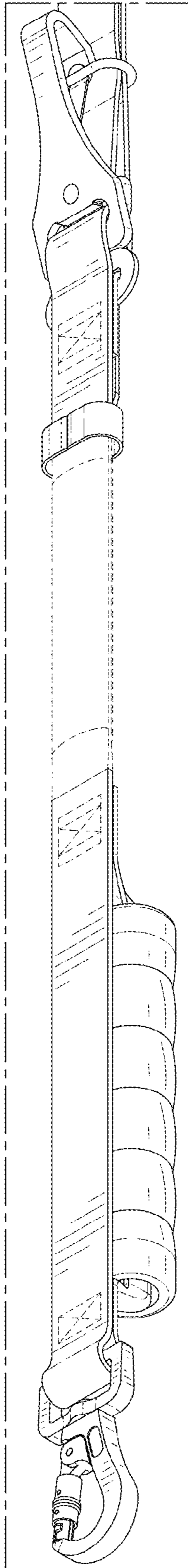


FIG. 10