



US00D969418S

(12) **United States Design Patent**
Madden

(10) **Patent No.:** **US D969,418 S**

(45) **Date of Patent:** **** Nov. 8, 2022**

(54) **TURNLOCK**

(71) Applicant: **Mandy Madden**, Los Angeles, CA
(US)

(72) Inventor: **Mandy Madden**, Los Angeles, CA
(US)

(73) Assignee: **PAGERIE, LLC**, Los Angeles, CA
(US)

(**) Term: **15 Years**

(21) Appl. No.: **29/741,421**

(22) Filed: **Jul. 13, 2020**

(51) **LOC (13) Cl.** **30-04**

(52) **U.S. Cl.**
USPC **D30/152**

(58) **Field of Classification Search**
USPC D30/151, 152, 153, 154, 199; D11/222,
D11/226, 231; D8/337, 336
CPC ... A44B 11/12; A44B 11/2542; A44B 99/005;
A01K 27/001; A01K 27/005
See application file for complete search history.

(56) **References Cited**

U.S. PATENT DOCUMENTS

- 2,879,572 A * 3/1959 Twogood A44B 99/005
24/DIG. 57
- D323,776 S * 2/1992 Hansen D8/338
- 5,732,575 A * 3/1998 Kaveney E05B 17/183
16/337
- 6,467,134 B1 * 10/2002 Stroud A44B 11/06
224/258
- 6,711,787 B2 * 3/2004 Jungkind A43C 11/165
24/71 SK
- D607,617 S * 1/2010 Golenz D30/152

- D639,636 S * 6/2011 Krakoff D8/338
- 8,925,982 B2 * 1/2015 Bliding G07C 9/00944
292/144
- 9,482,257 B2 * 11/2016 Junggebauer F16B 21/04

OTHER PUBLICATIONS

Design U.S. Appl. No. 29/804,340, filed Aug. 19, 2021 in the name of Mandy Madden.
Aug. 16, 2022 Office Action issued in Japanese Patent Application No. 2022-003150.

* cited by examiner

Primary Examiner — Doris Clark
(74) *Attorney, Agent, or Firm* — Oliff PLC

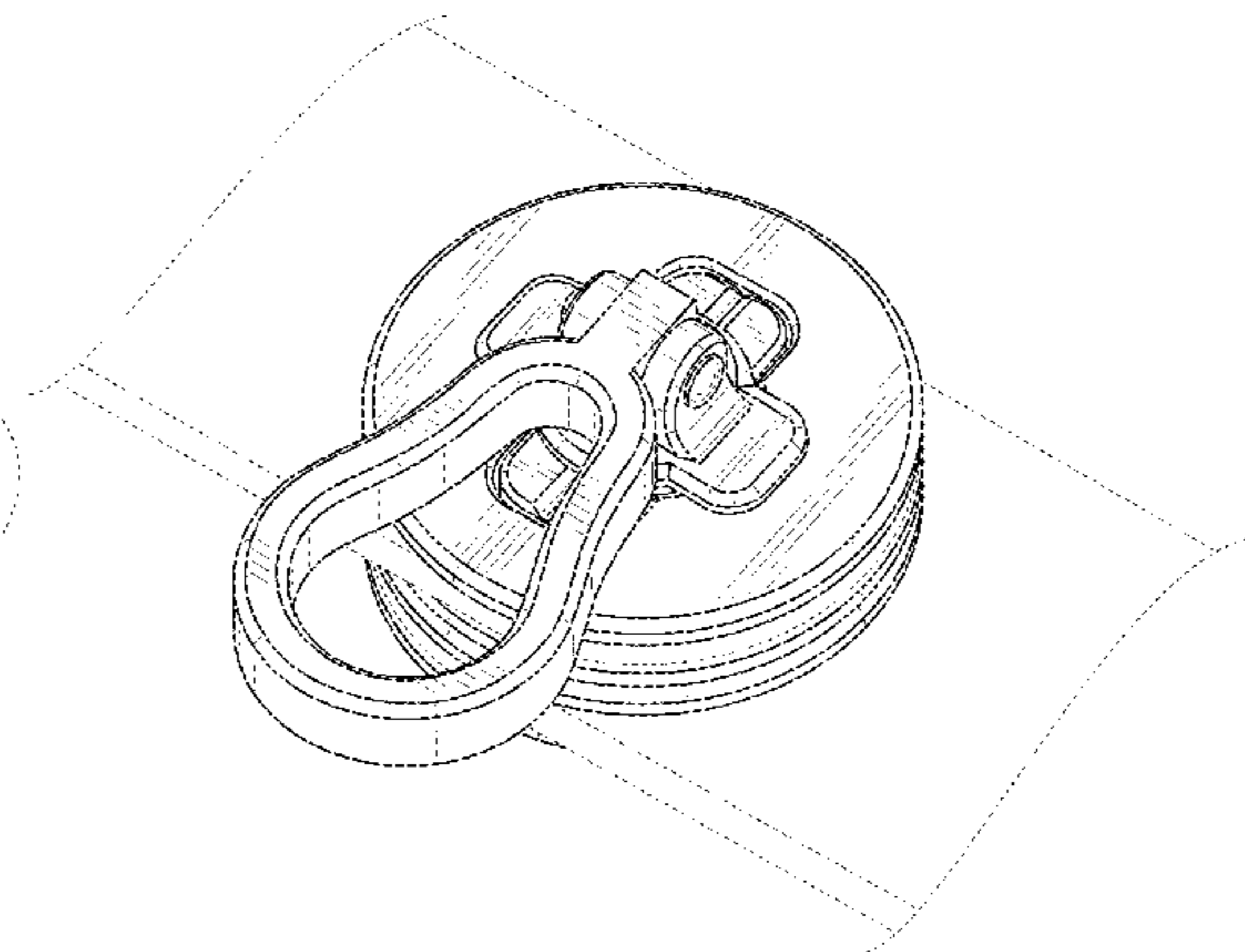
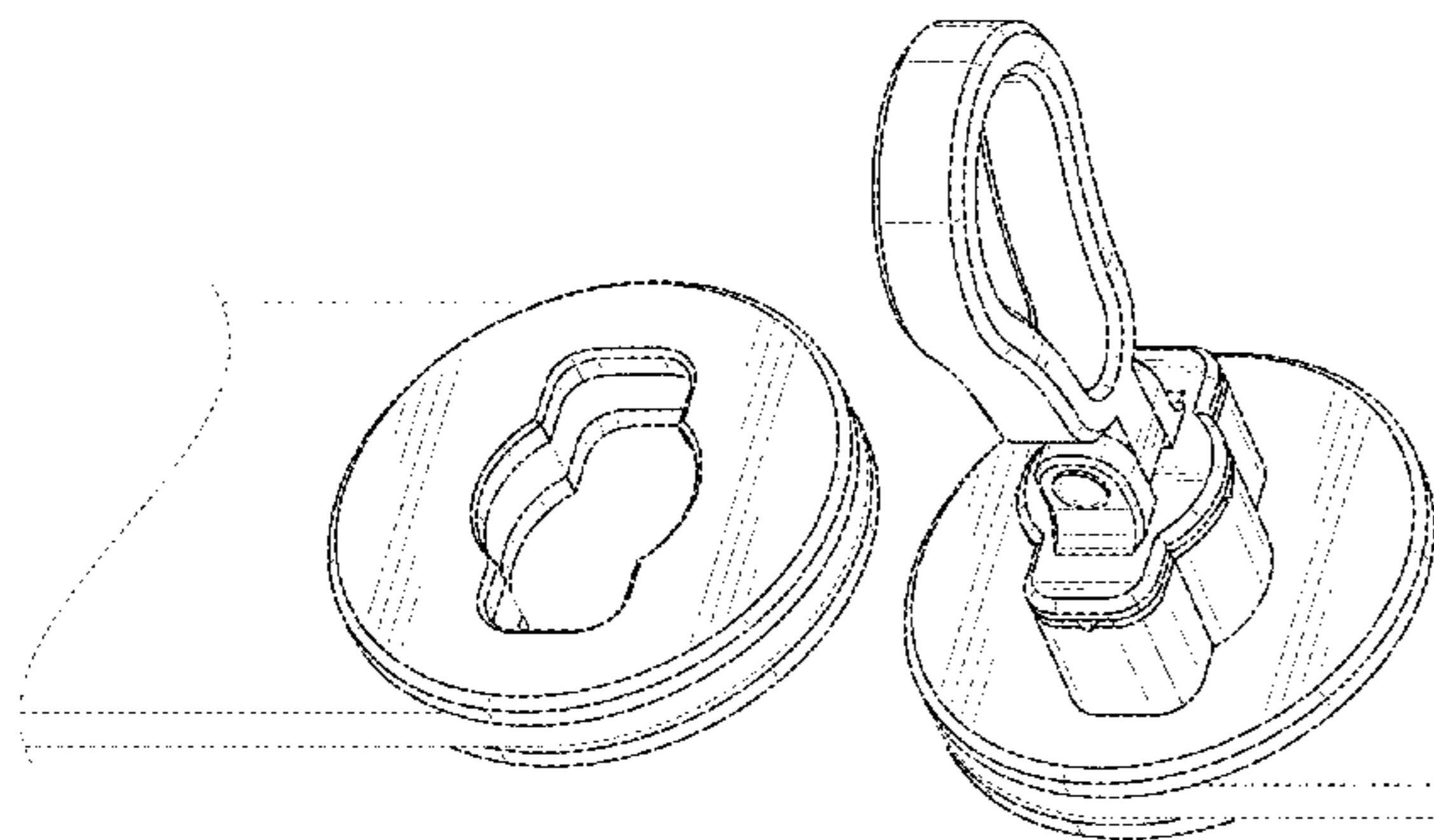
(57) **CLAIM**

The ornamental design for a turnlock, as shown and described.

DESCRIPTION

FIG. 1 is a front, bottom perspective view of the turnlock; FIG. 2 is a front elevational view thereof; FIG. 3 is a rear elevational view thereof; FIG. 4 is a left-side elevational view thereof; FIG. 5 is a right-side elevational view thereof; FIG. 6 is a top plan view thereof; FIG. 7 is a bottom plan view thereof; FIG. 8 is front, bottom perspective view thereof in a first alternative position; FIG. 9 is a rear, top perspective view thereof in the first alternative position; and, FIG. 10 is front, bottom perspective view thereof in a second alternative position.
The evenly spaced broken lines depict environmental subject matter only and form no part of the claimed design.

1 Claim, 10 Drawing Sheets



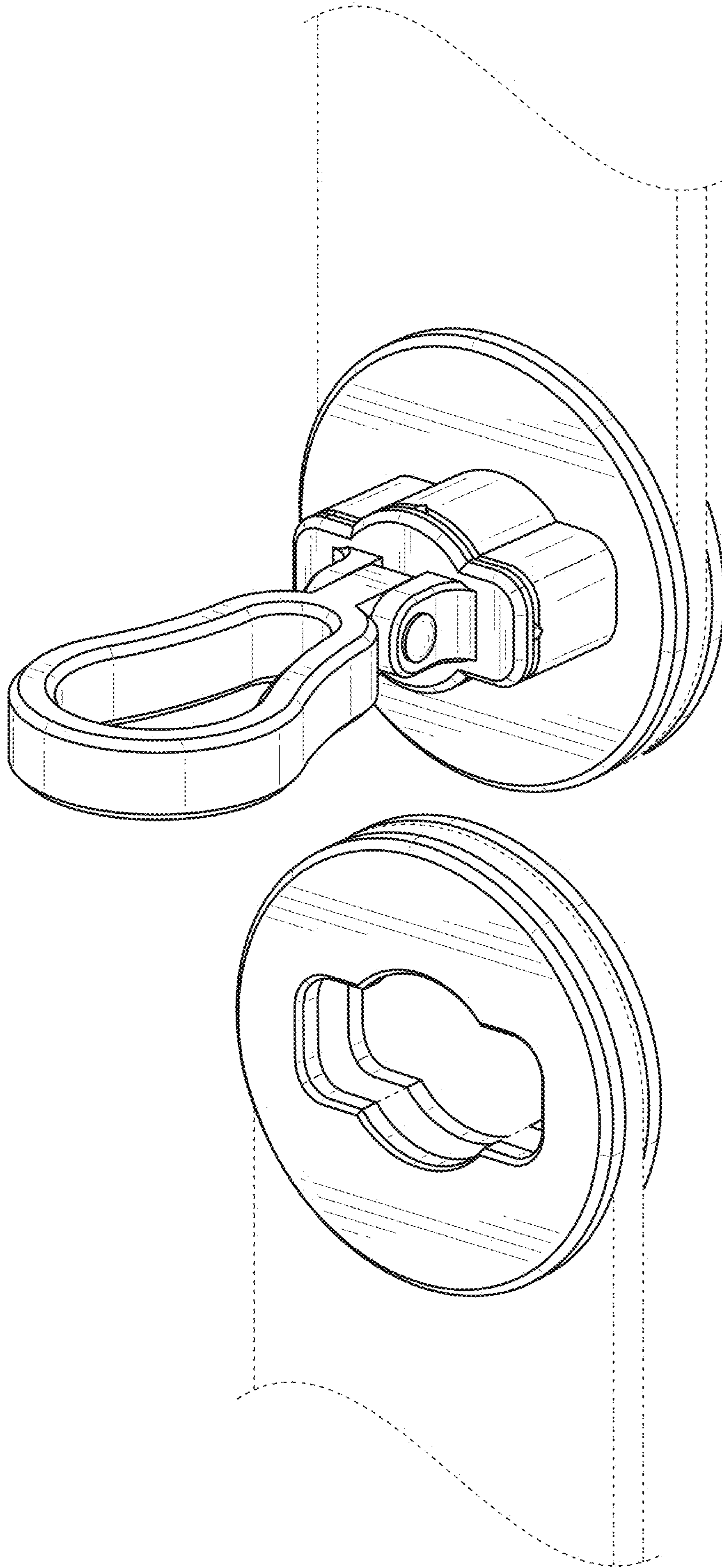


FIG. 1

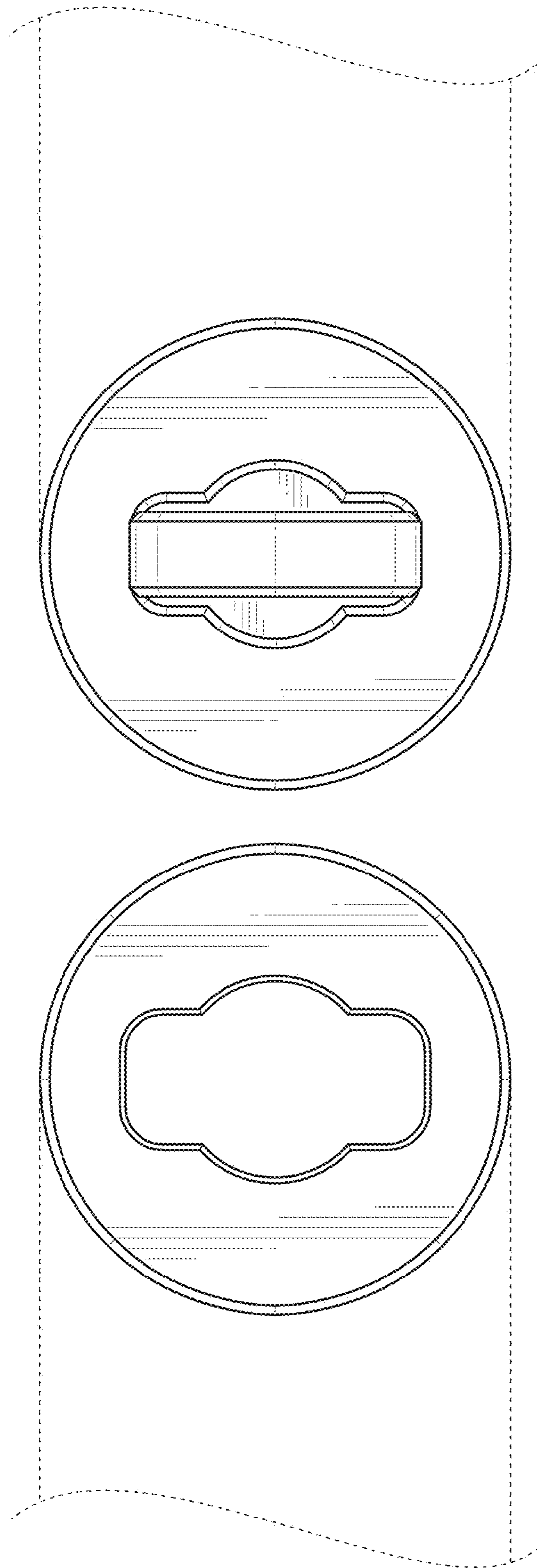


FIG. 2

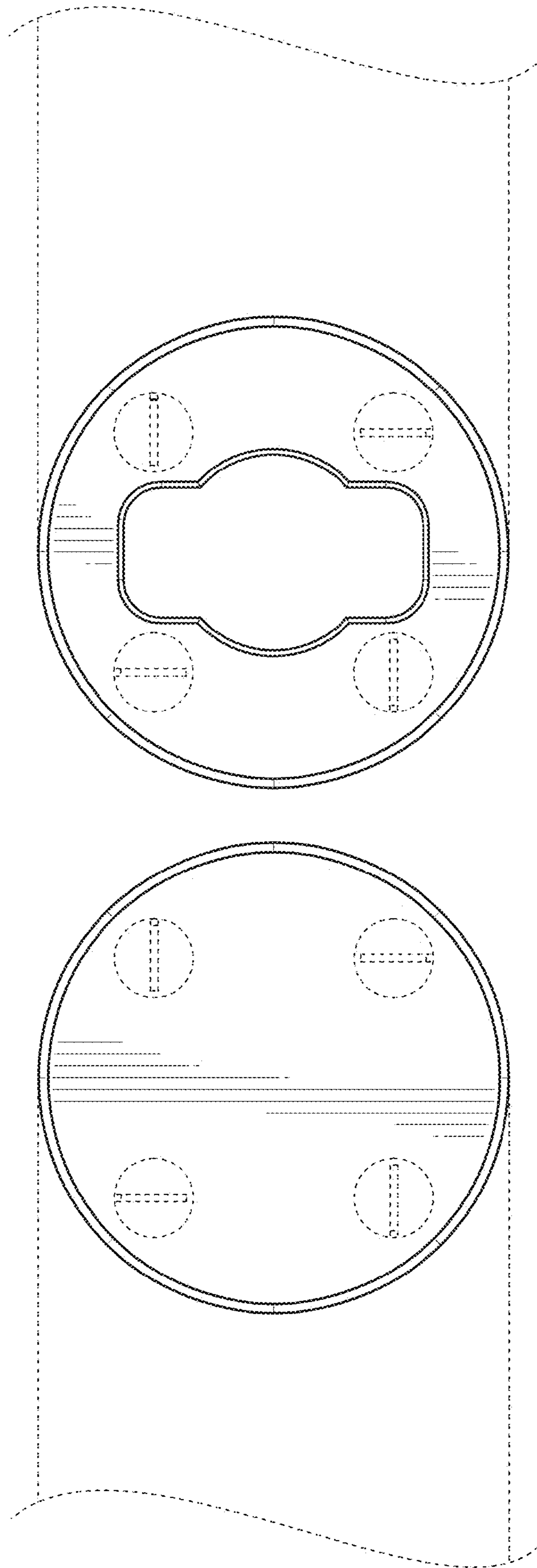


FIG. 3

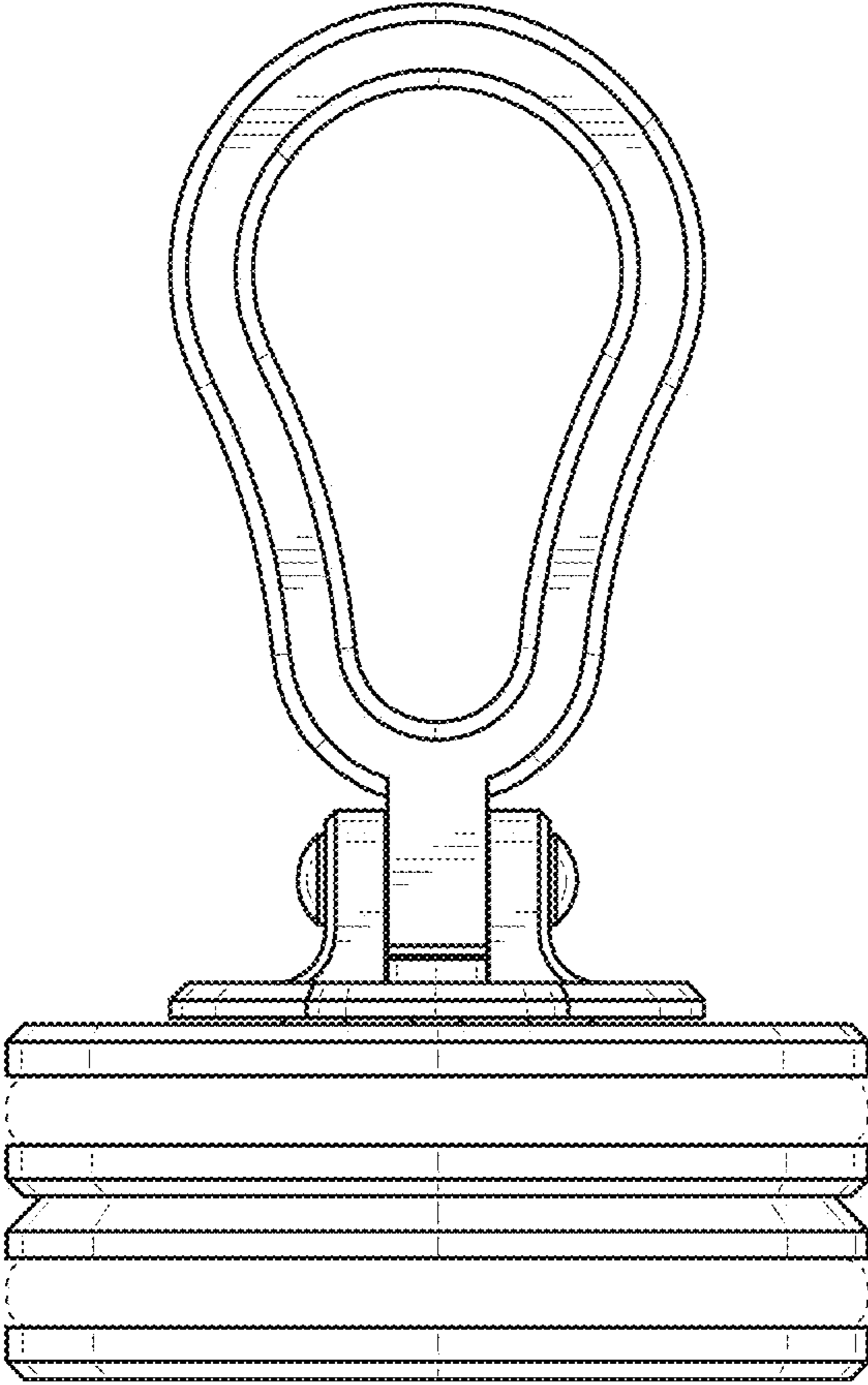


FIG. 4

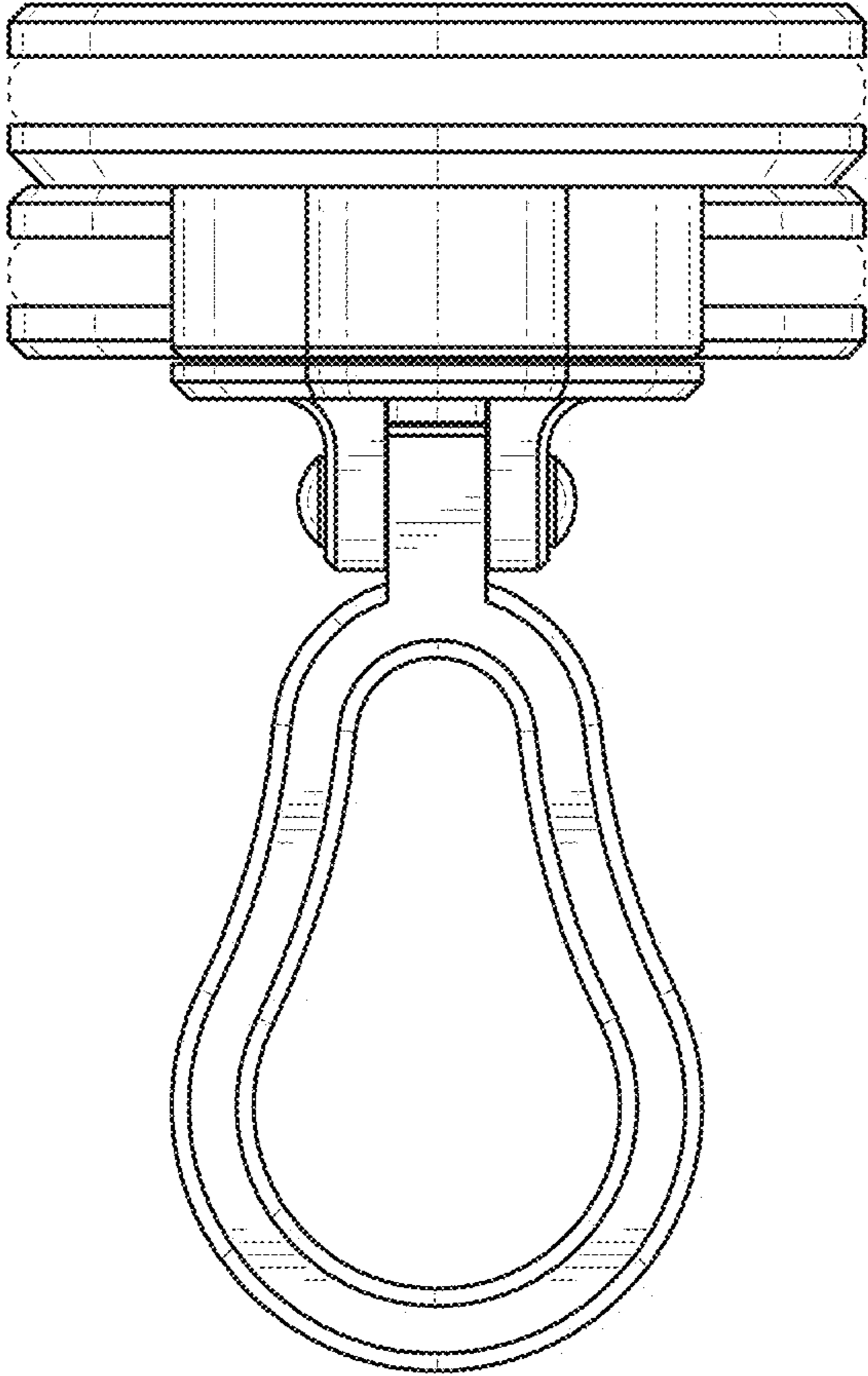


FIG. 5

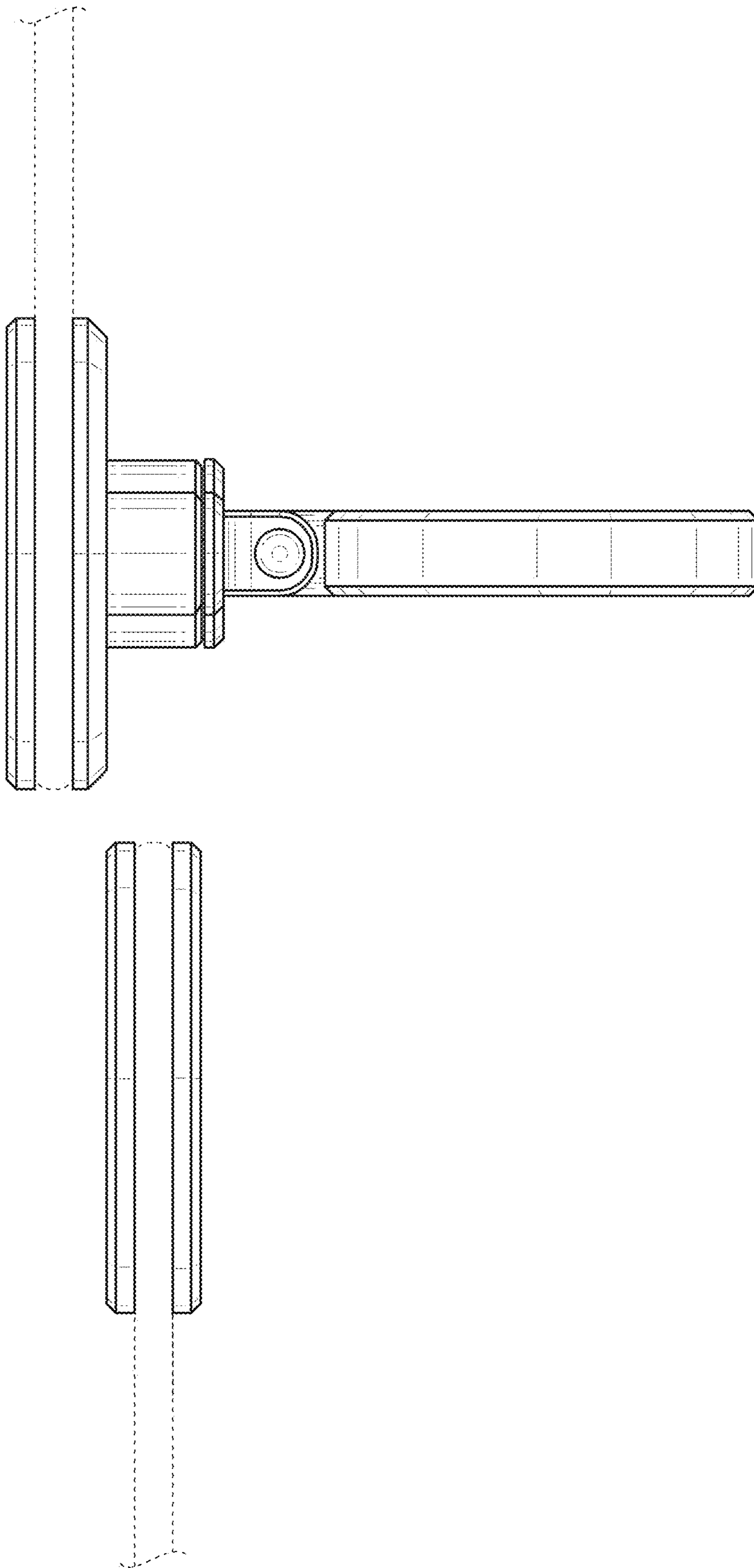


FIG. 6

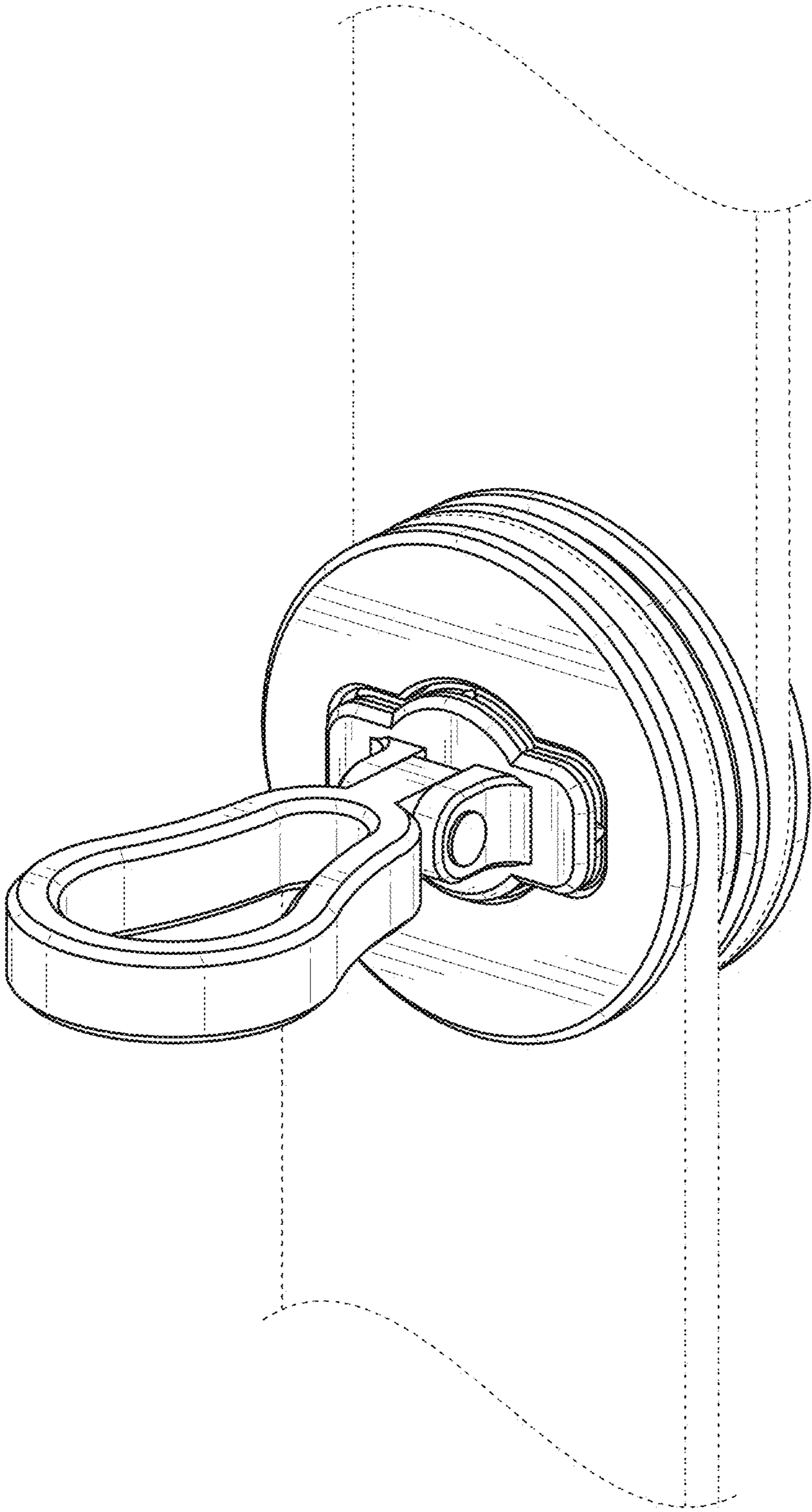


FIG. 8

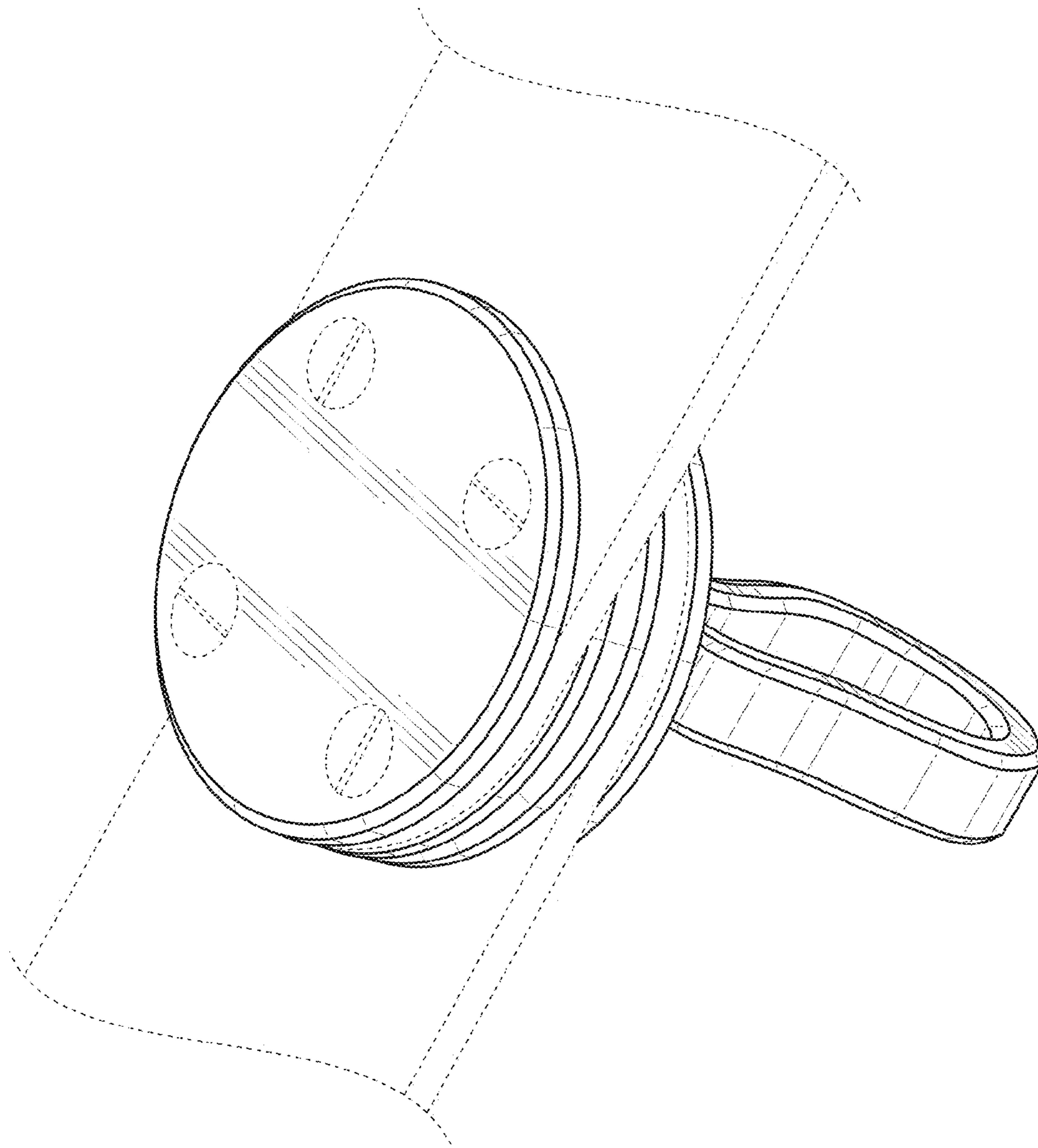


FIG. 9

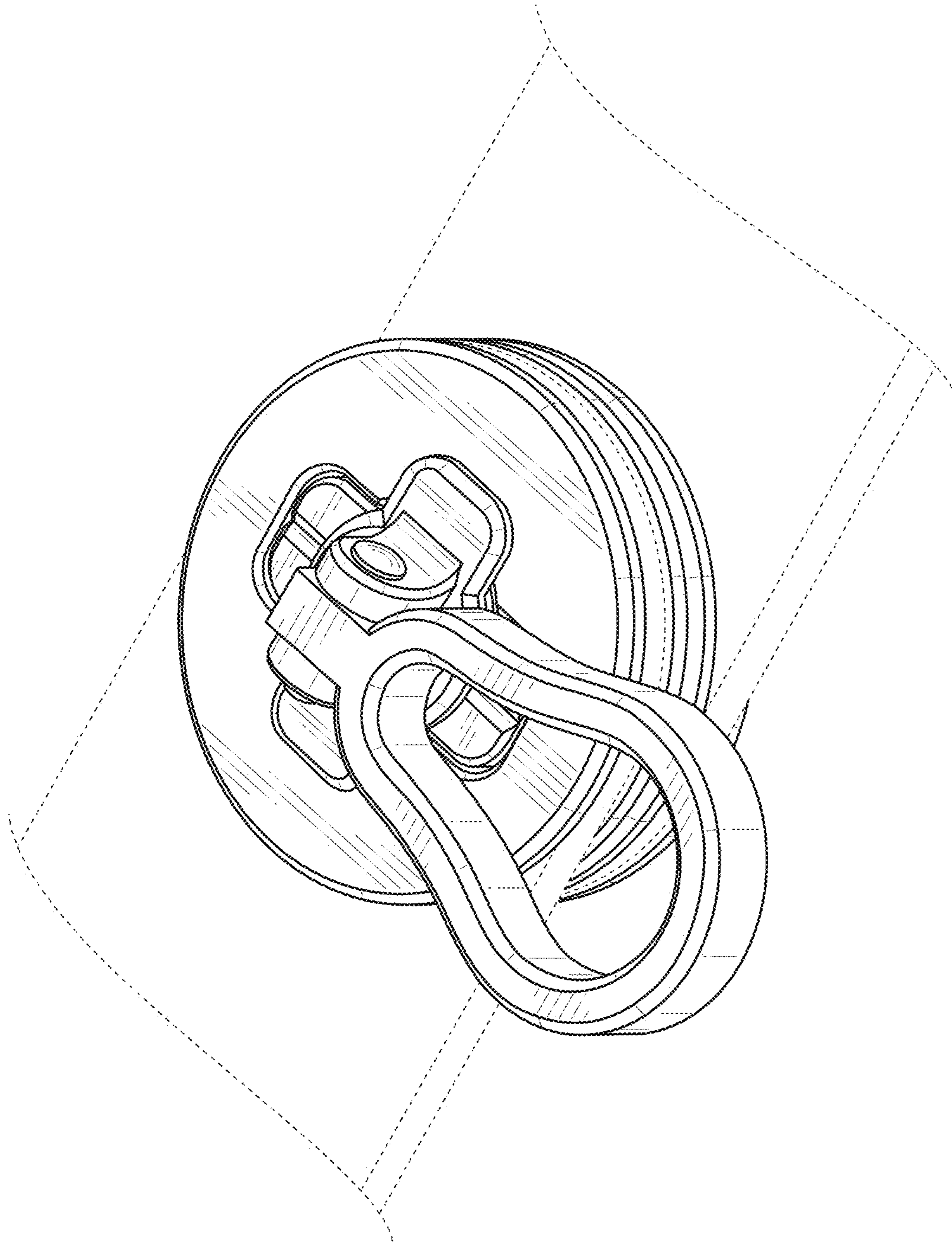


FIG. 10