

US00D969416S

(12) **United States Design Patent** (10) **Patent No.:** **US D969,416 S**  
**Ren** (45) **Date of Patent:** **\*\* Nov. 8, 2022**

(54) **PET FEEDER**

A01K 5/0258; A01K 5/0142; A01K 5/0233; A01K 29/00;

(71) Applicant: **SHENZHEN KEEKOONVISION TECHNOLOGY CO., LTD.**, Shenzhen (CN)

(Continued)

(72) Inventor: **Zeming Ren**, Shenzhen (CN)

(56) **References Cited**

(73) Assignee: **SHENZHEN KEEKOONVISION TECHNOLOGY CO., LTD.**, Shenzhen (CN)

U.S. PATENT DOCUMENTS

3,085,718 A \* 4/1963 Nelson ..... A47F 1/08  
222/437  
3,112,733 A \* 12/1963 Arnott ..... A01K 7/02  
119/77

(\*\*) Term: **15 Years**

(Continued)

(21) Appl. No.: **29/797,033**

*Primary Examiner* — Susan Moon Lee

(22) Filed: **Jun. 29, 2021**

(57) **CLAIM**

(51) **LOC (13) Cl.** ..... **30-07**

The ornamental design for a pet feeder, as shown and described.

(52) **U.S. Cl.**

USPC ..... **D30/122**

(58) **Field of Classification Search**

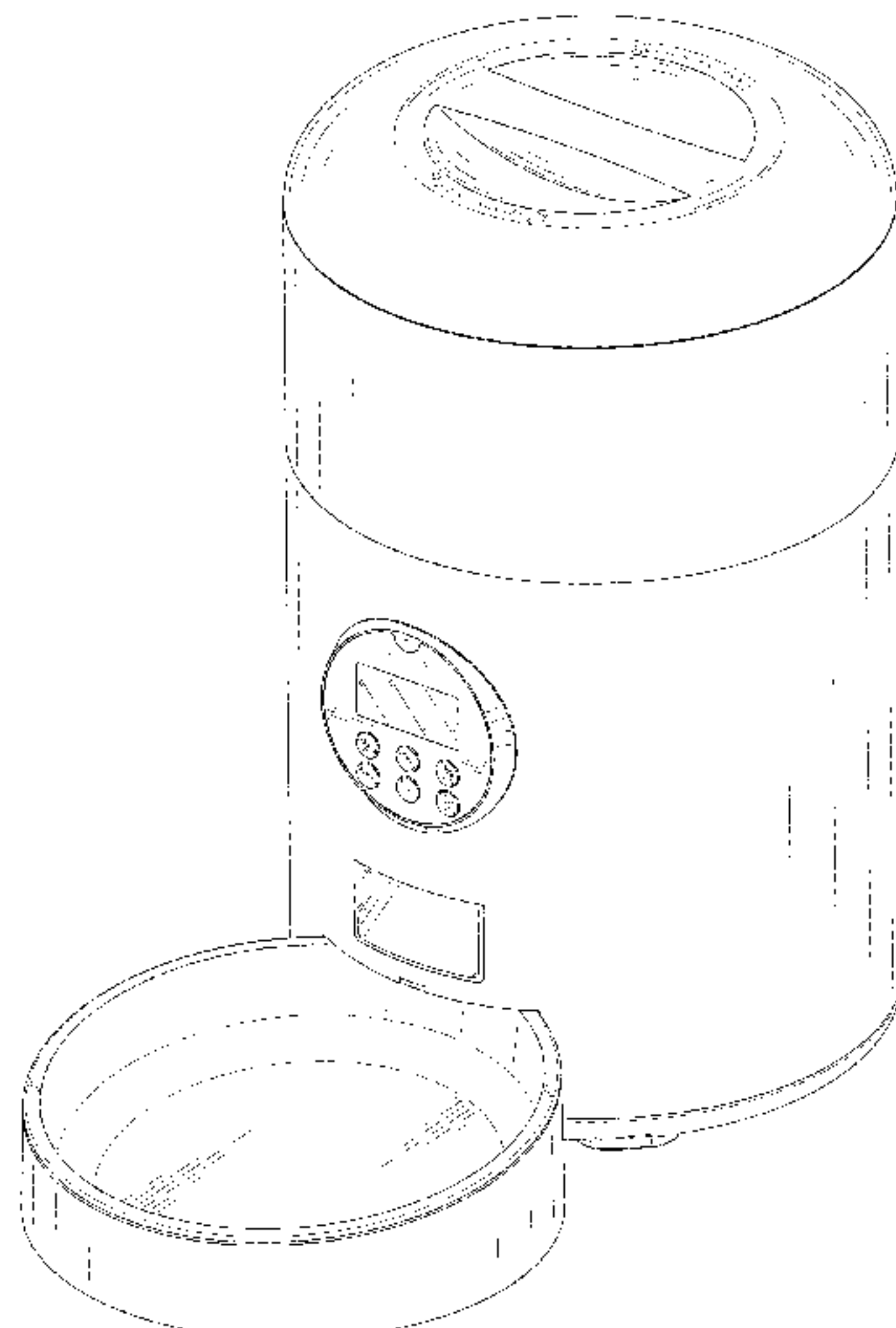
**DESCRIPTION**

USPC ..... D30/121, 122, 129–133, 120; 119/61.5, 119/51.01, 61.56, 51.03, 59, 62, 63, 51.5, 119/57.8, 74, 61.54, 61.55, 53, 53.5, 75, 119/56.2, 51.02, 51.11, 51.12, 57.1, 52.1, 119/515; 312/204; 248/151, 188; 108/153.1–157; 220/23.87, 630, 737, 220/743, 9.4, 495.01, 574, 212, 255, 220/23.83; 206/515; D7/586, 543, D7/550.1, 587, 505, 584, 545, 500, D7/553.1–553.8, 546, 555, 556, 504, 565, D7/562, 602, 605, 312, 313, 320, 307, D7/306, 309, 354, 311, 399, 397, 323, D7/332, 331, 347, 346, 322, 318, 317, D7/316, 619.1; D9/429; 43/109; D22/122; 99/430, DIG. 15, 280, 285, 99/312; 222/209, 131, 363, 349, 517, 222/153.13, 401, 1, 146.5, 23, 54, 64, 51, 222/156, 399, 400.8; 219/438, 439, 441, 219/385, 386, 402, 407; 210/94, 184, 210/474, 477; D15/199; D21/578

CPC ..... A01K 5/02; A01K 5/0225; A01K 5/0114; A01K 5/025; A01K 5/0266; A01K 5/0275; A01K 5/0283; A01K 5/0291;

FIG. 1 is a perspective view of a first embodiment of a pet feeder showing my new design;  
FIG. 2 is another perspective view thereof;  
FIG. 3 is a front elevational view thereof;  
FIG. 4 is a rear elevational view thereof;  
FIG. 5 is a left side elevational view thereof;  
FIG. 6 is a right side elevational view thereof;  
FIG. 7 is a top plan view thereof;  
FIG. 8 is a bottom plan view thereof;  
FIG. 9 is a perspective view of a second embodiment of the pet feeder showing my new design;  
FIG. 10 is another perspective view thereof;  
FIG. 11 is a front elevational view thereof;  
FIG. 12 is a rear elevational view thereof;  
FIG. 13 is a left side elevational view thereof;  
FIG. 14 is a right side elevational view thereof;  
FIG. 15 is a top plan view thereof; and,  
FIG. 16 is a bottom plan view thereof.  
The broken lines in the drawings depict portions of the pet feeder that form no part of the claimed design.

**1 Claim, 16 Drawing Sheets**



# US D969,416 S

Page 2

## (58) Field of Classification Search

CPC ..... A01K 7/00; G01F 11/24; G01F 23/02;  
B67D 1/0425; B67D 1/04; B67D 1/00;  
B67D 1/02; B67D 1/0871; B67D 1/0802;  
A47J 41/0033; A47J 41/005; A47J  
41/0088; A47J 41/0094; A47J 31/04;  
A47J 31/053; B05B 11/00; B05B  
11/0002; B05B 11/0005; B05B 11/001;  
C02F 1/003; C02F 1/283; C02F 2307/02

See application file for complete search history.

## (56) References Cited

### U.S. PATENT DOCUMENTS

3,568,893 A \* 3/1971 Becker ..... G01F 11/24  
222/363  
3,720,184 A \* 3/1973 Pearce ..... A01K 5/0225  
119/51.5  
D232,847 S \* 9/1974 Okubo ..... D30/121  
4,721,063 A \* 1/1988 Atchley ..... A01K 5/0114  
D30/132  
4,840,143 A \* 6/1989 Simon ..... A01K 5/0225  
43/131  
5,333,571 A \* 8/1994 Re ..... A01K 5/0291  
119/56.1  
D351,689 S \* 10/1994 VanSkiver ..... D30/132  
D371,643 S \* 7/1996 Lillelund ..... D30/122  
D374,109 S \* 9/1996 Lillelund ..... D30/121  
D374,516 S \* 10/1996 Lillelund ..... D30/132  
5,845,600 A \* 12/1998 Mendes ..... A01K 7/02  
119/51.5  
6,135,056 A \* 10/2000 Kuo ..... A01K 5/0291  
222/413  
6,467,428 B1 \* 10/2002 Andrisin ..... A01K 5/0114  
119/51.5  
6,477,981 B1 \* 11/2002 Harper ..... A01K 5/0225  
119/51.01  
6,739,284 B1 \* 5/2004 Olive ..... A01K 39/0206  
119/72  
6,843,205 B1 \* 1/2005 Segreto ..... A01K 5/0114  
119/515  
7,040,249 B1 \* 5/2006 Mushen ..... A01K 5/0225  
119/51.5  
D563,605 S \* 3/2008 Morris ..... D30/129  
D581,197 S \* 11/2008 Kassenaar ..... D7/309  
D602,301 S \* 10/2009 Romandy ..... 313/309  
D612,658 S \* 3/2010 Schenk ..... D7/307

7,895,973 B1 \* 3/2011 Whelan ..... A01K 5/025  
119/51.02  
7,913,647 B1 \* 3/2011 Martin ..... A01K 7/04  
119/52.1  
7,926,413 B2 \* 4/2011 Hart ..... A47J 31/4403  
399/306  
D645,286 S \* 9/2011 Porebski ..... D7/311  
8,066,206 B1 \* 11/2011 Cotham ..... A01K 5/0225  
239/152  
D664,304 S \* 7/2012 Whelan ..... D30/129  
8,336,493 B1 \* 12/2012 Weber ..... A01K 5/0114  
119/52.1  
D678,624 S \* 3/2013 Willett ..... A01K 5/0142  
D30/132  
D751,774 S \* 3/2016 Allen ..... D30/122  
9,560,833 B2 \* 2/2017 Qiu ..... A01K 7/00  
D801,595 S \* 10/2017 Oates ..... D30/132  
D835,356 S \* 12/2018 Xie ..... D30/122  
D843,665 S \* 3/2019 Zeng ..... D30/122  
D852,431 S \* 6/2019 Ma ..... D30/122  
D876,022 S \* 2/2020 Hua ..... D30/122  
D893,109 S \* 8/2020 Zeng ..... D30/122  
D907,305 S \* 1/2021 Wang ..... D30/122  
D920,592 S \* 5/2021 Tang ..... D30/122  
D923,257 S \* 6/2021 Wu ..... D30/122  
11,160,253 B2 \* 11/2021 Mundell ..... G06T 7/20  
D939,784 S \* 12/2021 Ren ..... D30/122  
D940,404 S \* 1/2022 Dong ..... D30/122  
D945,712 S \* 3/2022 Zeng ..... D30/122  
D945,713 S \* 3/2022 Zeng ..... D30/122  
D946,216 S \* 3/2022 Xiao ..... D30/122  
D947,924 S \* 4/2022 Zheng ..... D16/208  
2007/0012253 A1 \* 1/2007 Zheng ..... A01K 5/02  
119/51.02  
2010/0122660 A1 \* 5/2010 Willett ..... A01K 7/00  
119/61.5  
2011/0197819 A1 \* 8/2011 Montgomery ..... A01K 5/0291  
119/51.11  
2013/0269620 A1 \* 10/2013 Qiu ..... A01K 7/00  
119/56.1  
2014/0083364 A1 \* 3/2014 Anderson ..... A01K 15/021  
119/51.01  
2016/0007564 A1 \* 1/2016 Ma ..... A01K 5/0225  
119/57.1  
2020/0100459 A1 \* 4/2020 Chen ..... A01K 5/0225  
2020/0275634 A1 \* 9/2020 Griswold ..... A01K 5/0225  
2021/0282367 A1 \* 9/2021 Yuan ..... A01K 5/0291  
2021/0289745 A1 \* 9/2021 Tsai ..... A01K 5/0225  
2021/0315185 A1 \* 10/2021 Qiu ..... A01K 15/021

\* cited by examiner

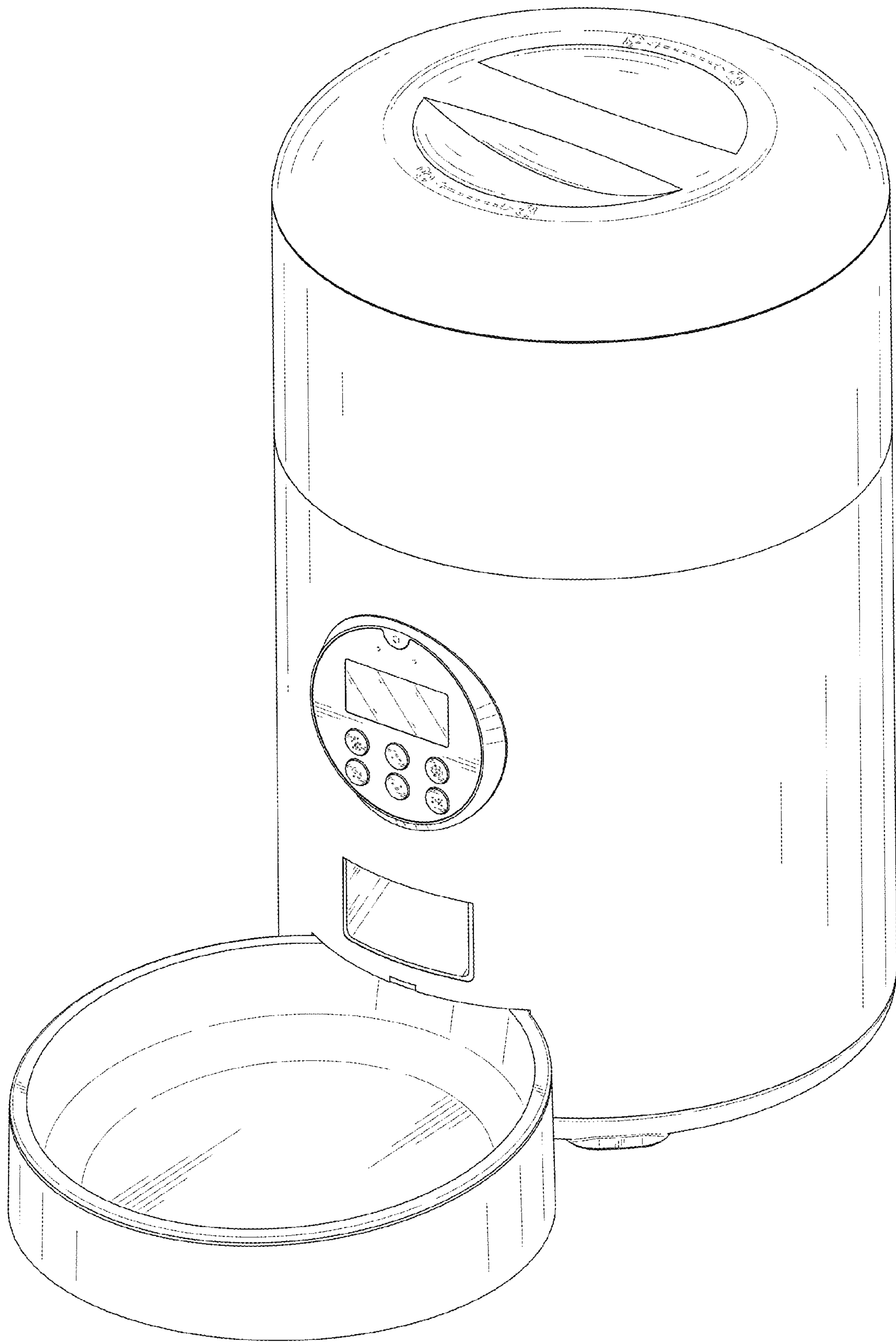


FIG. 1



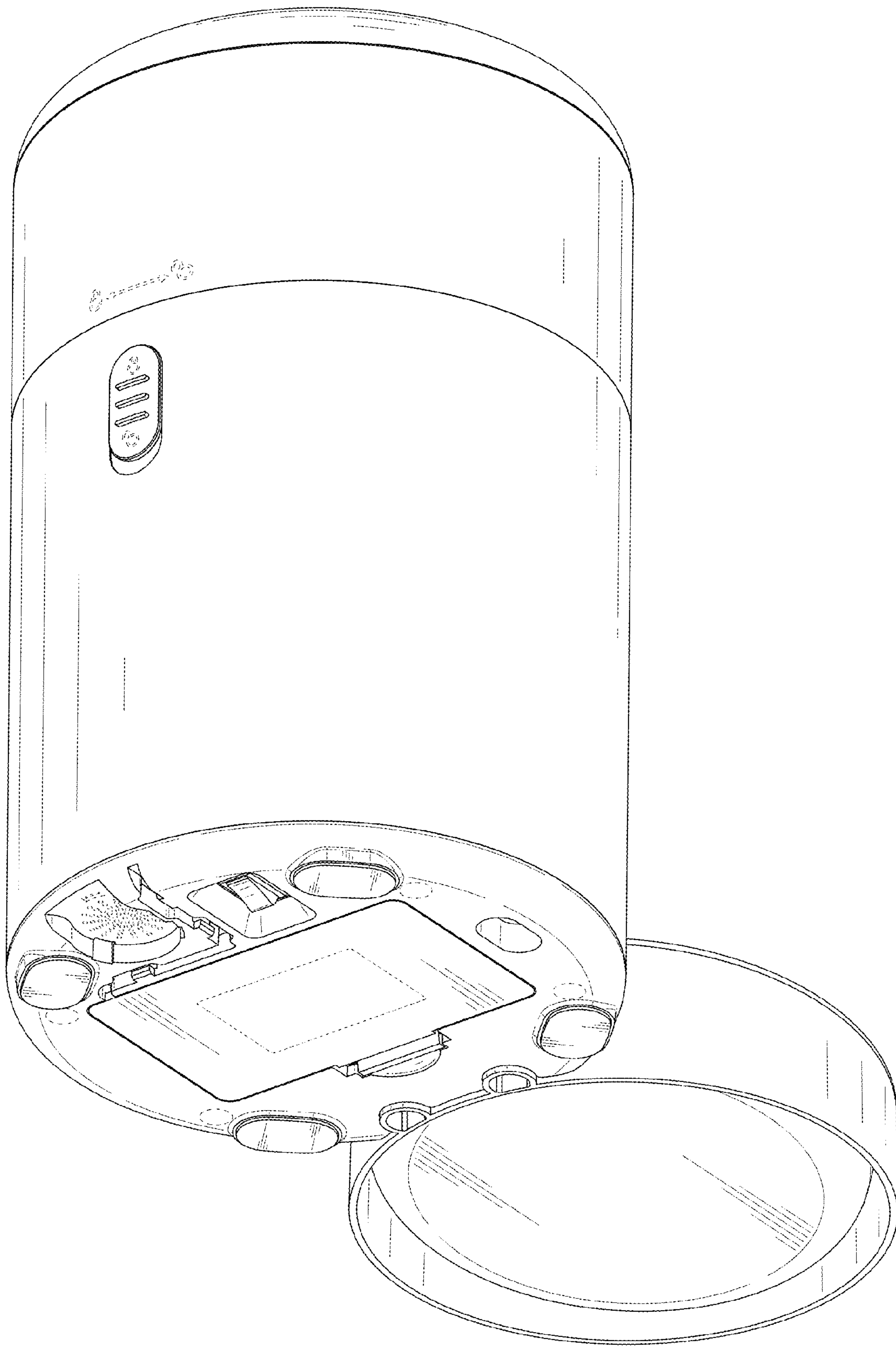


FIG. 2

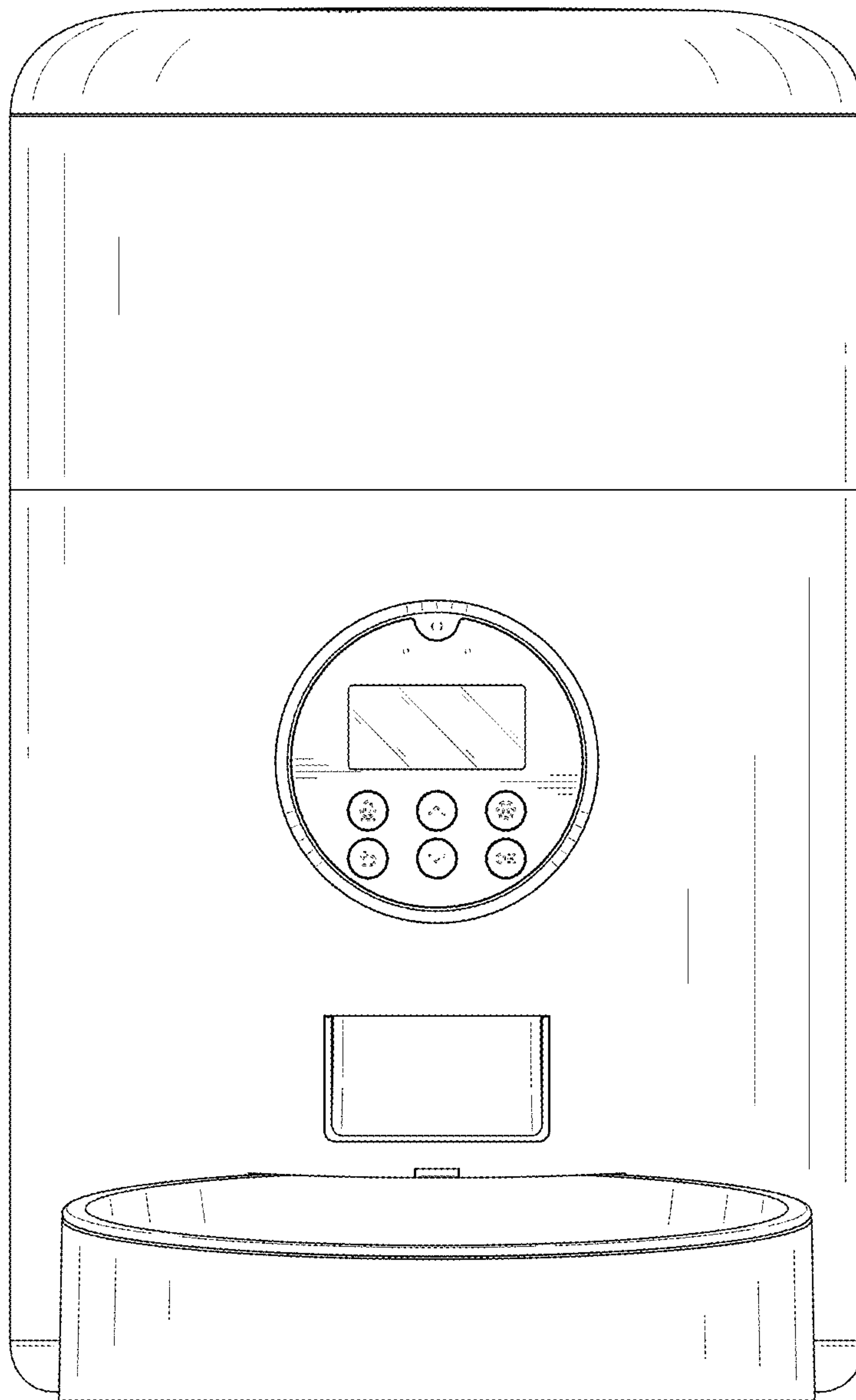


FIG. 3

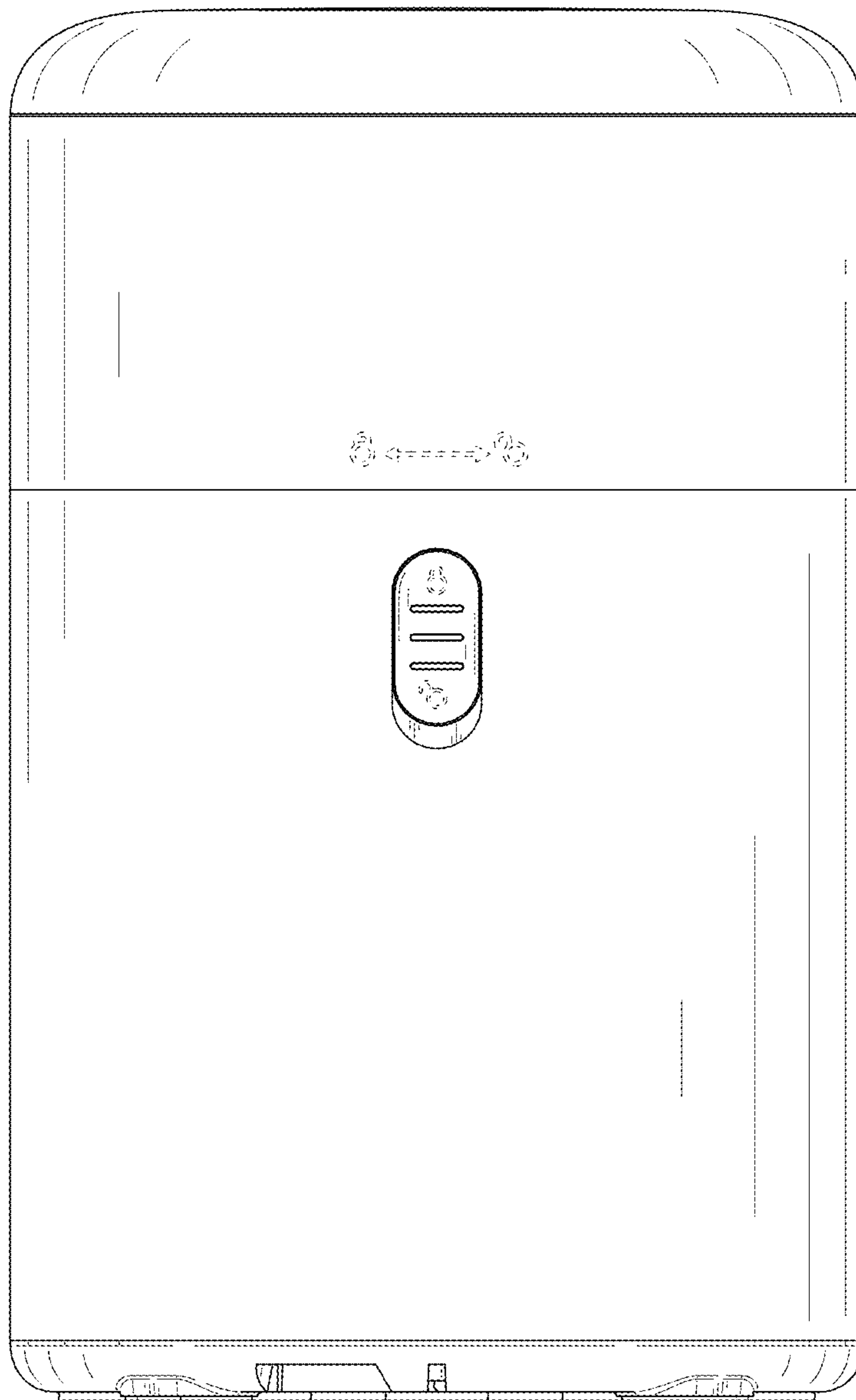


FIG. 4

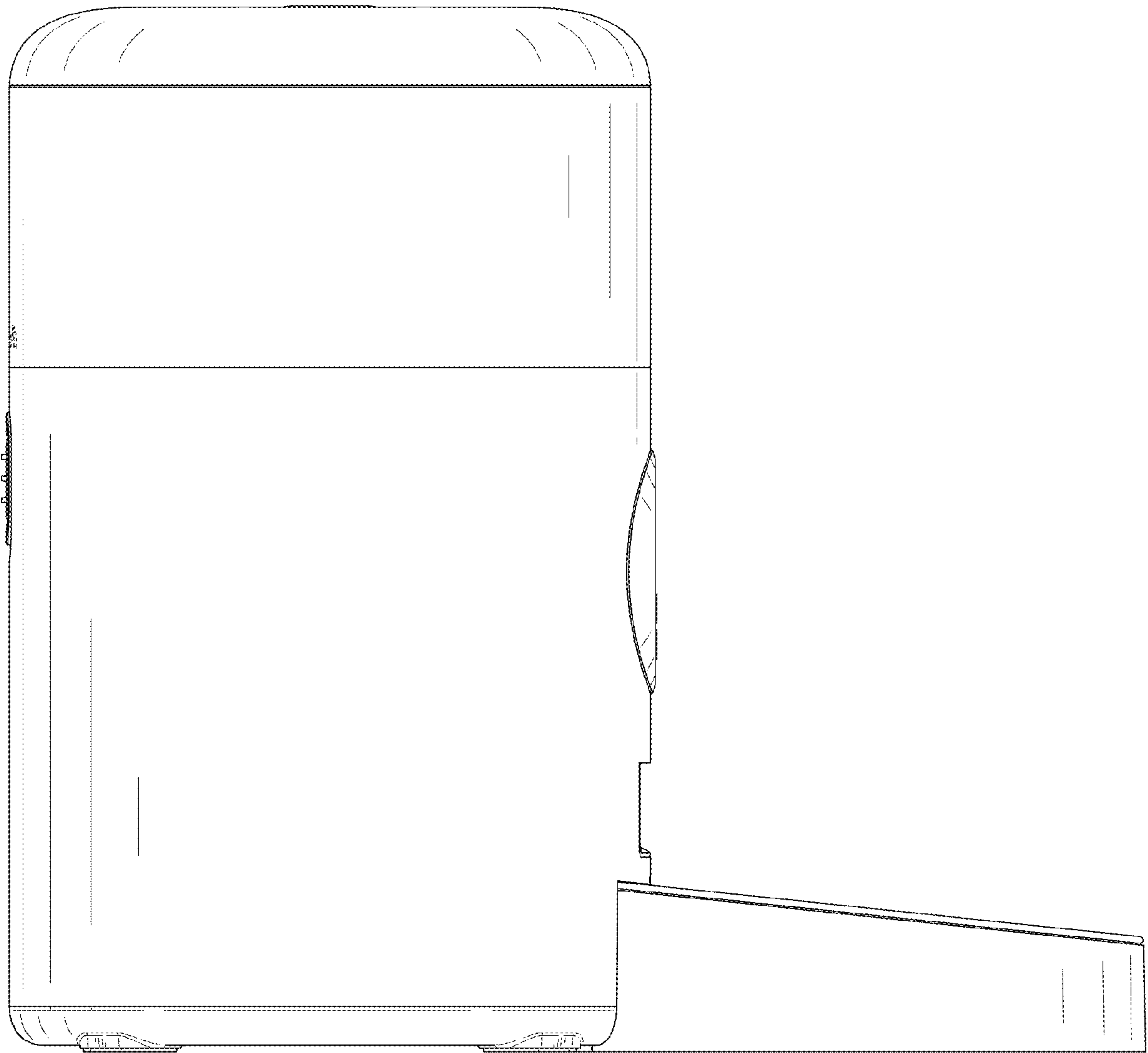


FIG. 5

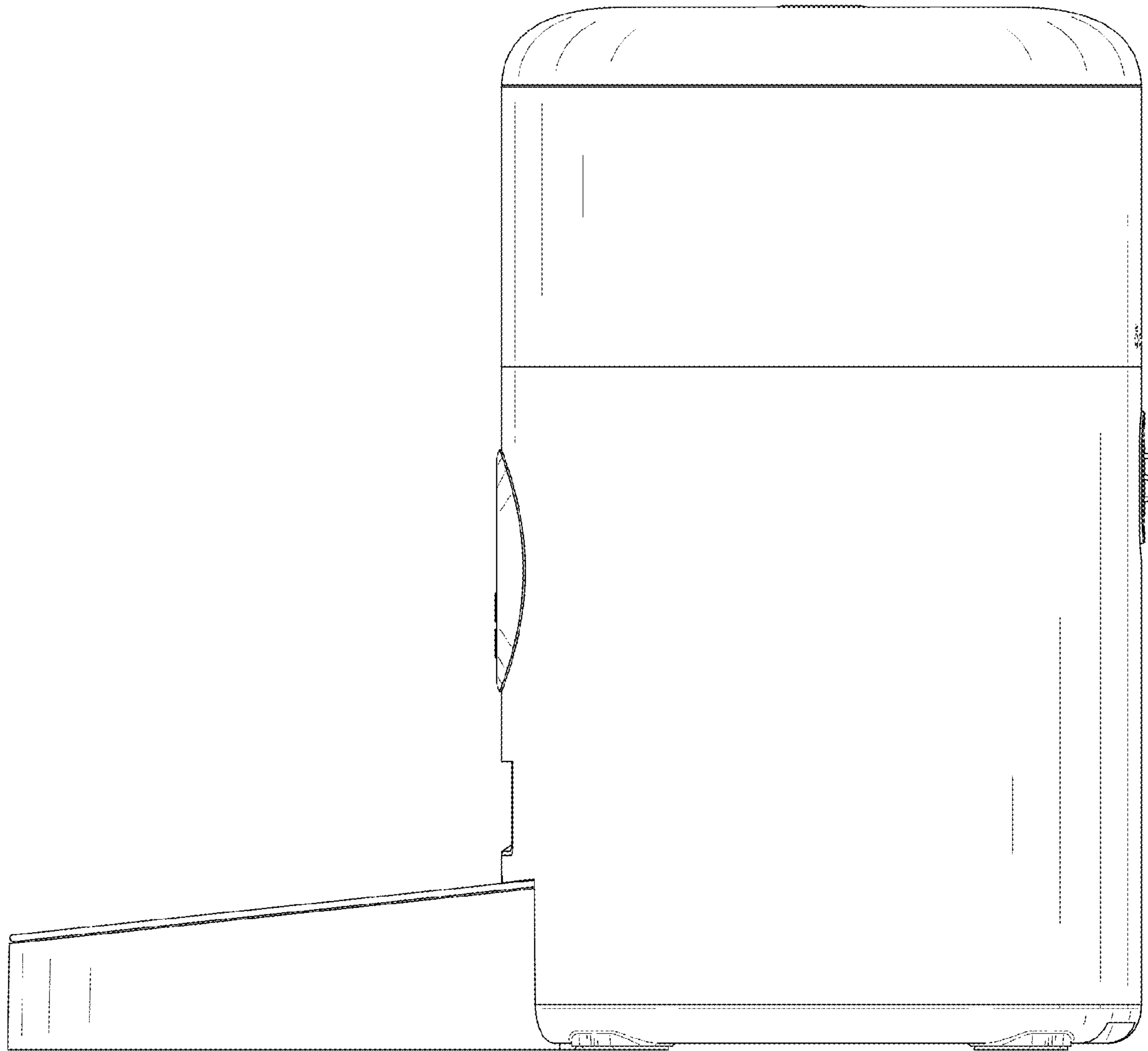


FIG. 6



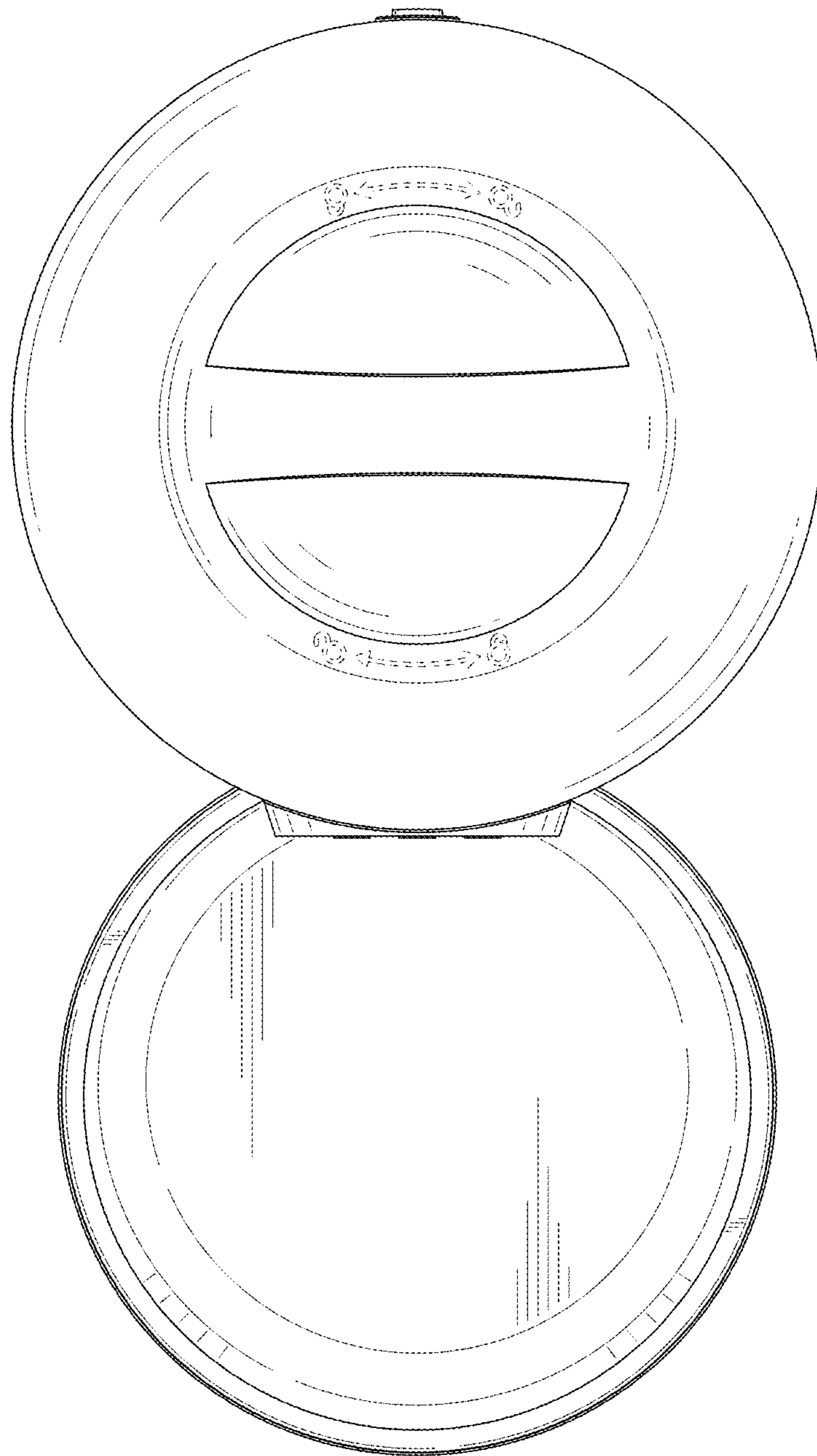


FIG. 7

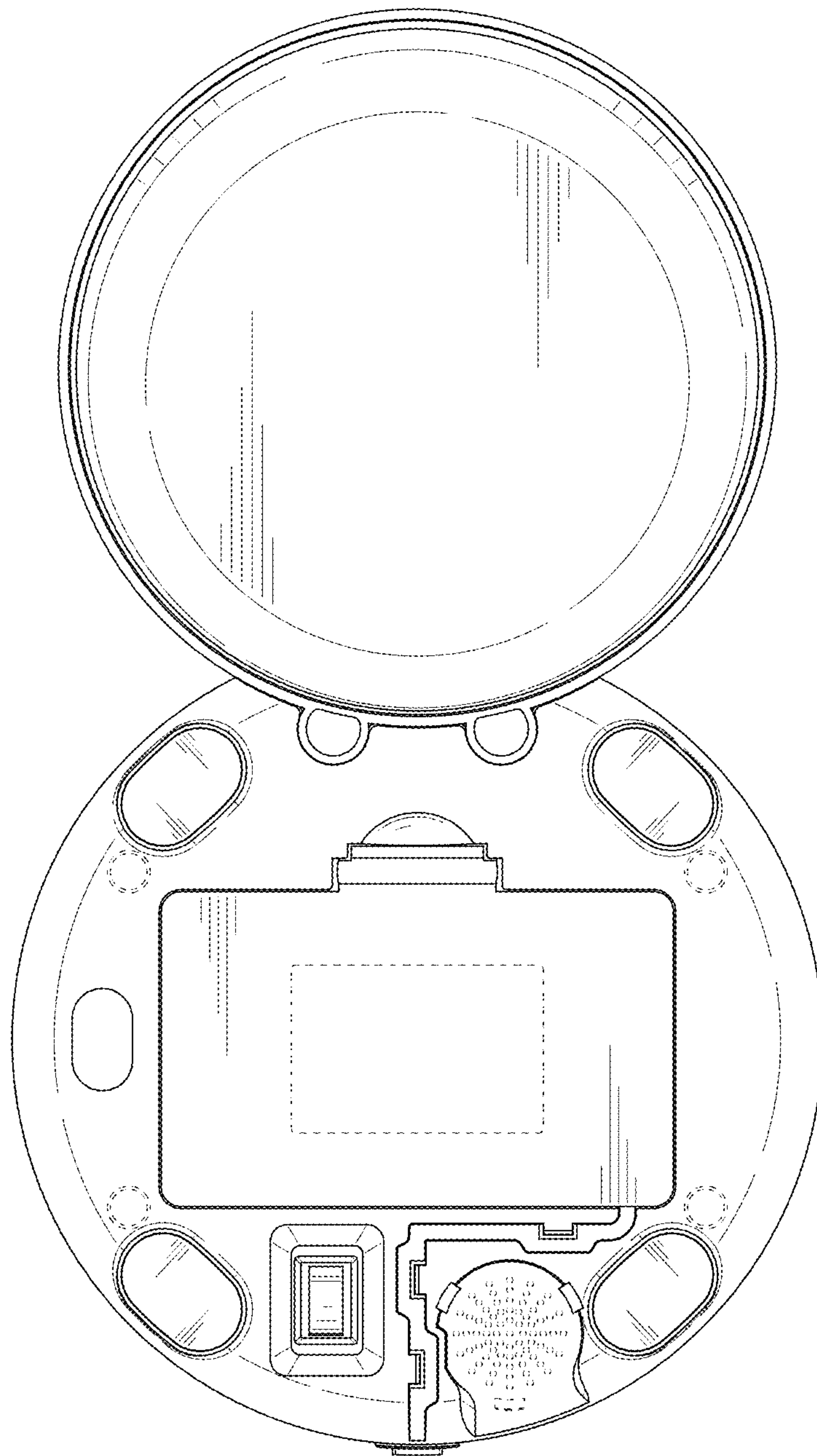


FIG. 8

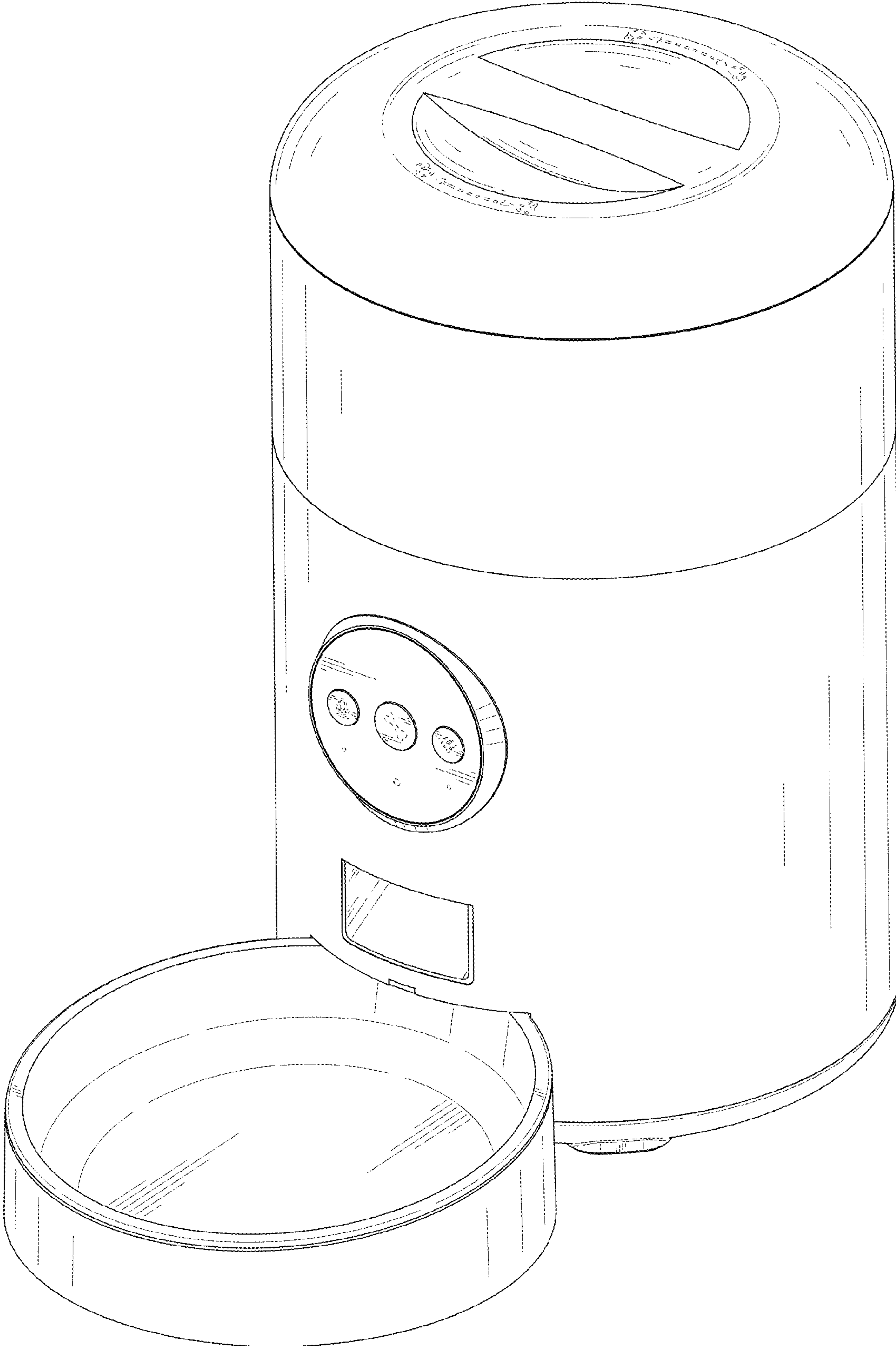


FIG. 9

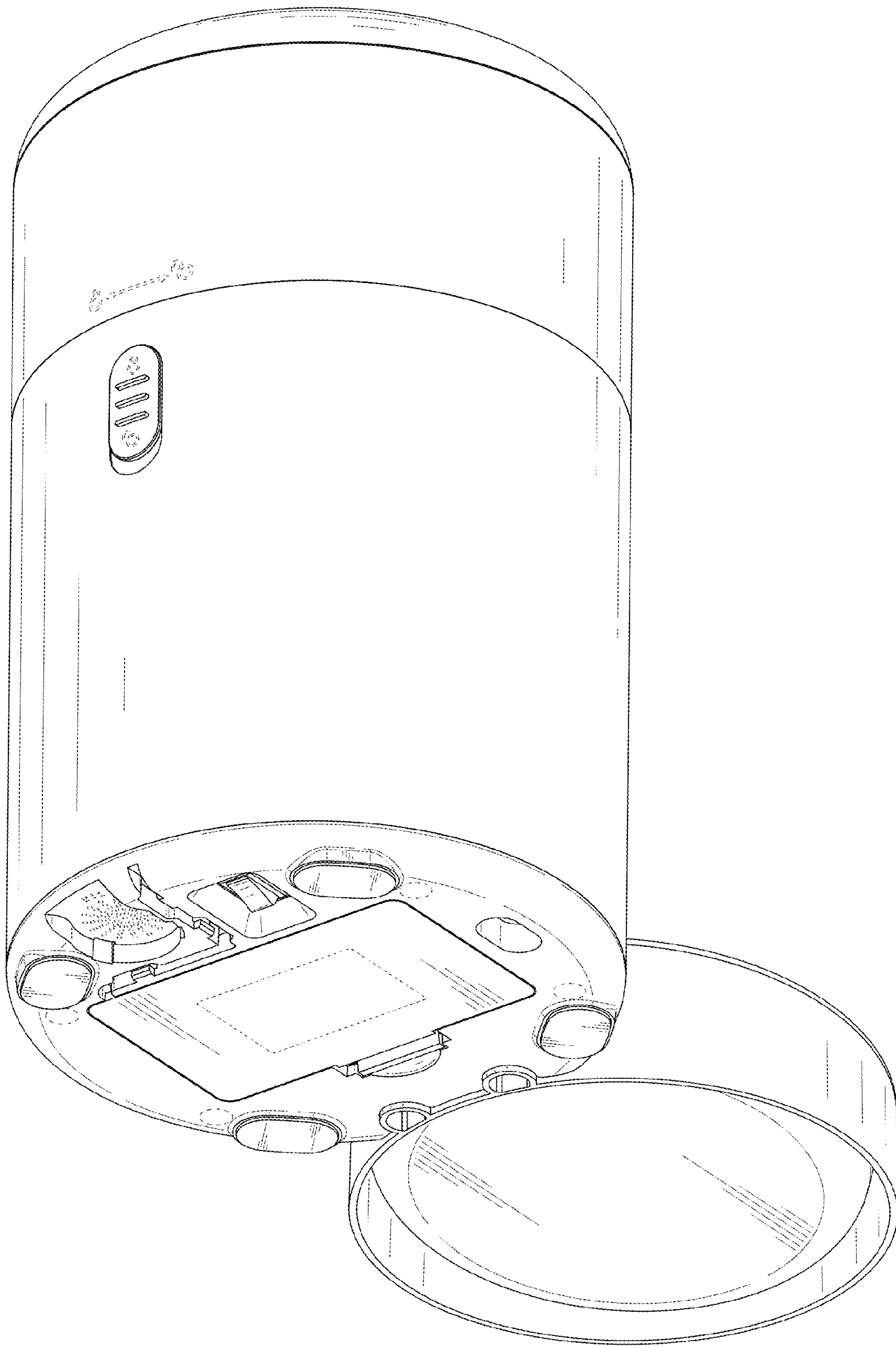


FIG. 10

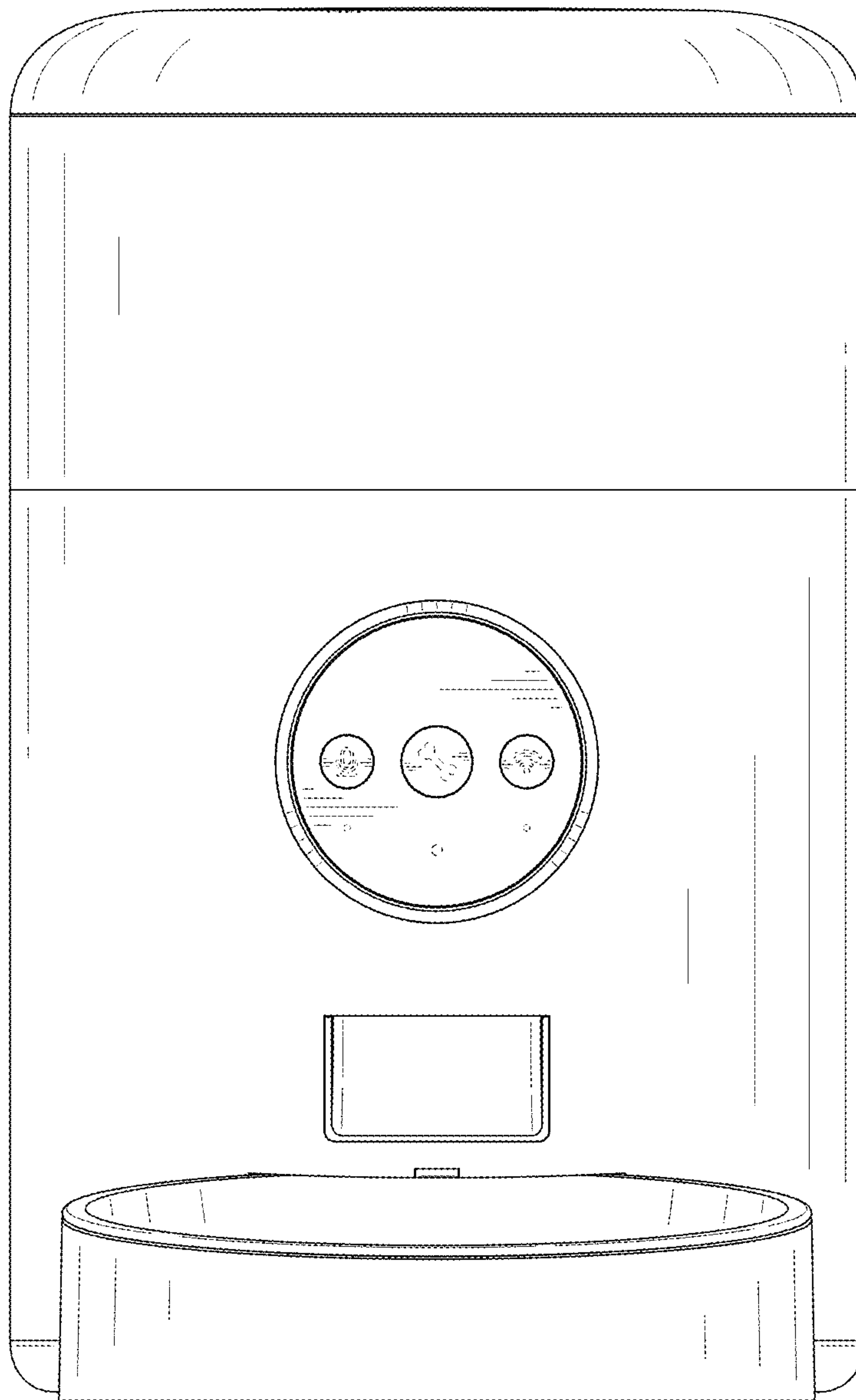


FIG. 11



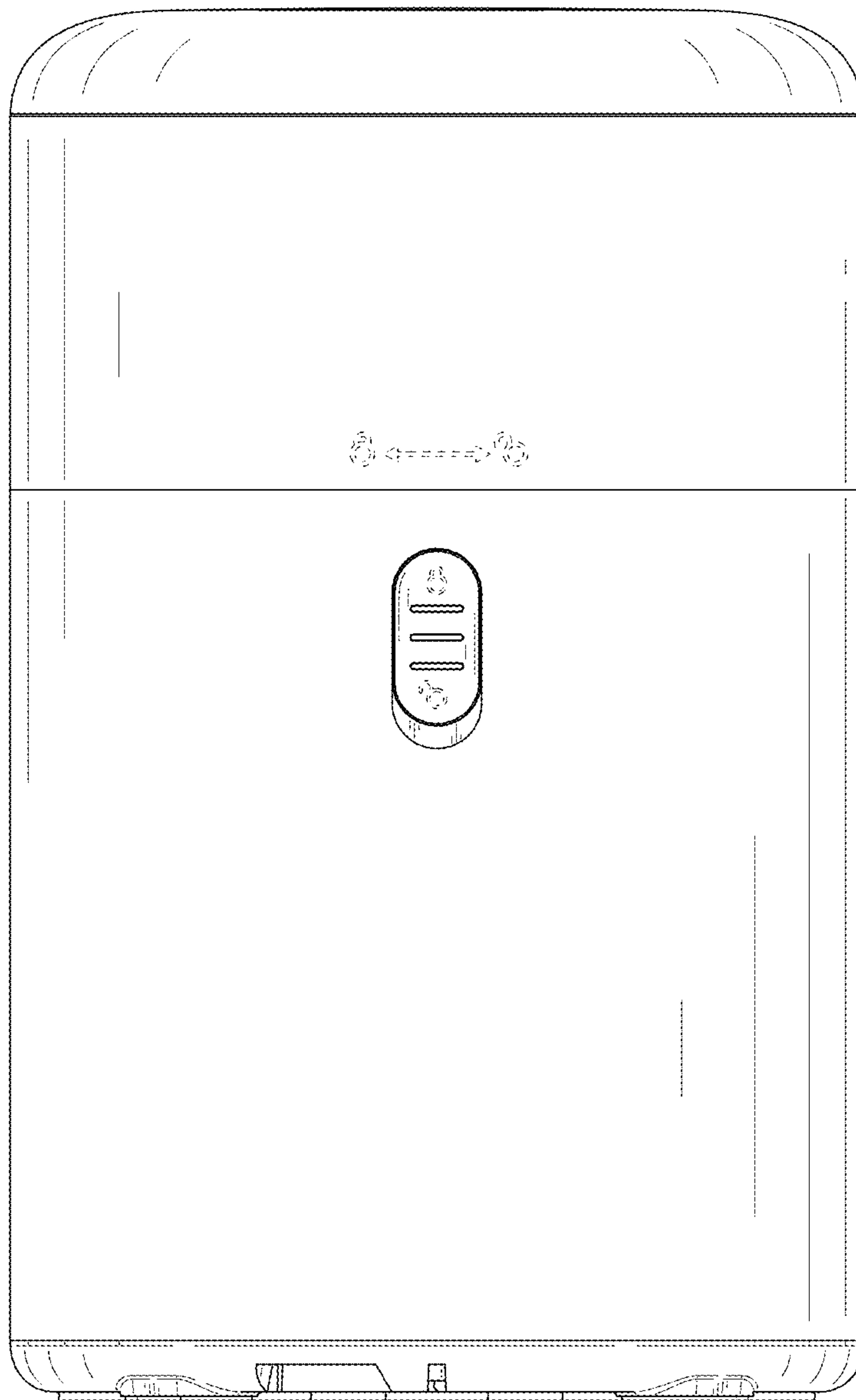


FIG. 12

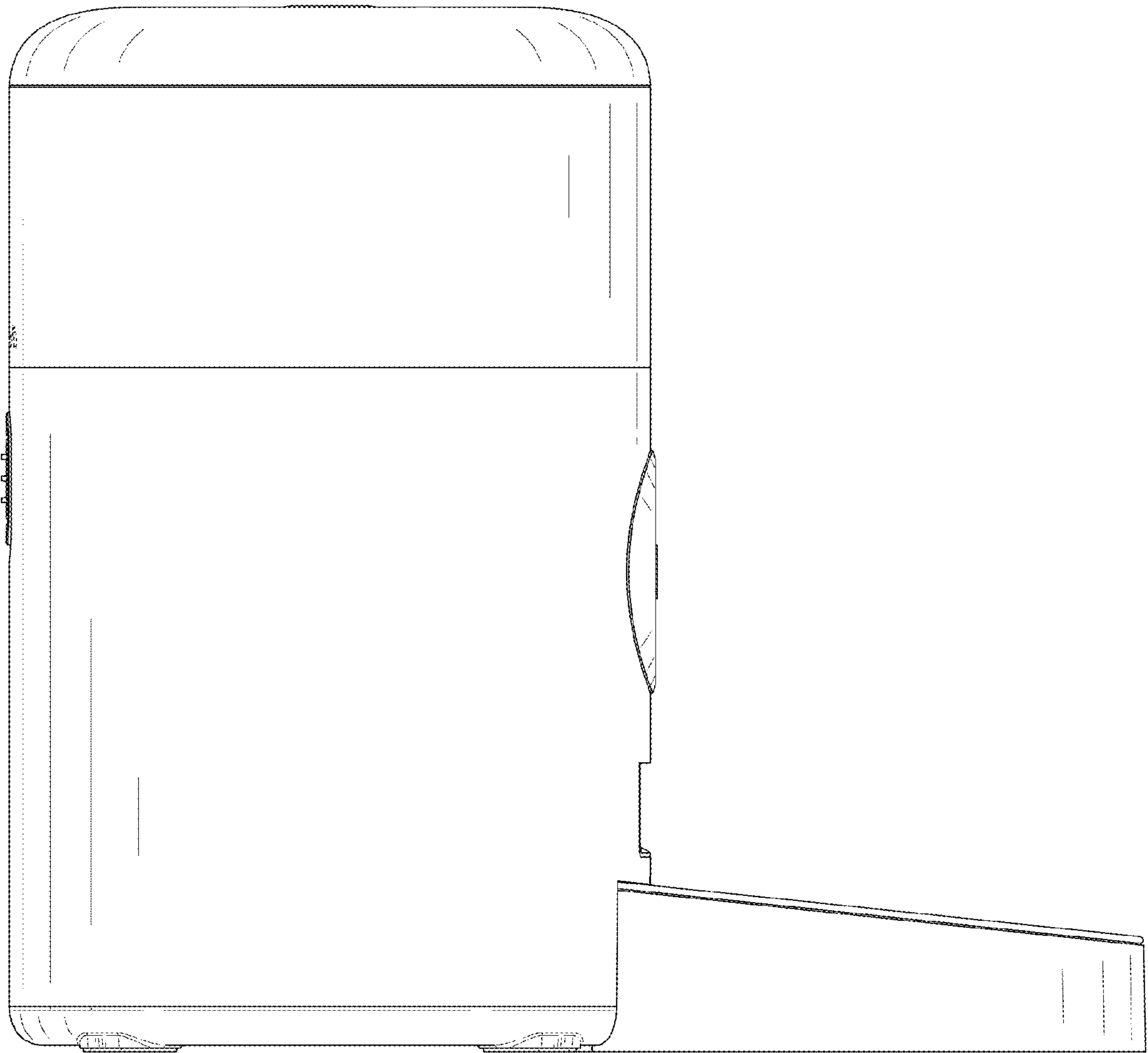


FIG. 13

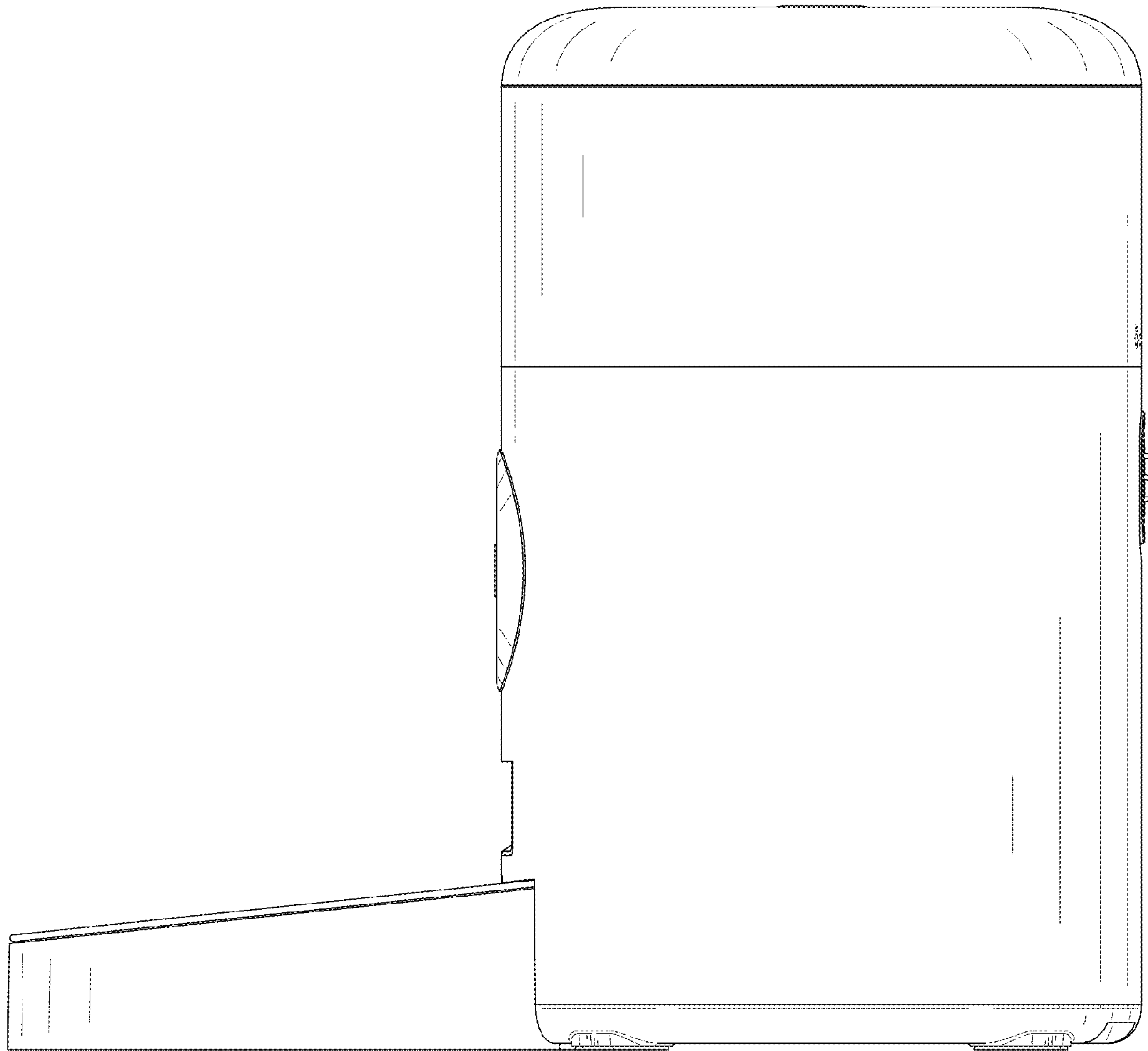


FIG. 14

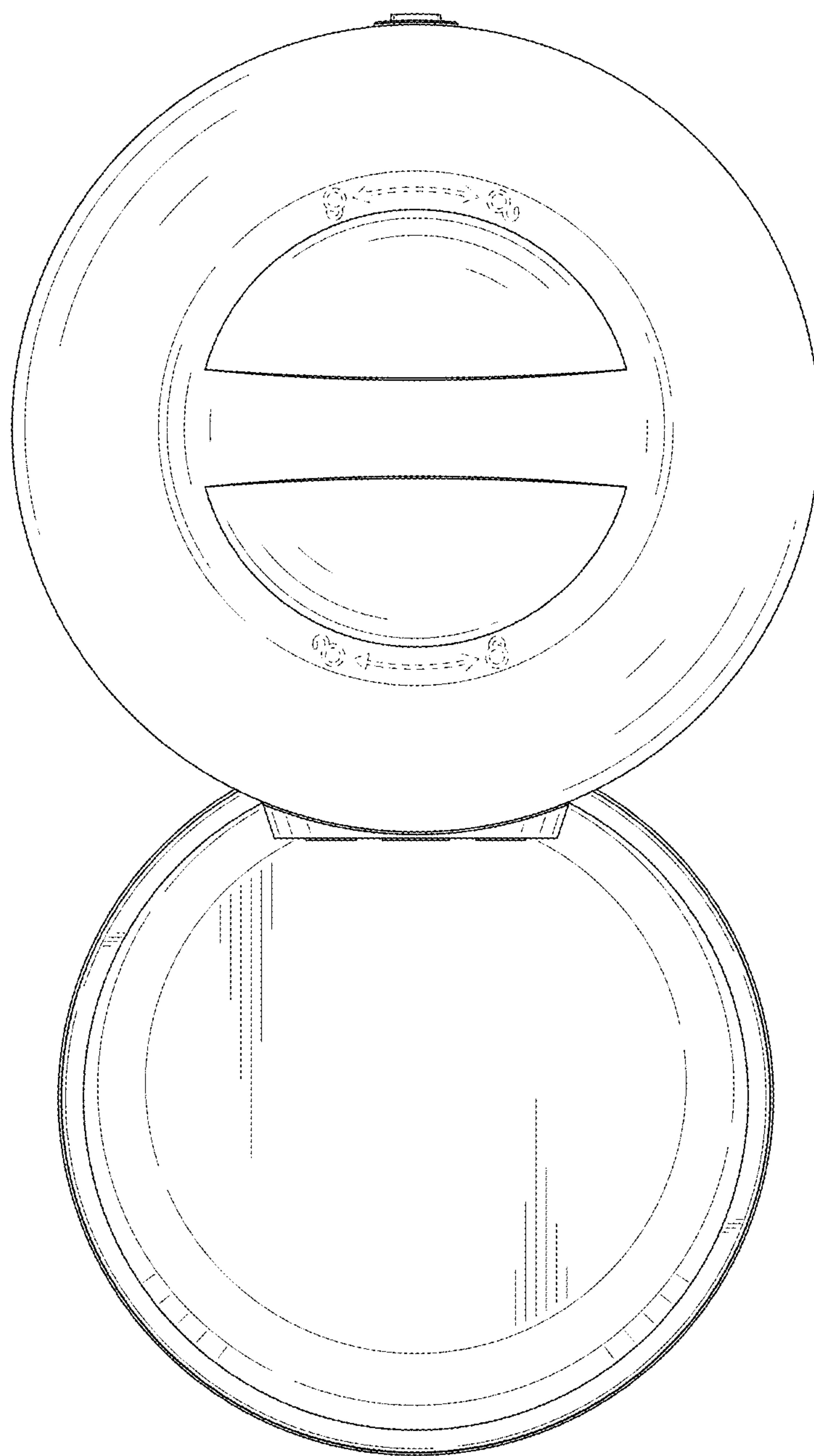


FIG. 15

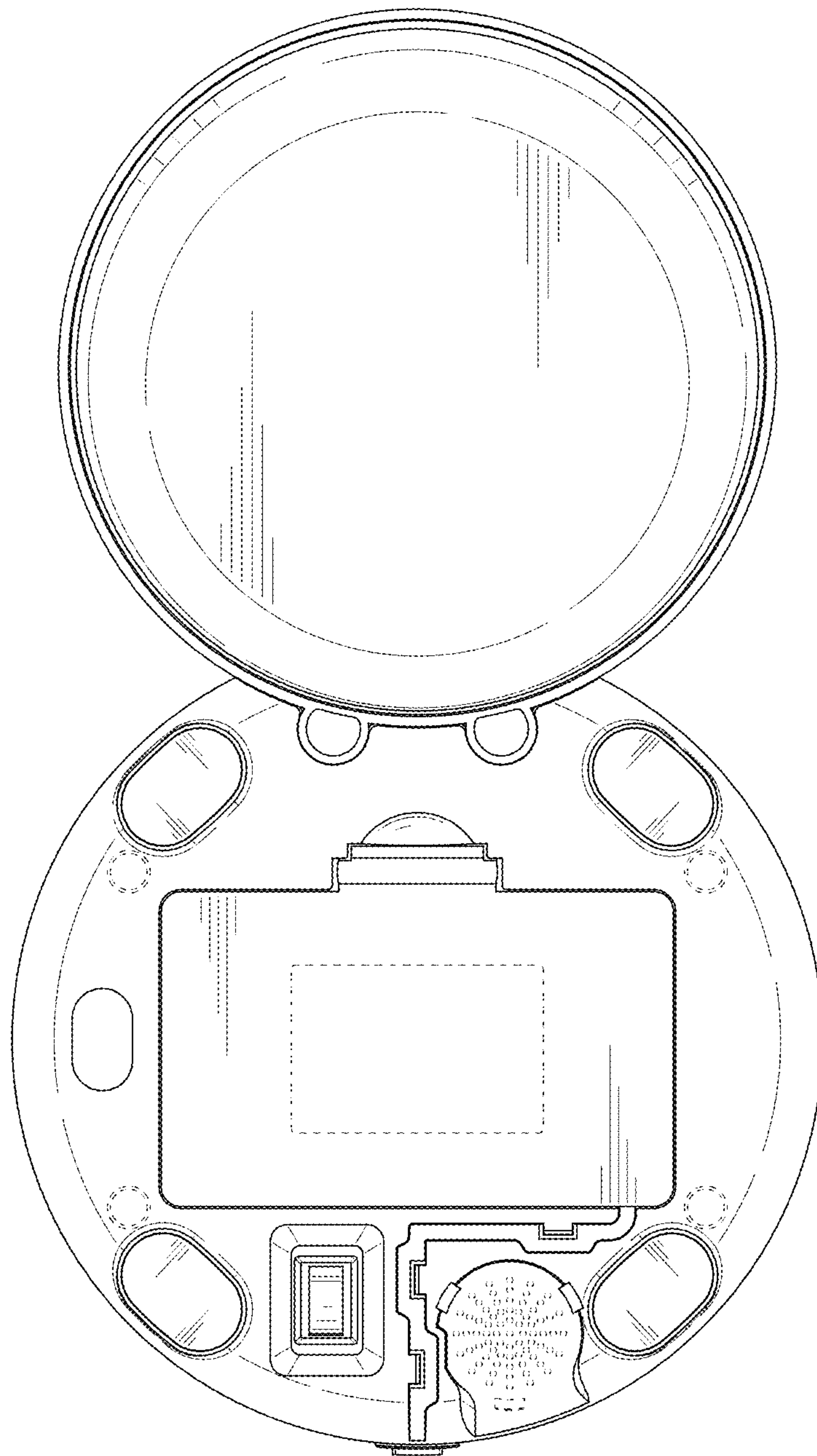


FIG. 16