



US00D969415S

(12) **United States Design Patent** (10) **Patent No.:** **US D969,415 S**  
**Kienzle** (45) **Date of Patent:** **\*\* Nov. 8, 2022**

(54) **PET FOOD CONTAINER**

220/699, 4.23, 755, 760, 764, 780-806,  
220/200, 716, 258.2, 257.1, 574-575,  
220/578-580, 495.01, 485.02, 23.83,  
(Continued)

(71) Applicant: **Constantia Teich GmbH**, Weinburg  
(AT)

(72) Inventor: **Sarah Kienzle**, Vienna (AT)

(56) **References Cited**

(73) Assignee: **Constantia Teich GmbH**

U.S. PATENT DOCUMENTS

(\*\*) Term: **15 Years**

D254,754 S \* 4/1980 Harrison ..... D30/129  
4,832,201 A \* 5/1989 Kenyon, 2nd ..... B65D 77/2024  
229/123.1

(21) Appl. No.: **29/701,498**

(Continued)

(22) Filed: **Aug. 12, 2019**

*Primary Examiner* — Susan Moon Lee

(51) **LOC (13) Cl.** ..... **30-03**

(74) *Attorney, Agent, or Firm* — Dascenzo Gates  
Intellectual Property Law, P.C.

(52) **U.S. Cl.**

(57) **CLAIM**

USPC ..... **D30/121**

The ornamental design for a pet food container, as shown  
and described.

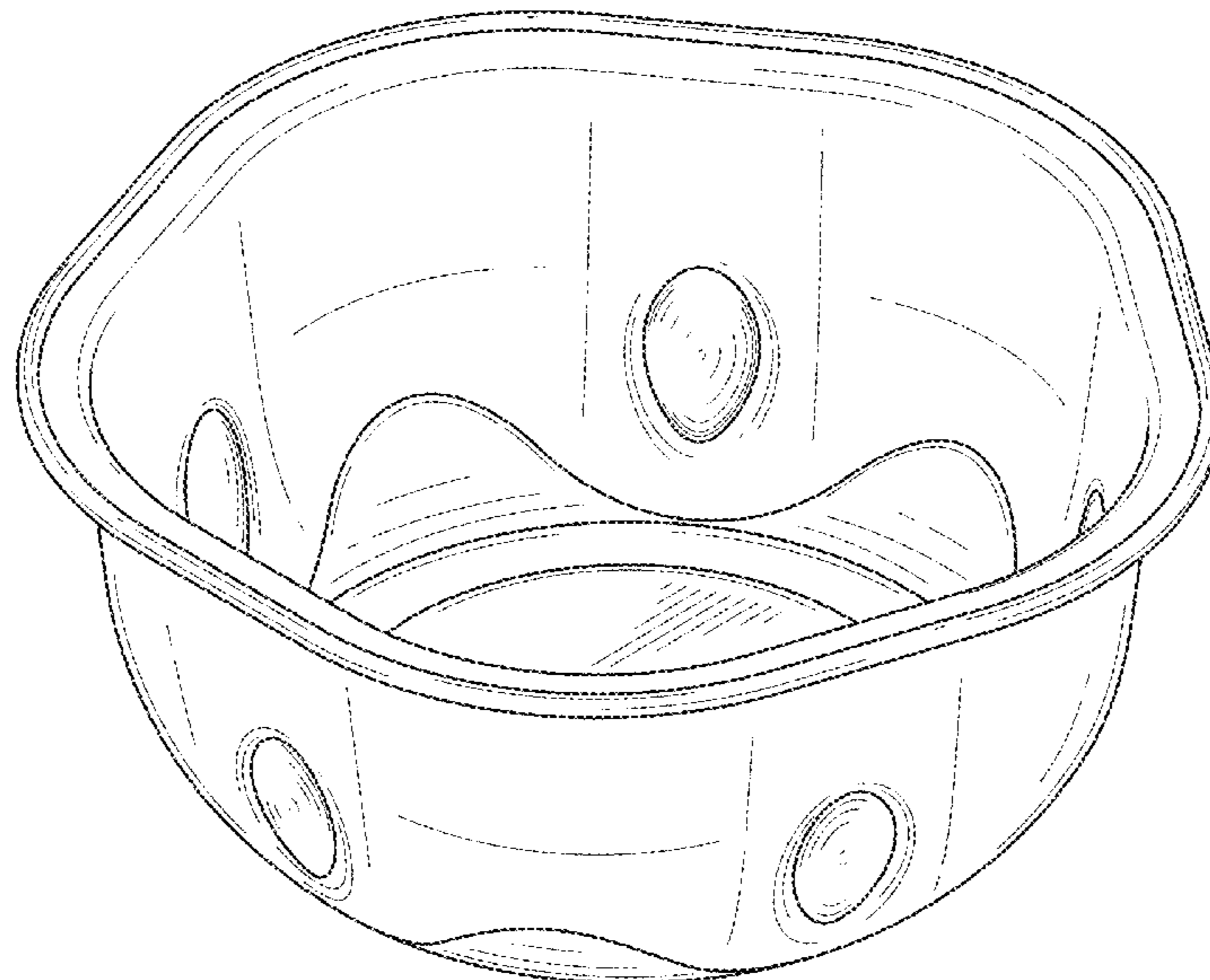
(58) **Field of Classification Search**

**DESCRIPTION**

USPC ..... D30/121, 129-133, 199, 104-107;  
119/51.01, 61, 51.04, 53, 57.91, 54, 53.5,  
119/52.4, 51.11, 63, 61.2, 52.1, 57.5,  
119/57.6, 51.13, 62, 75, 500, 501, 521,  
119/57.92, 59, 51.12, 57.1, 56.1, 57;  
D9/436, 444, 447, 435, 452, 445, 454,  
D9/434, 453, 448, 438, 423-430,  
D9/414-418, 500-505, 516-521, 549,  
D9/558, 530, 715, 716, 724, 529, 538;  
D7/400, 507-511, 523, 601-608, 612,  
D7/615, 629, 630, 538-542; 4/585;  
D23/261, 260, 304, 308; D32/53, 53.1,  
D32/54; 222/520, 521, 212; 206/541,  
206/216, 518, 557, 139, 144, 146, 192,  
206/205, 217, 223, 542, 543, 544, 545,  
206/547, 242, 1.7, 427, 446, 493, 499,  
206/501, 503-508, 514, 515, 519, 520,  
206/558, 560, 563, 564, 567, 524.1,  
206/524.3, 524.4, 524.6, 524.8, 525, 527,  
206/804, 813, 820, 821, 822, 823;  
229/406, 407, 902-904, 938, 87.08;  
D11/152; 426/106; 15/260-264;  
215/200, 260, 261; 220/674, 675, 556,

FIG. 1 is a top perspective view of a pet food container in  
accordance with the new design;  
FIG. 2 is a bottom perspective view thereof;  
FIG. 3 is a front view thereof;  
FIG. 4 is a rear view thereof;  
FIG. 5 is a right side view thereof;  
FIG. 6 is a left side view thereof;  
FIG. 7 is a top view thereof; and  
FIG. 8 is a bottom view thereof.  
FIG. 9 is a top perspective view of a second embodiment of  
the pet food container;  
FIG. 10 is a bottom perspective view thereof;  
FIG. 11 is a front view thereof;  
FIG. 12 is a rear view thereof;  
FIG. 13 is a right side view thereof;  
FIG. 14 is a left side view thereof;  
FIG. 15 is a top view thereof; and,  
FIG. 16 is a bottom view thereof.

**1 Claim, 12 Drawing Sheets**



**(58) Field of Classification Search**

USPC .... 220/23.86, 23.87, 23.88, 23.89, 500–507,  
 220/528, 526, 212, 212.5, 216, 254.1,  
 220/255, 287, 781, 787, 790, 309.1, 360,  
 220/376–380, 62.11–62.15, 639, 694,  
 220/696, 700–703, 711, 719, 730, 731,  
 220/737–742, 744, 890; D19/112;  
 D21/321

CPC ..... A01K 5/0225; A01K 5/00; A01K 5/02;  
 A01K 5/01; A01K 5/0291; A01K 5/0266;  
 A01K 5/0275; A01K 5/0283; A01K  
 39/00; A01K 39/01; A01K 39/0113;  
 A01K 39/012; A01K 39/0125; A01K  
 39/014; B65D 1/12–16; B65D 1/00;  
 B65D 1/26; B65D 1/265; B65D 11/00;  
 B65D 11/06; B65D 21/00; B65D 21/02;  
 B65D 21/0209; B65D 21/0233; B65D  
 21/022; B65D 21/0234; B65D 25/00;  
 B65D 25/34; B65D 23/00; B65D 37/00;  
 B65D 43/00; B65D 43/02; B65D 43/08;  
 B65D 65/02; B65D 69/00; B65D  
 81/3205; B65D 81/00; B65D 88/00;  
 B65D 88/02; B65D 88/025; B65D  
 88/126; B65D 90/00; B65D 90/004;  
 B65D 90/0046; B65D 2251/00; B65D  
 2501/24859; B65D 2501/00; B65D  
 2501/0009; B65D 2543/0009; B65D  
 2543/00027; B65D 2543/00092; B65D  
 2543/00342; B65D 2543/00444; B65D  
 2543/00981; B65D 2590/0066; B65D  
 85/804–8046

See application file for complete search history.

**(56)**

**References Cited**

U.S. PATENT DOCUMENTS

D373,932	S *	9/1996	Onneweer .....	D7/316
D405,561	S *	2/1999	Willinger .....	D7/354
D407,949	S *	4/1999	Henry .....	D30/129
D423,733	S *	4/2000	Choi .....	D30/129
6,648,163	B2 *	11/2003	Porter, III .....	B65D 77/2024 426/123
D564,138	S *	3/2008	Dunn .....	D30/129
D564,711	S *	3/2008	Modi .....	D30/129
D601,309	S *	9/2009	Babal .....	D30/129
D605,502	S *	12/2009	Honda .....	D9/429
D613,125	S *	4/2010	Sierra .....	D7/584
D613,556	S *	4/2010	Sierra .....	D7/584
D618,860	S *	6/2010	Friedland .....	D30/129
D628,883	S *	12/2010	Stephens .....	D9/429
D636,946	S *	4/2011	Able .....	D30/129
8,286,589	B1 *	10/2012	Tsengas .....	A01K 7/005 119/61.56
8,973,529	B1 *	3/2015	Tsengas .....	A01K 5/0114 119/61.56
D728,865	S *	5/2015	Tsengas .....	D30/129
D741,024	S *	10/2015	Liu .....	D30/129
D818,207	S *	5/2018	Nero .....	D30/129
D825,865	S *	8/2018	Abbey .....	D30/129
D869,101	S *	12/2019	Omelchenko .....	D30/129
D870,983	S *	12/2019	Padia .....	D30/129
D900,990	S *	11/2020	Kim .....	D23/366
2014/0076240	A1 *	3/2014	Tsengas .....	A01K 7/00 119/61.5
2014/0326189	A1 *	11/2014	Jain .....	A01K 5/0114 119/61.5

\* cited by examiner

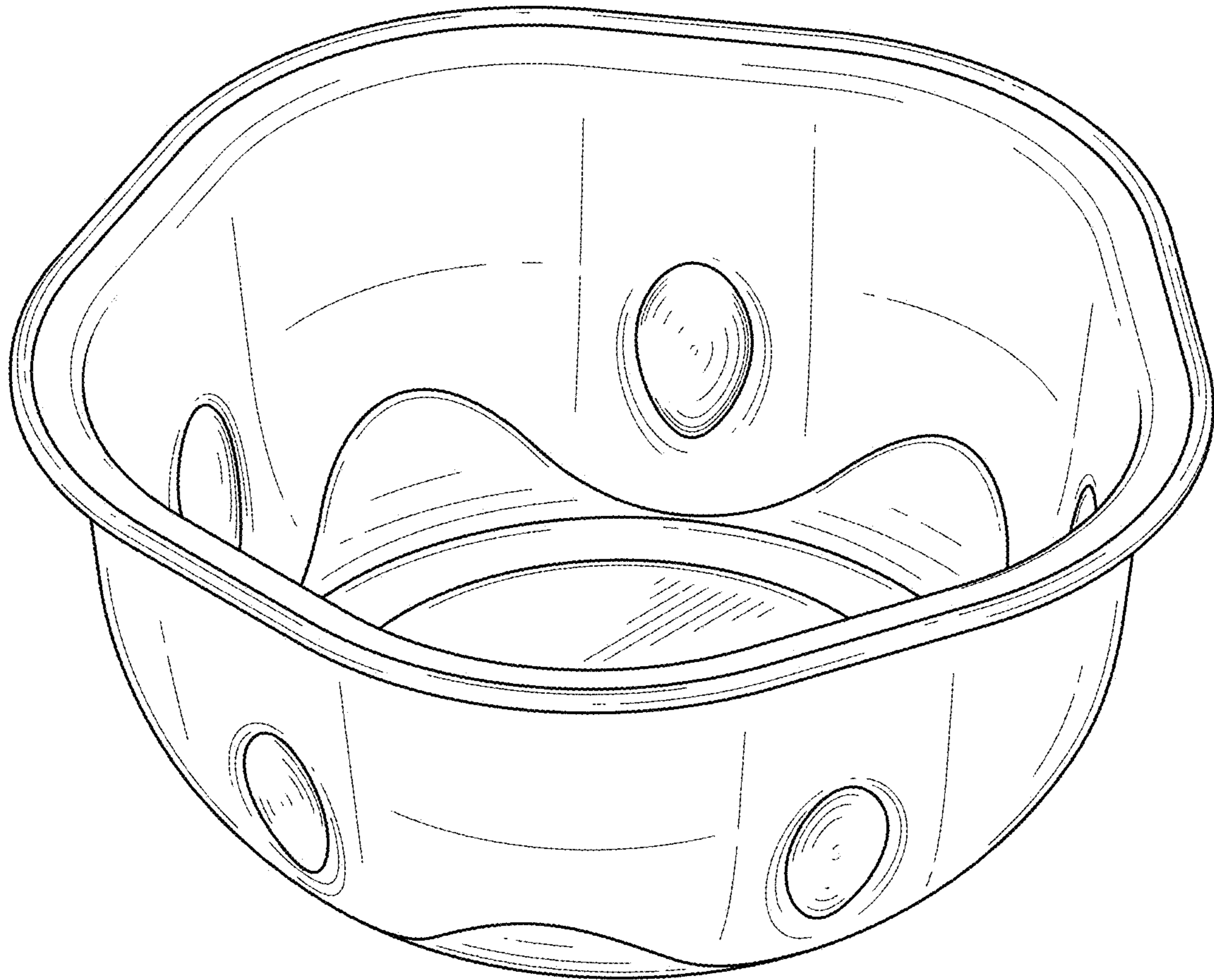


FIG. 1

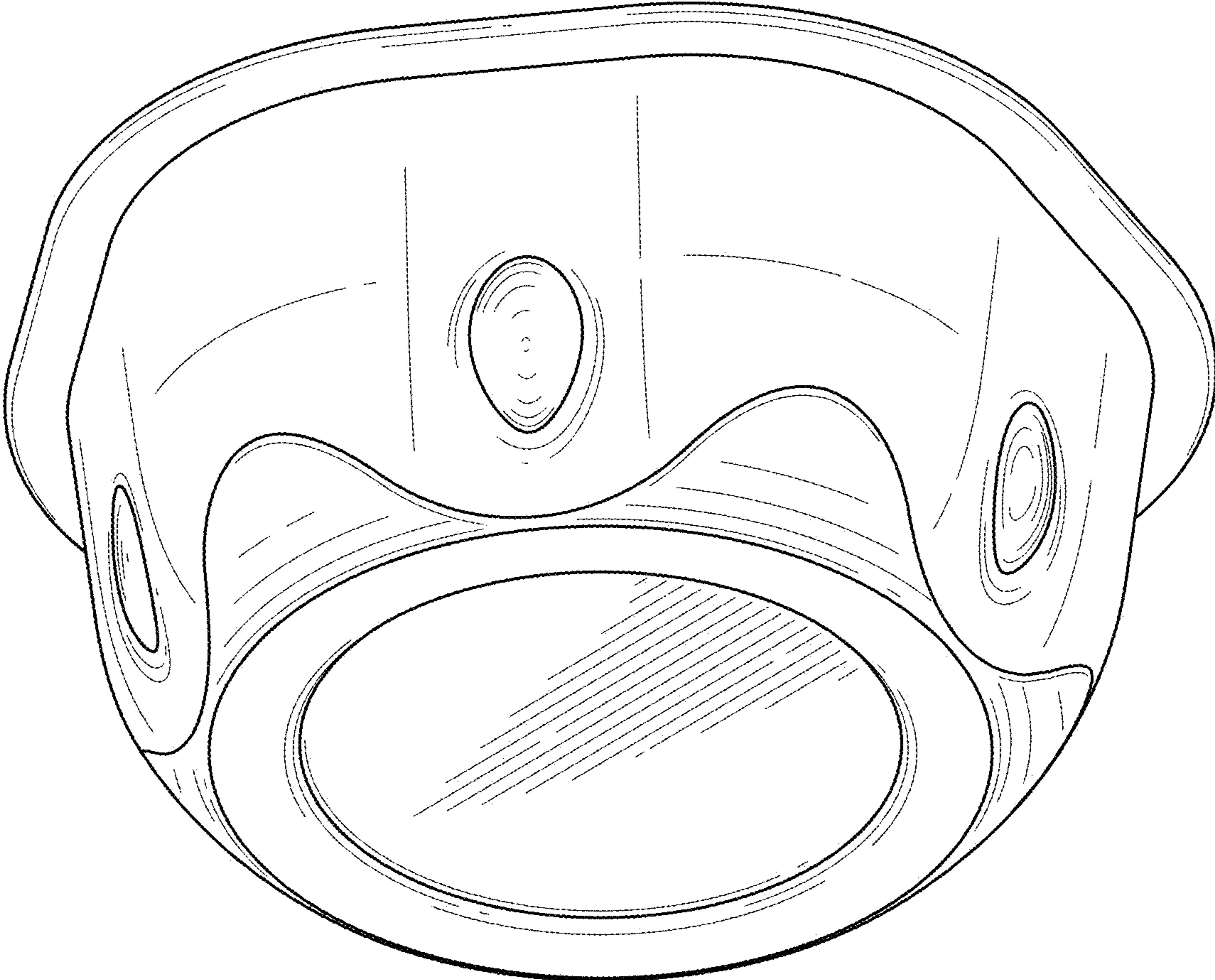


FIG. 2

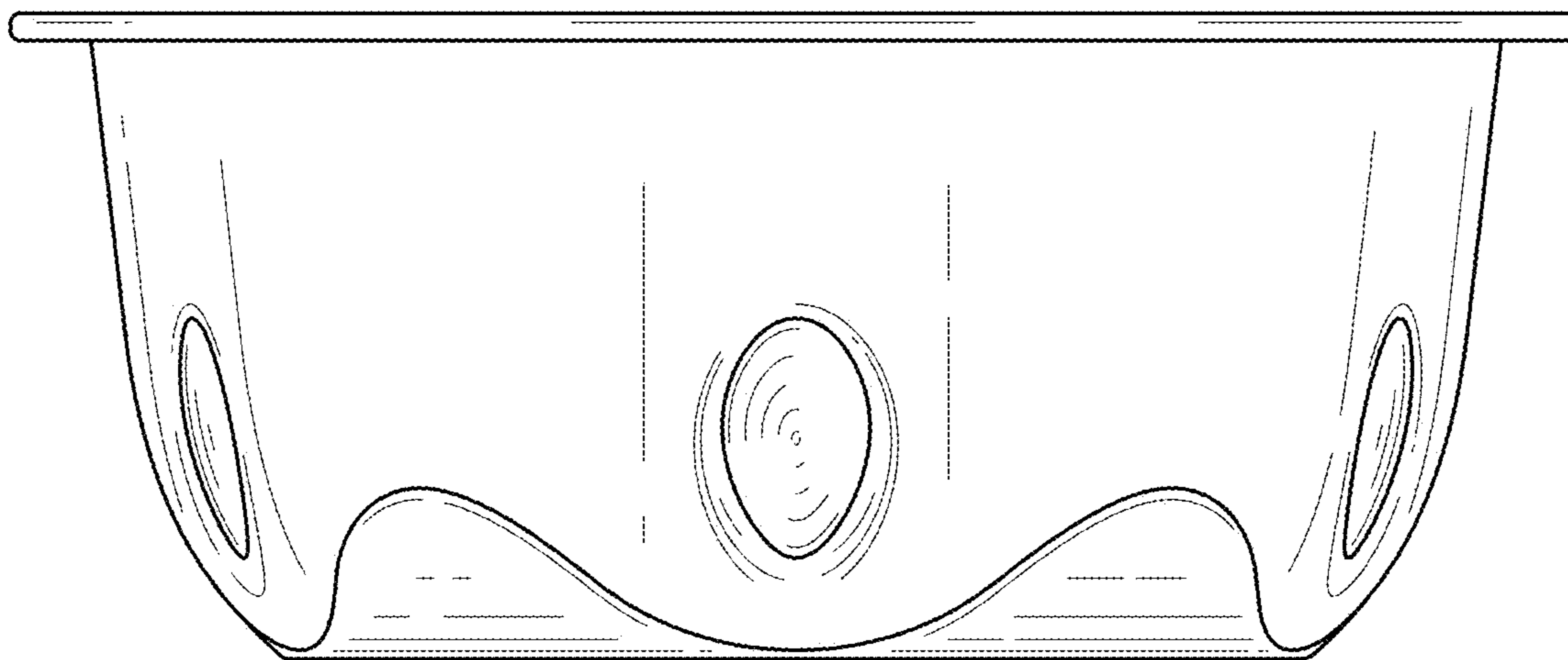


FIG. 3

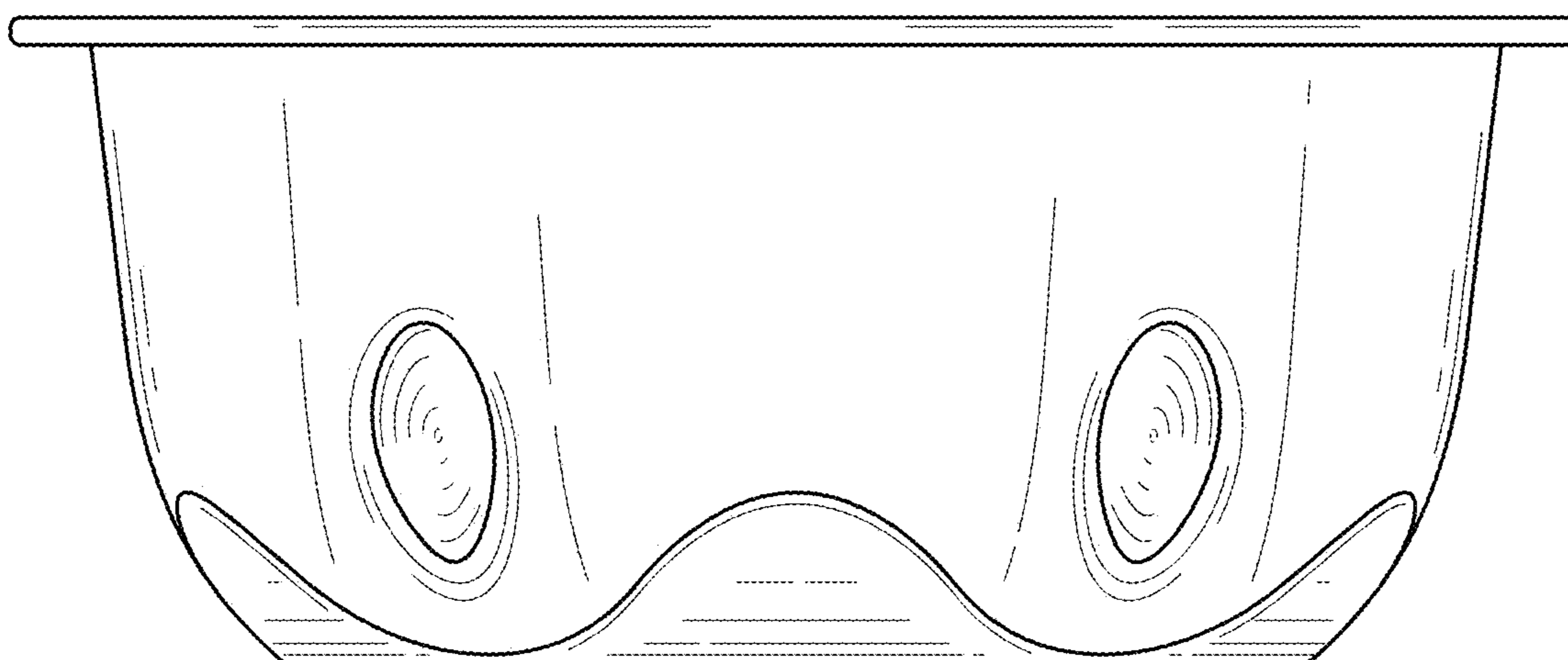


FIG. 4

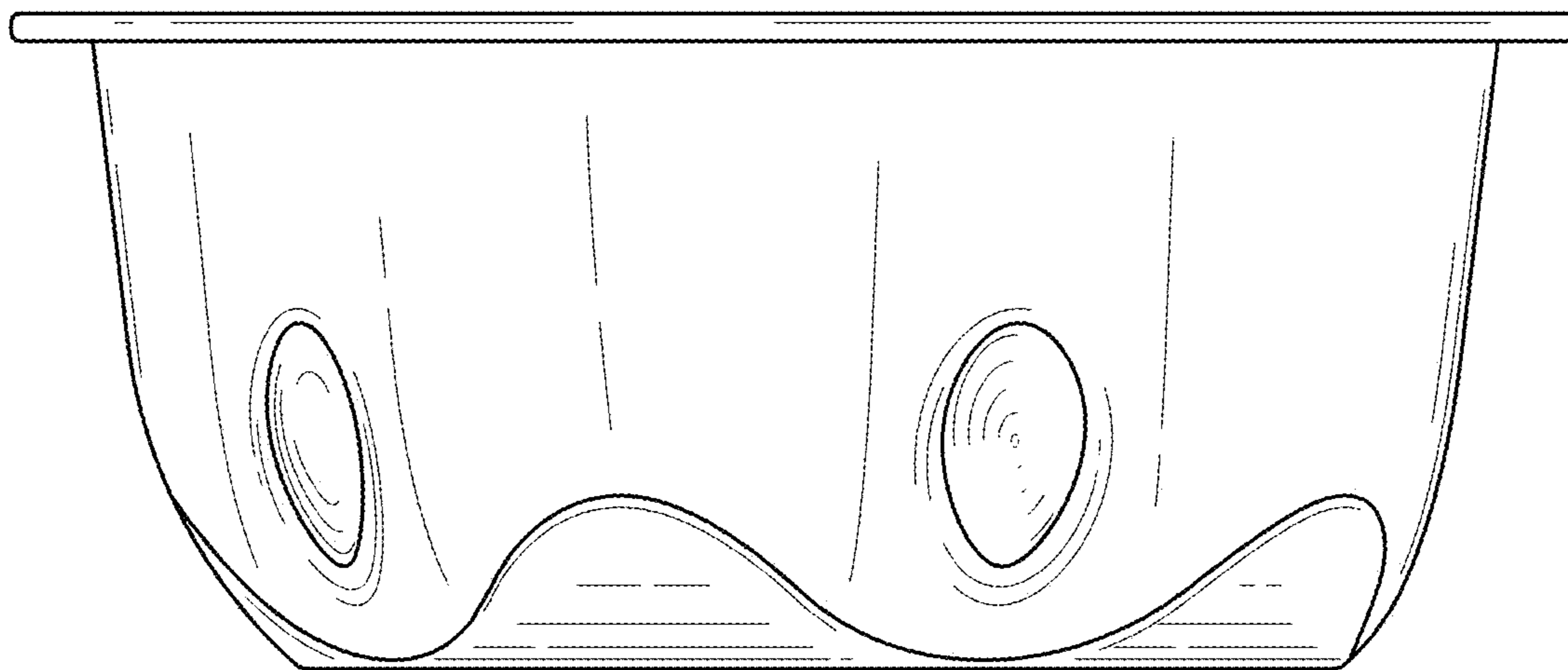


FIG. 5

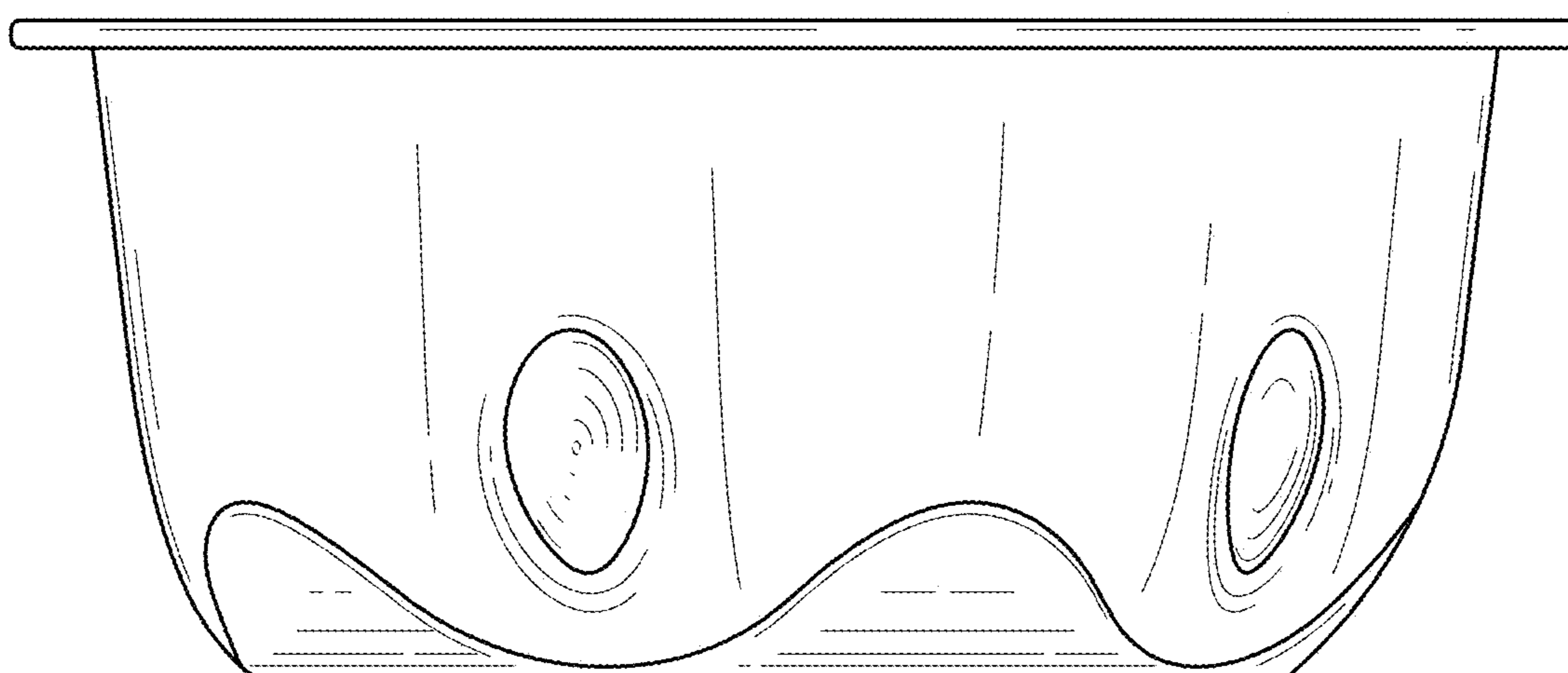


FIG. 6

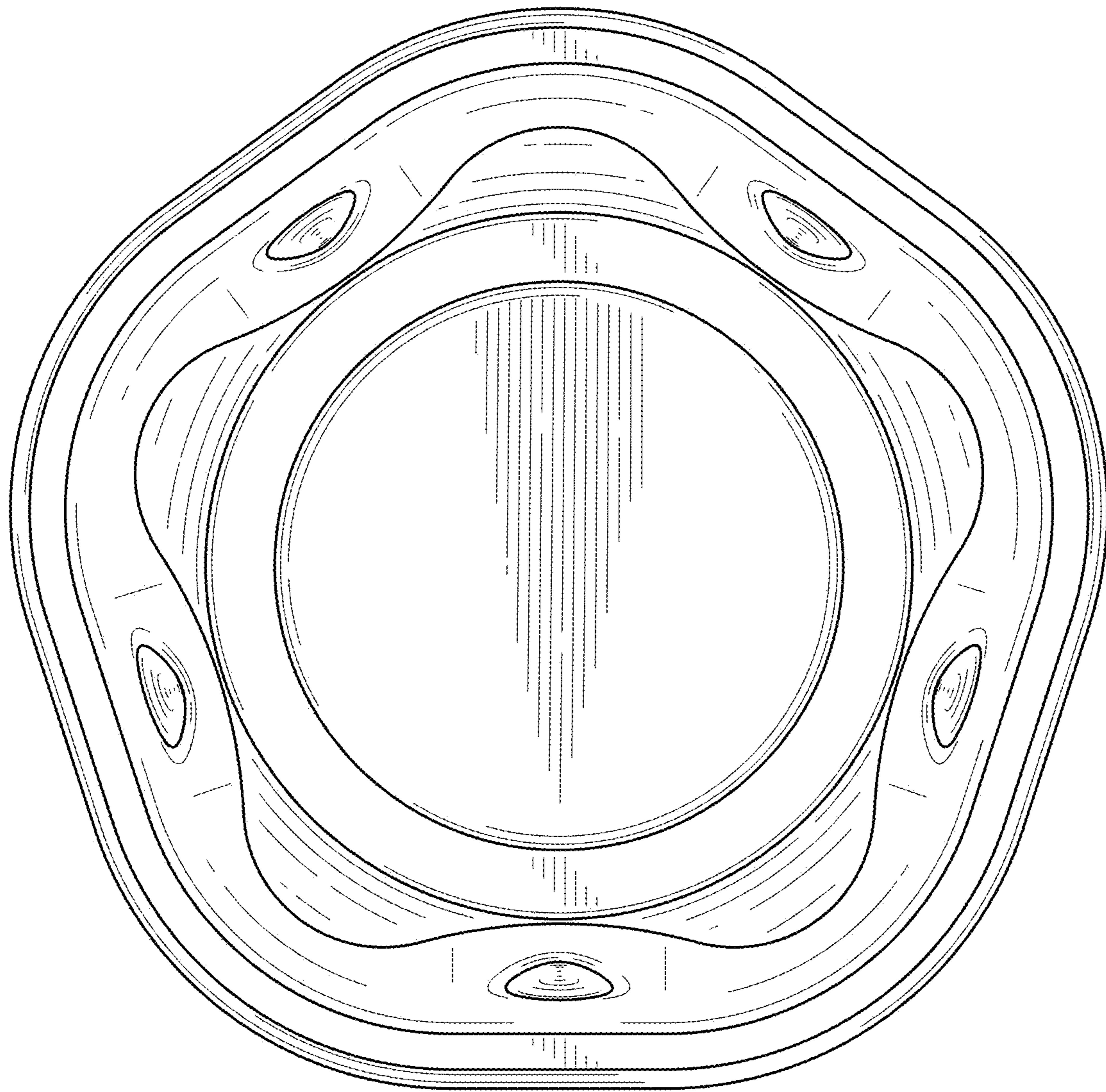


FIG. 7

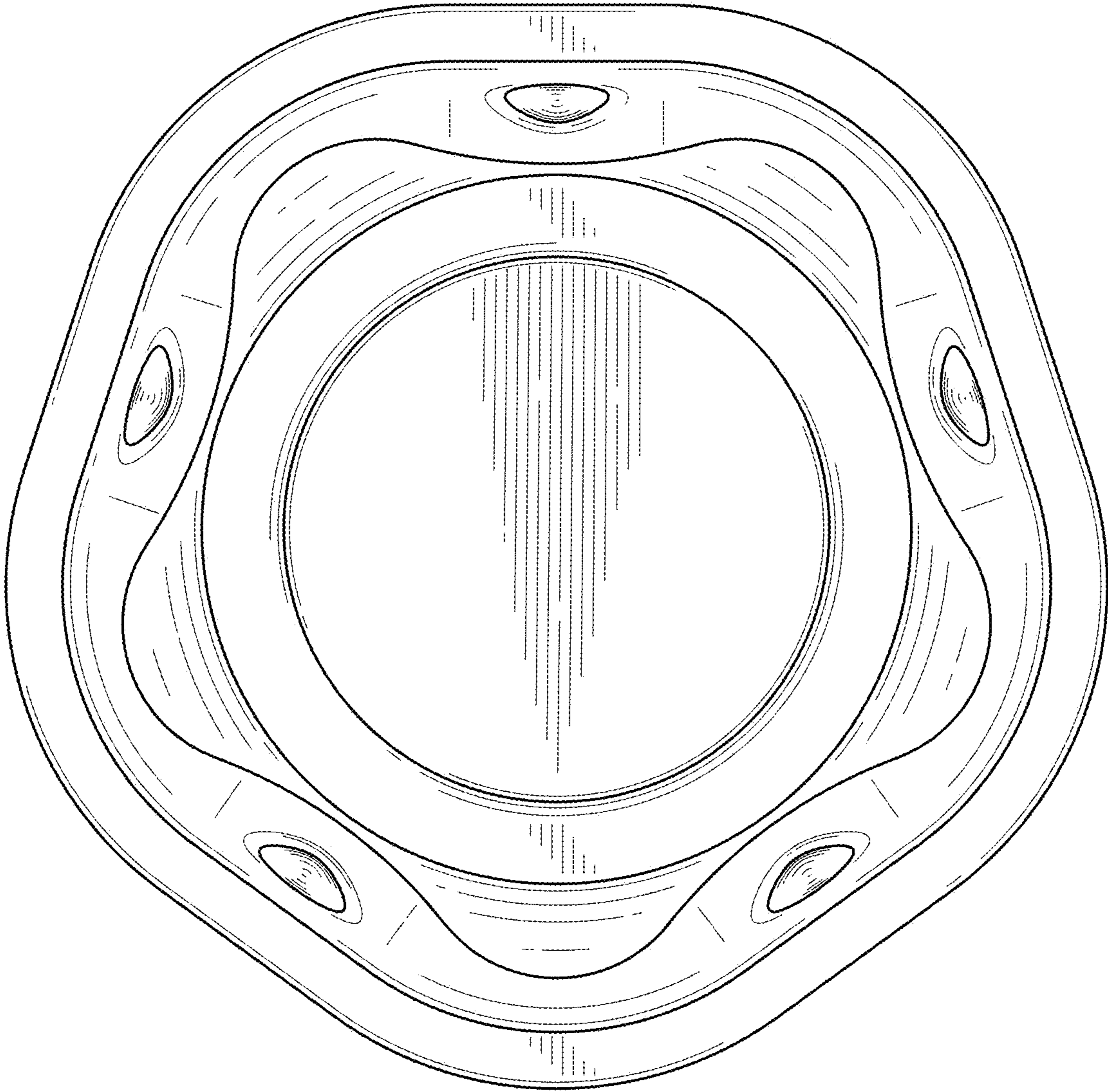


FIG. 8



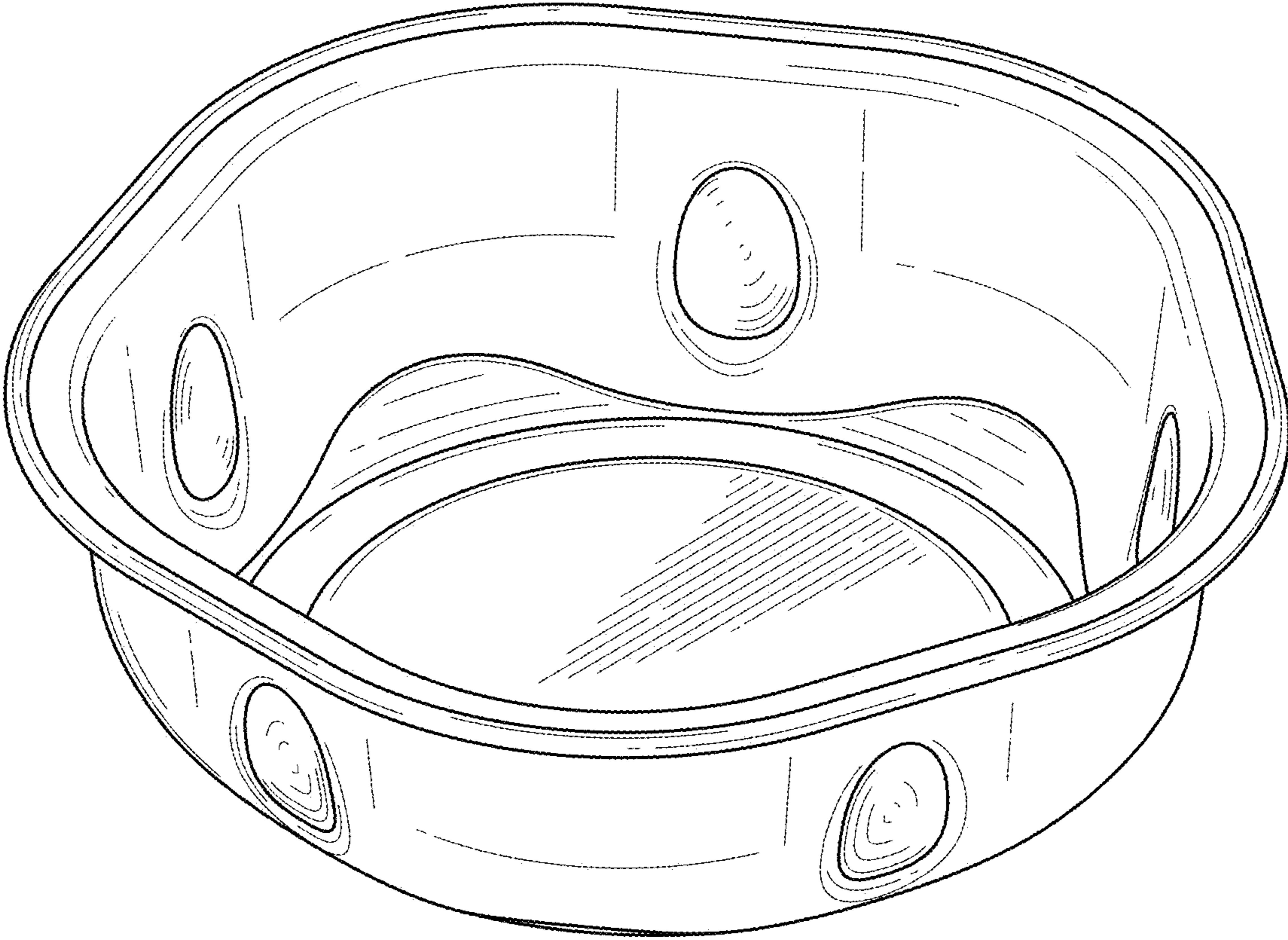


FIG. 9

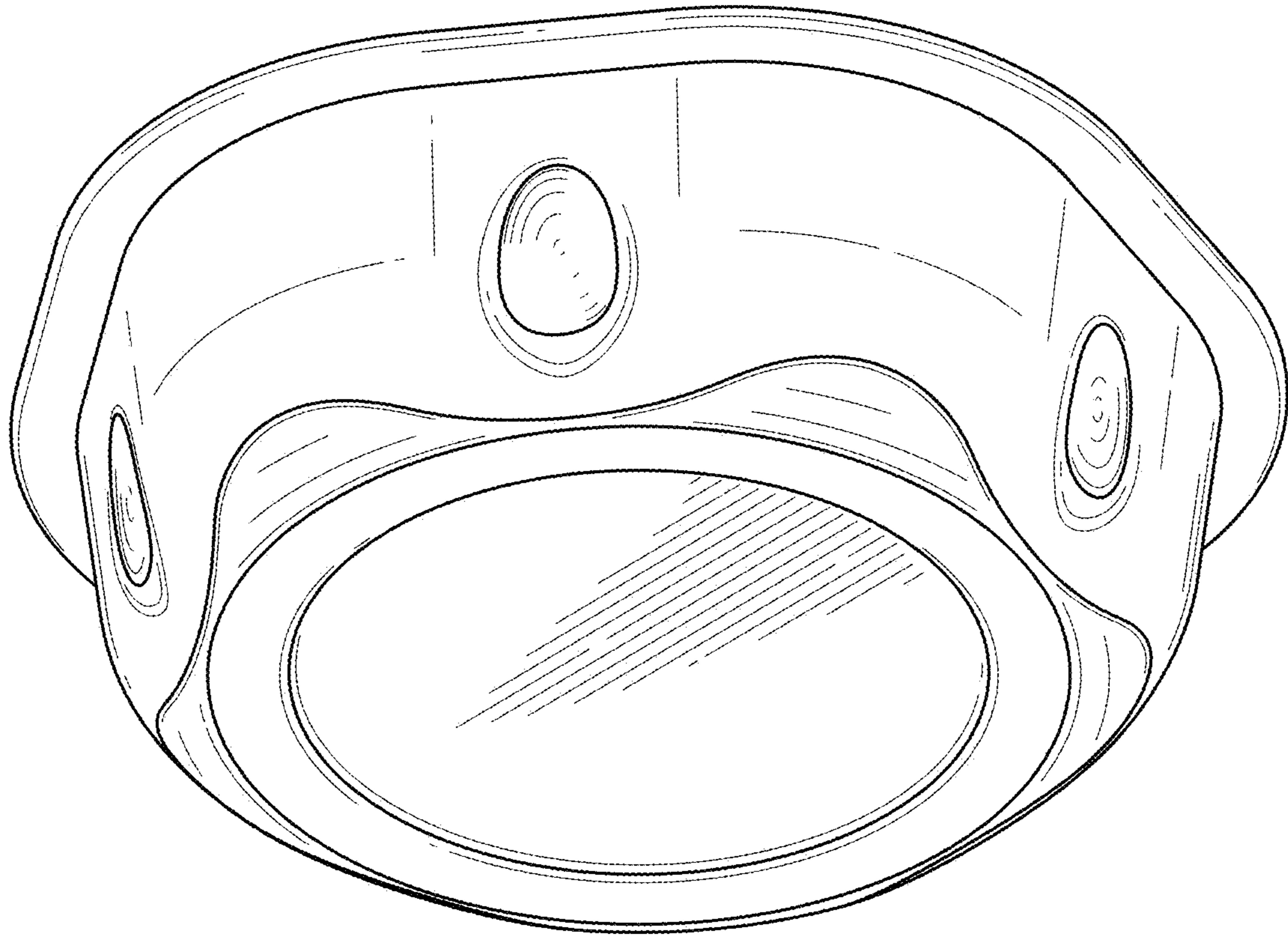


FIG. 10

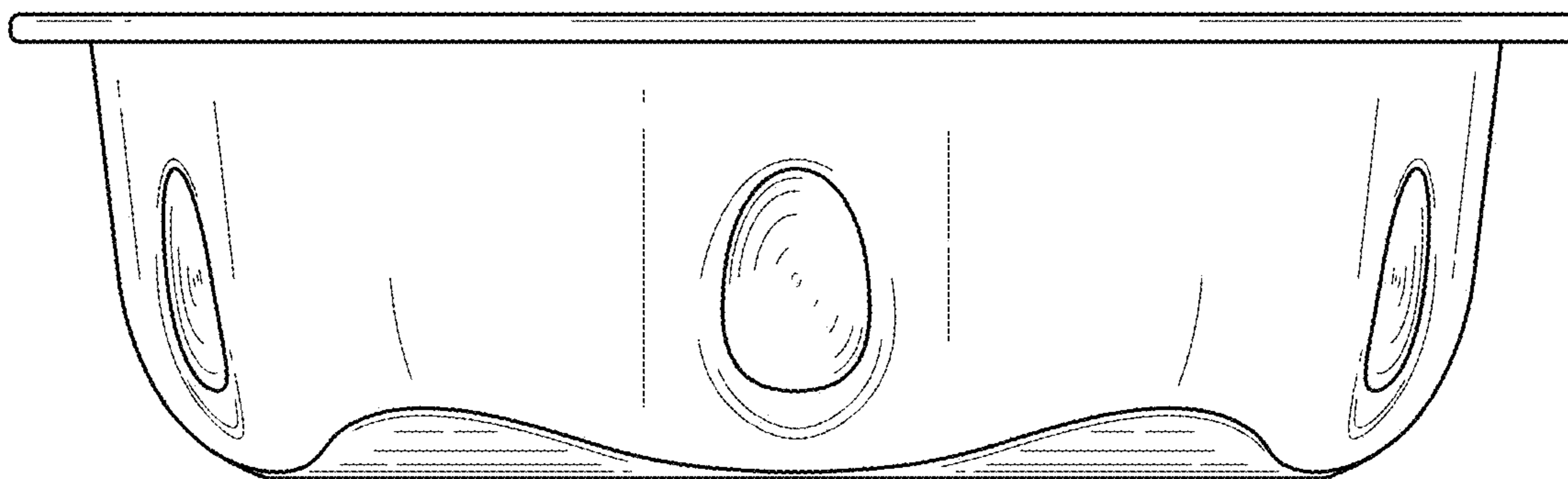


FIG. 11

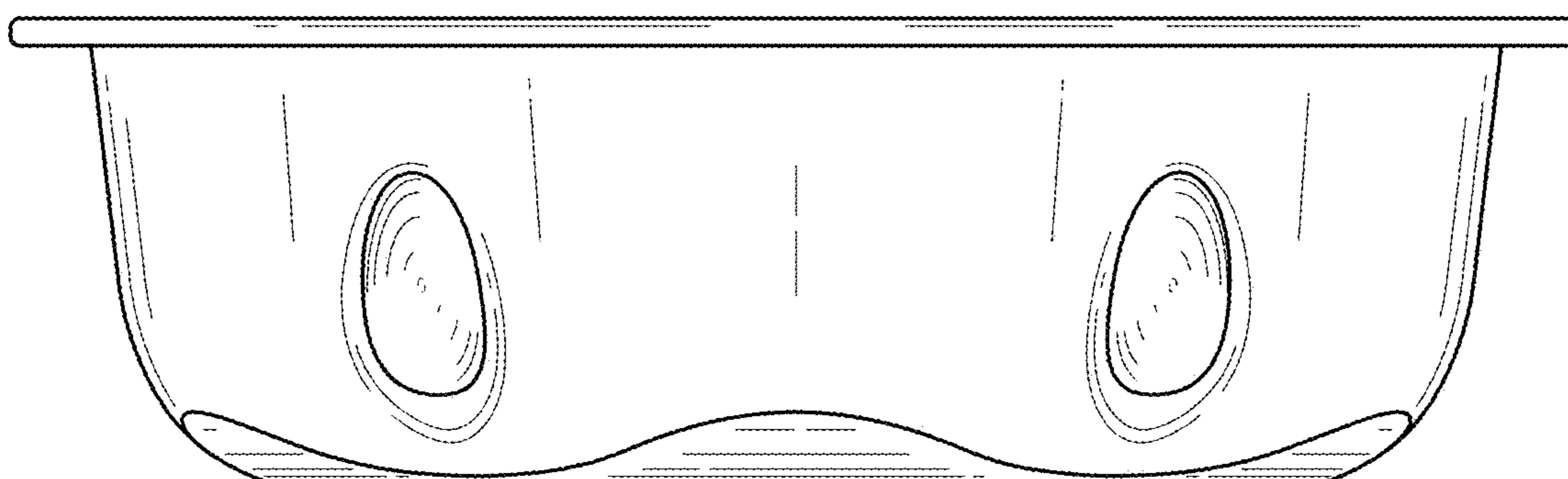


FIG. 12

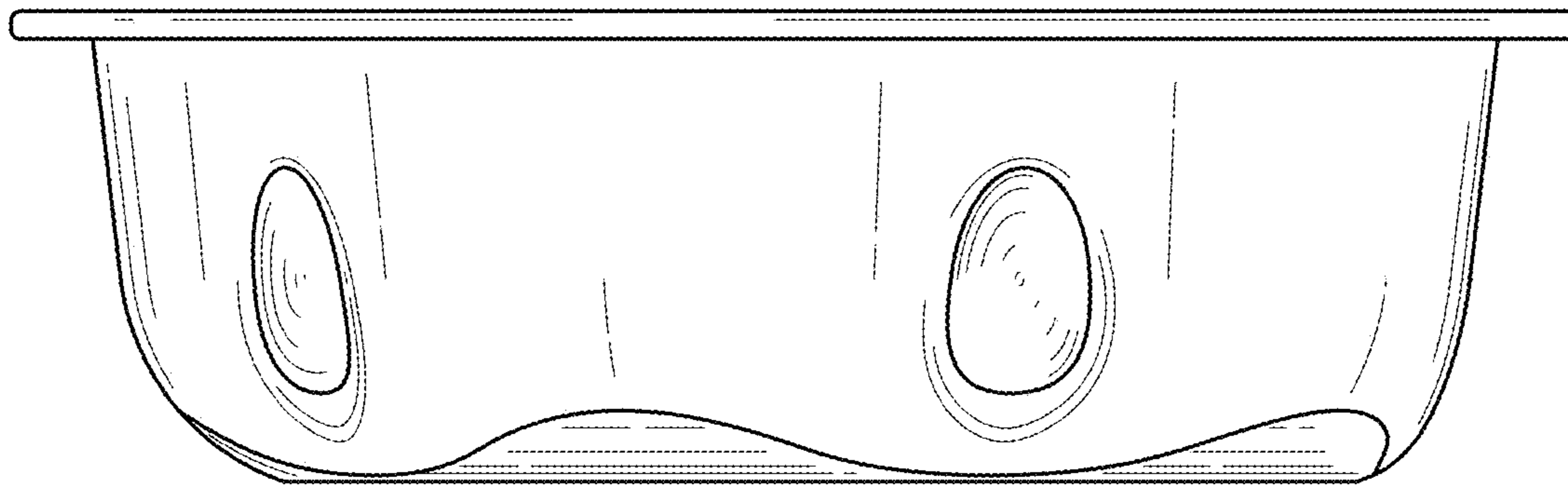


FIG. 13

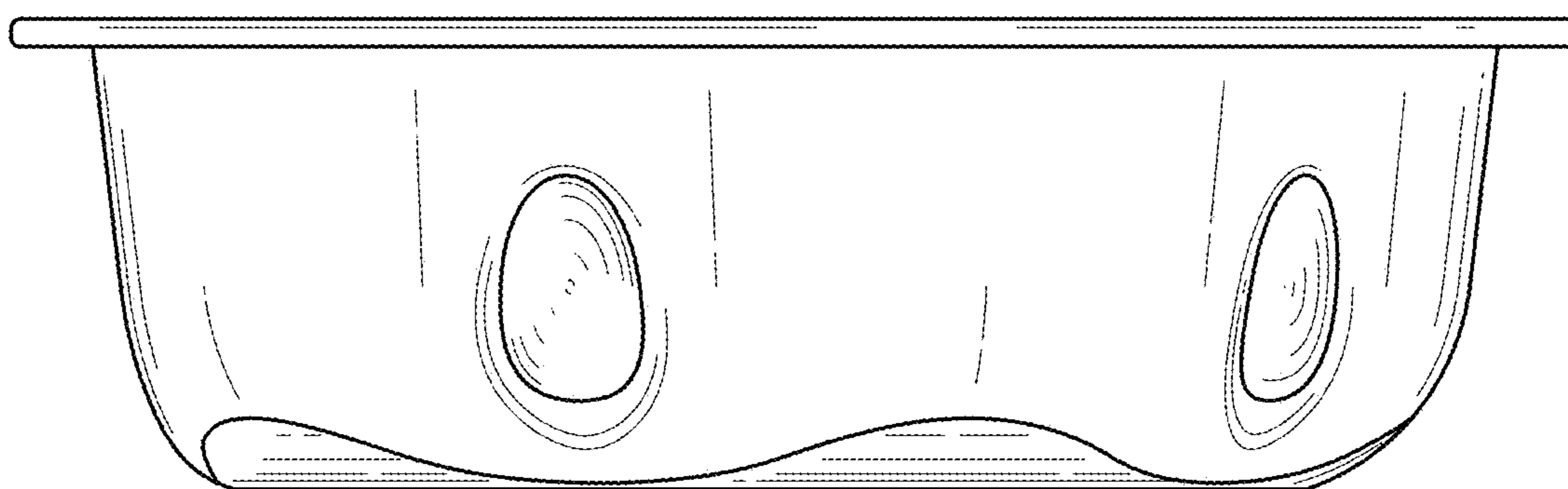


FIG. 14

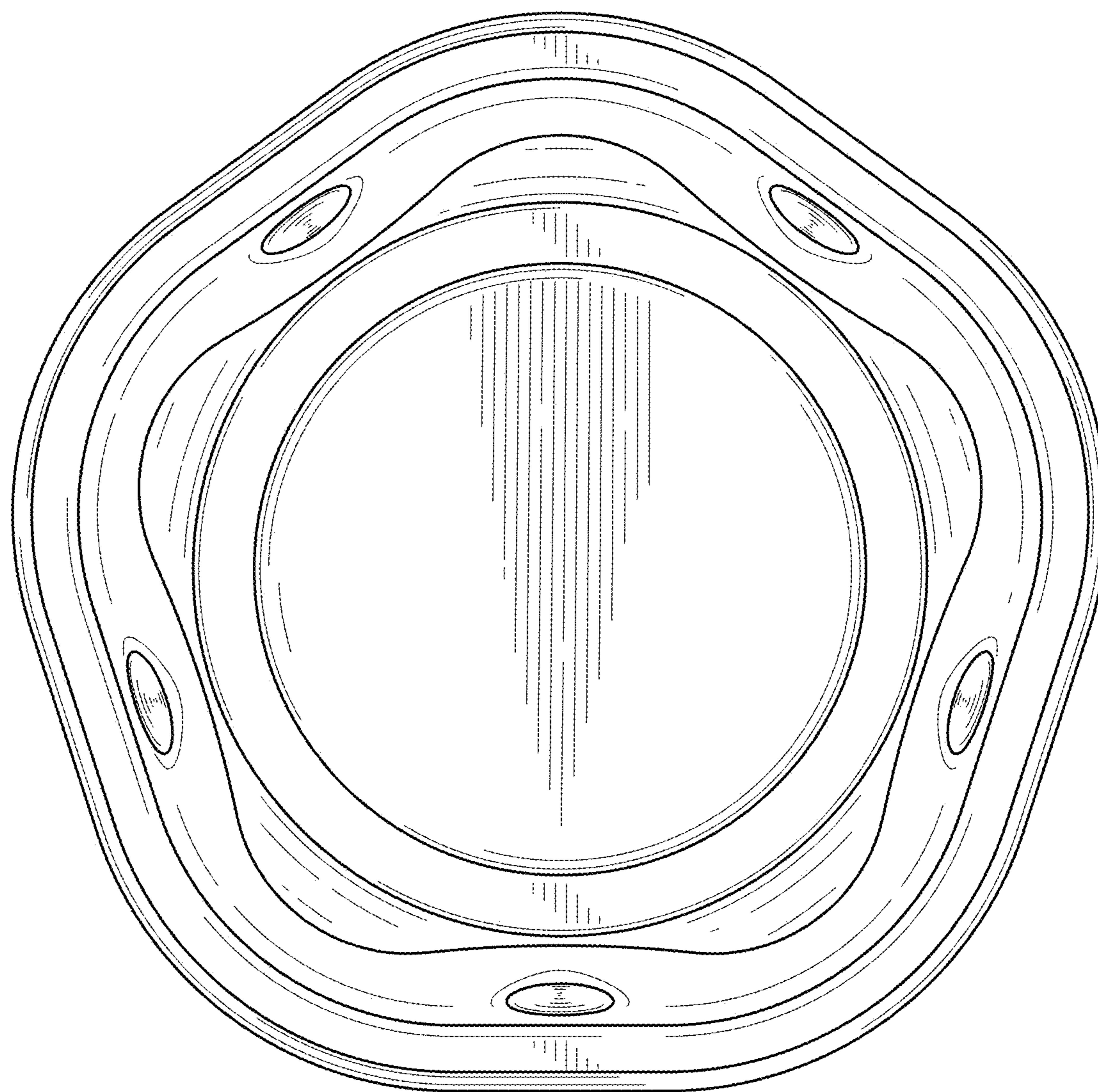


FIG. 15

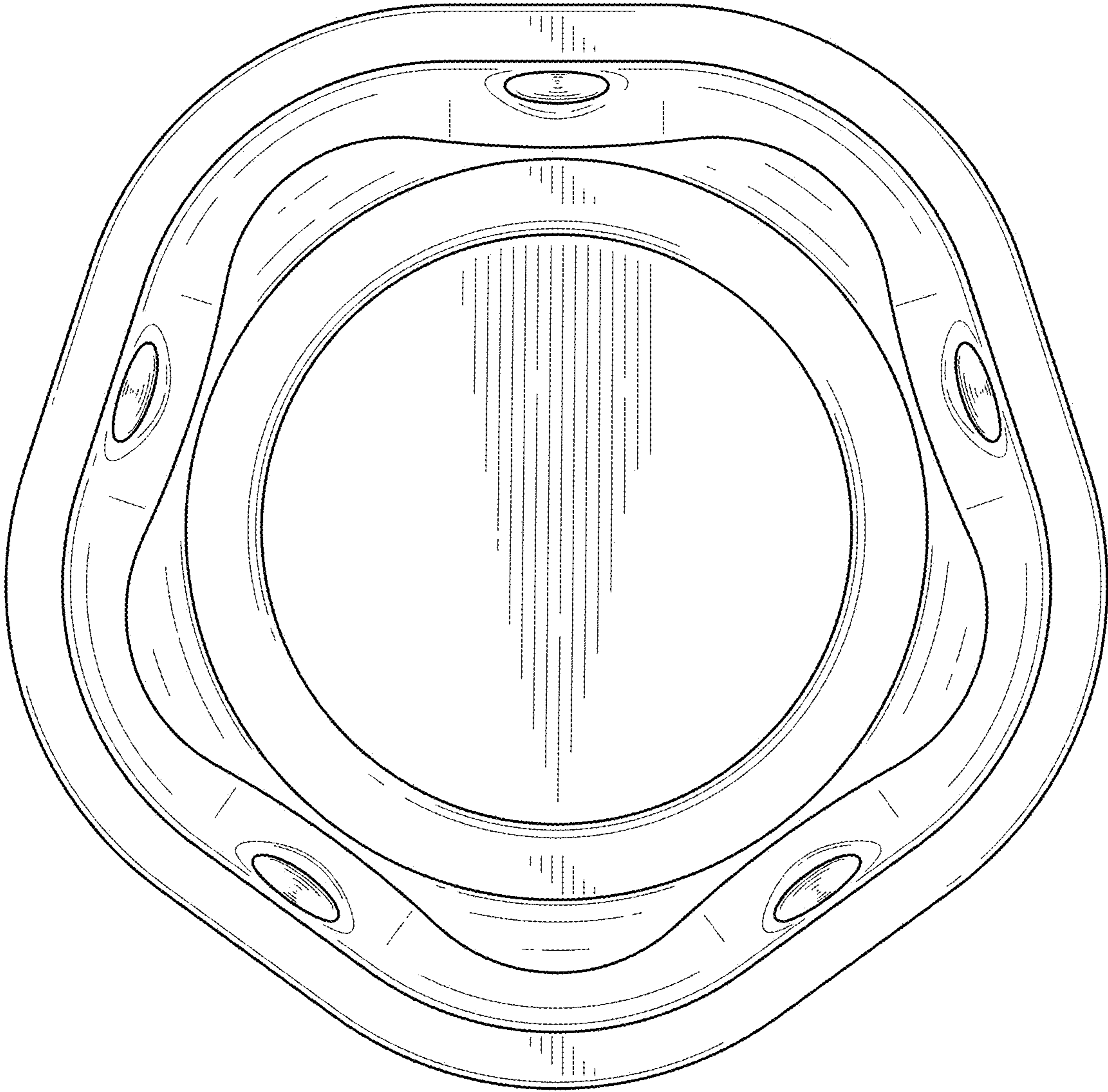


FIG. 16