



US00D969412S

(12) **United States Design Patent**
Painter et al.

(10) **Patent No.:** **US D969,412 S**
(45) **Date of Patent:** **** Nov. 8, 2022**

(54) **PADDED FACE SHIELD**
(71) Applicants: **Joshua Don Painter**, Tulsa, OK (US);
Cherylyn Diane Painter, Tulsa, OK
(US)
(72) Inventors: **Joshua Don Painter**, Tulsa, OK (US);
Cherylyn Diane Painter, Tulsa, OK
(US)

(**) Term: **15 Years**

(21) Appl. No.: **29/652,986**

(22) Filed: **Feb. 2, 2021**

(51) **LOC (13) Cl.** **29-02**

(52) **U.S. Cl.**
USPC **D29/110**

(58) **Field of Classification Search**
USPC D29/105–107, 110, 122; D24/101.1,
D24/101.2; D16/333, 309–311; D2/866
See application file for complete search history.

(56) **References Cited**

U.S. PATENT DOCUMENTS

D318,147 S	7/1991	Russell	
D321,268 S	10/1991	Nix, Jr.	
D347,909 S *	6/1994	Gazzara A41D 13/1184 D29/110
D349,362 S	8/1994	Russell	
D354,589 S	1/1995	Russell	
D361,160 S	8/1995	Russell	
D362,086 S	9/1995	Russell	
D374,951 S	10/1996	Machson	
D652,574 S	1/2012	Stoll	
D670,036 S	10/2012	Folkesson et al.	

D732,242 S	6/2015	Miller et al.	
D853,656 S *	7/2019	Martin A41D 13/1184 D29/110
D882,182 S *	4/2020	Fekete A41D 13/1184 D29/110
D915,681 S *	4/2021	Whitehead D29/110
D915,682 S *	4/2021	Whitehead D29/110
D925,129 S *	7/2021	Wilson D29/110
D926,387 S *	7/2021	Goldberg D29/110
11,206,881 B2 *	12/2021	Sprouse A41D 13/1161
D953,650 S *	5/2022	Quaye D29/122
2012/0047614 A1 *	3/2012	Choi A41D 13/1184 2/9

* cited by examiner

Primary Examiner — Robert A Delehanty
(74) *Attorney, Agent, or Firm* — Squire Patent Consulting
& IP Law LLC; Brendan E. Squire

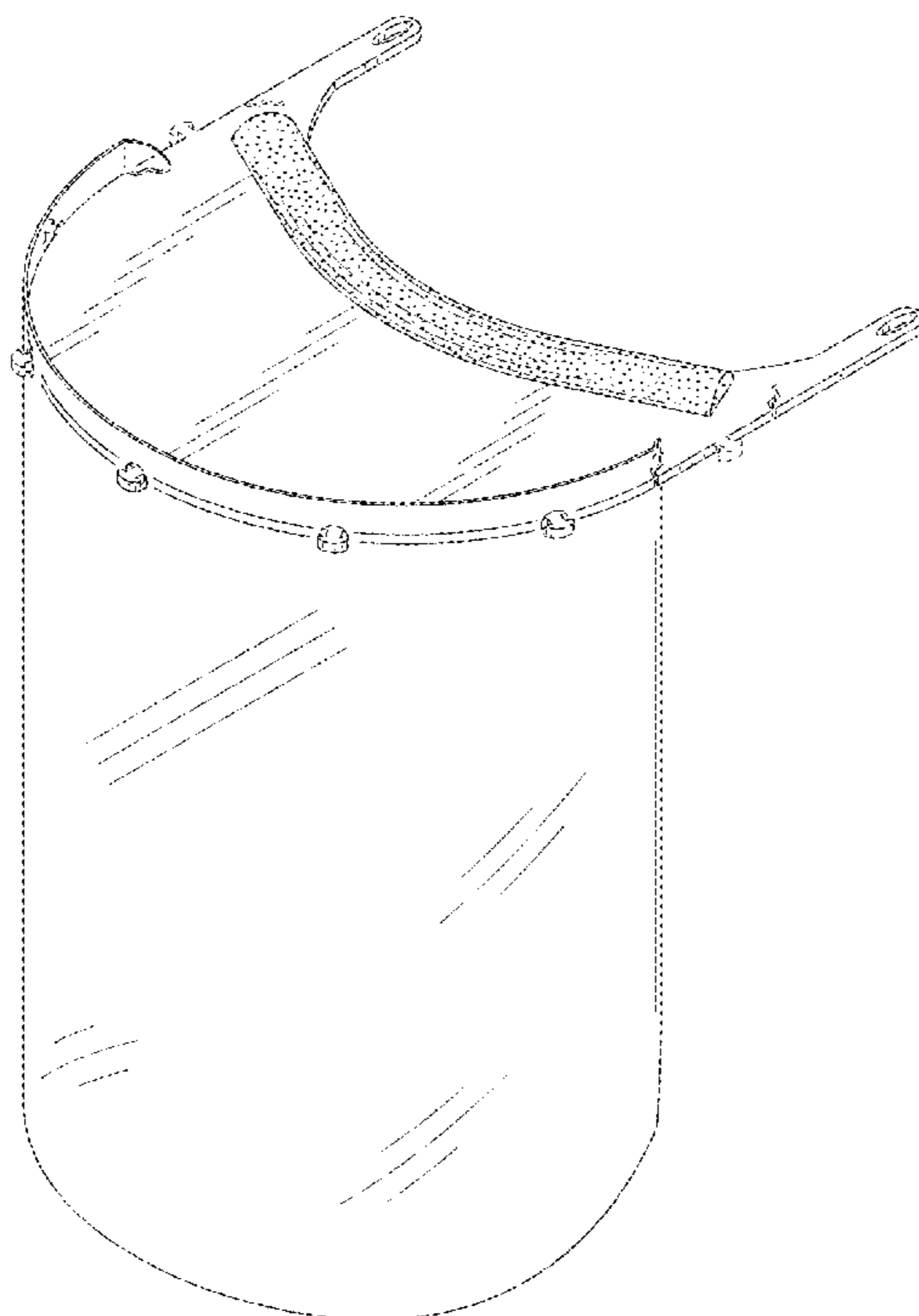
(57) **CLAIM**

The ornamental design for a padded face shield, as shown and described.

DESCRIPTION

FIG. 1 is a top front perspective view of a padded face shield showing our new design;
FIG. 2 is a front elevation view thereof;
FIG. 3 is a rear elevation view thereof;
FIG. 4 is a right elevation view thereof, with the left elevation view being a mirror image thereof;
FIG. 5 is a top plan view thereof;
FIG. 6 is a bottom plan view thereof; and,
FIG. 7 is a top front perspective exploded view thereof.
The broken lines shown in the drawings depict environmental structure that forms no part of the claimed invention.

1 Claim, 4 Drawing Sheets



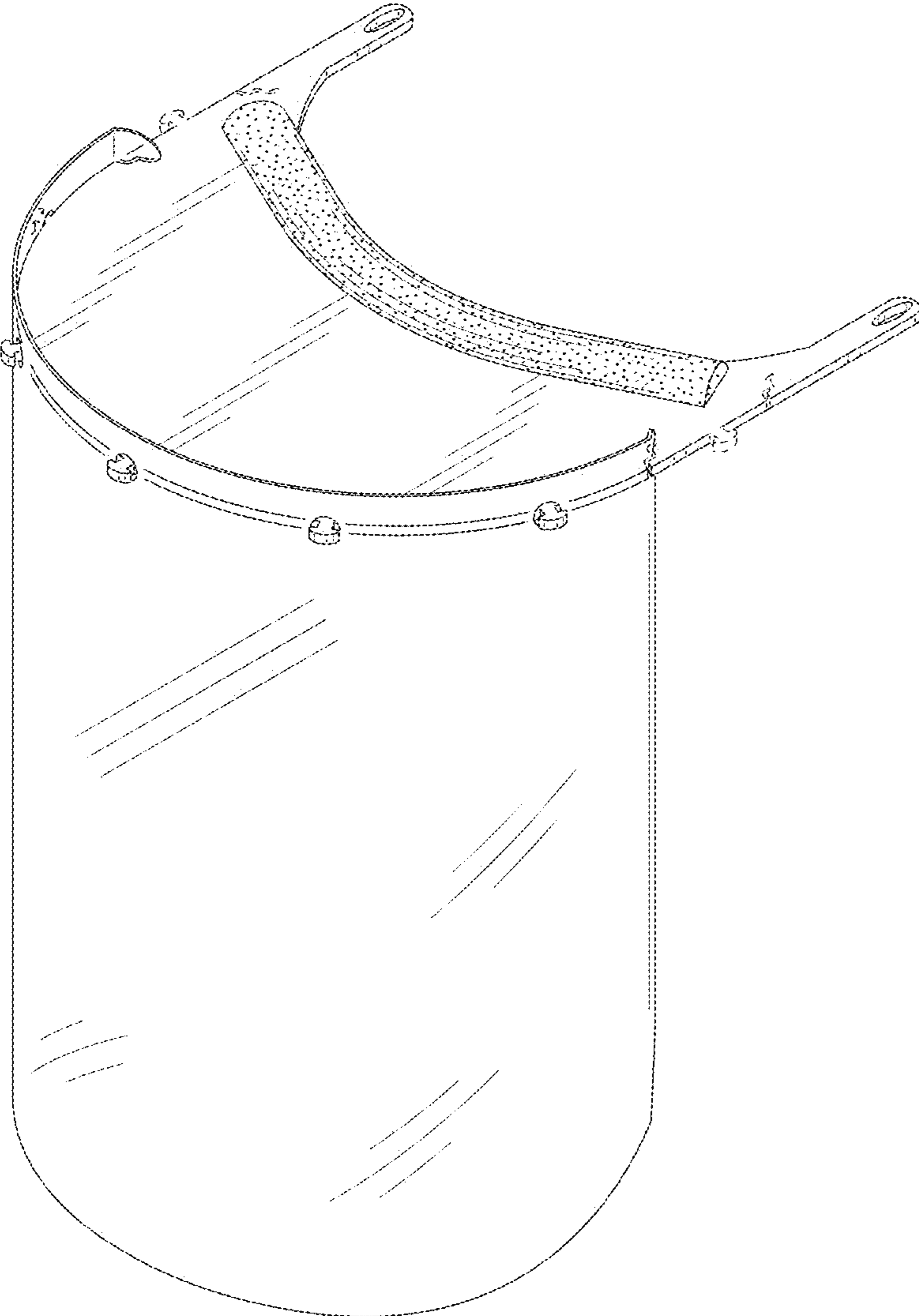


FIG. 1

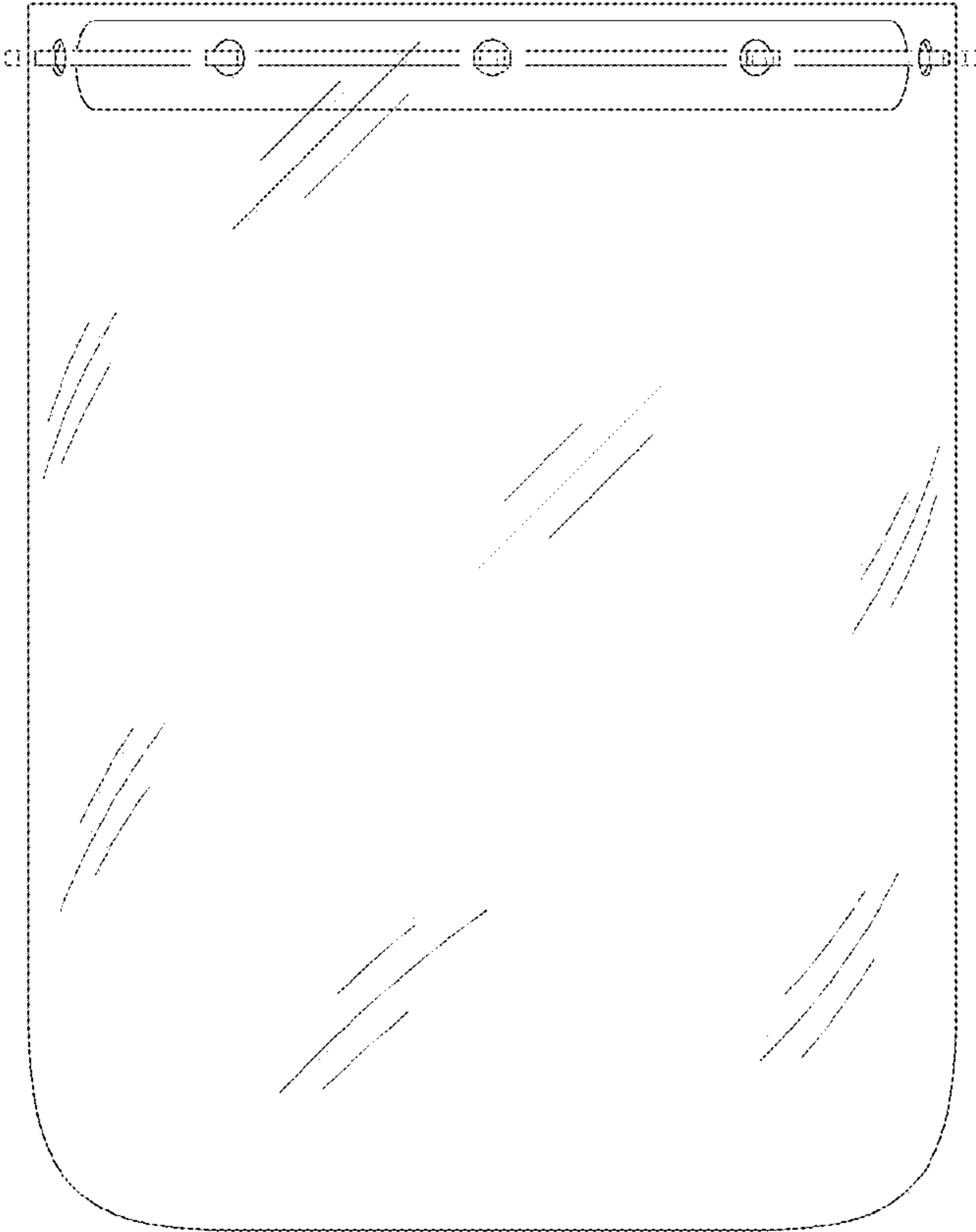


FIG. 2

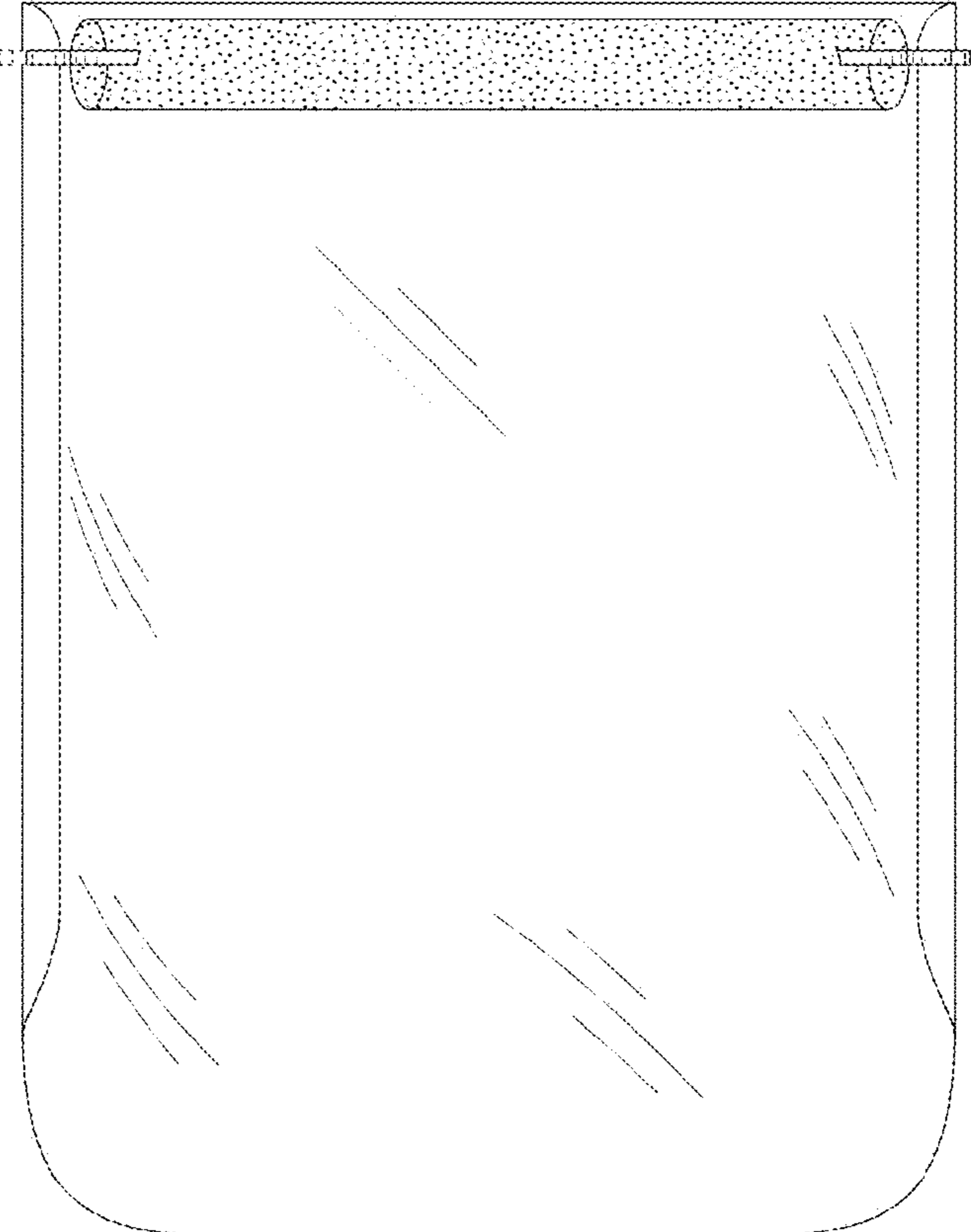


FIG. 3

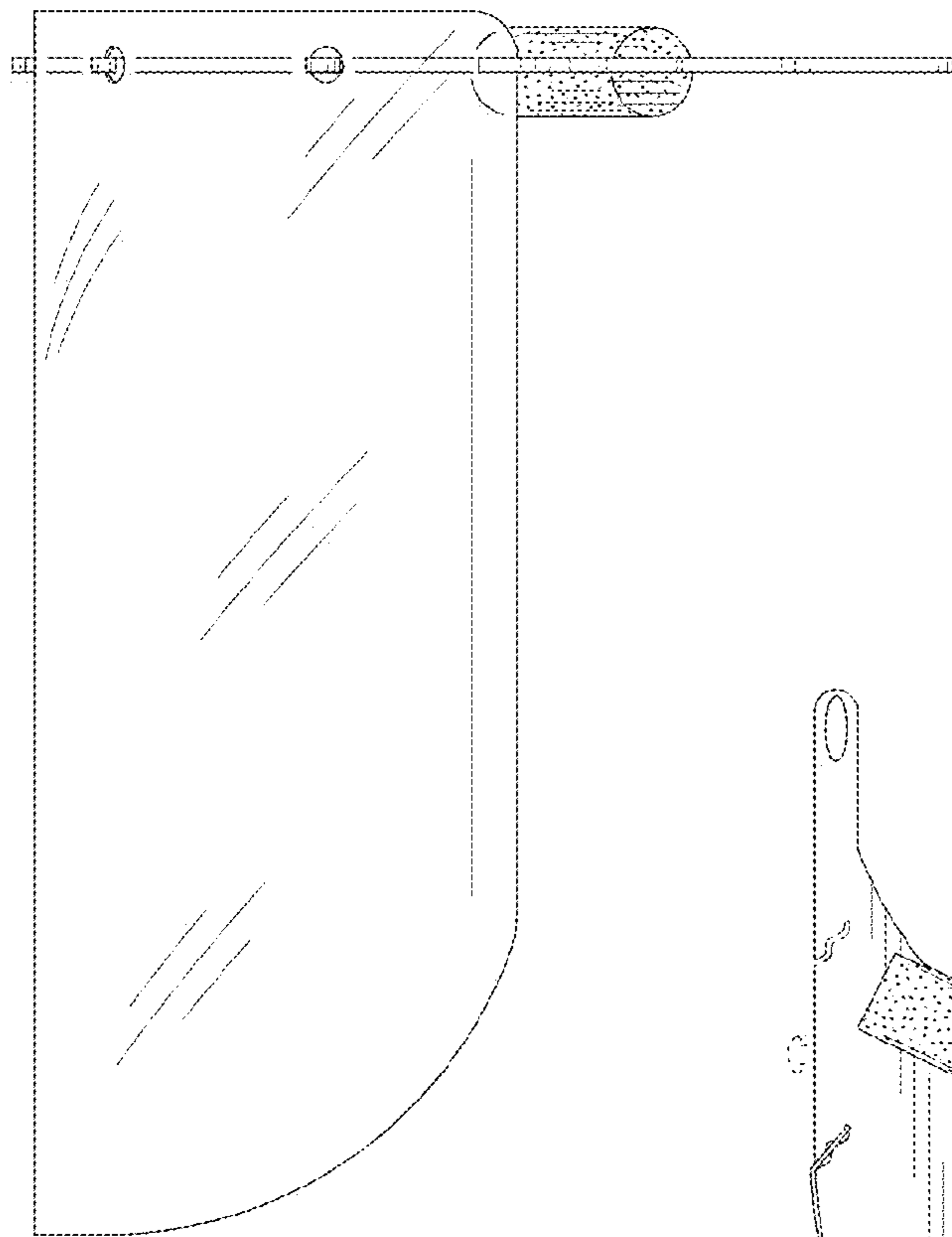


FIG. 4

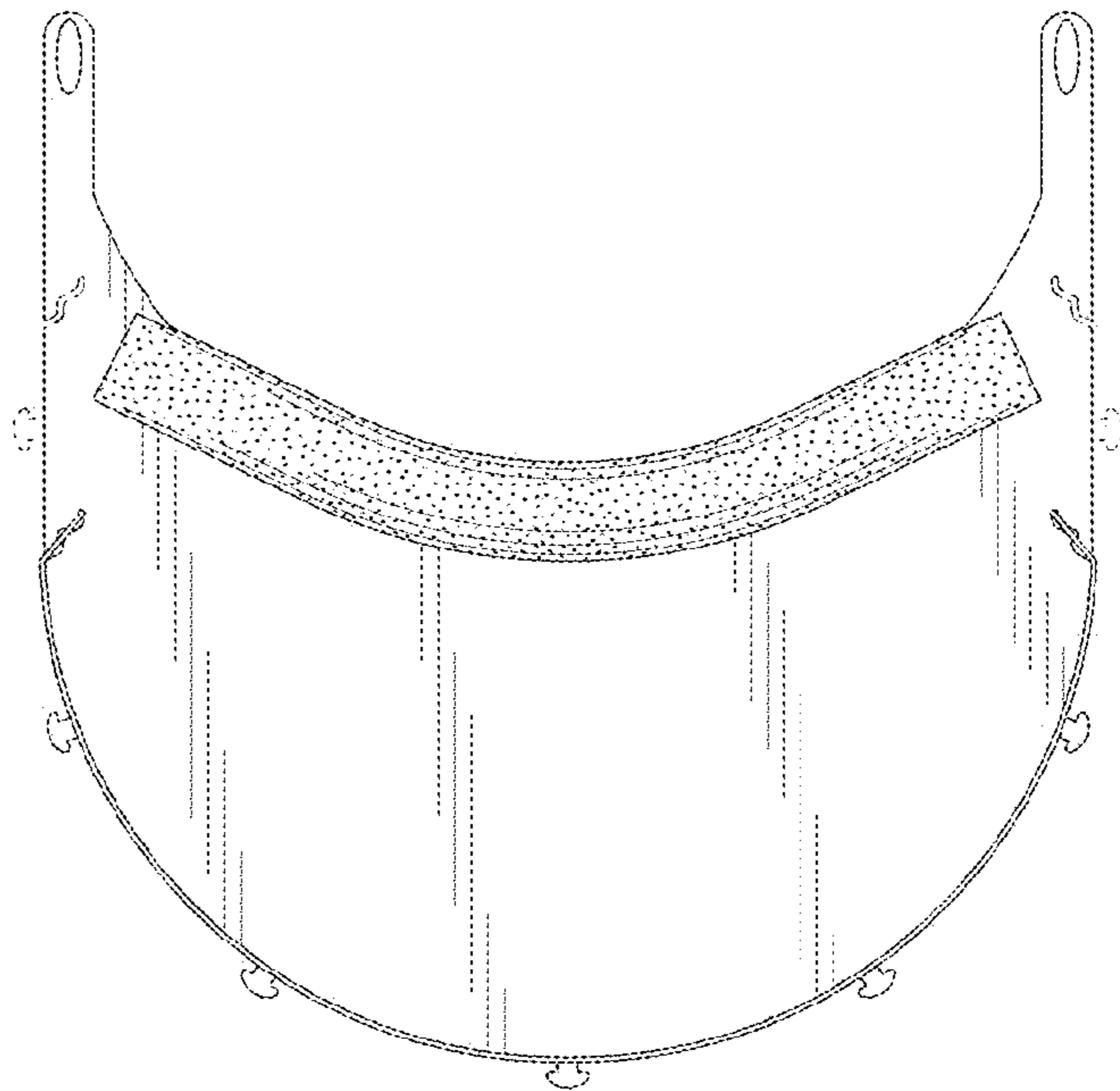


FIG. 5

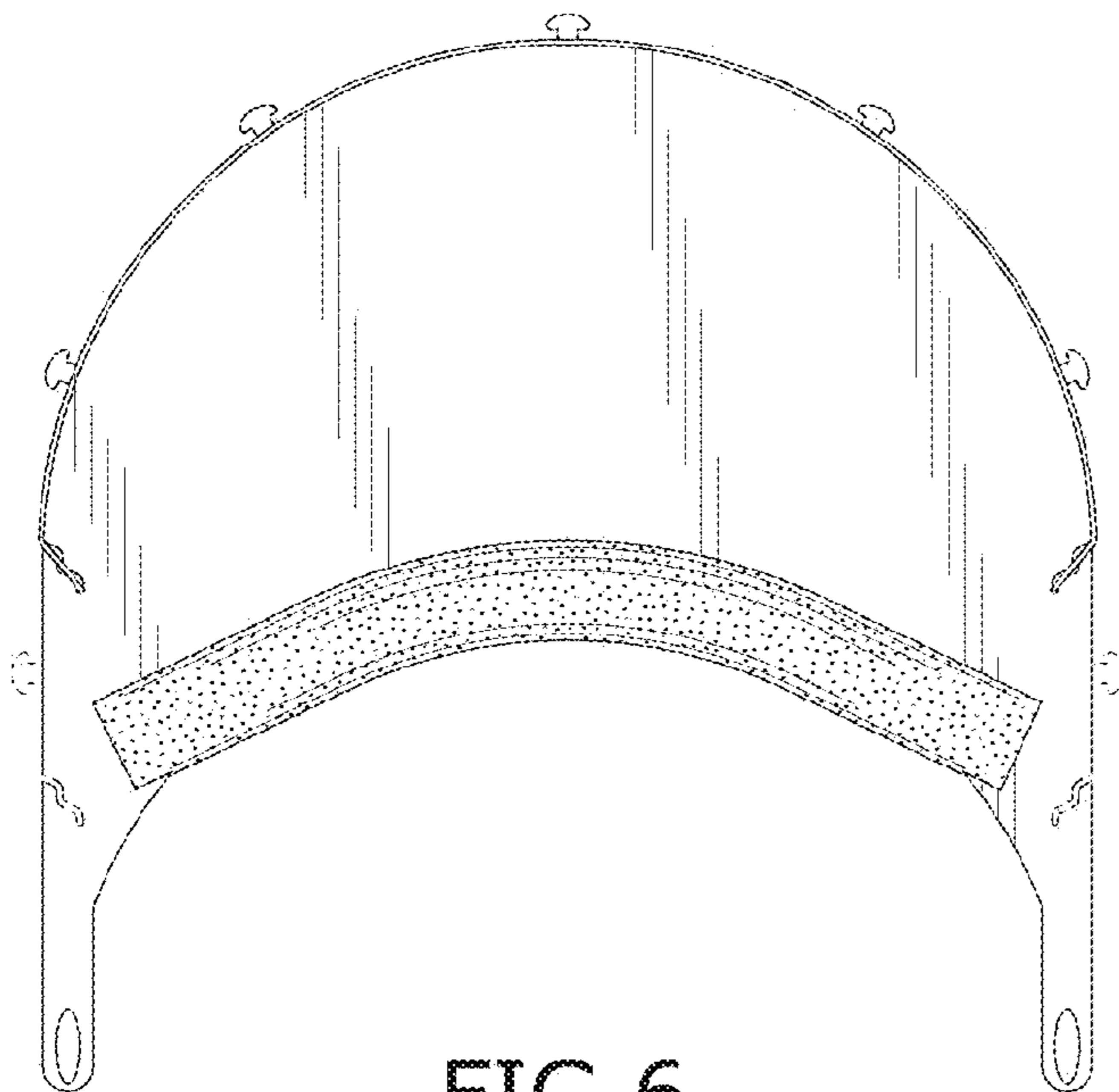


FIG. 6

