



US00D969404S

(12) **United States Design Patent** (10) **Patent No.:** **US D969,404 S**
Bender et al. (45) **Date of Patent:** **** Nov. 8, 2022**

(54) **EYELINER STENCIL**
(71) Applicants: **Beth Bender**, Los Angeles, CA (US);
Paolo Marchica, Van Nuys, CA (US)
(72) Inventors: **Beth Bender**, Los Angeles, CA (US);
Paolo Marchica, Van Nuys, CA (US)
(**) Term: **15 Years**
(21) Appl. No.: **29/841,020**
(22) Filed: **Jun. 2, 2022**
(51) **LOC (13) Cl.** **28-03**
(52) **U.S. Cl.**
USPC **D28/7**
(58) **Field of Classification Search**
USPC D28/4, 7, 9, 92, 99; D19/37, 39, 40
CPC A45D 40/30; A45D 26/0014
See application file for complete search history.

D611,534 S 9/2010 Voss
D620,978 S 9/2010 Voss
D621,874 S 9/2010 Voss
7,798,061 B2 9/2010 Dilou
D625,623 S 10/2010 Smink
D639,855 S 6/2011 Fried
D642,617 S 8/2011 Eckardt
8,015,981 B2 9/2011 Soare
D663,769 S 7/2012 Sward
D668,975 S 10/2012 Phillips
8,342,190 B2 1/2013 Soare
8,459,274 B2 6/2013 Ducoffre
8,752,563 B2 6/2014 Lieu
8,763,614 B2 7/2014 Soare
8,881,740 B2 11/2014 Soare
D753,219 S 4/2016 Needham
D758,007 S * 5/2016 Marchica D28/7
D765,311 S * 8/2016 Marchica D28/7

(Continued)

Primary Examiner — Zenia I Bennett
(74) *Attorney, Agent, or Firm* — Kevin Keener; Stephen Presutti

(56) **References Cited**
U.S. PATENT DOCUMENTS

4,563,154 A 1/1986 Vandervort
4,610,096 A 9/1986 Sahler
4,799,317 A 1/1989 Christian
4,862,597 A 9/1989 Drandell
5,186,190 A 2/1993 Hirzel
D356,822 S 3/1995 Volk
5,652,959 A 9/1997 Proctor
5,662,129 A 9/1997 Grenevitch
D398,250 S 9/1998 Dietterich
5,836,998 A 11/1998 Mueller
5,873,375 A 3/1999 Johnson
6,213,131 B1 4/2001 Vien
6,240,842 B1 6/2001 Hailey
6,336,462 B1 1/2002 Santelli
D471,232 S 3/2003 Gulden
D497,948 S 11/2004 Miller
D533,302 S * 12/2006 Luciano D28/7
D553,187 S 10/2007 Bradley
D593,153 S 5/2009 Eckardt

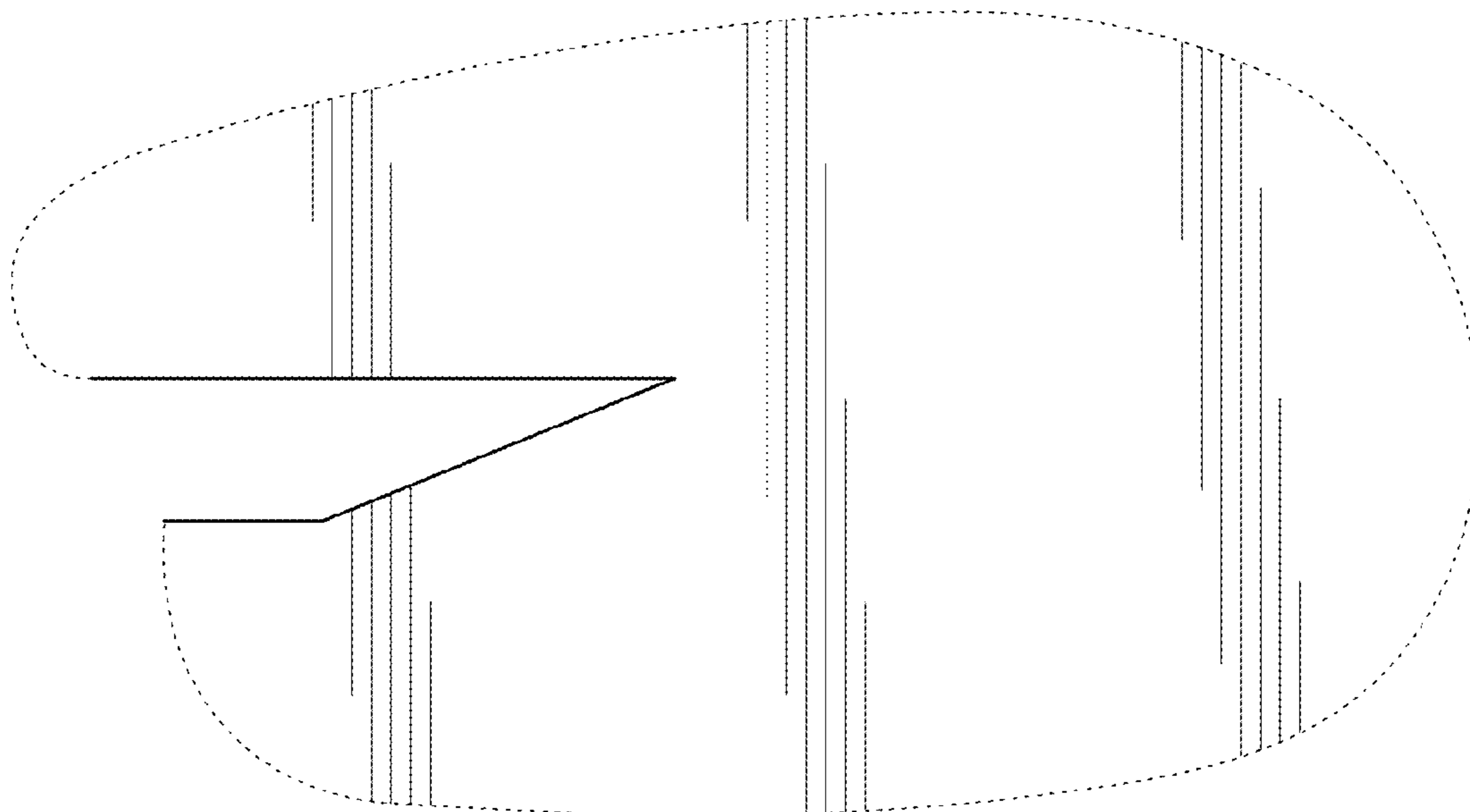
(57) **CLAIM**

The ornamental design for an eyeliner stencil, as shown and described.

DESCRIPTION

FIG. 1 is a perspective view of an eyeliner stencil showing my new design;
FIG. 2 is a front view of the eyeliner stencil;
FIG. 3 is a rear view of the eyeliner stencil;
FIG. 4 is a left side view of the eyeliner stencil;
FIG. 5 is a right side view of the eyeliner stencil;
FIG. 6 is a top plan view of the eyeliner stencil; and,
FIG. 7 is a bottom plan view of the eyeliner stencil.
The broken lines in the drawing depicting portions of the eyeliner stencil are for illustrative purposes only and form no part of the claimed design.

1 Claim, 4 Drawing Sheets



(56)

References Cited

U.S. PATENT DOCUMENTS

D765,312	S	*	8/2016	Marchica	D28/7
D775,763	S	*	1/2017	Marchica	D28/7
D793,621	S		8/2017	Brambilla		
D800,963	S	*	10/2017	Marchica	D28/7
D809,197	S	*	1/2018	Marchica	D28/7
D809,199	S	*	1/2018	Marchica	D28/7
D811,655	S	*	2/2018	Marchica	D28/7
D814,697	S	*	4/2018	Marchica	D28/7
D814,698	S	*	4/2018	Marchica	D28/7
D827,925	S	*	9/2018	Marchica	D28/7
D826,324	S		12/2018	Cornett		
D841,880	S		2/2019	Jing		
D858,630	S		9/2019	McCormick		
D868,157	S		11/2019	Swisher		
D868,158	S		11/2019	Swisher		
D868,159	S		11/2019	Swisher		
D895,931	S		9/2020	Motteli		
D901,073	S		11/2020	Wu		
2005/0066992	A1		3/2005	Carsh		

* cited by examiner

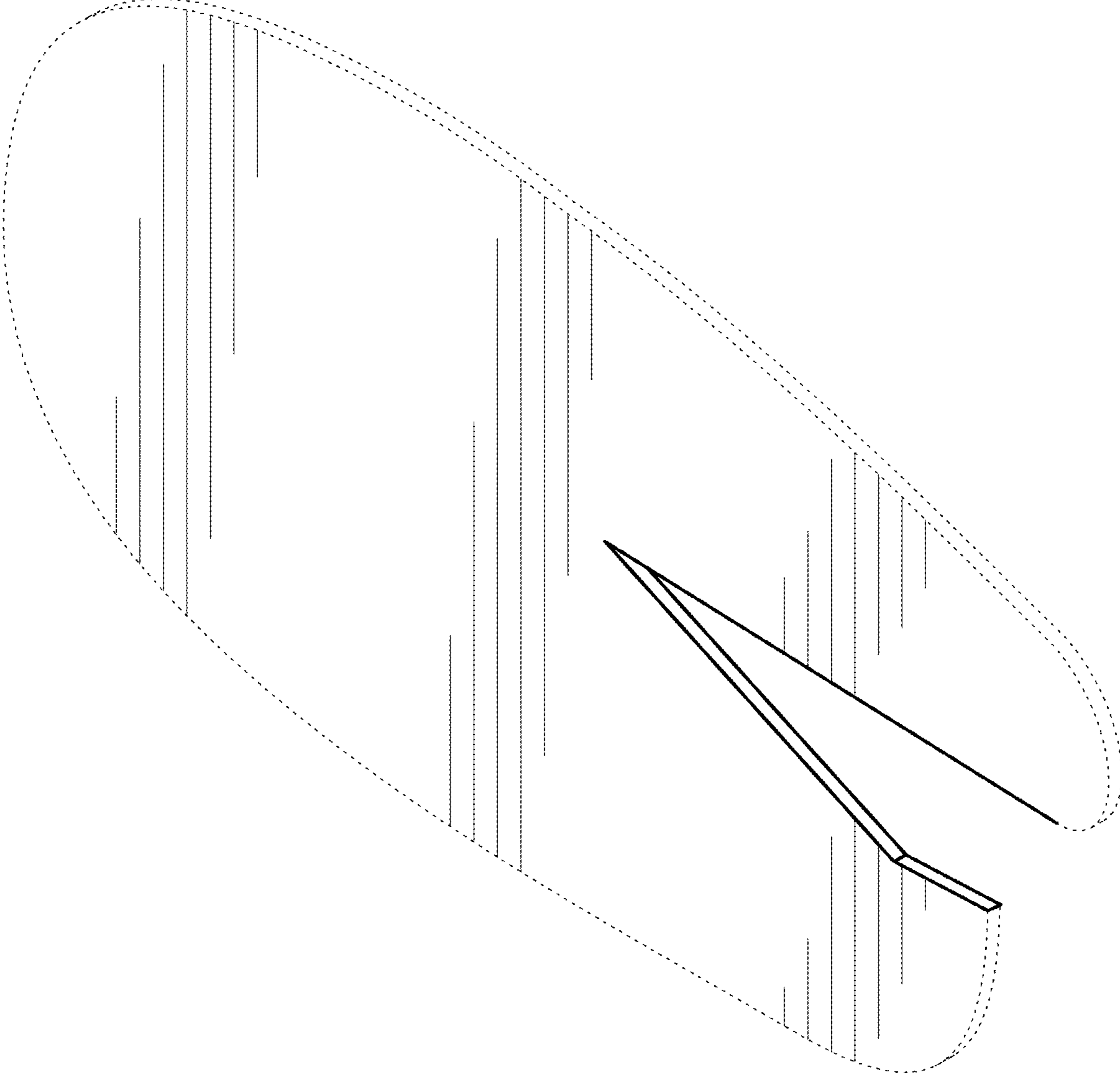


FIG. 1

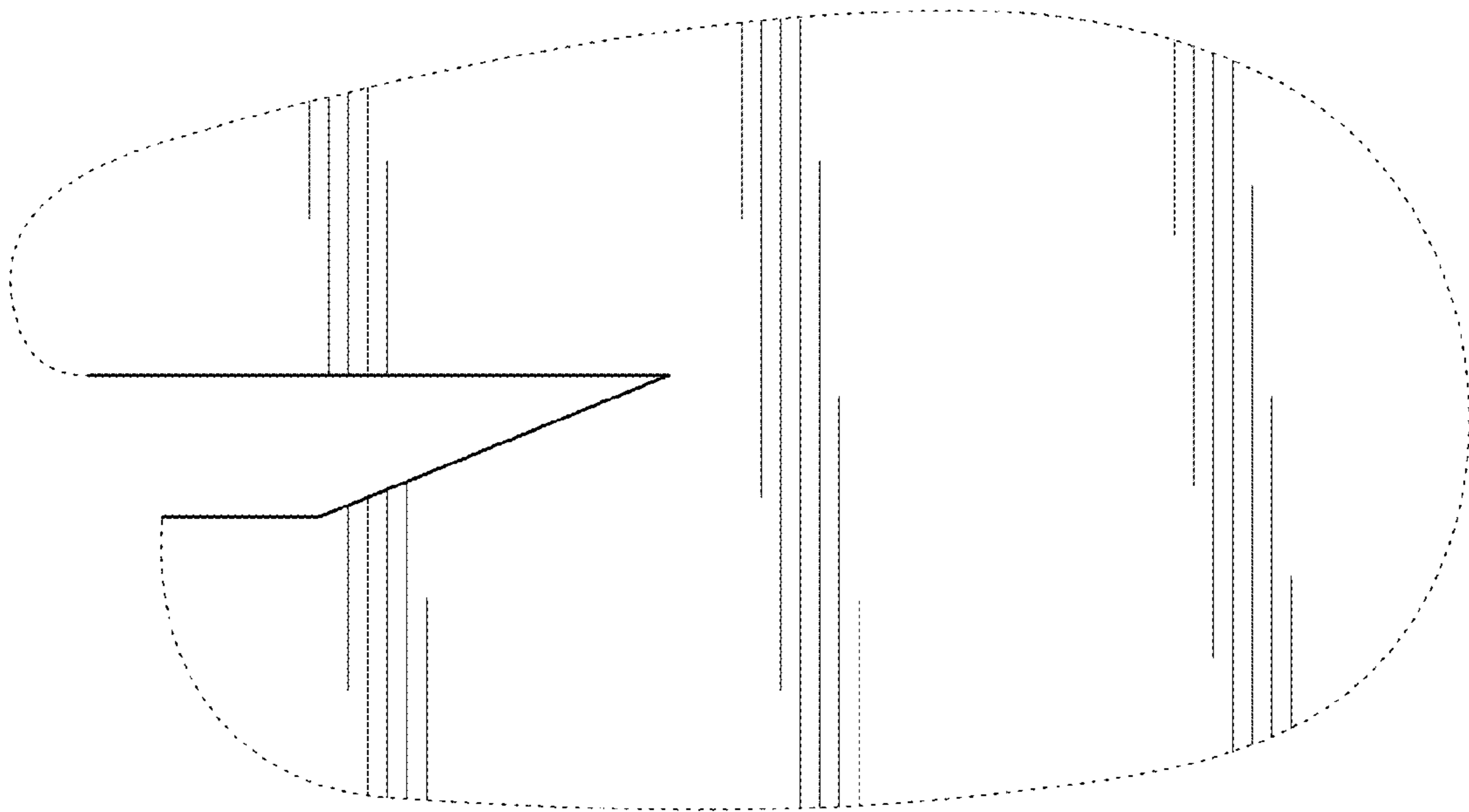


FIG. 2

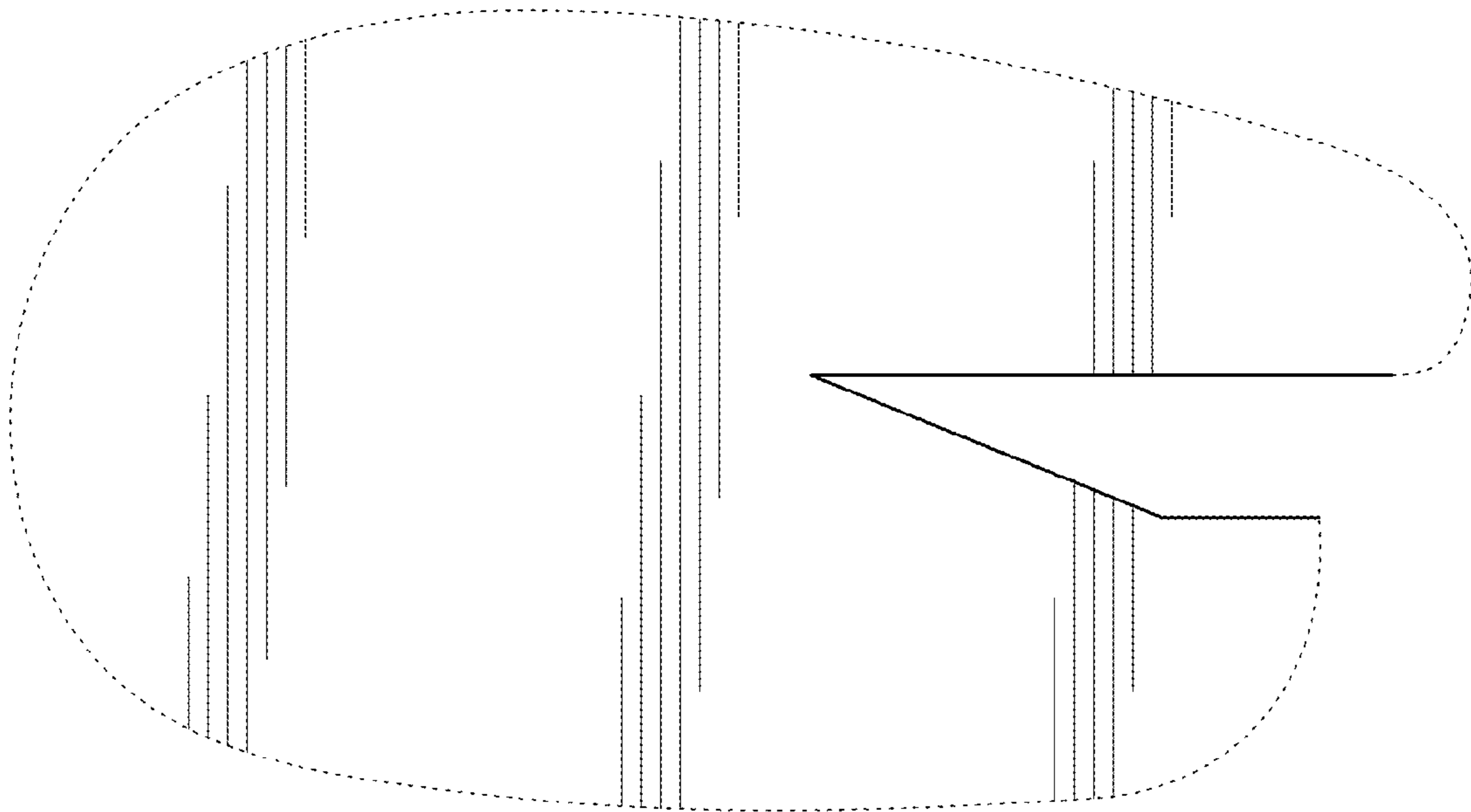


FIG. 3



FIG. 4

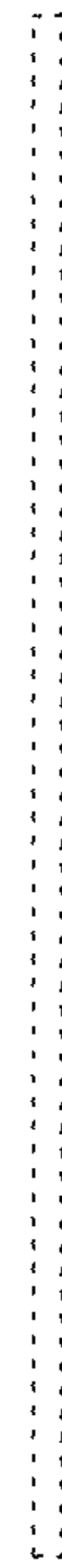


FIG. 5

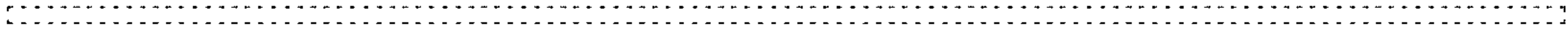


FIG. 6

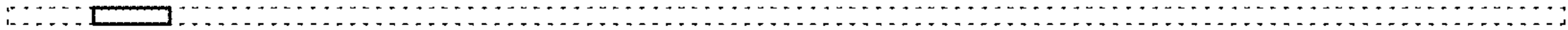


FIG. 7