



US00D969403S

(12) **United States Design Patent** (10) **Patent No.:** **US D969,403 S**
Gao (45) **Date of Patent:** **** Nov. 8, 2022**

- (54) **EYEBROW STAMP**
- (71) Applicant: **Qingdao Pusen Industry and Trade Co., Ltd., Shandong (CN)**
- (72) Inventor: **Sensen Gao, Shandong (CN)**
- (73) Assignee: **Qingdao Pusen Industry and Trade Co., Ltd., Qingdao (CN)**
- (**) Term: **15 Years**
- (21) Appl. No.: **29/814,417**
- (22) Filed: **Nov. 5, 2021**
- (51) **LOC (13) Cl.** **28-03**
- (52) **U.S. Cl.**
USPC **D28/7**
- (58) **Field of Classification Search**
USPC D28/7, 20, 76, 85; D19/36
CPC . A45D 40/20; A45D 40/24; A45D 2200/1072
See application file for complete search history.

- D504,542 S * 4/2005 Noh D28/76
 - D506,027 S * 6/2005 Angeletta D28/7
 - D543,658 S * 5/2007 Angeletta D28/7
 - D555,835 S * 11/2007 Song D28/91
 - D705,986 S * 5/2014 Pires D28/7
 - D741,068 S * 10/2015 Frazier D28/7
 - D853,025 S 7/2019 Washington
 - D890,986 S 7/2020 Choi
 - 2001/0027796 A1* 10/2001 Bouix A45D 40/0087
132/318
 - 2021/0259393 A1* 8/2021 Thompson A45D 34/04
- * cited by examiner

Primary Examiner — Zenia I Bennett

(57) **CLAIM**

The ornamental design for a eyebrow stamp, as shown and described.

DESCRIPTION

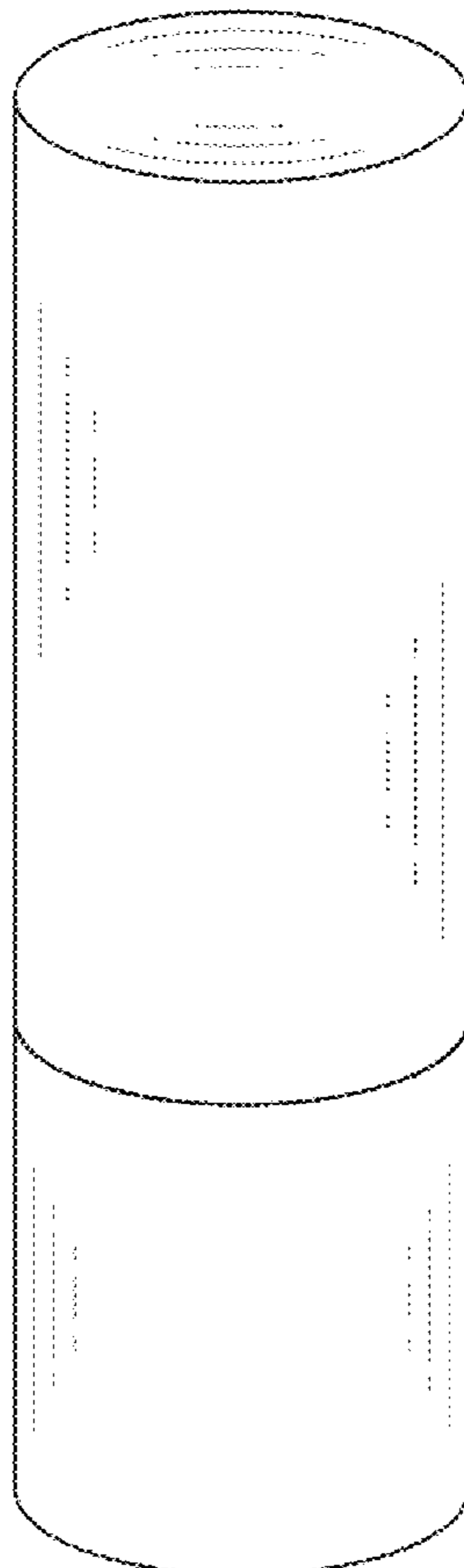
FIG. 1 is a perspective view of a eyebrow stamp showing my new design;
 FIG. 2 is an alternative perspective view thereof;
 FIG. 3 is another perspective view thereof;
 FIG. 4 is a front view thereof;
 FIG. 5 is a hack view thereof;
 FIG. 6 is a left side view thereof;
 FIG. 7 is a right side view thereof;
 FIG. 8 is a top plan view thereof; and,
 FIG. 9 is a bottom plan view thereof.

1 Claim, 9 Drawing Sheets

(56) **References Cited**

U.S. PATENT DOCUMENTS

- D240,711 S * 7/1976 Angleman D9/504
- D437,556 S * 2/2001 Holliday D9/454
- D485,017 S * 1/2004 Noh D28/76



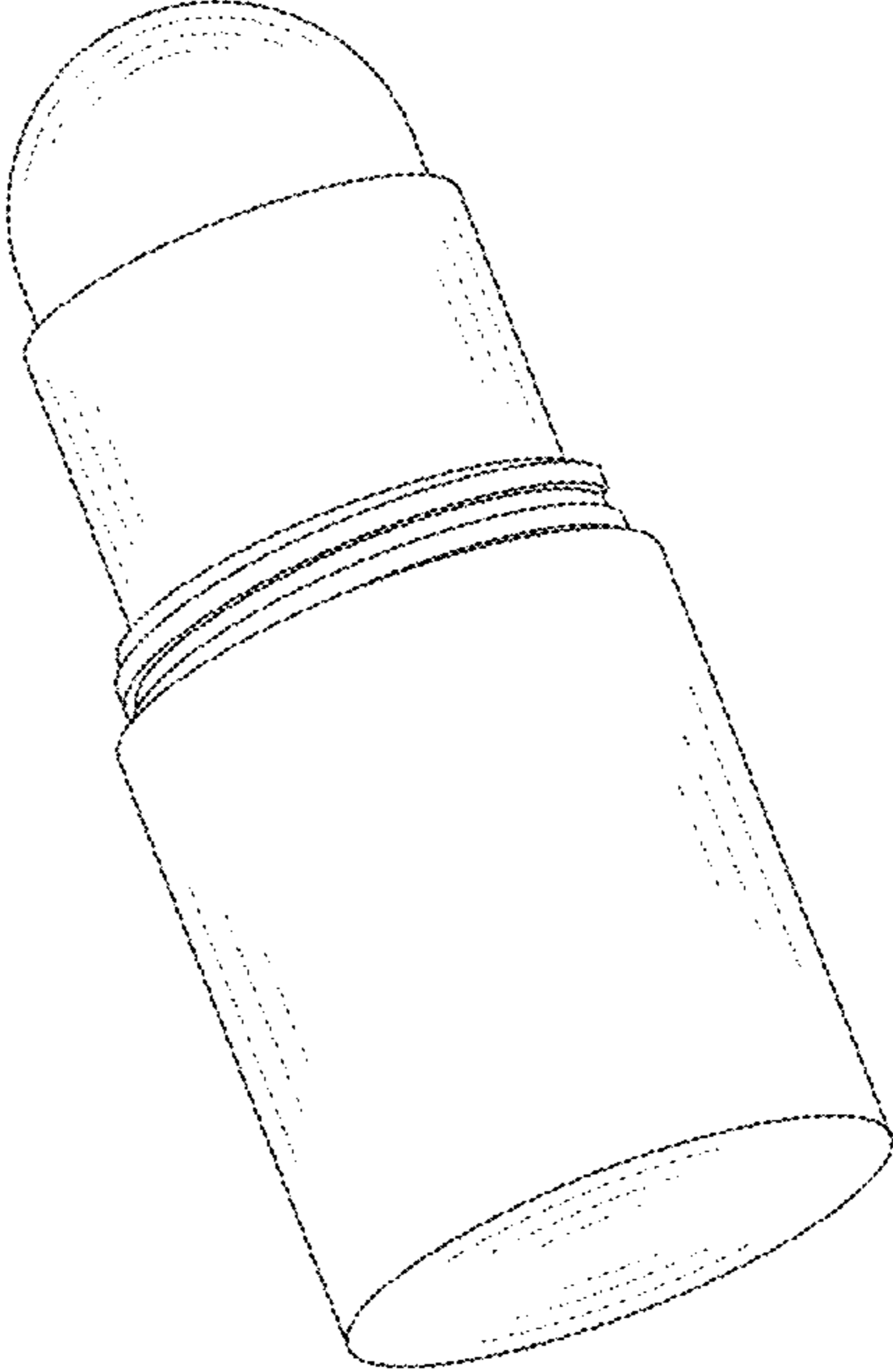
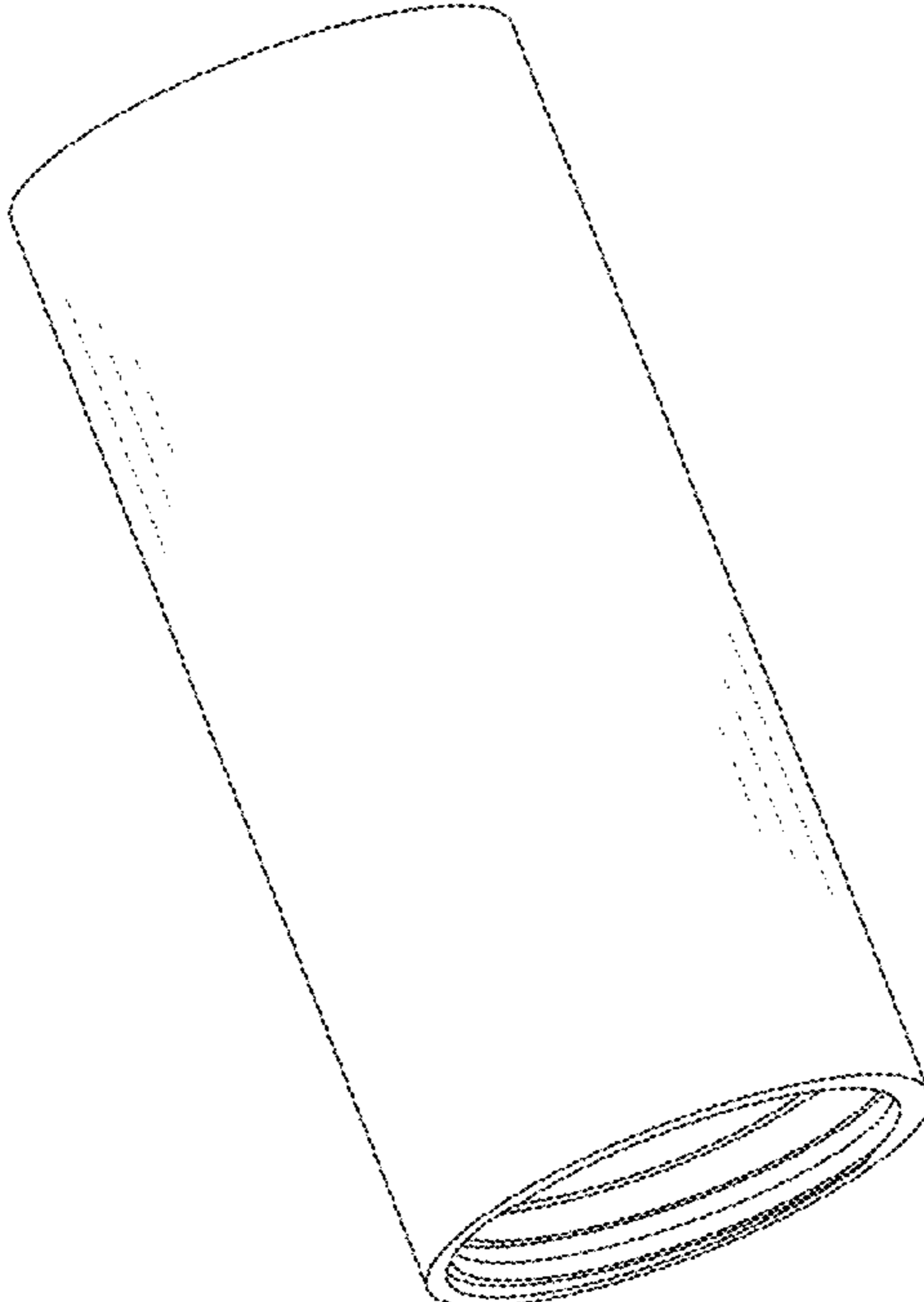


FIG.1

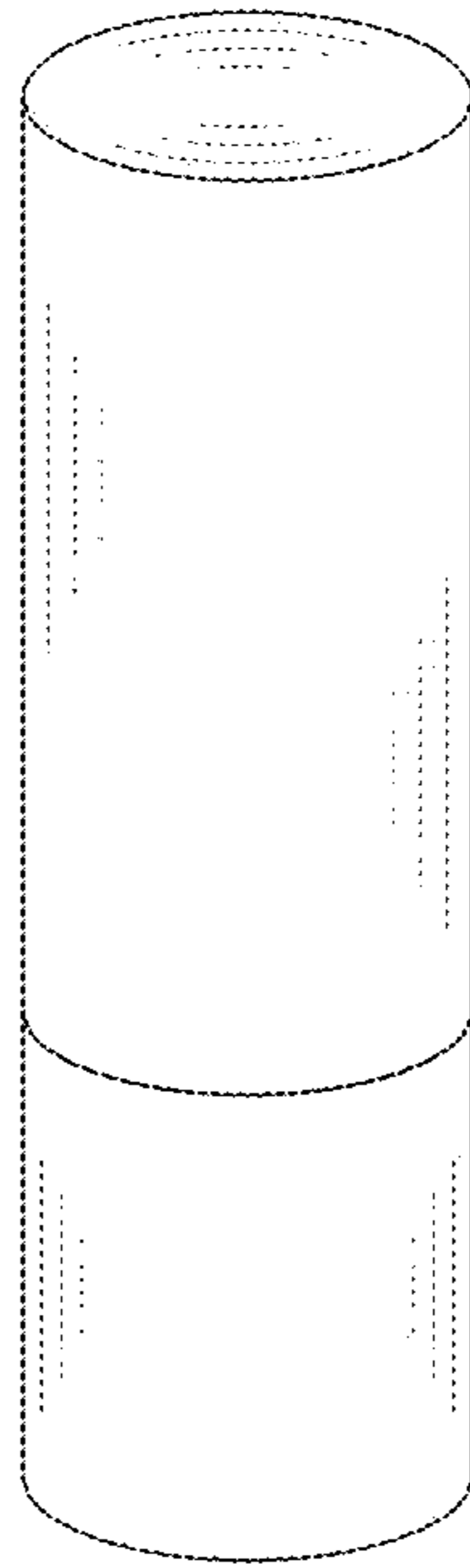


FIG.2

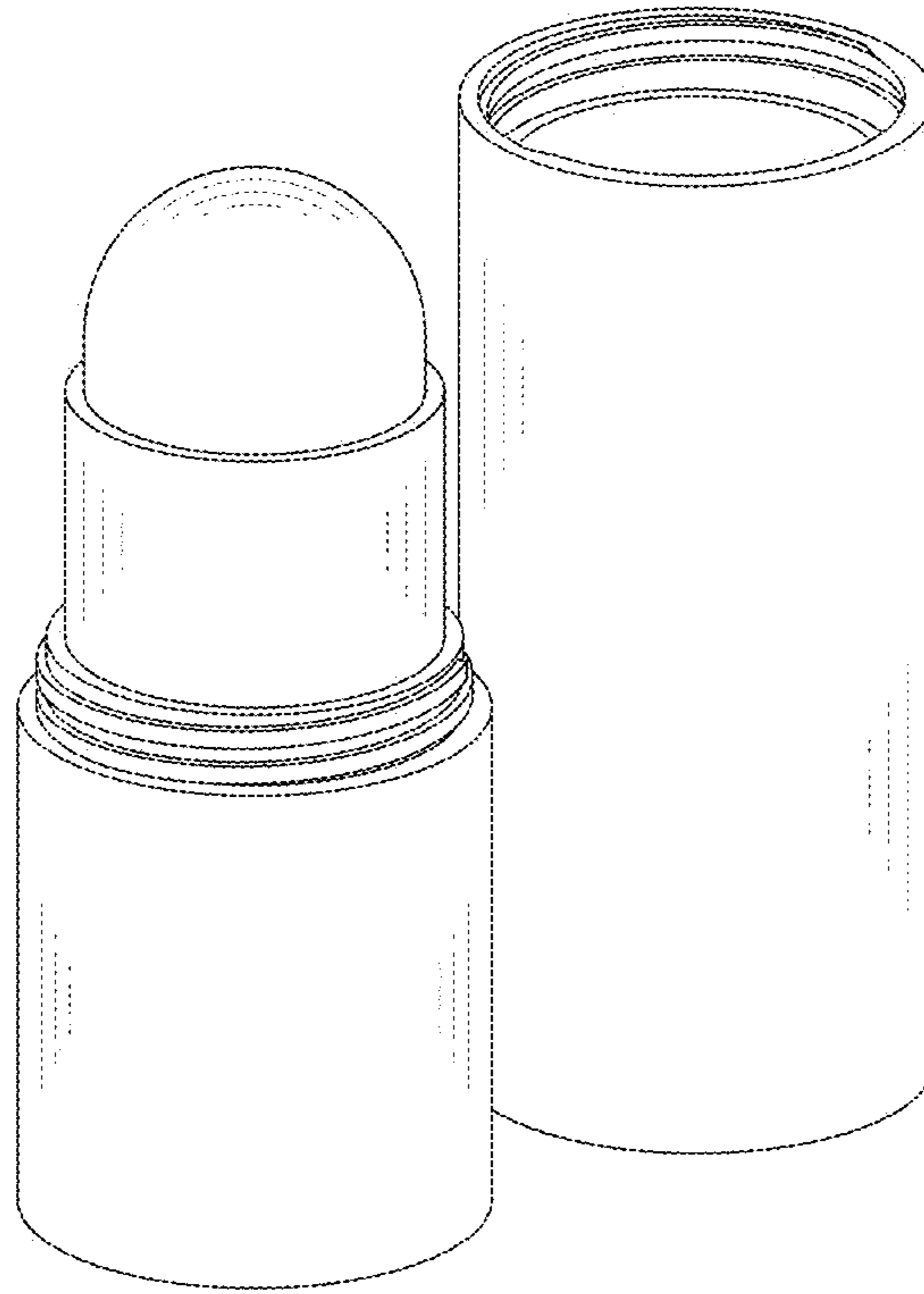


FIG. 3

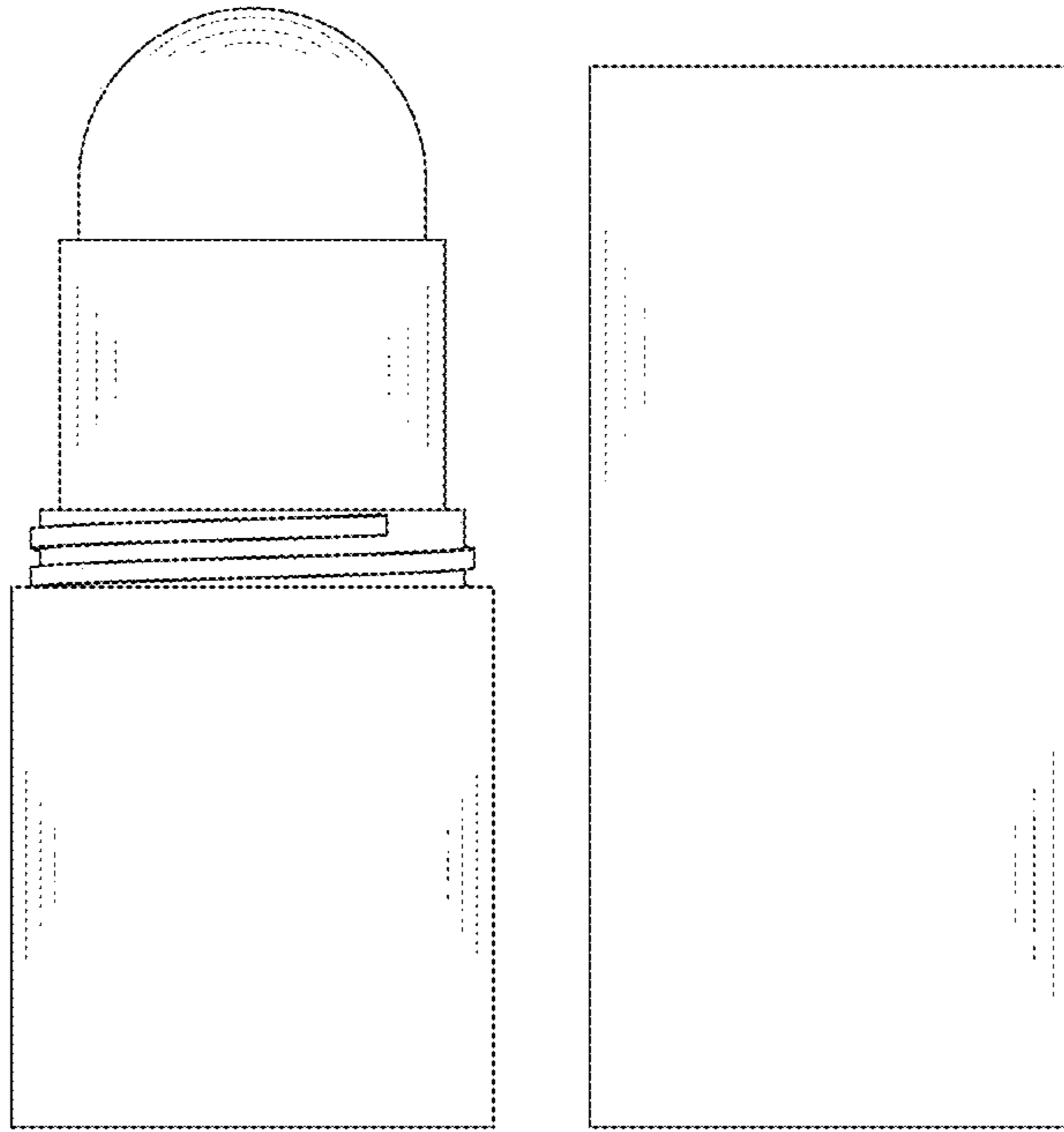


FIG. 4

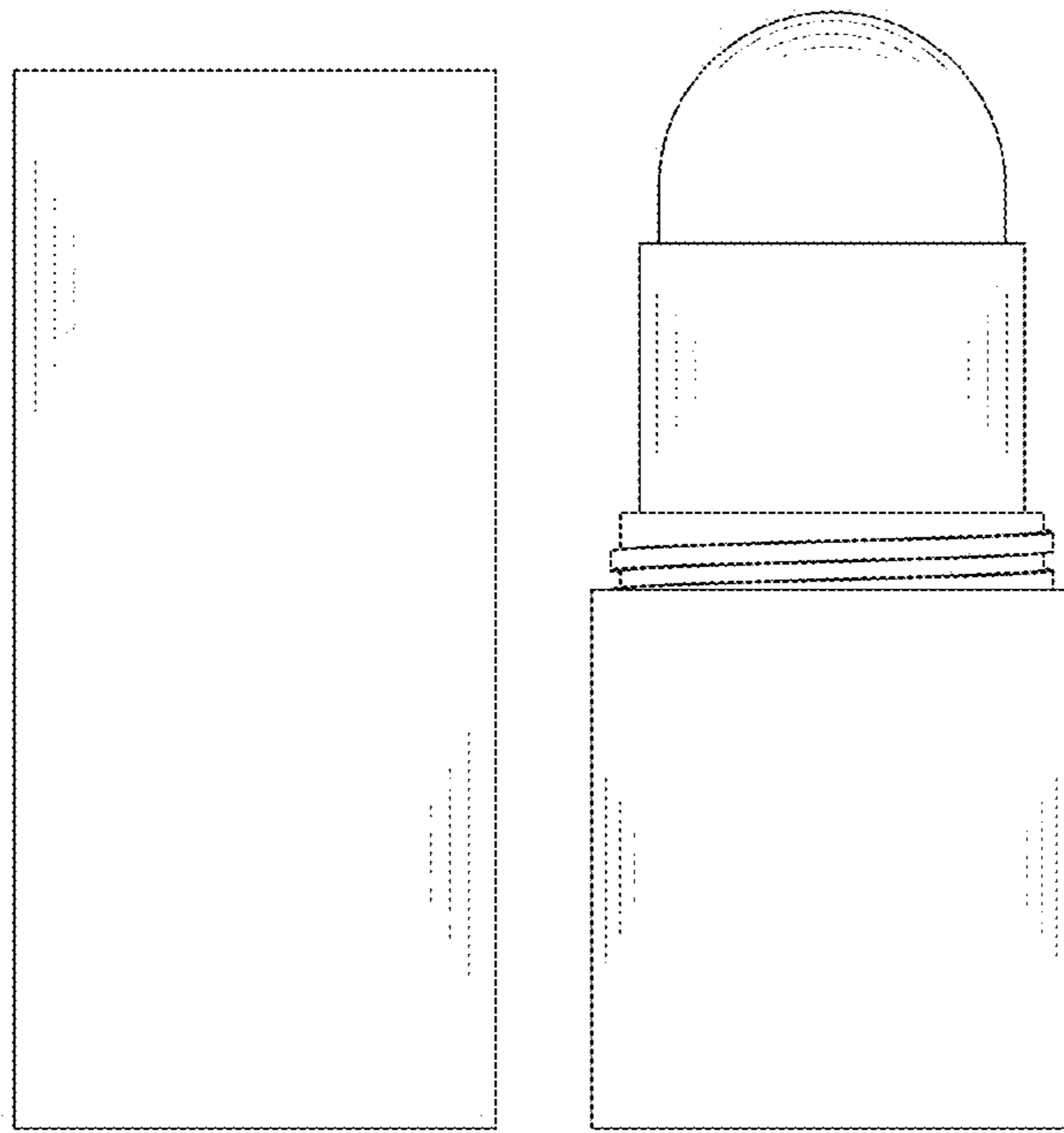


FIG.5

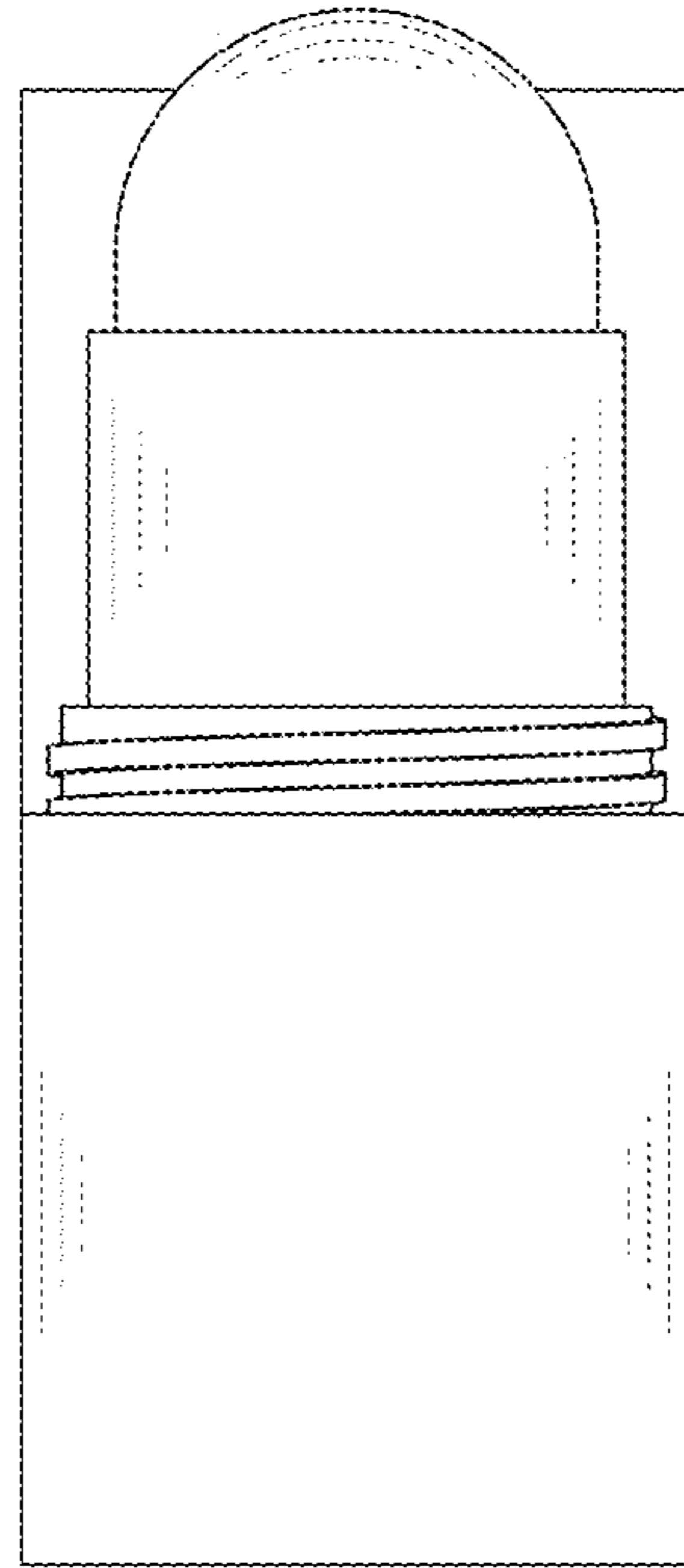


FIG. 6

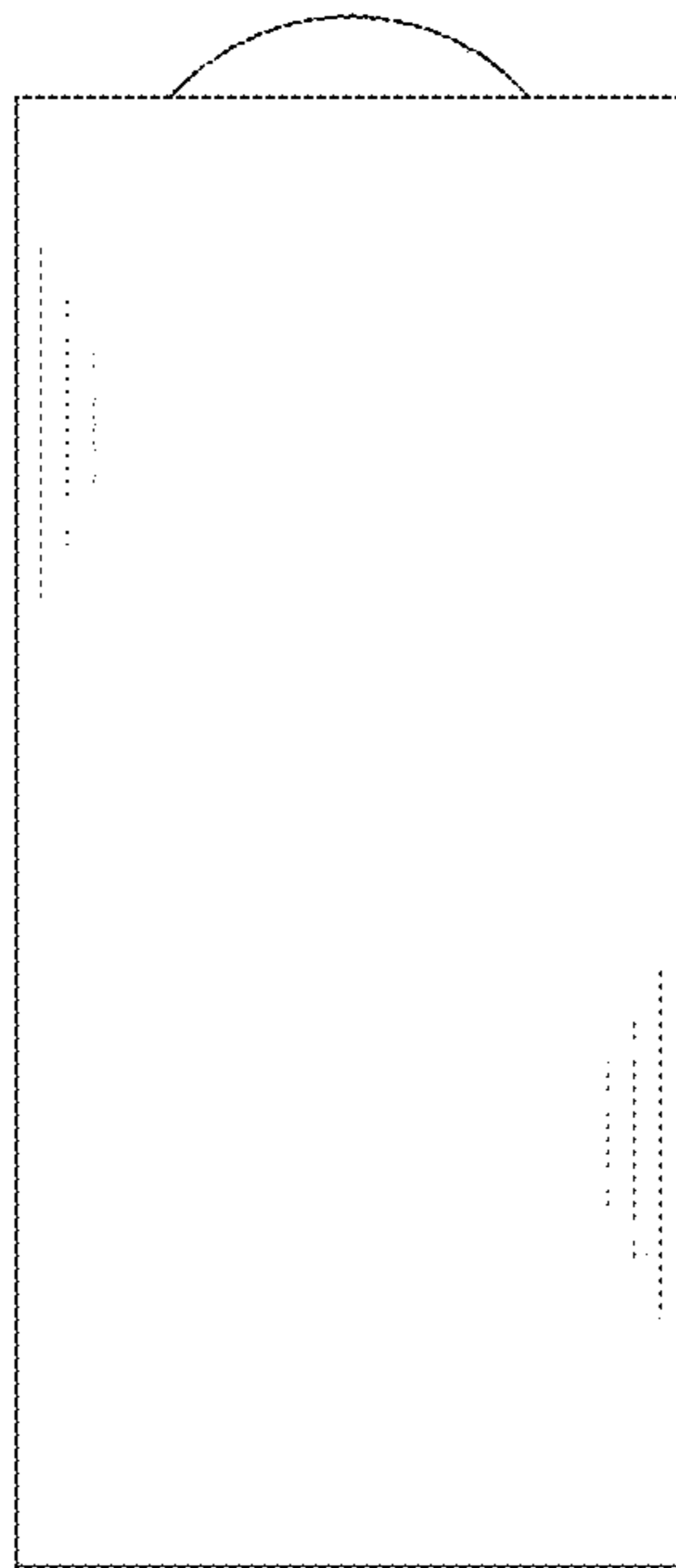


FIG. 7

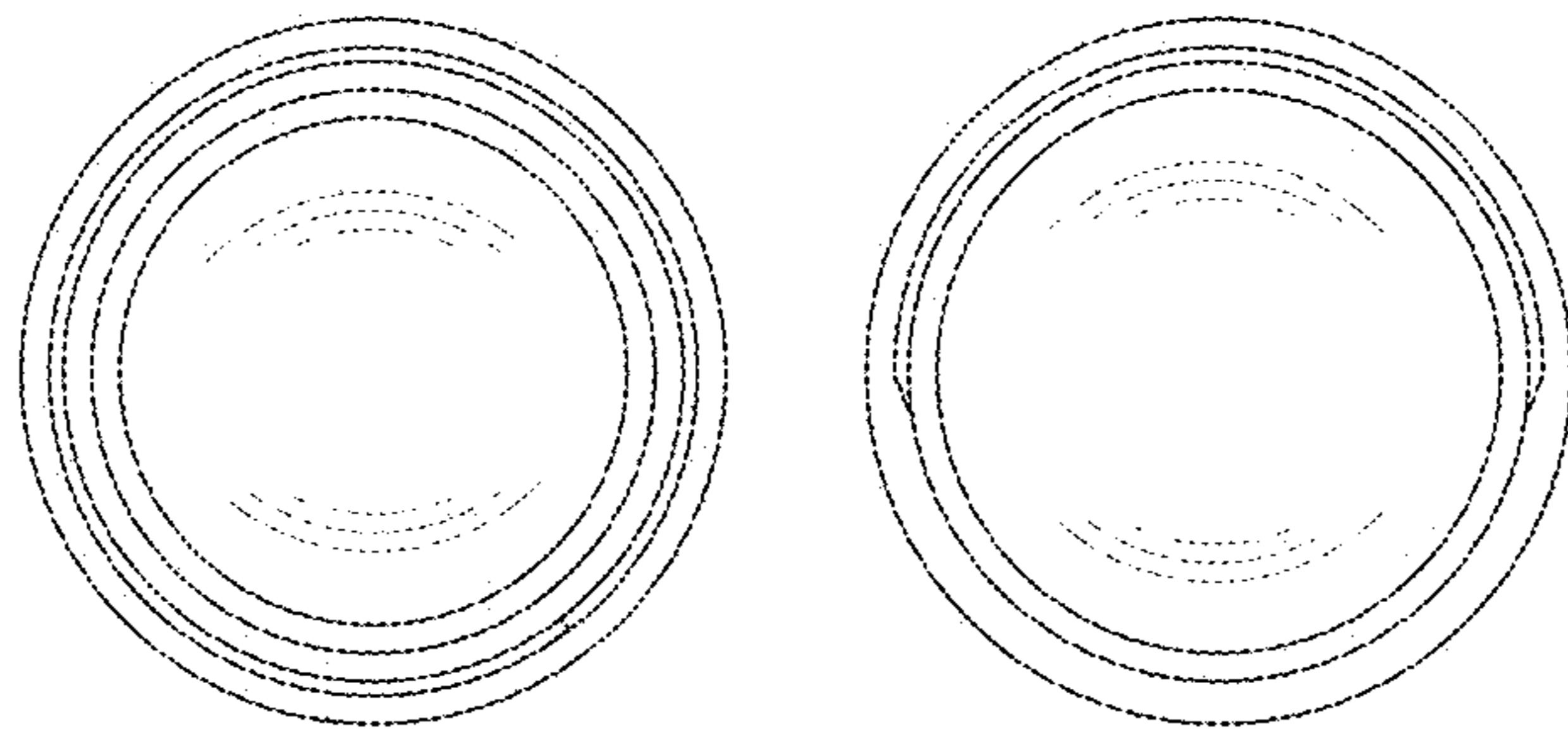


FIG.8

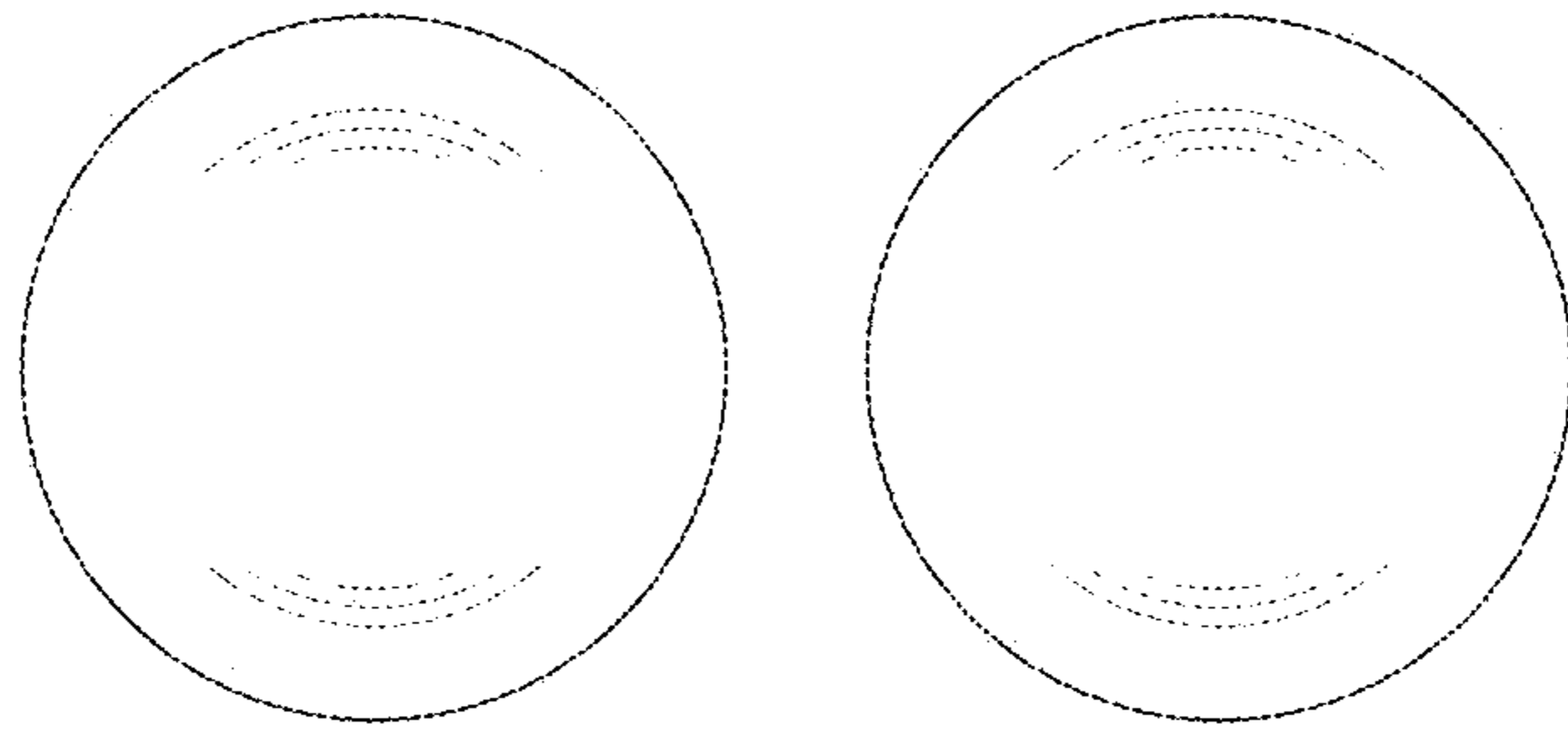


FIG. 9