

US00D969402S

(12) **United States Design Patent** (10) **Patent No.:** **US D969,402 S**  
**Thompson et al.** (45) **Date of Patent:** **\*\* Nov. 8, 2022**

(54) **EYEBROW APPLICATOR** D696,121 S 12/2013 Jung  
D717,496 S 11/2014 Gautier  
(71) Applicant: **Madluvv LLC**, Mesa, AZ (US) D725,490 S 3/2015 Grosso  
D742,071 S 10/2015 Gautier  
(72) Inventors: **Justin Thompson**, Mesa, AZ (US); D758,668 S 6/2016 Bonnin  
**Maddie Thompson**, Mesa, AZ (US) D765,512 S \* 9/2016 Joulia ..... D28/7  
9,839,282 B1 12/2017 Canales  
D855,892 S 8/2019 Lee et al.  
(73) Assignee: **Madluvv LLC**, Gilbert, AZ (US) D906,117 S 12/2020 Shiota  
D917,064 S 4/2021 Ribeiro  
(\*\*) Term: **15 Years** 2001/0027796 A1\* 10/2001 Bouix ..... A45D 40/0087  
132/318  
(21) Appl. No.: **29/799,400** 2010/0077559 A1 4/2010 Mink  
2020/0375340 A1 12/2020 Owens

(22) Filed: **Jul. 14, 2021**

**Related U.S. Application Data**

(63) Continuation-in-part of application No. 17/185,468, filed on Feb. 25, 2021.

(51) **LOC (13) Cl.** ..... **28-03**

(52) **U.S. Cl.**  
USPC ..... **D28/7**

(58) **Field of Classification Search**  
USPC ..... D28/7, 20, 76, 85; D19/36  
CPC . A45D 40/20; A45D 40/24; A45D 2200/1072  
See application file for complete search history.

(56) **References Cited**

**U.S. PATENT DOCUMENTS**

D385,793 S 11/1997 Marsal  
D413,799 S \* 9/1999 Schlatter ..... D9/504  
D429,845 S 8/2000 Lang  
D437,556 S \* 2/2001 Holliday ..... D9/454  
D485,017 S \* 1/2004 Noh ..... D28/76  
D504,542 S \* 4/2005 Noh ..... D28/76  
D506,027 S \* 6/2005 Angeletta ..... D28/7  
D543,658 S \* 5/2007 Angeletta ..... D28/7  
D596,034 S 7/2009 Rauschert  
D632,017 S 2/2011 Lee  
D692,184 S 10/2013 DeMarco et al.

**FOREIGN PATENT DOCUMENTS**

JP 2008173334 A 7/2008  
JP 2015044783 A 3/2015

\* cited by examiner

*Primary Examiner* — Zenia I Bennett

(74) *Attorney, Agent, or Firm* — Bay State IP, LLC

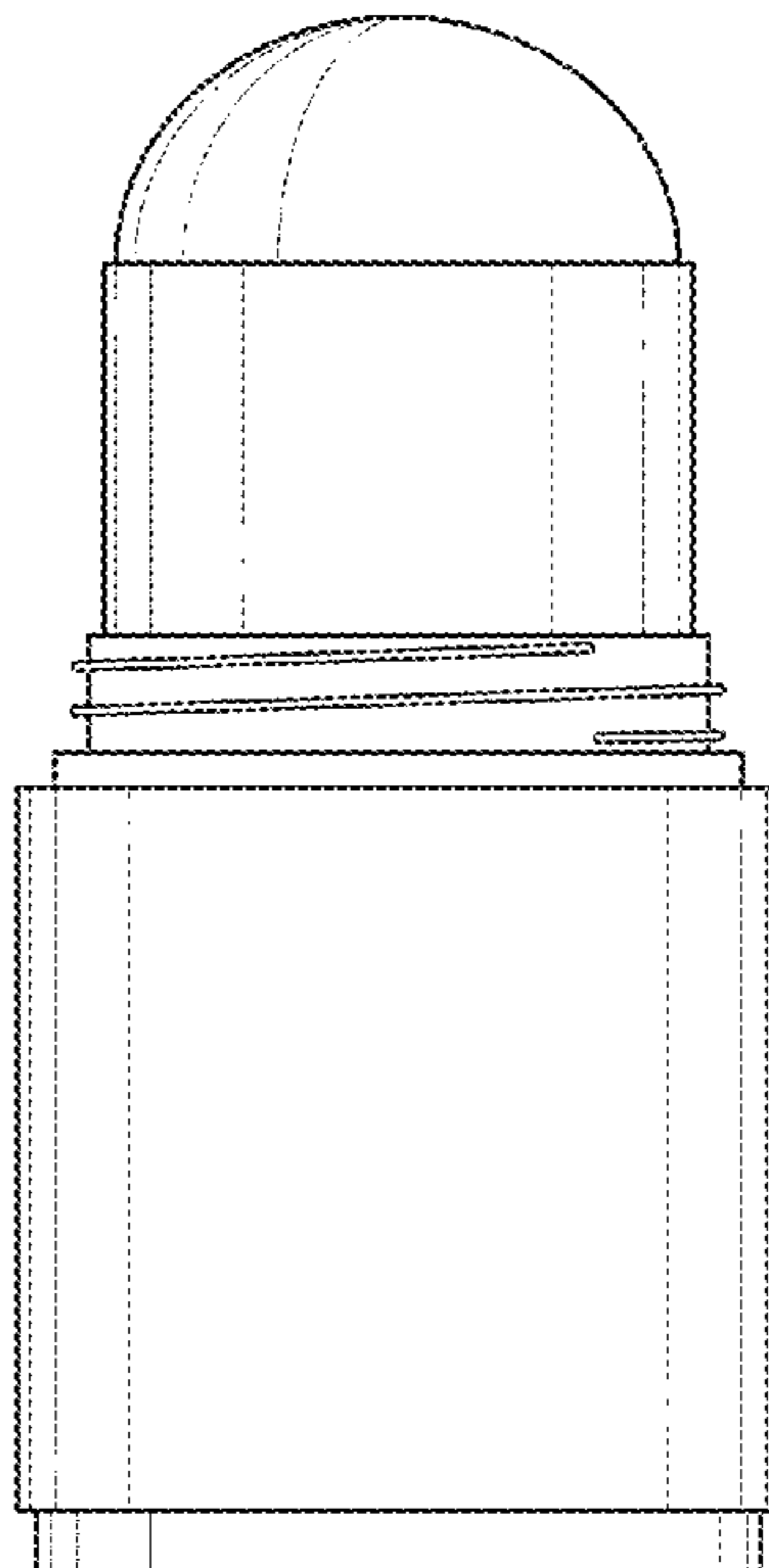
(57) **CLAIM**

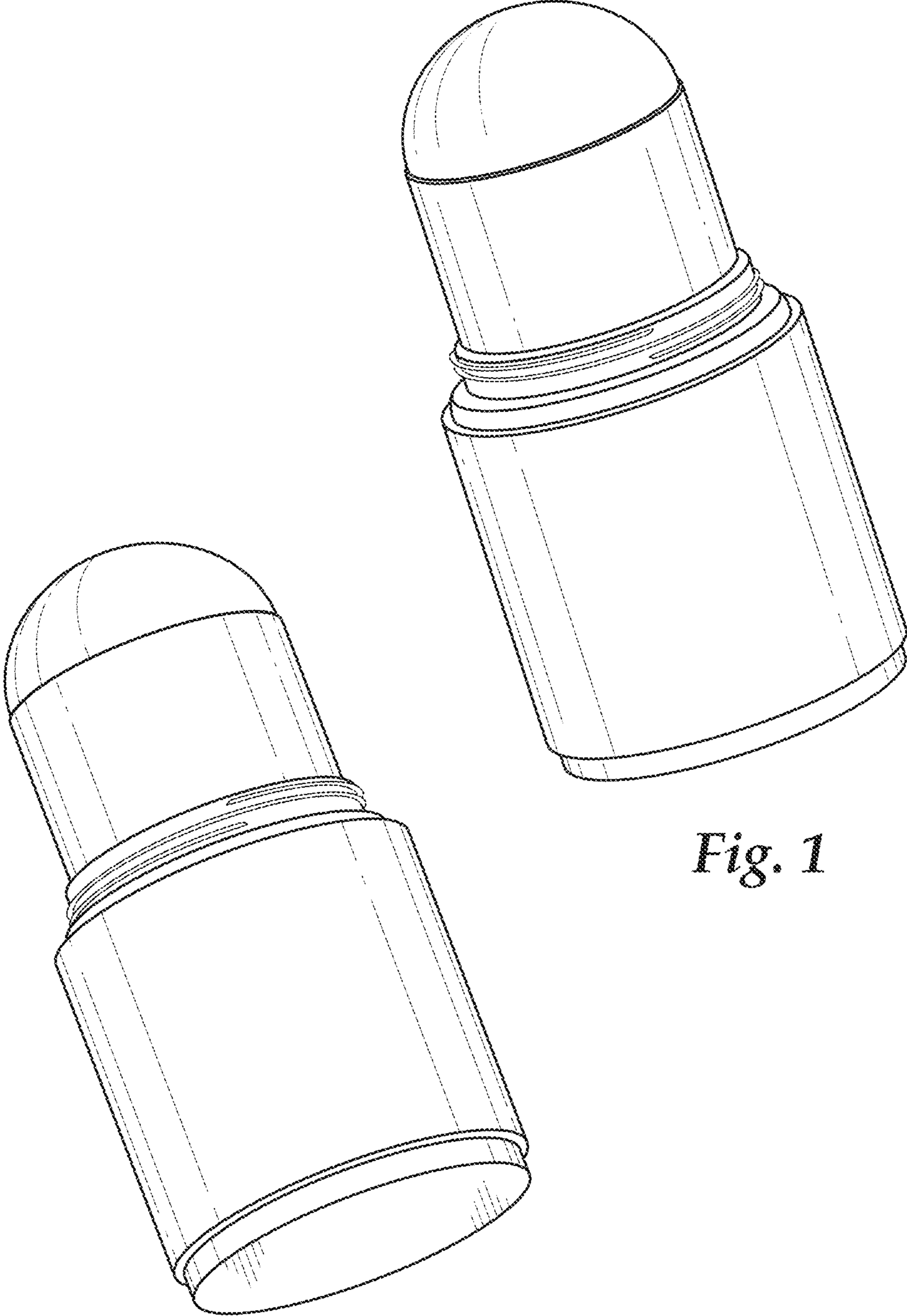
The ornamental design for an eyebrow applicator, as shown and described.

**DESCRIPTION**

FIG. 1 is a front top perspective view of the eyebrow applicator showing our new design;  
FIG. 2 is a front bottom perspective view.  
FIG. 3 is a front view thereof;  
FIG. 4 is a back view thereof;  
FIG. 5 is a left side view thereof;  
FIG. 6 is a right side view thereof;  
FIG. 7 is a top view thereof; and,  
FIG. 8 is a bottom view thereof.

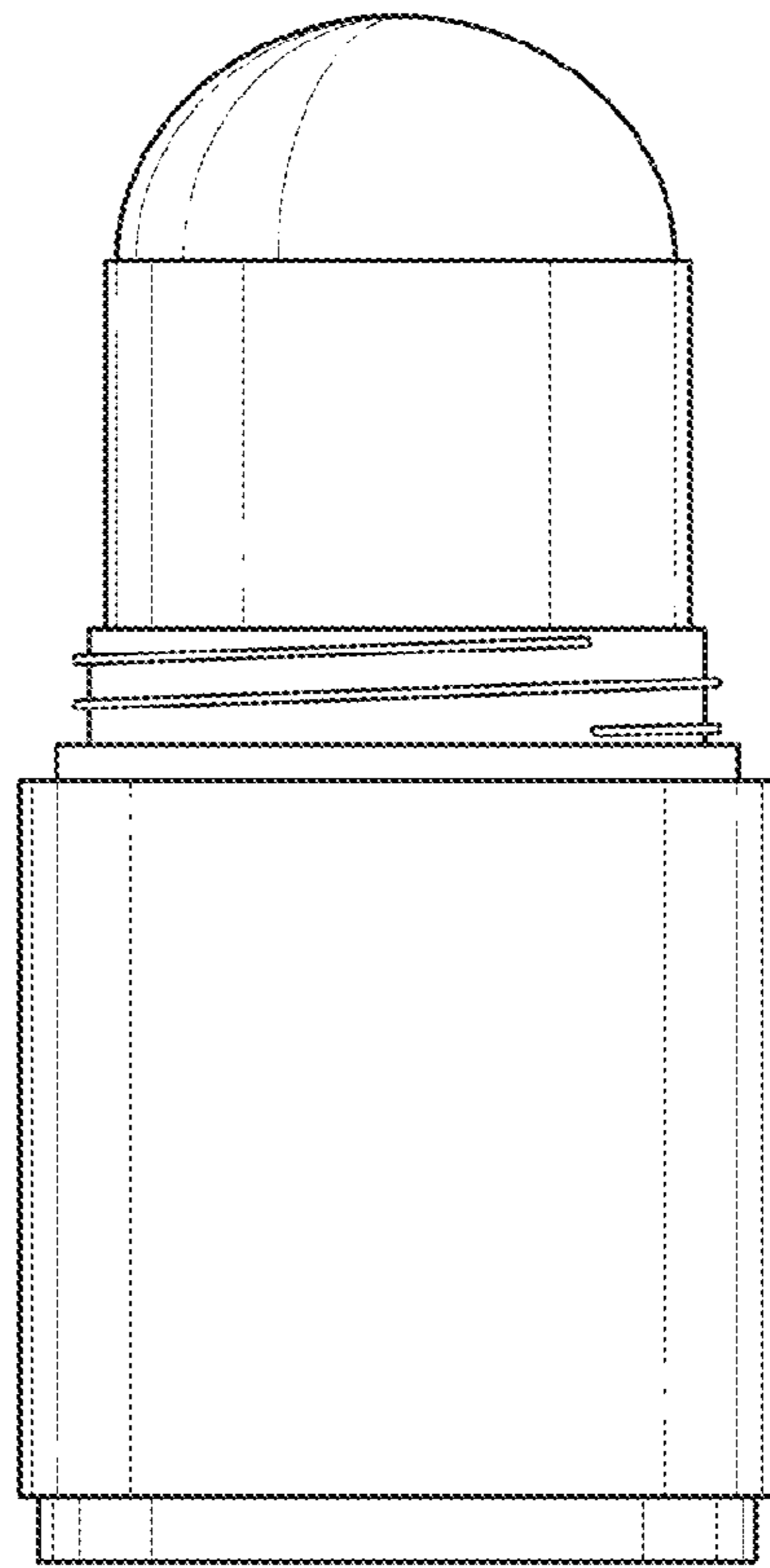
**1 Claim, 4 Drawing Sheets**



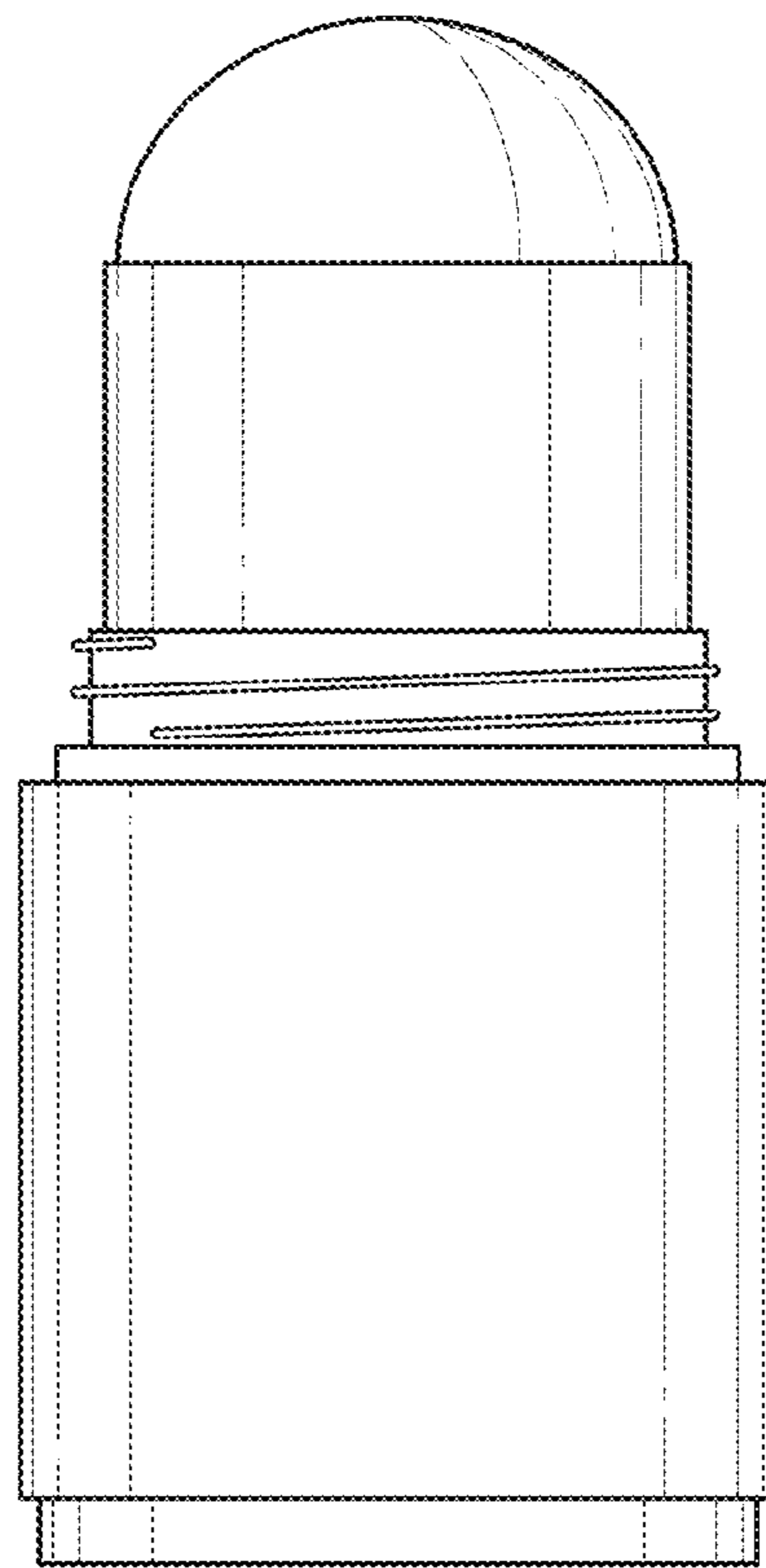


*Fig. 1*

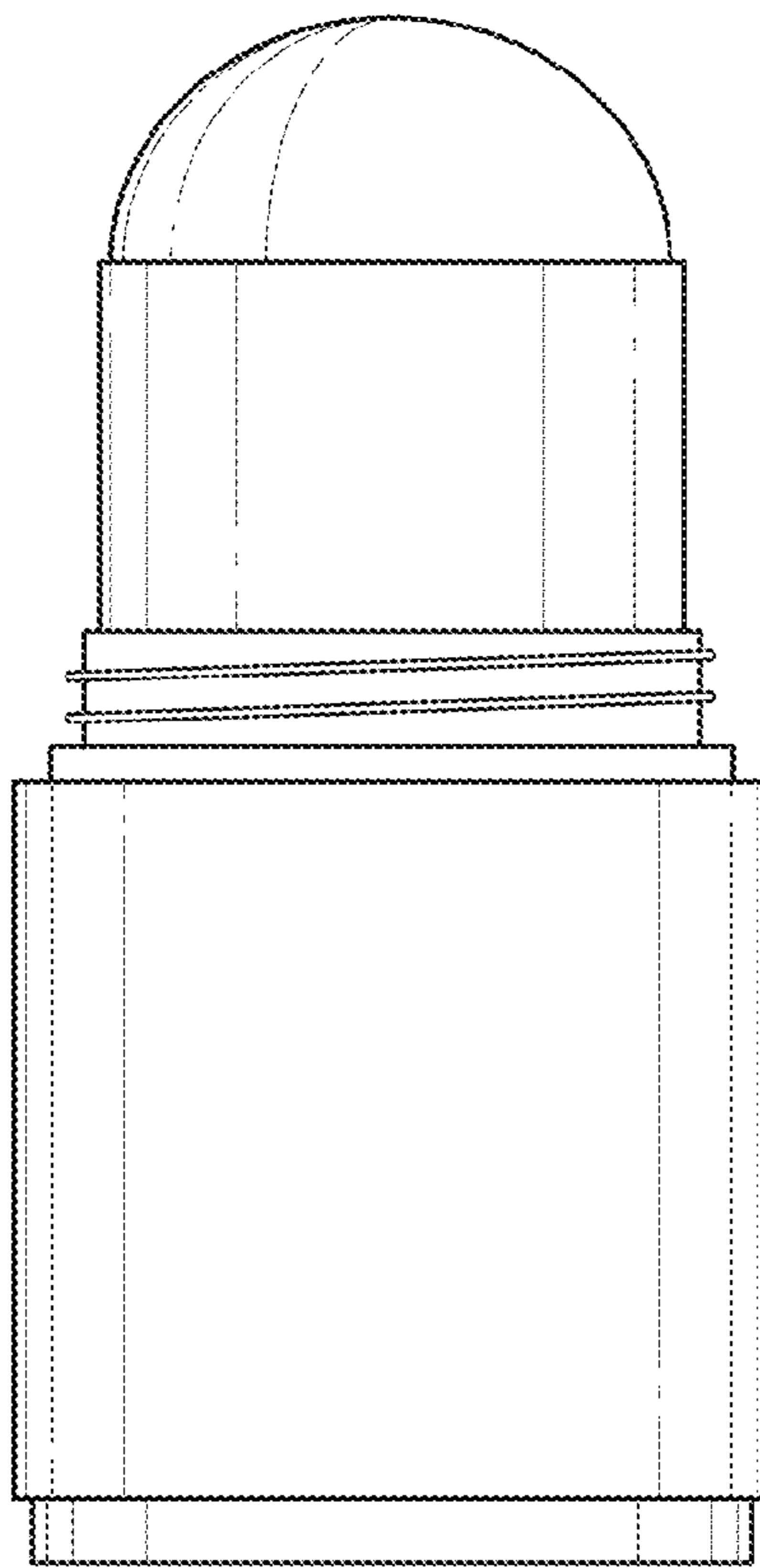
*Fig. 2*



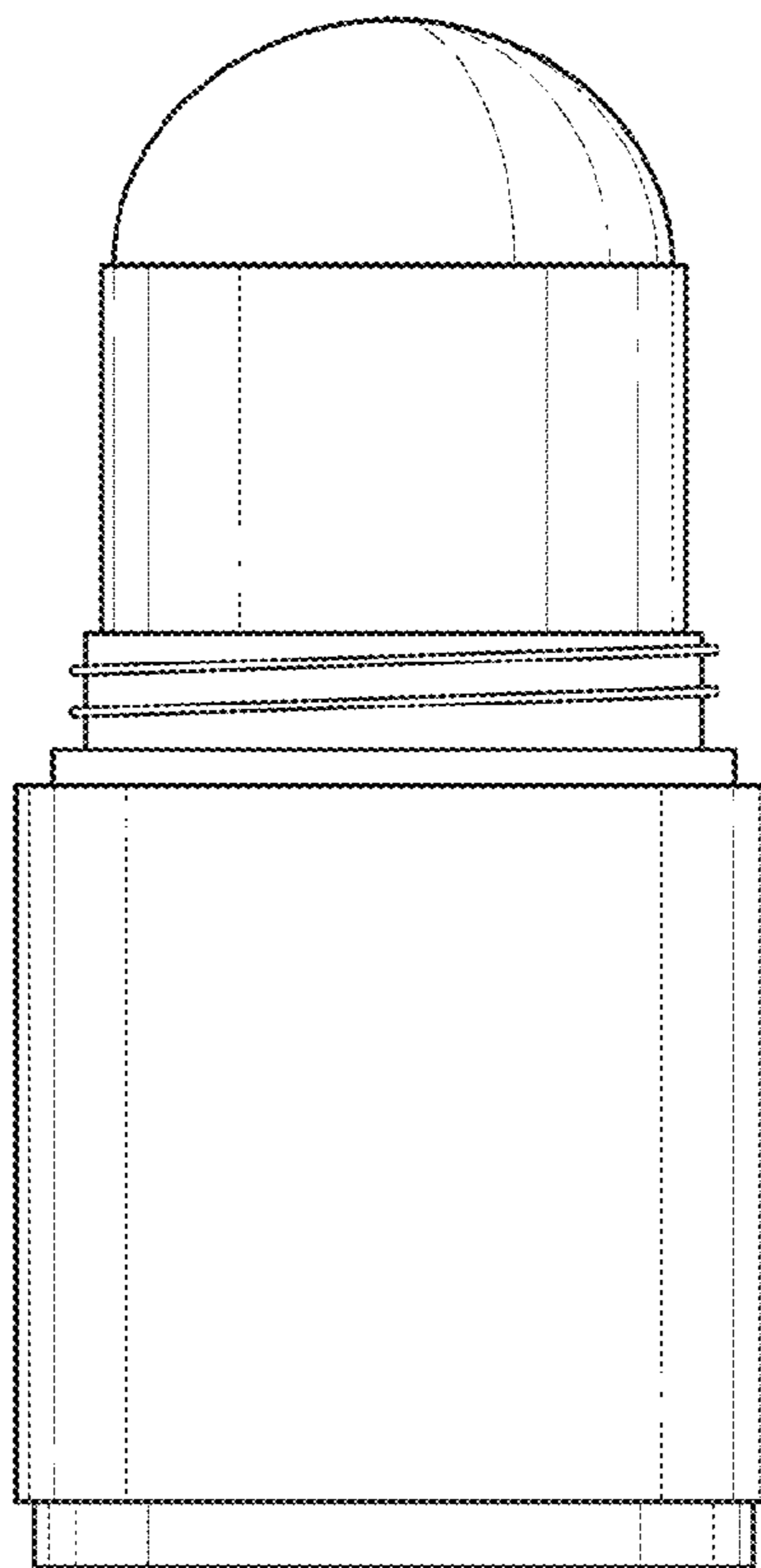
*Fig. 3*



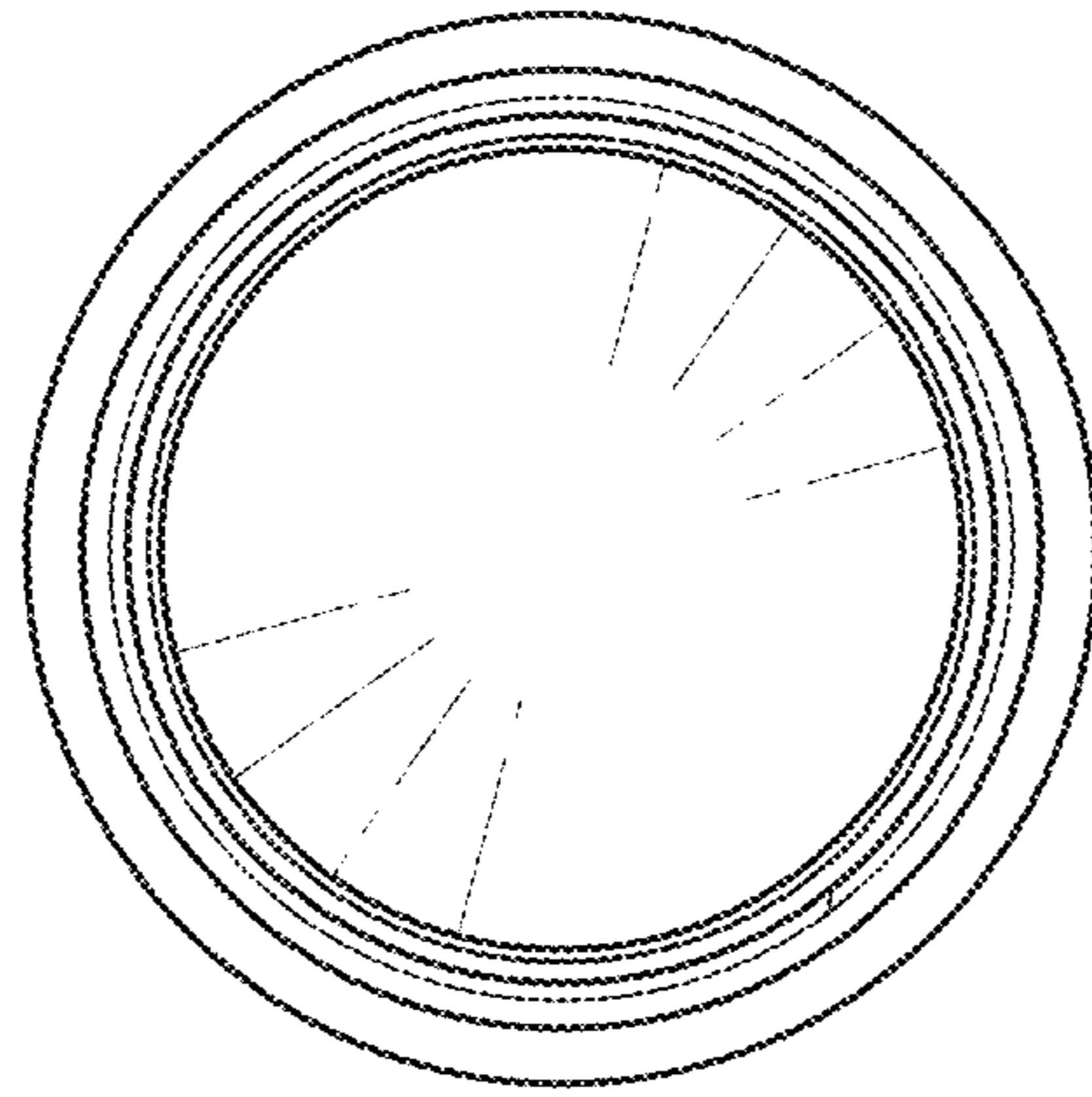
*Fig. 4*



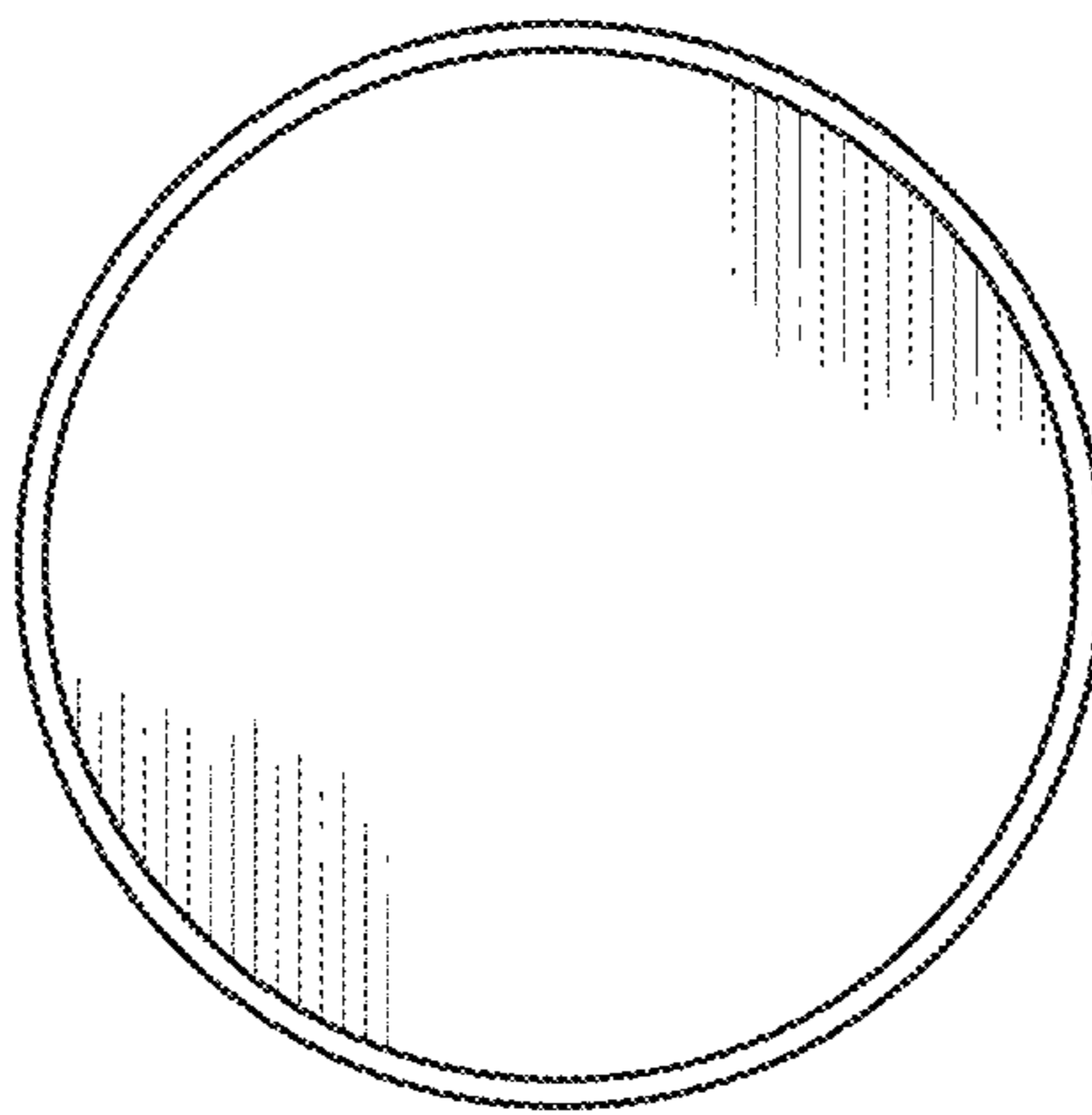
*Fig. 5*



*Fig. 6*



*Fig. 7*



*Fig. 8*