

US00D969398S

(12) **United States Design Patent** (10) **Patent No.:** **US D969,398 S**
Liu (45) **Date of Patent:** **** Nov. 8, 2022**

(54) **HEATING DEVICE FOR AN ELECTRONIC CIGARETTE**

(56) **References Cited**

U.S. PATENT DOCUMENTS

(71) Applicant: **Shenzhen Eigate Technology Co., Ltd.**, Shenzhen (CN)

D777,976 S * 1/2017 Mahlmeister D27/165
D805,028 S * 12/2017 Liu D27/101
D870,251 S * 12/2019 Vostal D23/314
D877,409 S * 3/2020 Jiang D27/162
D936,567 S * 11/2021 Wang D13/103

(72) Inventor: **Tuanfang Liu**, Shenzhen (CN)

* cited by examiner

(73) Assignee: **SHENZHEN EIGATE TECHNOLOGY CO., LTD.**, Shenzhen (CN)

Primary Examiner — Rebecca Tsehaye
(74) *Attorney, Agent, or Firm* — Matthias Scholl P.C.; Matthias Scholl

(**) Term: **15 Years**

(57) **CLAIM**

(21) Appl. No.: **29/765,275**

The ornamental design for a heating device for an electronic cigarette, as shown and described.

(22) Filed: **Jan. 7, 2021**

DESCRIPTION

(30) **Foreign Application Priority Data**

Jul. 7, 2020 (CN) 202030359758.0

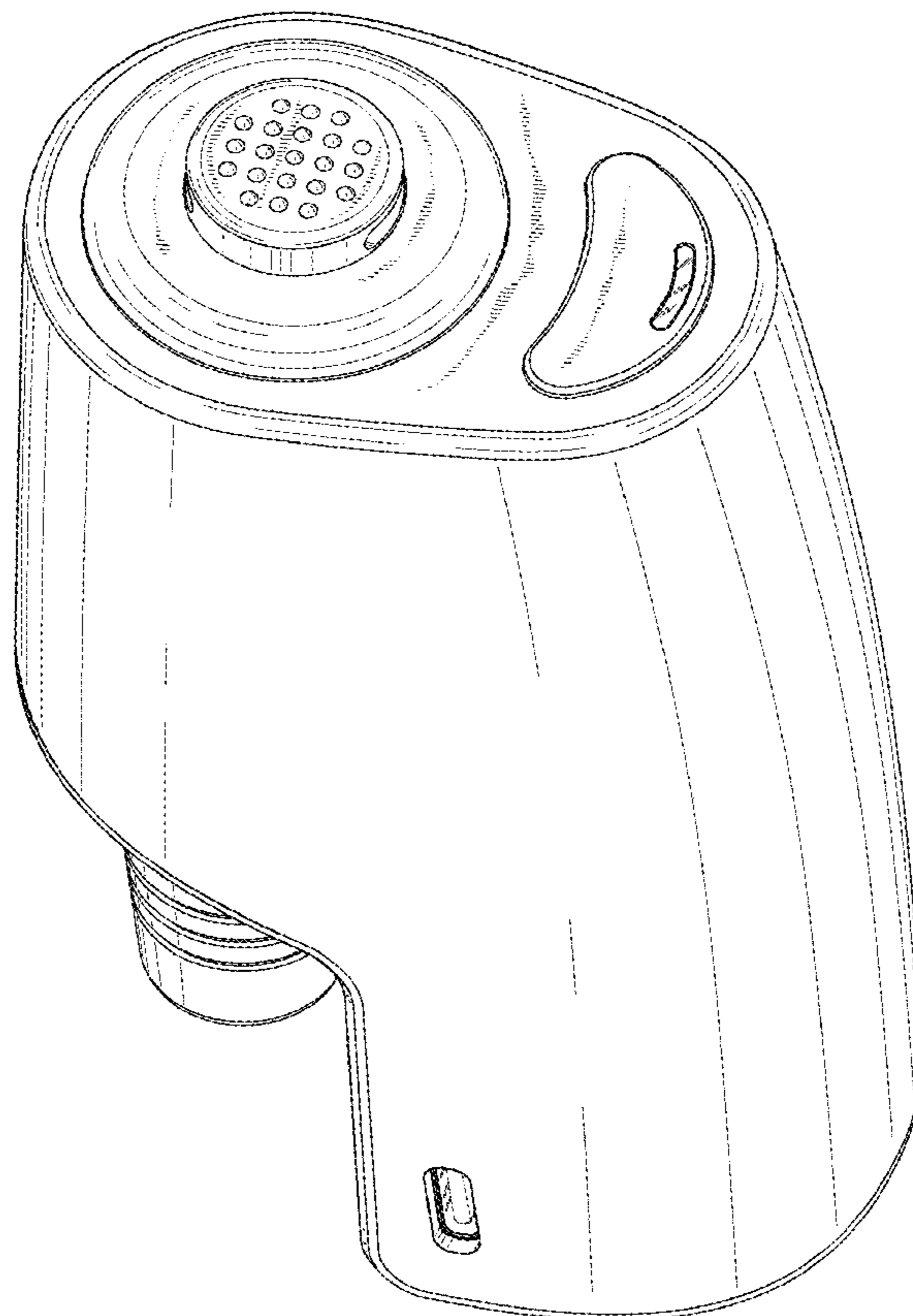
(51) **LOC (13) Cl.** **27-02**

(52) **U.S. Cl.**
USPC **D27/162**

(58) **Field of Classification Search**
USPC D27/162, 100, 101, 163–165, 167, 172, D27/183, 185–194; D23/314, 316, 322, D23/328, 499; D13/102–107, 118, 119
CPC A24F 40/00; A24C 5/00
See application file for complete search history.

FIG. 1 is a front elevation view of a heating device for an electronic cigarette;
FIG. 2 is a rear elevation view thereof;
FIG. 3 is a left-side elevation view thereof;
FIG. 4 is a right-side elevation view thereof;
FIG. 5 is a top plan view thereof;
FIG. 6 is a bottom plan view thereof;
FIG. 7 is a perspective view thereof; and,
FIG. 8 is a bottom perspective view thereof.
The broken lines depict portions of the heating device for an electronic cigarette that form no part of the claimed design.

1 Claim, 8 Drawing Sheets



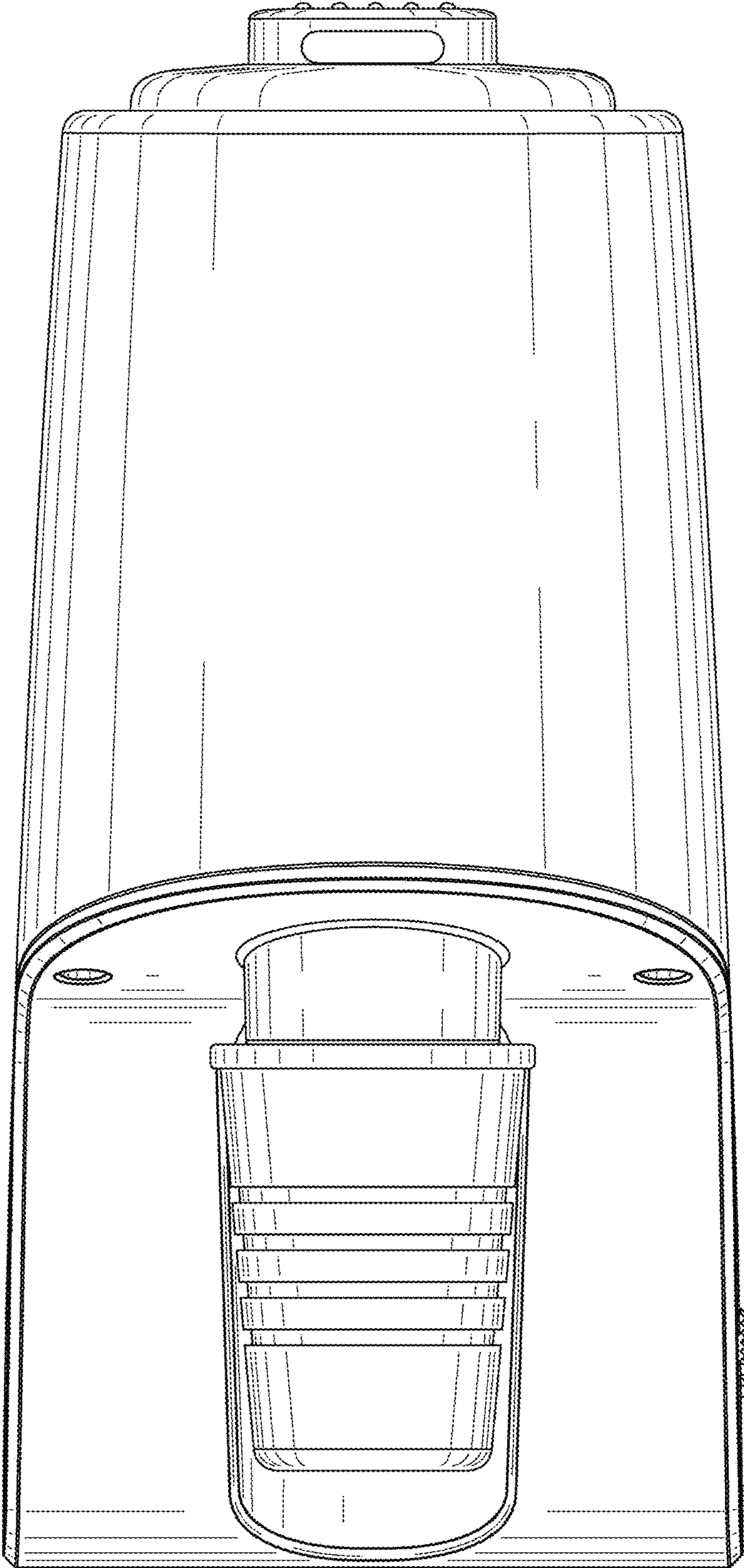


FIG. 1

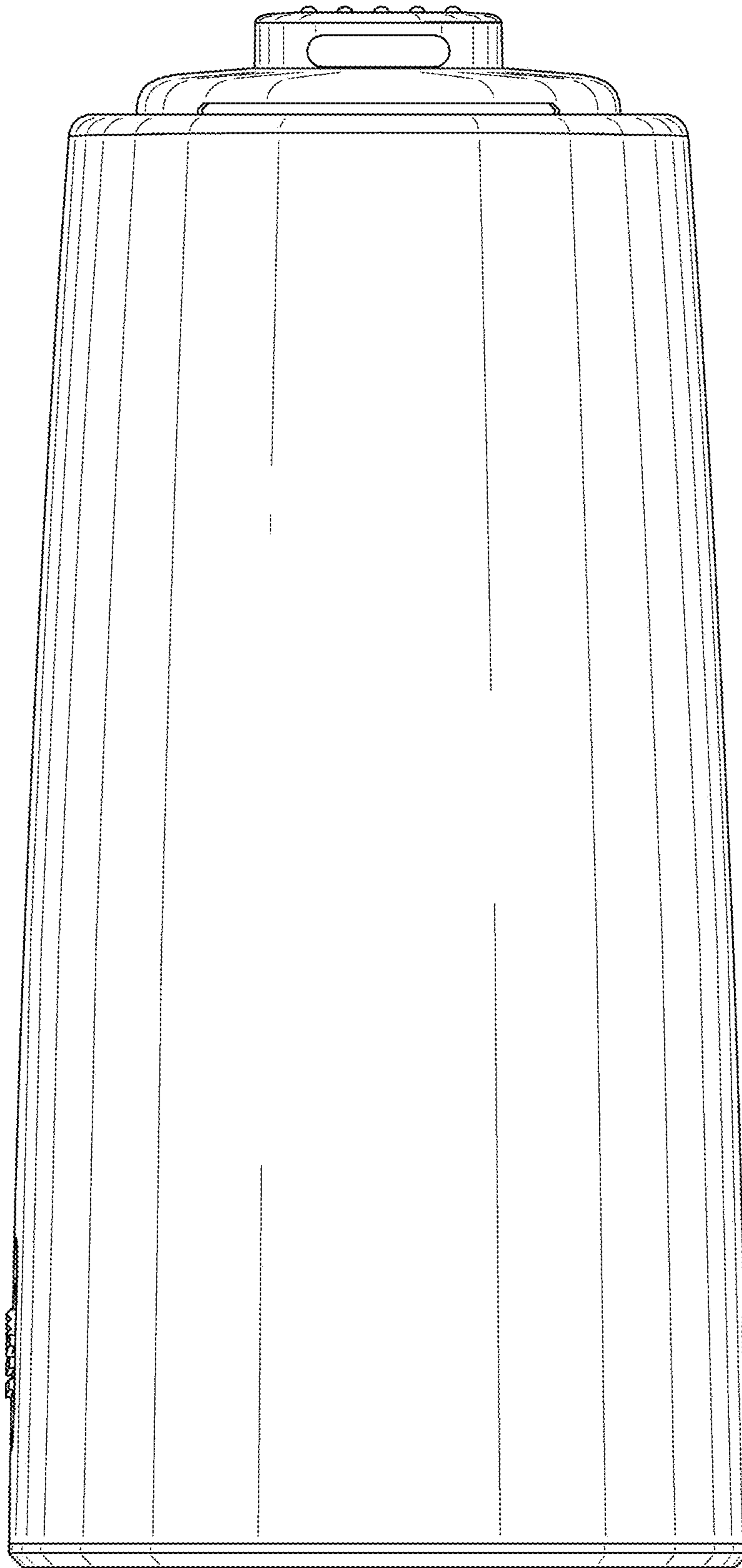


FIG. 2

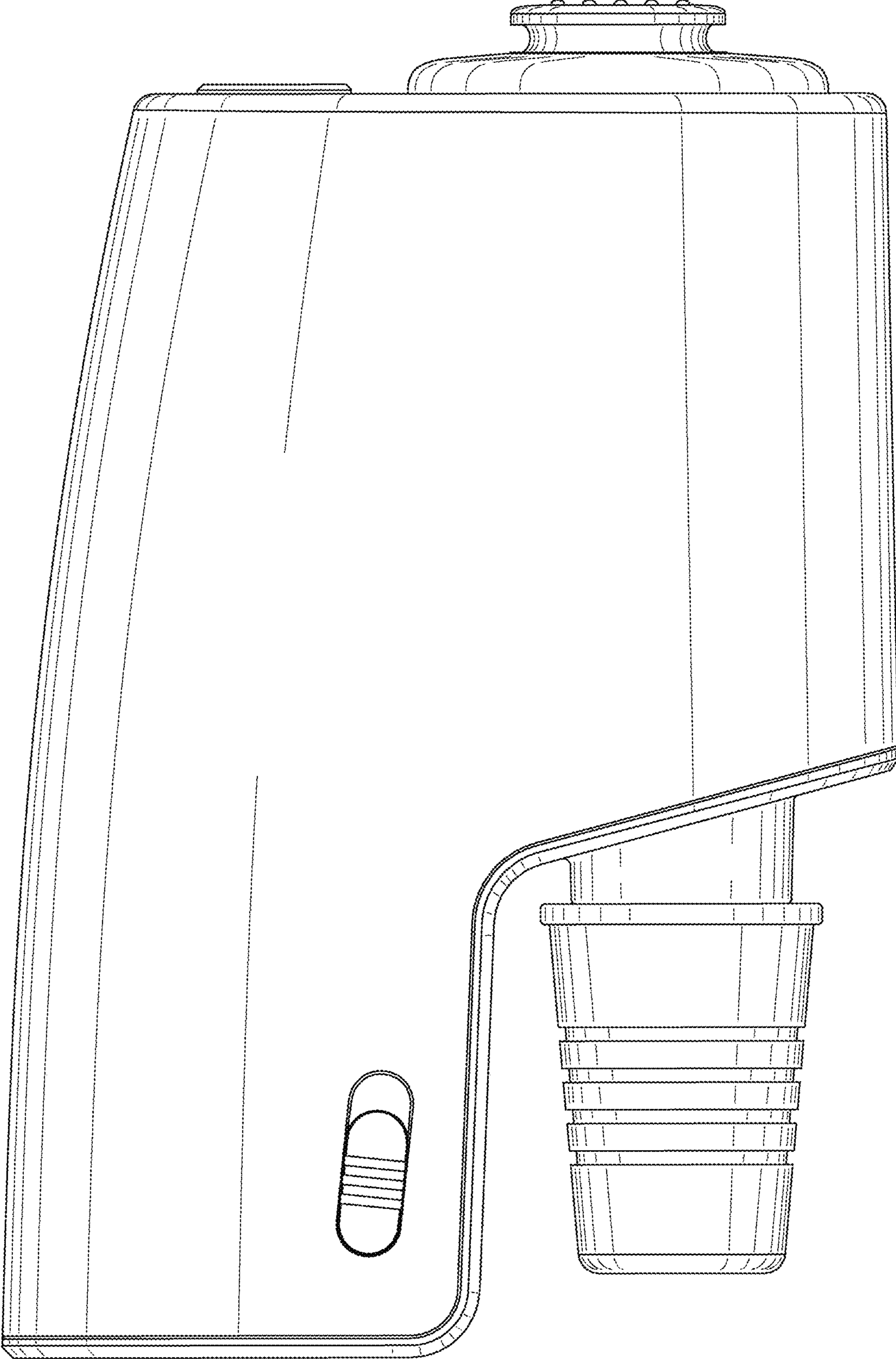


FIG. 3

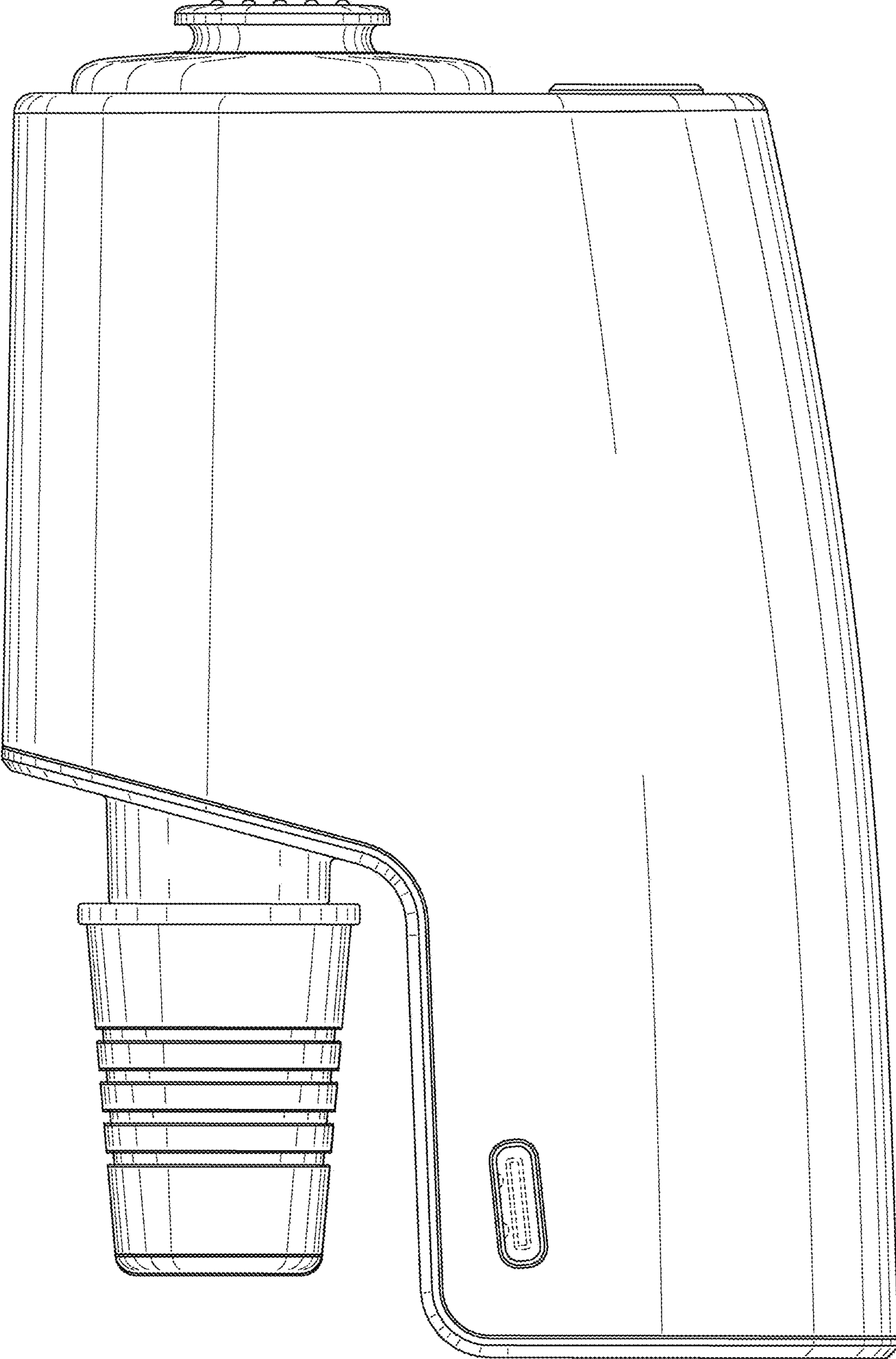


FIG. 4

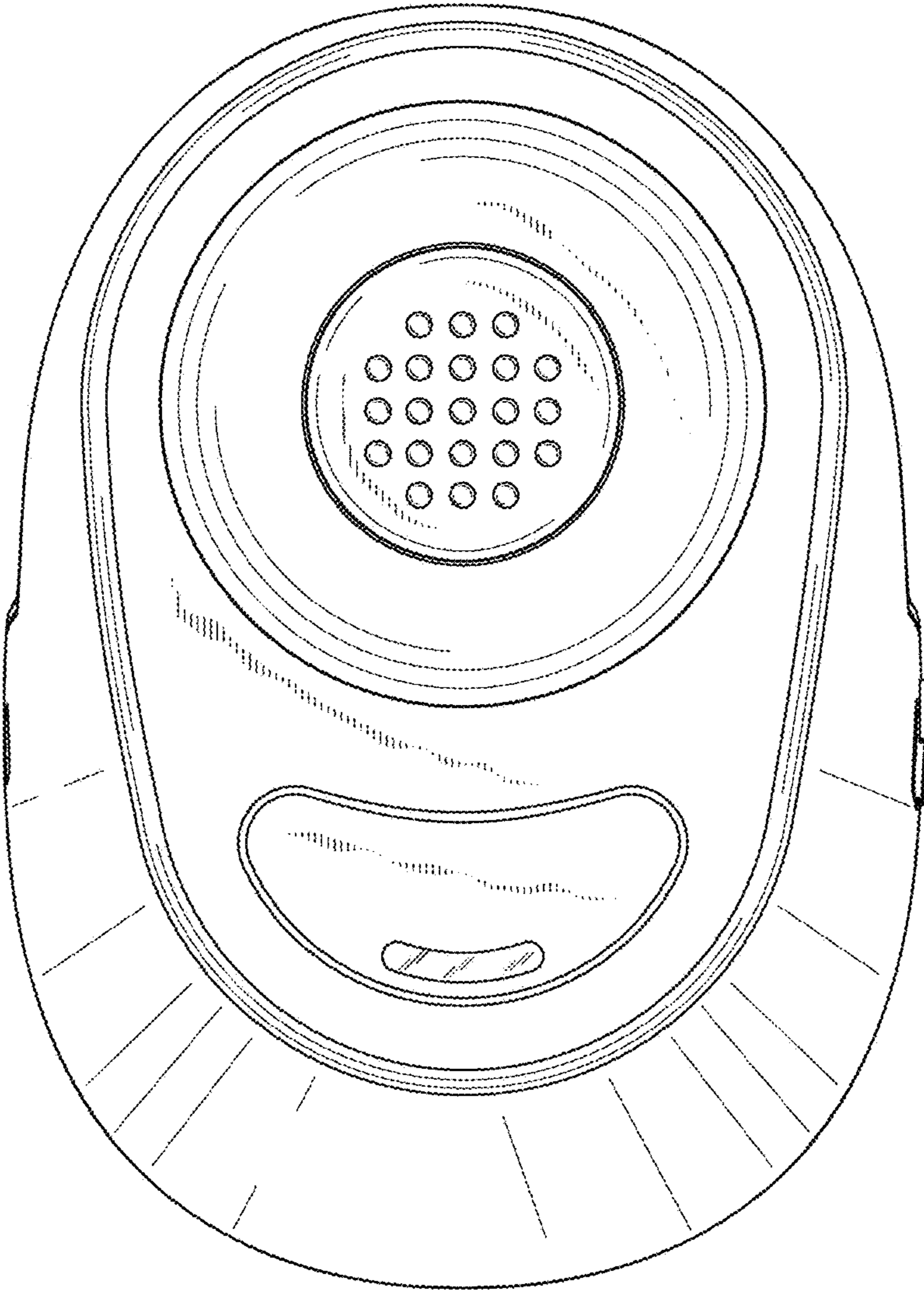


FIG. 5

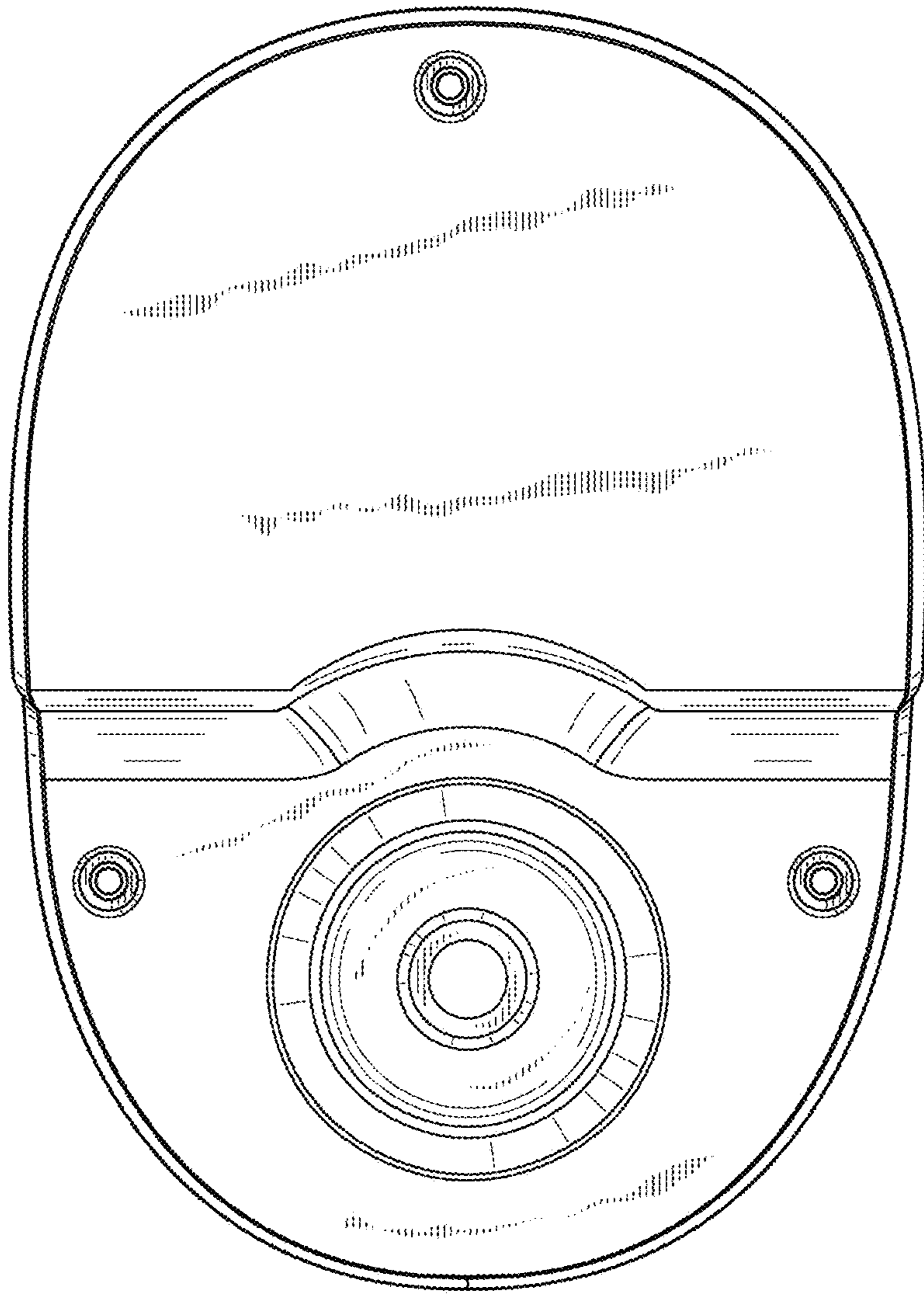


FIG. 6

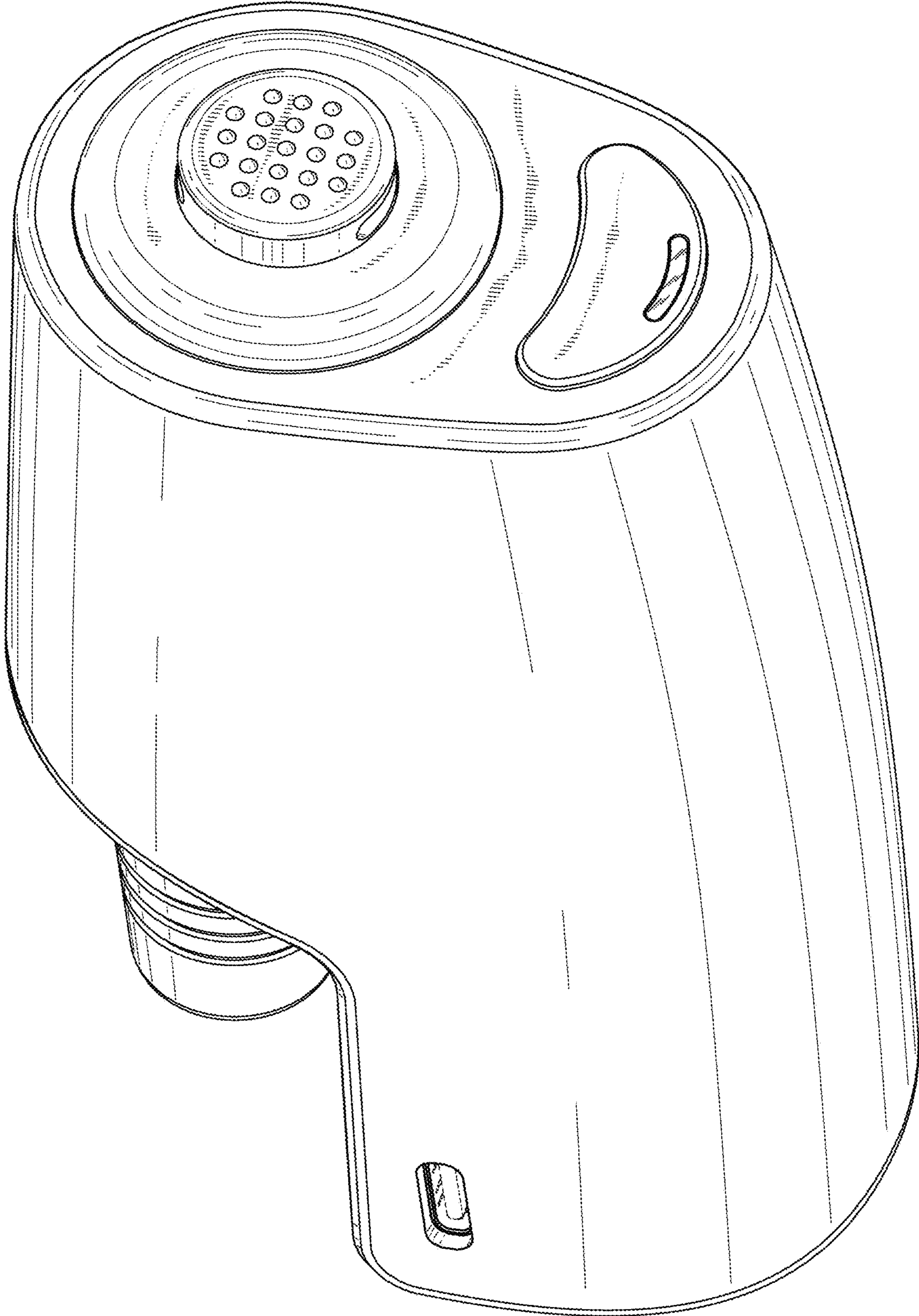


FIG. 7

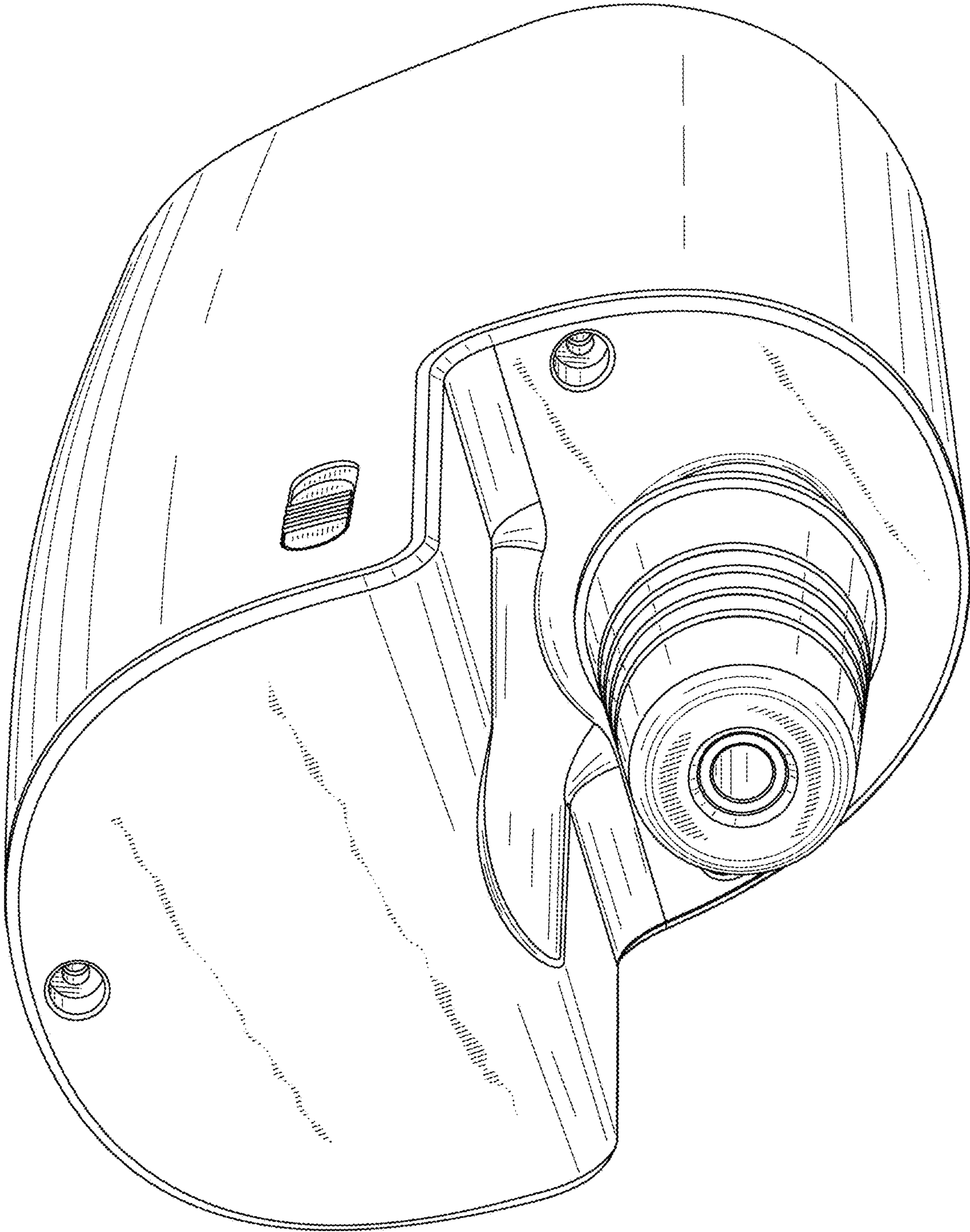


FIG. 8