



US00D969397S

(12) **United States Design Patent** (10) **Patent No.:** **US D969,397 S**
Saleh (45) **Date of Patent:** **** Nov. 8, 2022**

(54) **ASHTRAY**
(71) Applicant: **ESMAT IMPORTS INC.**, Stockton, CA (US)
(72) Inventor: **Haroon Saleh**, Mountain House, CA (US)
(73) Assignee: **ESMAT IMPORTS INC.**, Stockton, CA (US)
(**) Term: **15 Years**
(21) Appl. No.: **29/777,678**
(22) Filed: **Apr. 8, 2021**
(51) **LOC (13) Cl.** **27-03**
(52) **U.S. Cl.**
USPC **D27/102**
(58) **Field of Classification Search**
USPC D27/102, 105, 106, 108, 118, 133–136, D27/138, 172, 183; D7/583, 584, 587
CPC A24F 19/00; A24F 19/0035; A24F 19/10; A24F 19/0014; A24F 15/08; A24F 15/00; A24F 15/02
See application file for complete search history.

D819,884 S * 6/2018 Shotwell D27/135
D843,051 S * 3/2019 Hennen D27/105
D846,184 S * 4/2019 Shotwell D27/118
D846,185 S * 4/2019 Shotwell D27/118
D859,733 S * 9/2019 Sharp D27/118
D866,060 S * 11/2019 Hennen D27/106
D876,005 S * 2/2020 Shotwell D27/118

(Continued)

FOREIGN PATENT DOCUMENTS

CN 109123789 A 1/2019

OTHER PUBLICATIONS

Glass Ashtray By: Fargus found on Amazon (Jul. 14, 2022) https://www.amazon.com/Ashtrays-Cigarettes-Portable-Decorative-Ashtray/dp/B08FCF4WNH/ref=sr_1_1?keywords=glass%2Bashtray&qid=1657834473&sr=8-1&th=1 (Sep. 2, 2020).*

Primary Examiner — Rebecca Tsehaye
(74) *Attorney, Agent, or Firm* — Adibi IP Group, PC; Amir V. Adibi; Andrew Palmer

(57) **CLAIM**

The ornamental design for an ashtray, as shown and described.

(56) **References Cited**

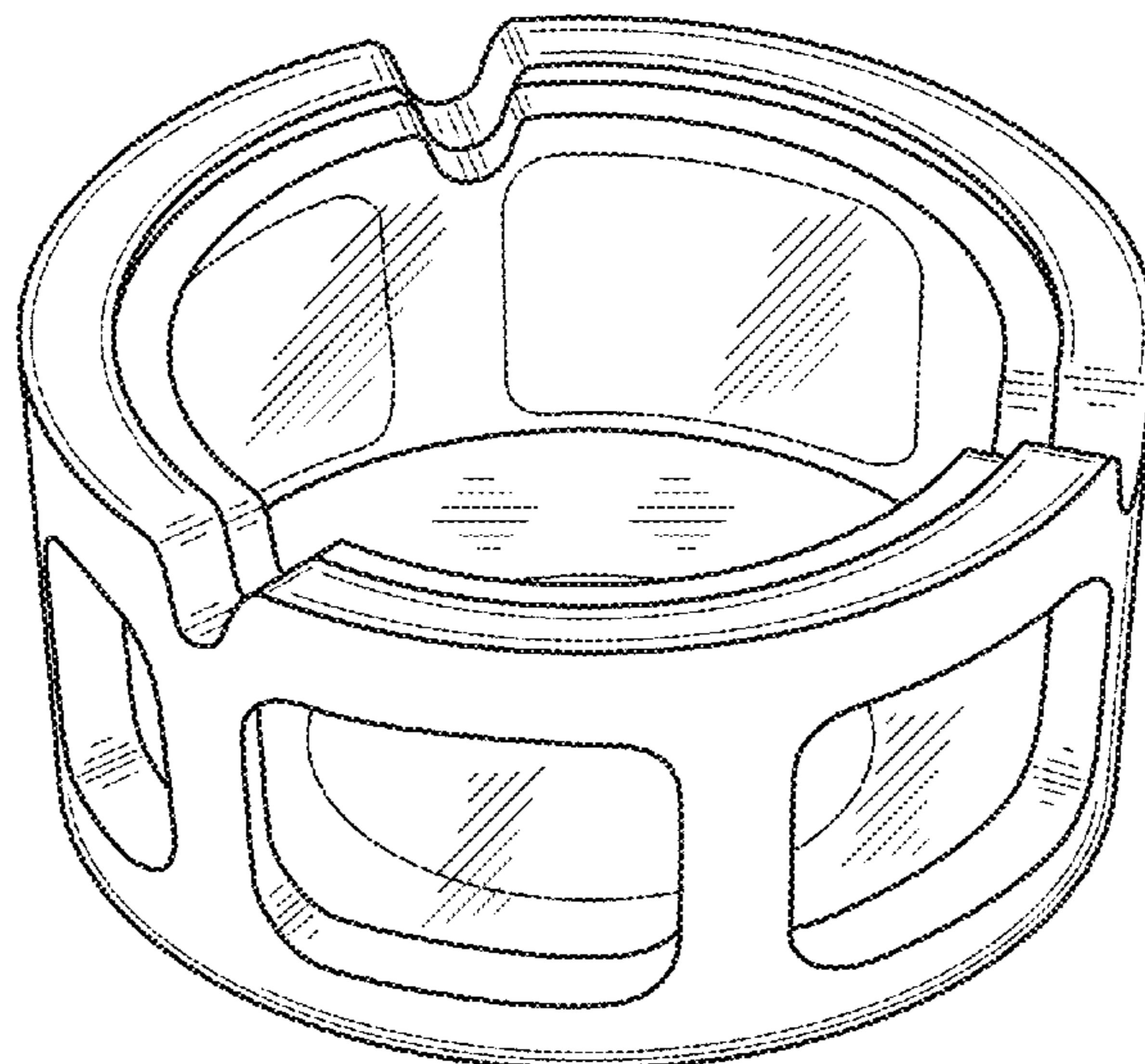
U.S. PATENT DOCUMENTS

1,507,370 A 9/1924 Freeble A24F 19/00
220/DIG. 13
2,410,487 A 11/1946 Eweson A24F 19/0014
131/240.1
D350,481 S * 9/1994 DeLury D9/436
D362,921 S * 10/1995 Krystek D27/125
D402,399 S * 12/1998 Fowler D27/102
D432,712 S * 10/2000 Perrier D27/102
D453,052 S * 1/2002 Hsu D27/135
D453,236 S * 1/2002 Hsu D27/134
D455,225 S * 4/2002 Whitlock D27/134
D462,803 S * 9/2002 Meoli D27/135
D780,992 S * 3/2017 Lozier D27/125
D819,883 S * 6/2018 Shotwell D27/118

DESCRIPTION

FIG. 1 is a front perspective view of an ashtray showing my new design.
FIG. 2 is a back side view showing my new design.
FIG. 3 is a front side view thereof.
FIG. 4 is a right side view thereof.
FIG. 5 is a left side view thereof.
FIG. 6 is a top view thereof.
FIG. 7 is a bottom view thereof; and,
FIG. 8 is a front perspective view of the ashtray.
The broken lines in FIG. 8 illustrate environmental subject matter only and form no part of the claimed design.

1 Claim, 5 Drawing Sheets



(56)

References Cited

U.S. PATENT DOCUMENTS

2010/0065072 A1* 3/2010 Ying Ching A24F 19/0028
131/231
2018/0140006 A1* 5/2018 Shotwell A47G 19/22

* cited by examiner

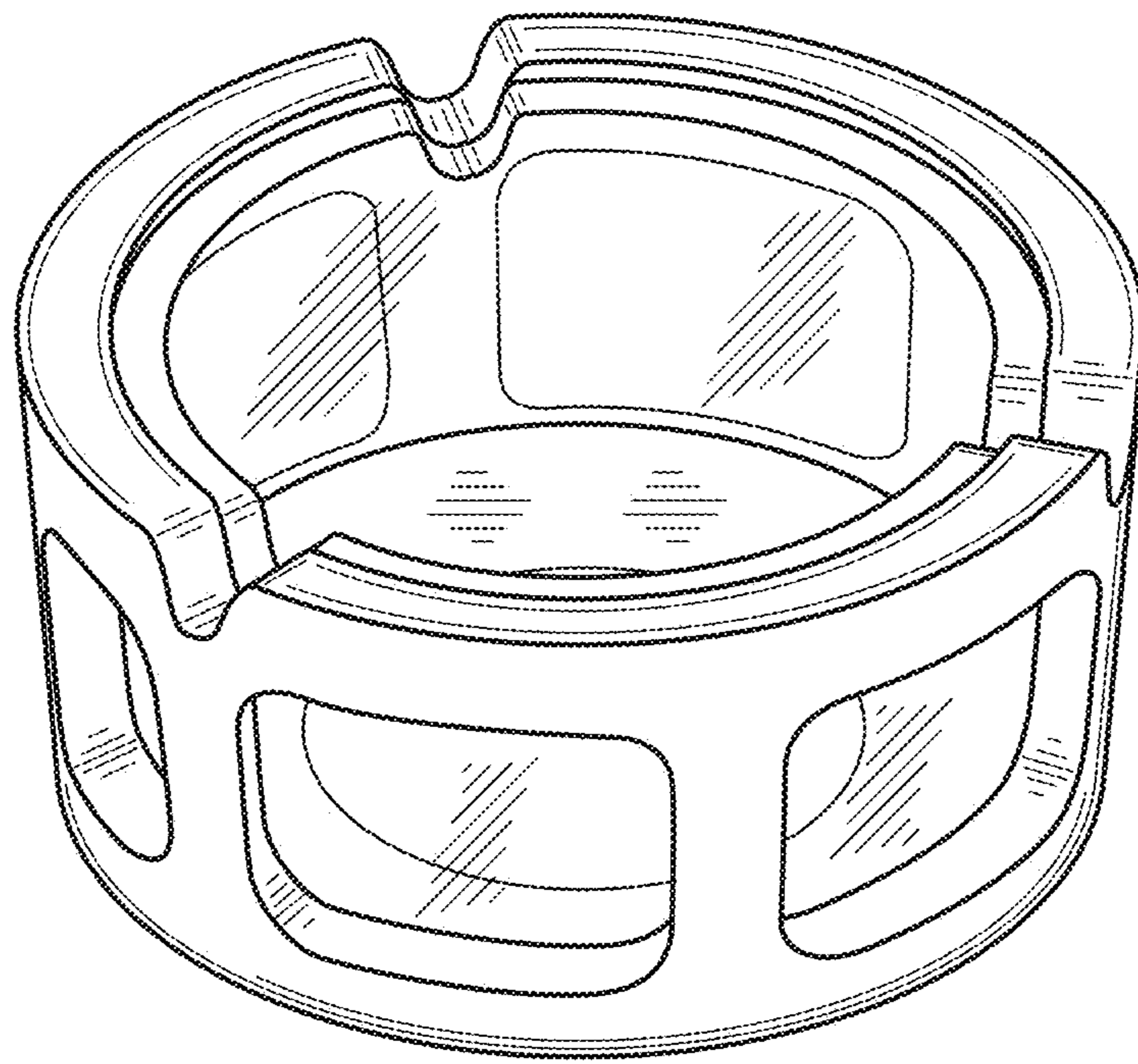


FIG. 1

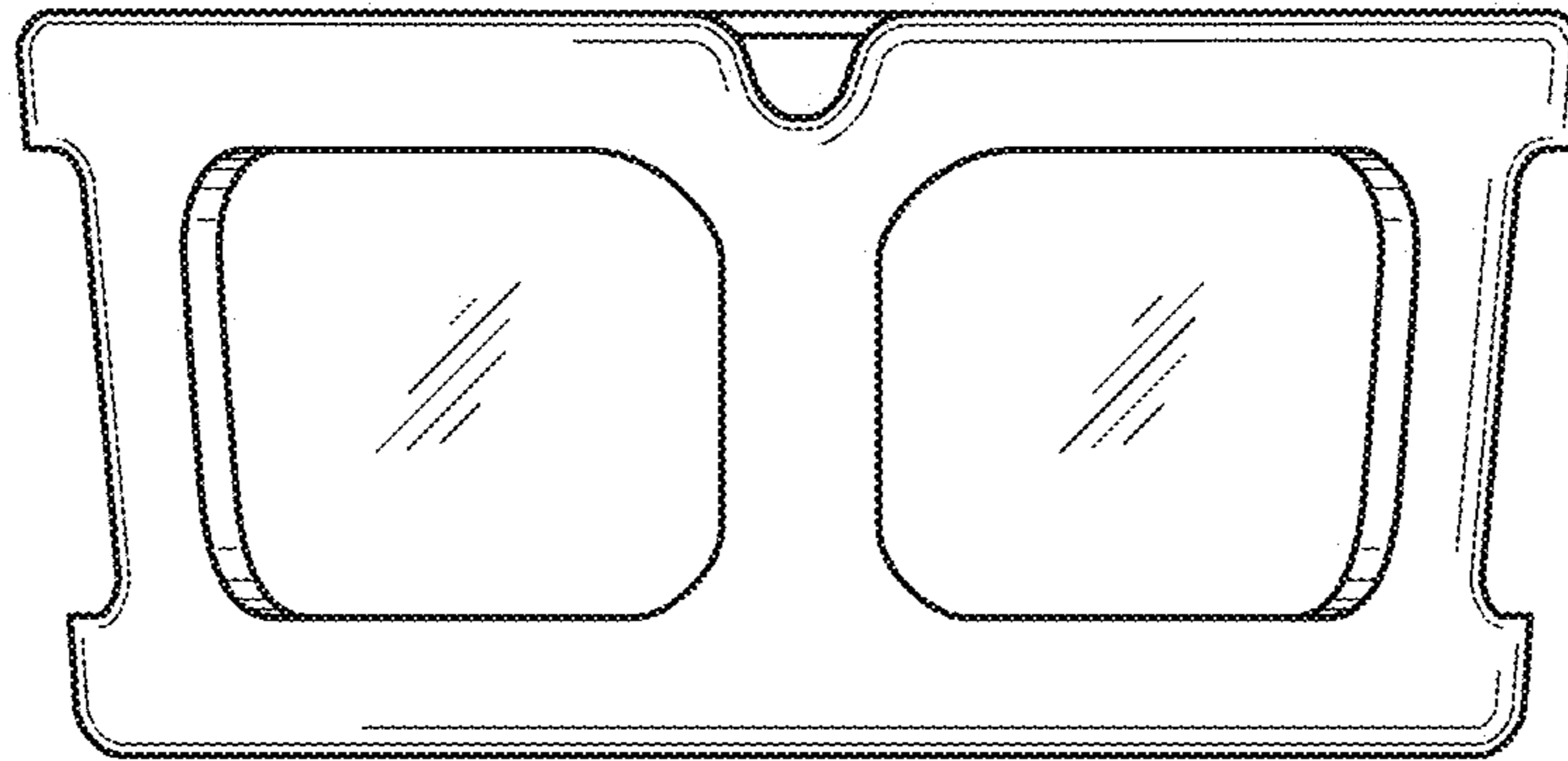


FIG. 2

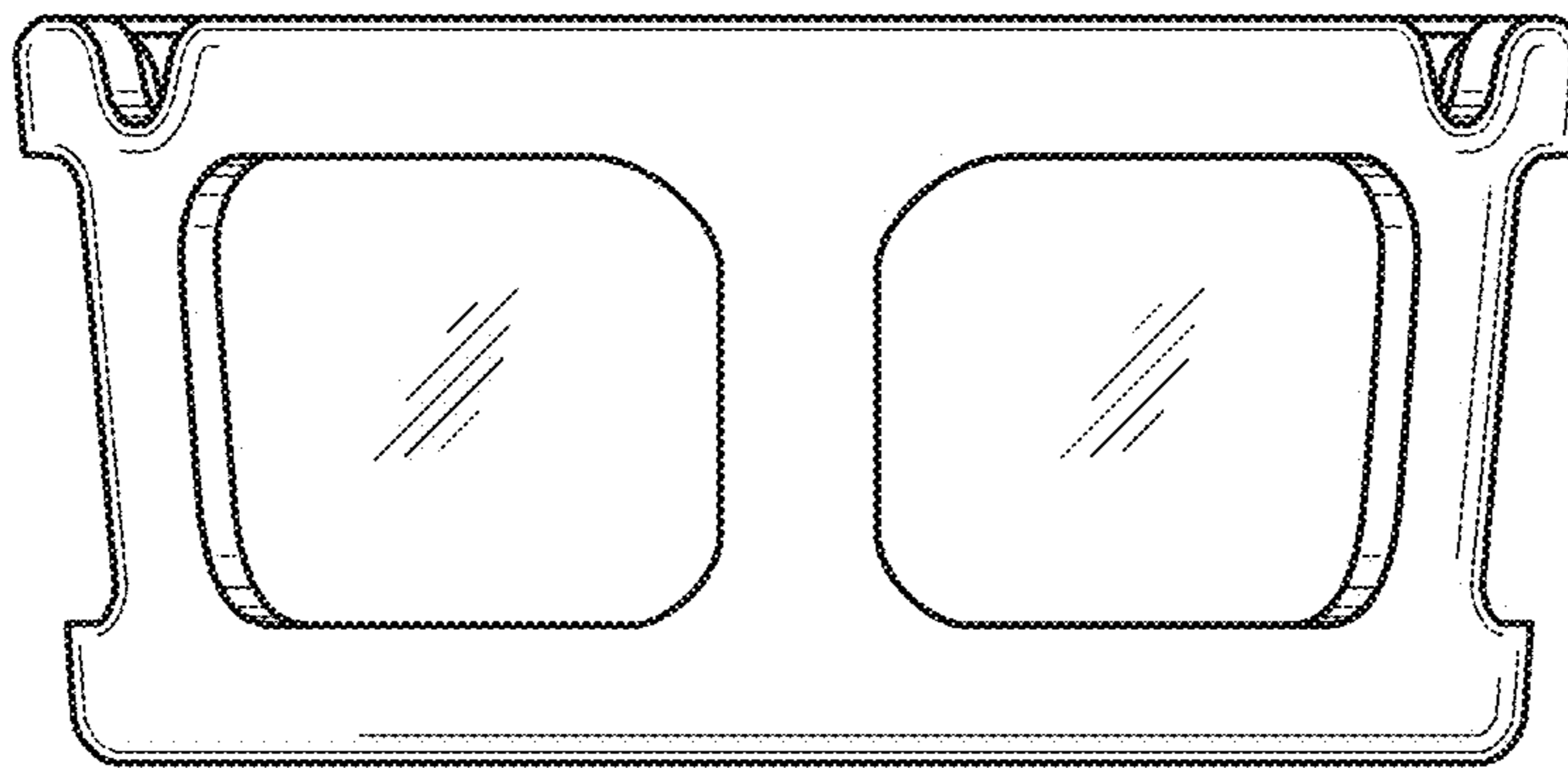


FIG. 3

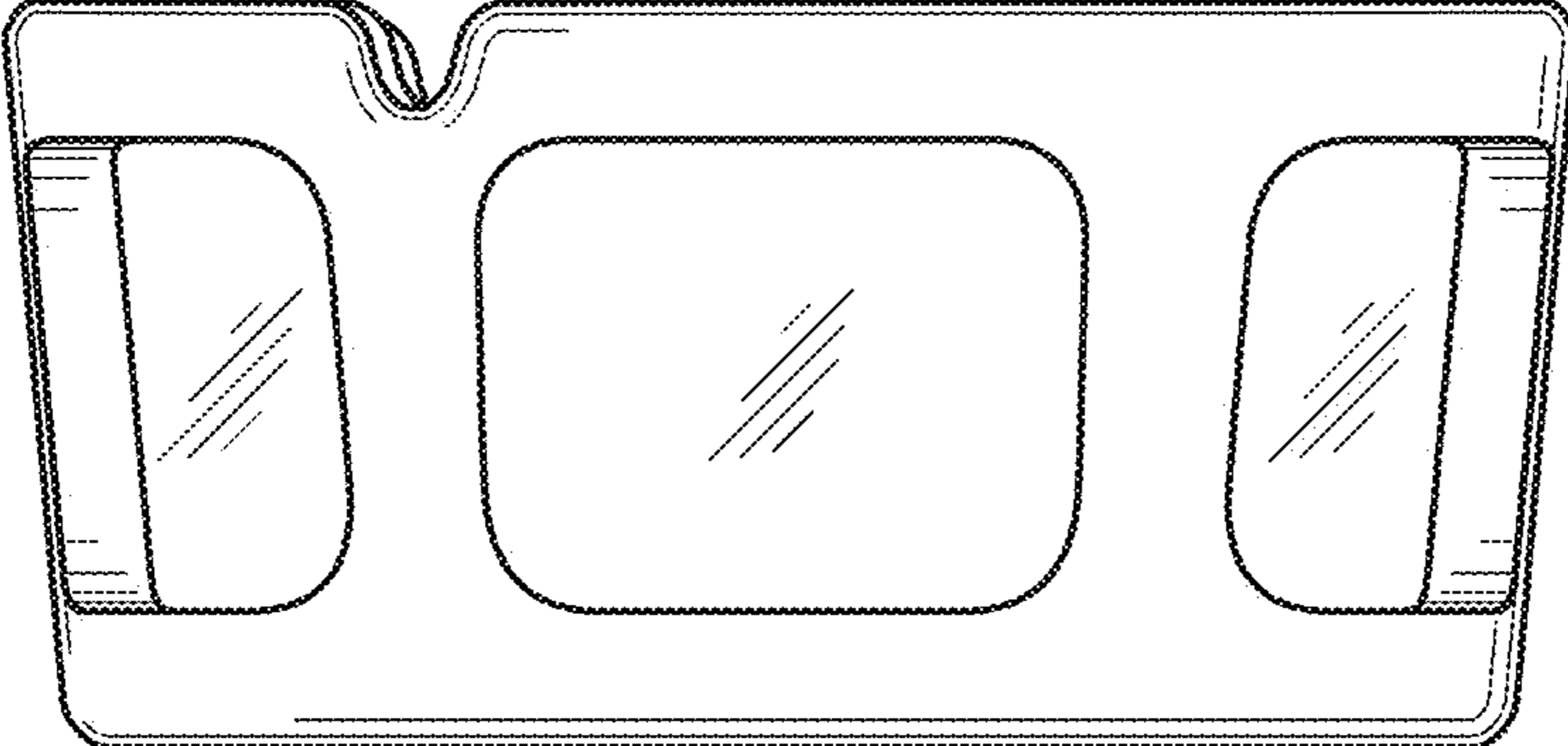


FIG. 4

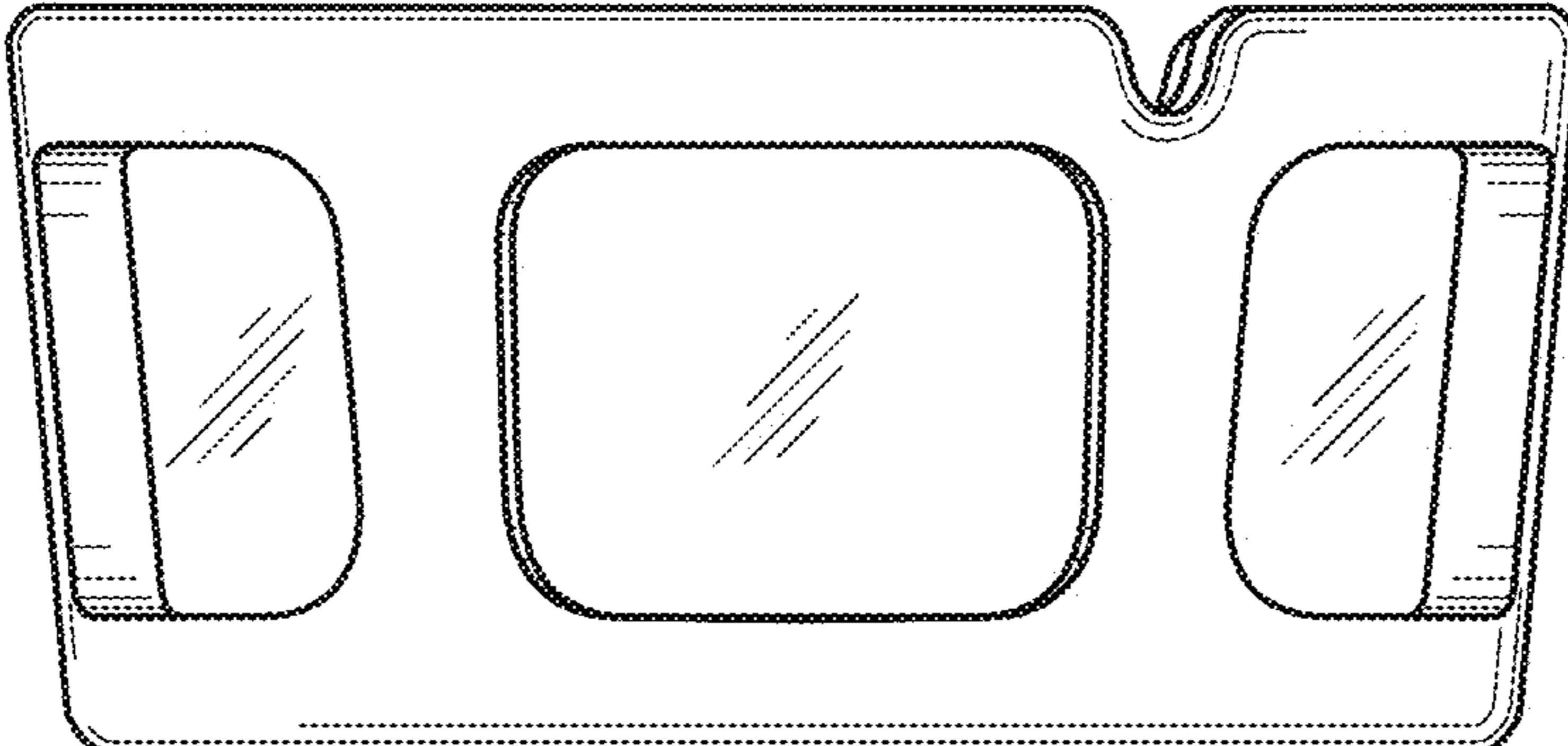


FIG. 5

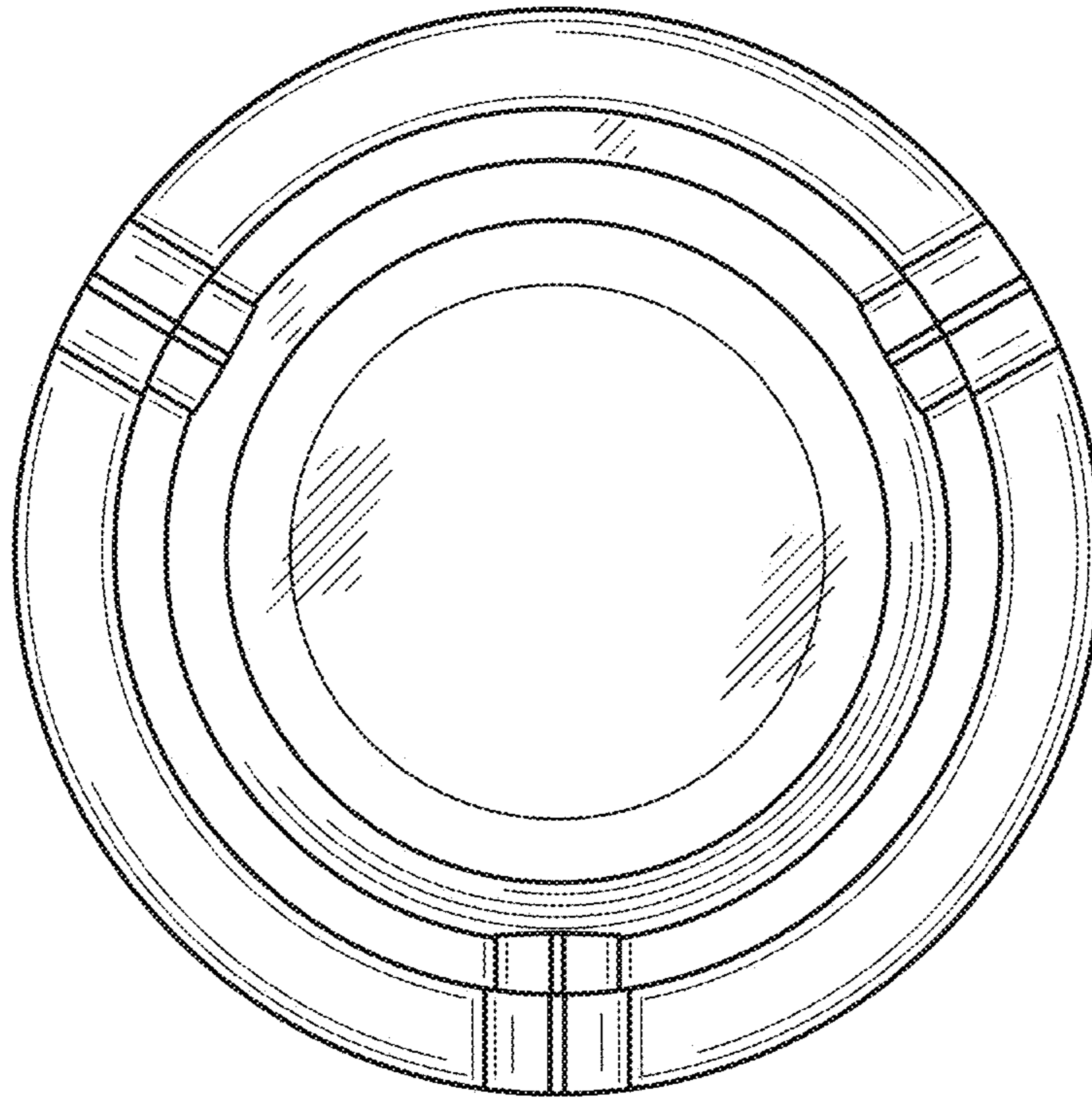


FIG. 6

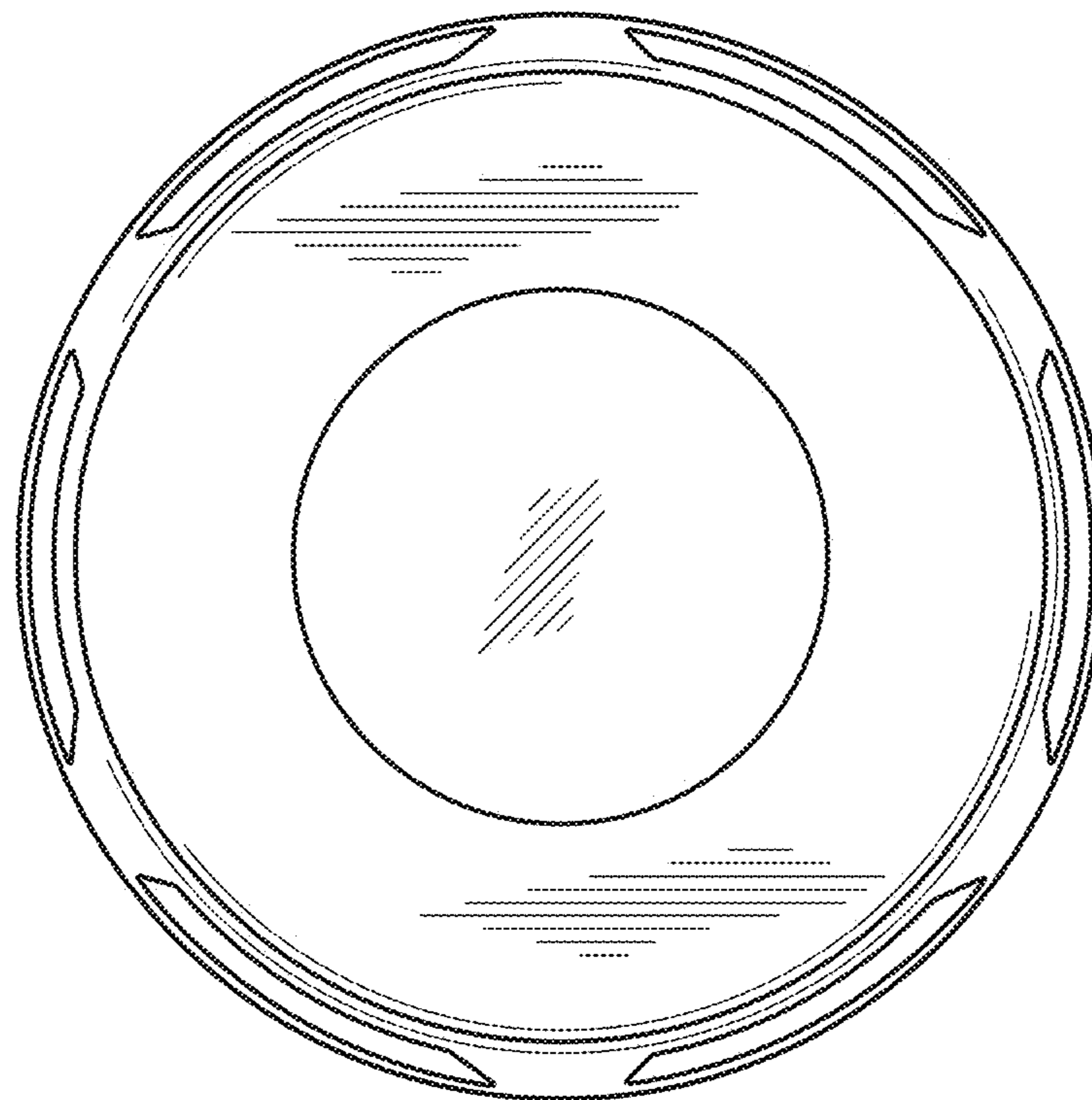


FIG. 7

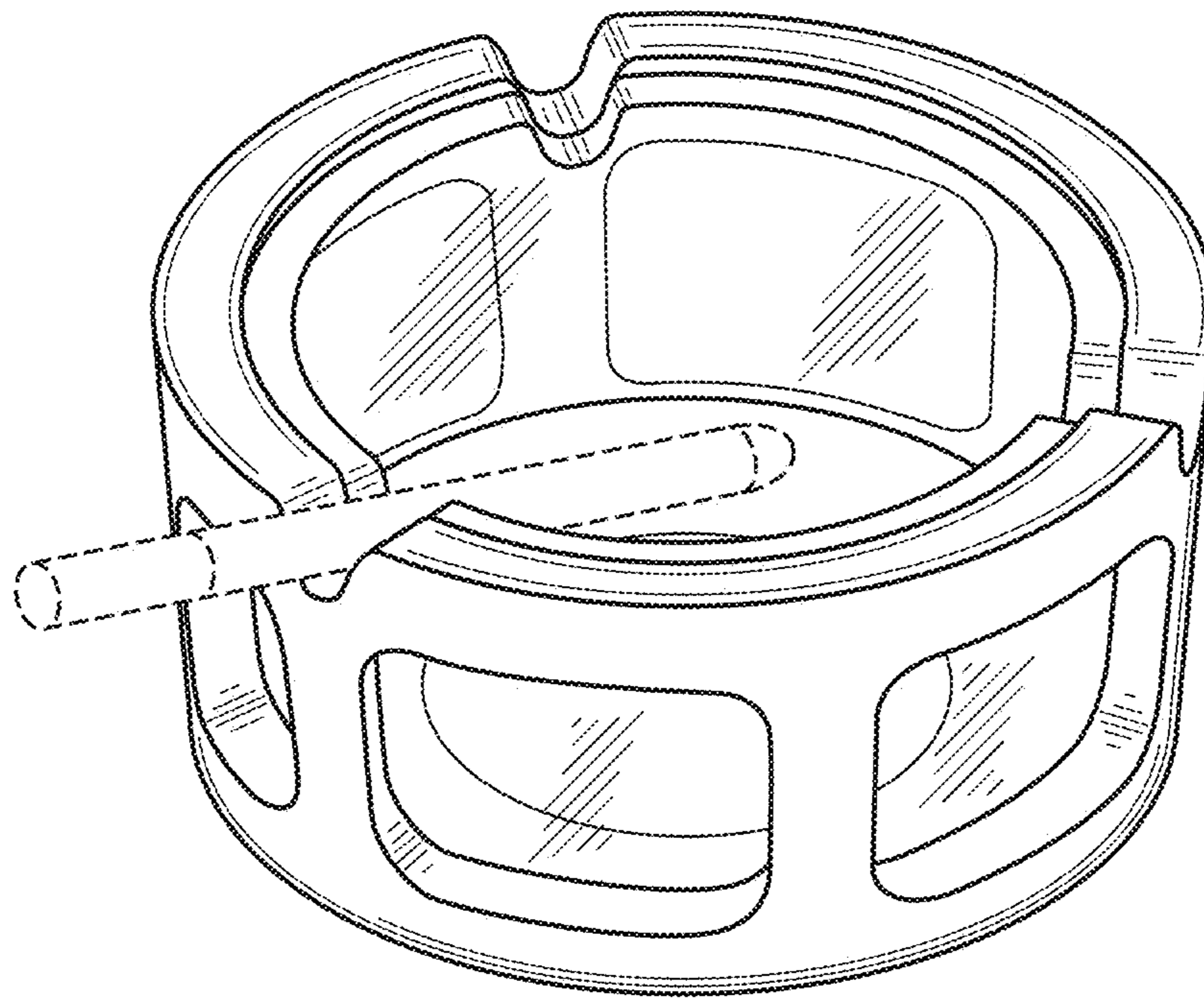


FIG. 8

UNITED STATES PATENT AND TRADEMARK OFFICE
CERTIFICATE OF CORRECTION

PATENT NO. : D969,397 S
APPLICATION NO. : 29/777678
DATED : November 8, 2022
INVENTOR(S) : Haroon Saleh

Page 1 of 3

It is certified that error appears in the above-identified patent and that said Letters Patent is hereby corrected as shown below:

On the Title Page

The figure for publication (FIG. 1) contains an extra line that does not belong to the figure (see page 2).

In the Drawings

Sheet 1, FIG. 1, there is an extra line that does not belong to the figure (see page 2).

Sheet 5, FIG. 8, there is an extra line that does not belong to the figure (see page 3).

Signed and Sealed this
Twenty-sixth Day of December, 2023



Katherine Kelly Vidal
Director of the United States Patent and Trademark Office

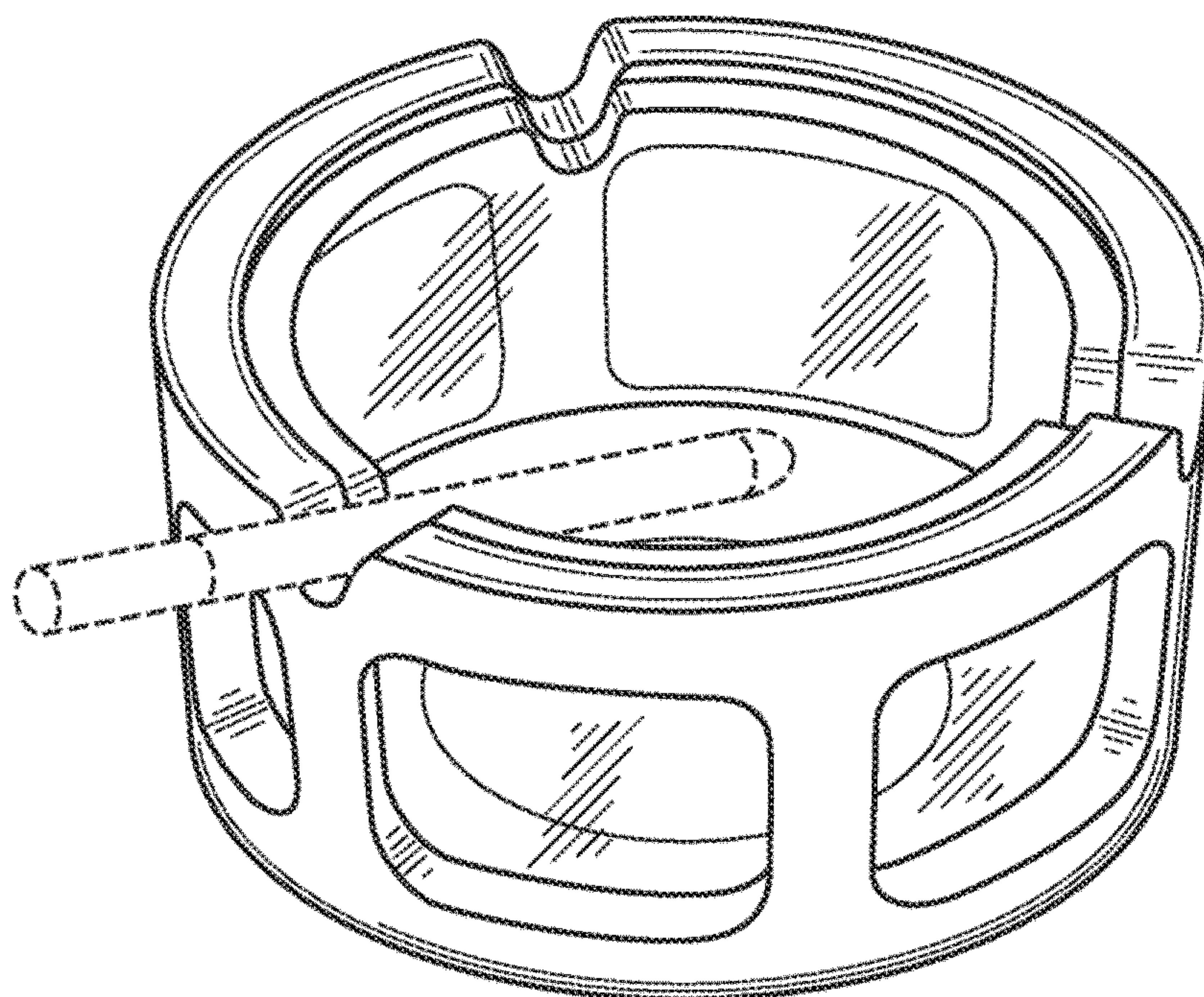


FIG. 8