



US00D969396S

(12) **United States Design Patent** (10) **Patent No.:** **US D969,396 S**
Liang (45) **Date of Patent:** **** Nov. 8, 2022**

(54) **LAMP SUPPORT ARM**
(71) Applicant: **Minqiao Liang**, Maoming (CN)
(72) Inventor: **Minqiao Liang**, Maoming (CN)
(**) Term: **15 Years**
(21) Appl. No.: **29/829,102**
(22) Filed: **Mar. 3, 2022**
(51) **LOC (13) Cl.** **26-05**
(52) **U.S. Cl.**
USPC **D26/138**
(58) **Field of Classification Search**
USPC D26/72, 74, 76, 78–83, 85, 86, 88, 90,
D26/93, 111, 113, 118–122, 138, 139,
D26/140, 141, 142, 152
CPC F21S 2/00; F21S 4/00; F21S 4/003; F21S
4/005; F21S 4/006; F21S 4/007; F21S
4/008; F21S 6/00; F21S 8/00; F21S
8/024; F21S 8/026; F21S 8/031; F21S
8/033; F21S 8/035–037; F21S 8/04; F21S
8/043; F21S 8/063
See application file for complete search history.

(56) **References Cited**
U.S. PATENT DOCUMENTS
D370,290 S * 5/1996 Papillon D26/106
D392,761 S * 3/1998 Bellini D26/63
D479,355 S * 9/2003 Dalton D26/67
D484,634 S * 12/2003 Olson D26/104
D485,004 S * 1/2004 Olson D26/104
D511,396 S 11/2005 Flores
D511,859 S 11/2005 De'Armond
D512,793 S 12/2005 De'Armond
D533,295 S * 12/2006 Chen D26/67
D589,205 S * 3/2009 Sabernig D26/104
D600,396 S * 9/2009 Luinstra D26/104

D604,866 S * 11/2009 Randazzo D25/126
D628,730 S * 12/2010 Chen D26/68
D638,974 S * 5/2011 Fuksas D26/68
D639,989 S * 6/2011 Chen D26/68
D696,805 S * 12/2013 Duquette D26/68
D729,966 S * 5/2015 Szalontai D26/70
D729,967 S * 5/2015 Szalontai D26/71
D778,481 S * 2/2017 Galloppa D26/68
D825,808 S * 8/2018 Hsu D26/68
D827,898 S * 9/2018 Li D10/114.2
D876,712 S * 2/2020 Bembridge D26/138
D878,669 S * 3/2020 Bembridge D26/138
D903,929 S * 12/2020 Gillespie D26/106
D928,987 S * 8/2021 Stegeman D25/126

* cited by examiner

Primary Examiner — Natasha Vujcic
(74) *Attorney, Agent, or Firm* — Zhihua Han

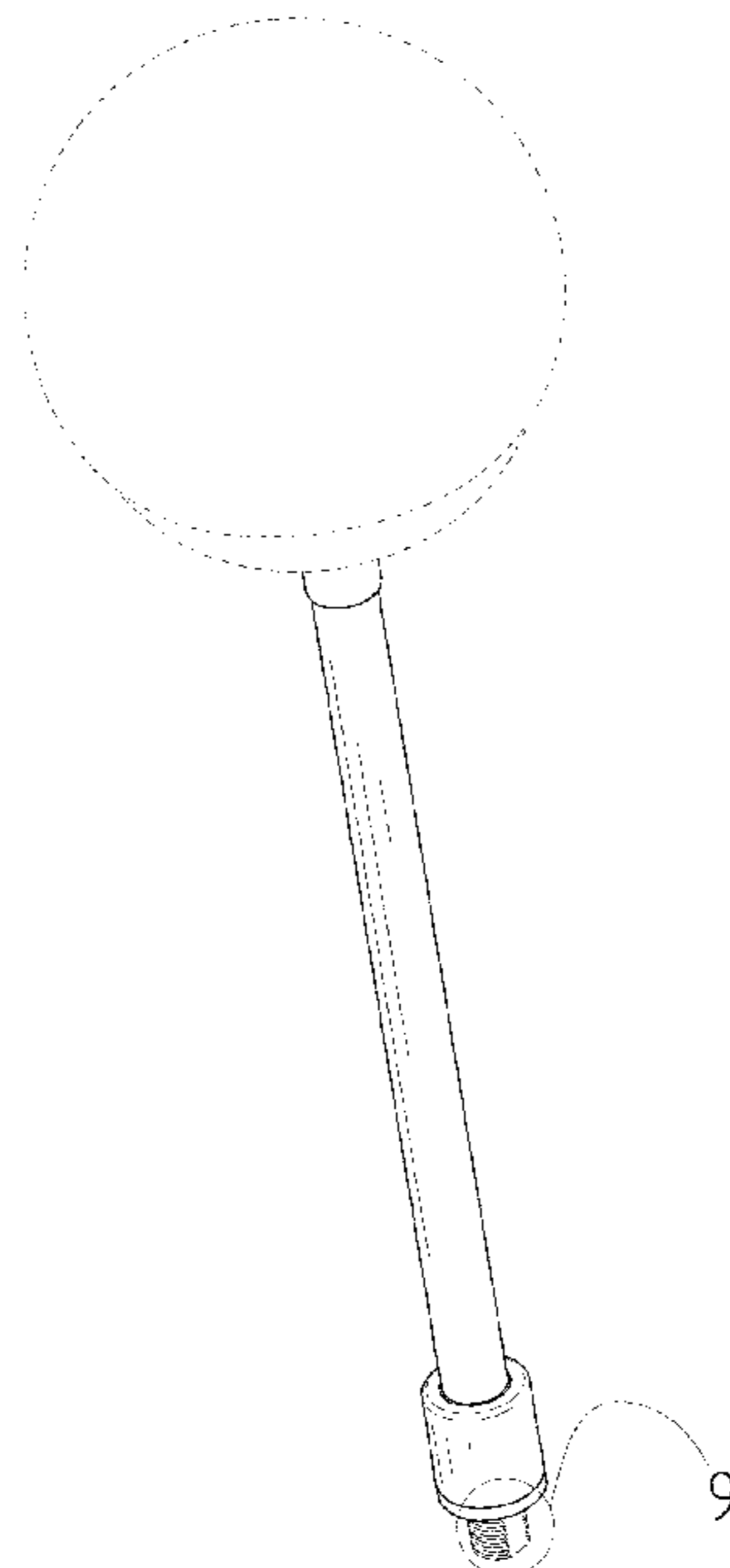
(57) **CLAIM**

The ornamental design for a lamp support arm, as shown and described.

DESCRIPTION

FIG. 1 is a perspective view of a lamp support arm showing my new design;
FIG. 2 is a front view thereof;
FIG. 3 is a back view thereof;
FIG. 4 is a left side view thereof;
FIG. 5 is a right side view thereof;
FIG. 6 is a top view thereof;
FIG. 7 is a bottom view thereof;
FIG. 8 is an exploded view of the lamp support arm thereof;
FIG. 9 is an enlarged view of the selected portion 9 in FIG. 1.
The broken lines shown in the drawings depict portions of the lamp support arm that form no part of the claimed design.

1 Claim, 9 Drawing Sheets



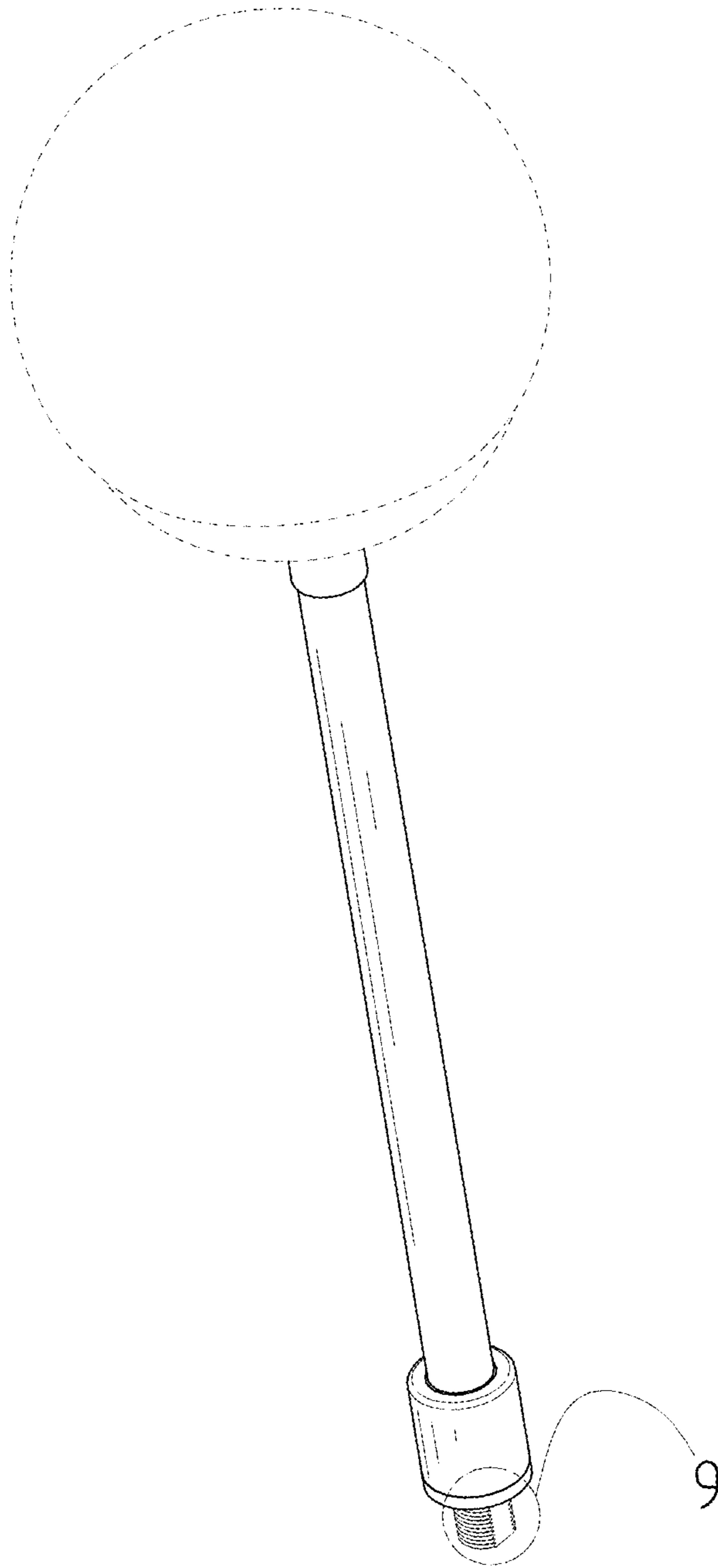


FIG. 1

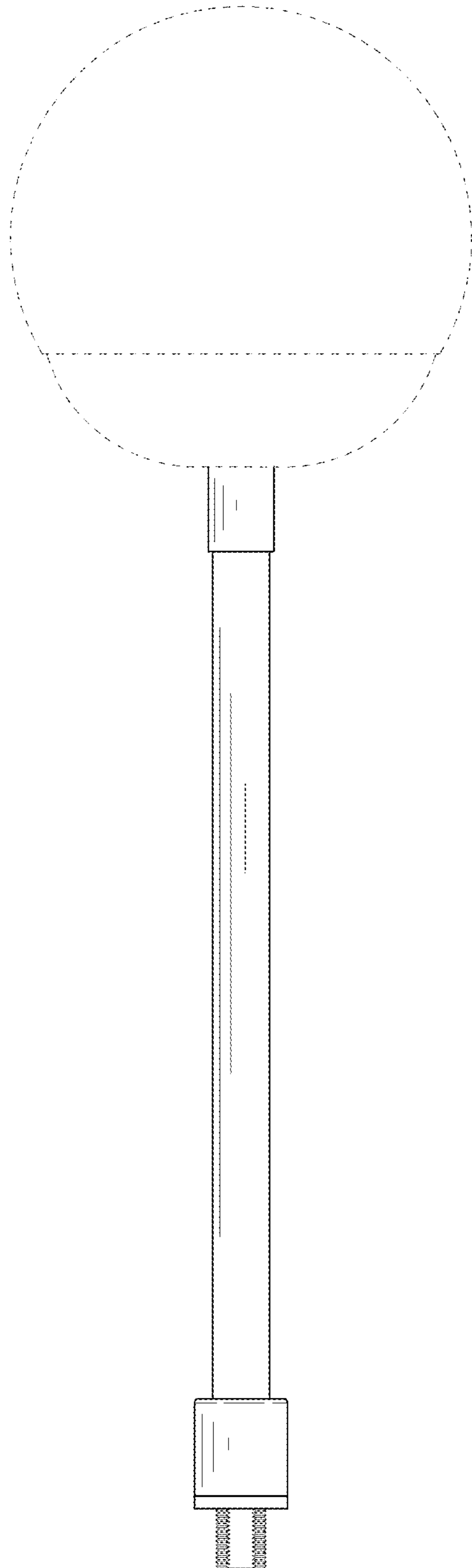


FIG. 2

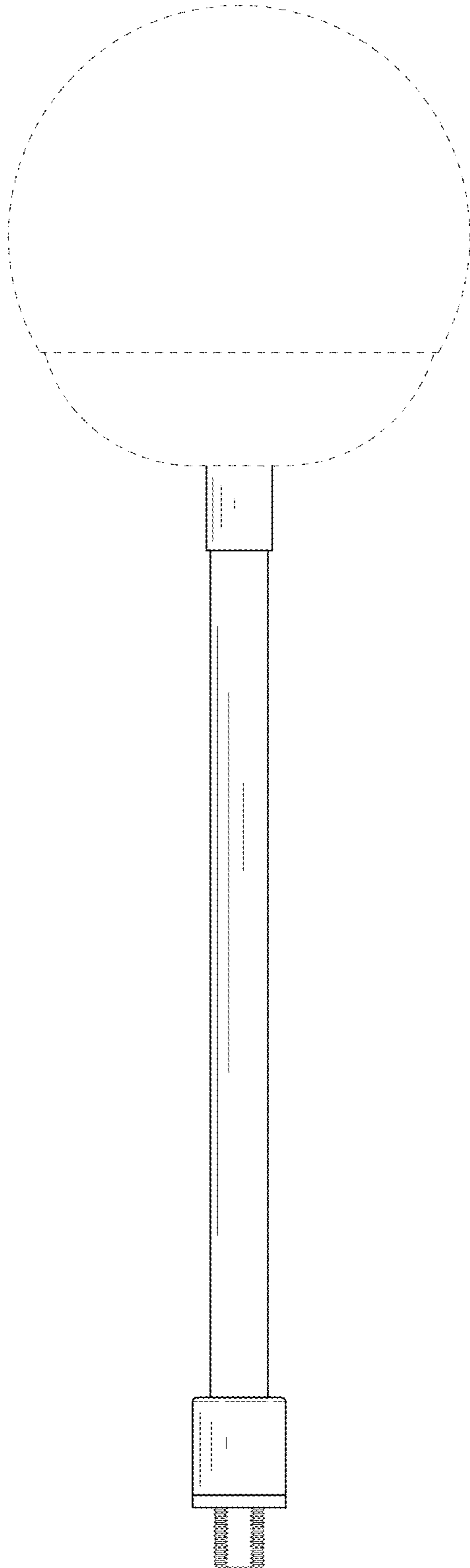


FIG. 3

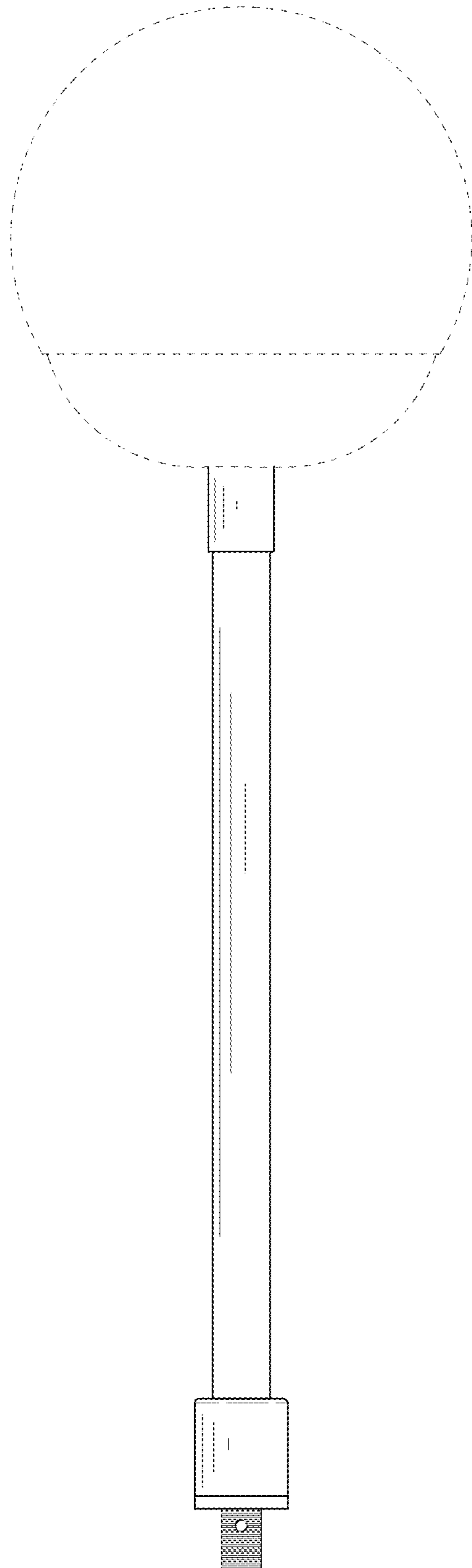


FIG. 4

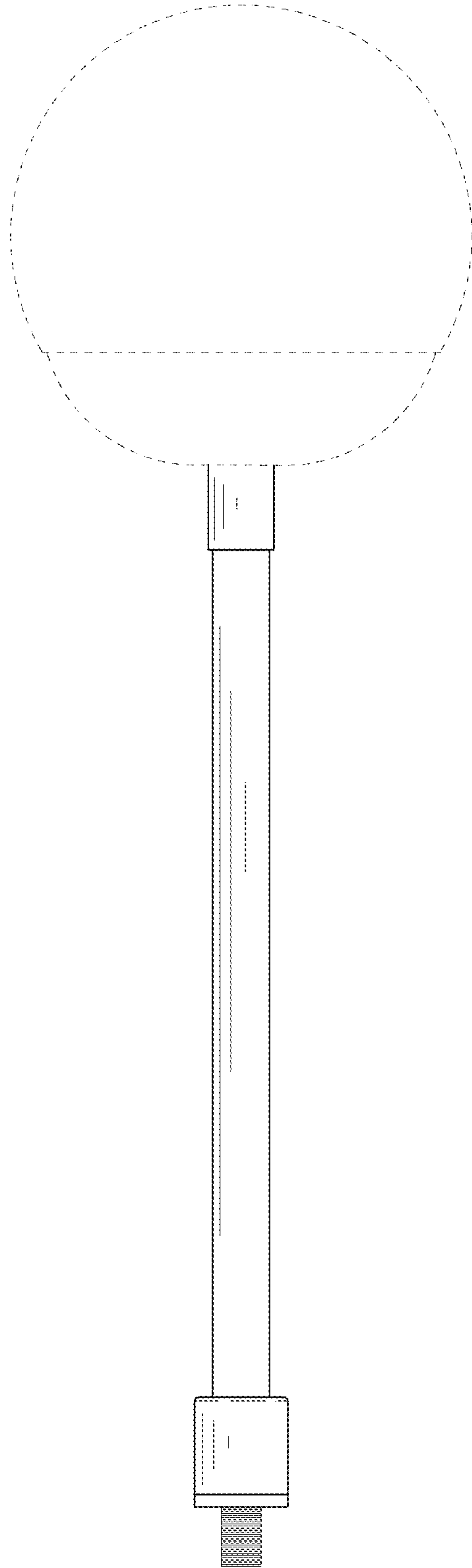


FIG. 5

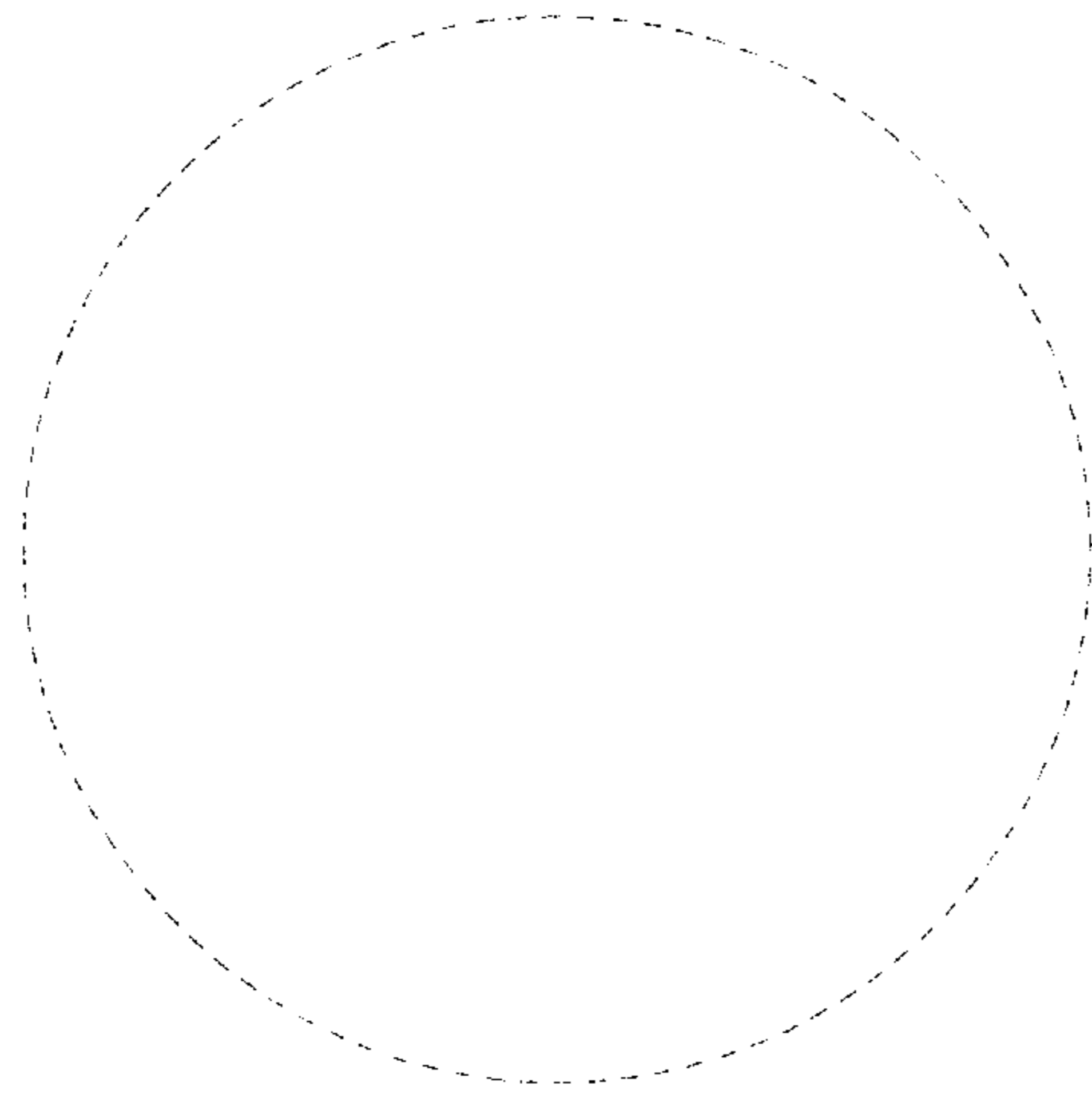


FIG. 6

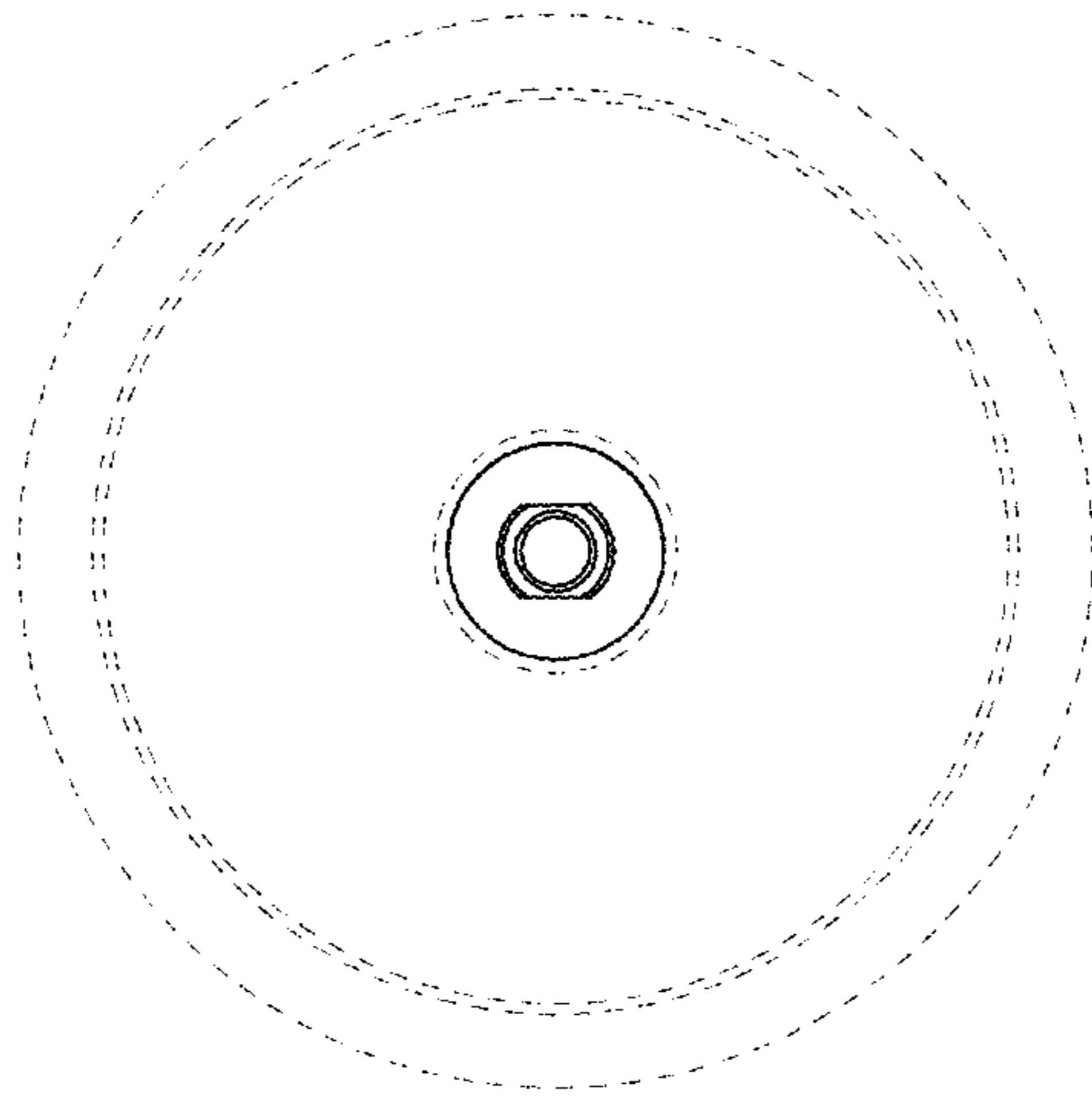


FIG. 7

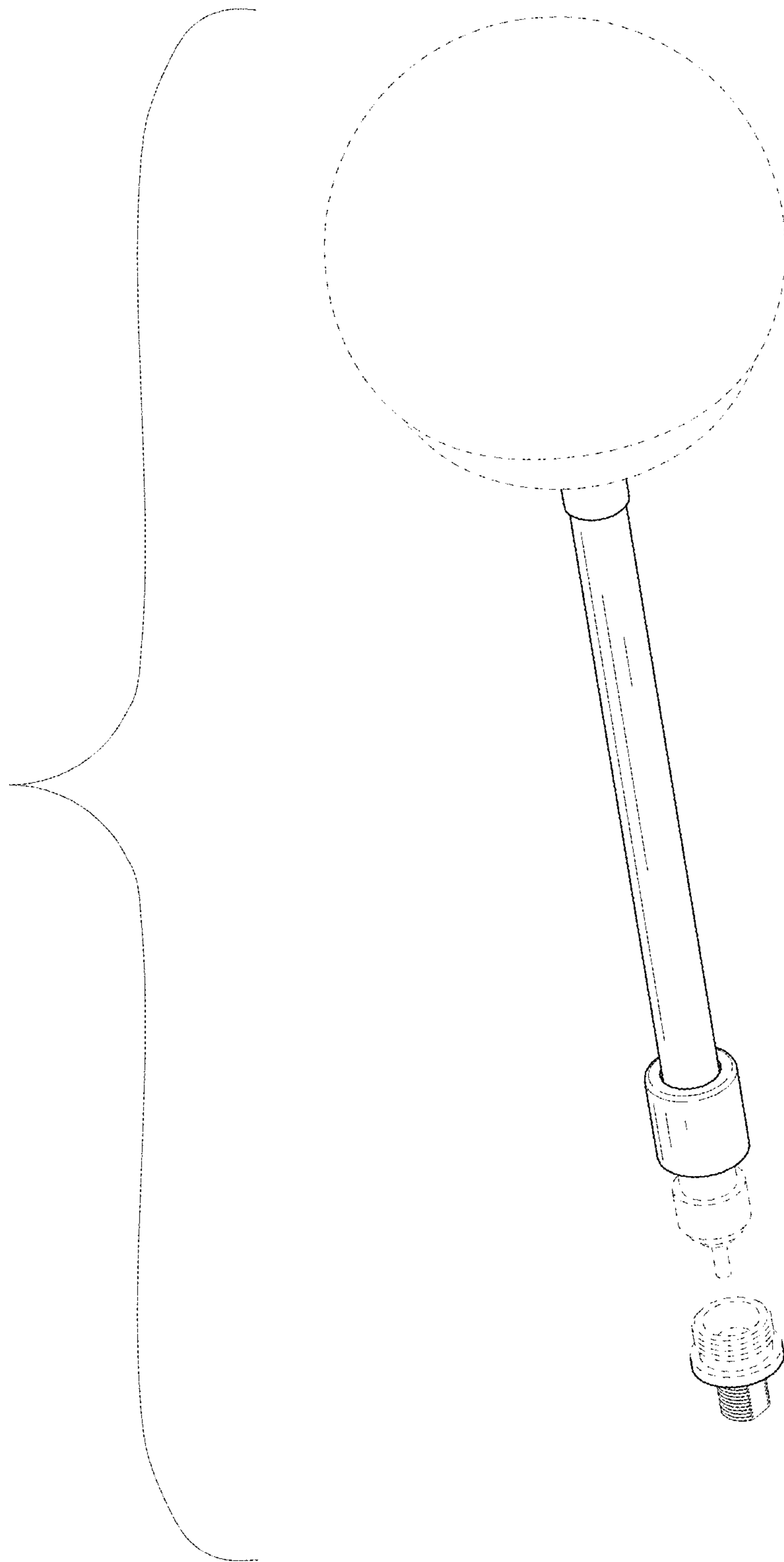


FIG. 8

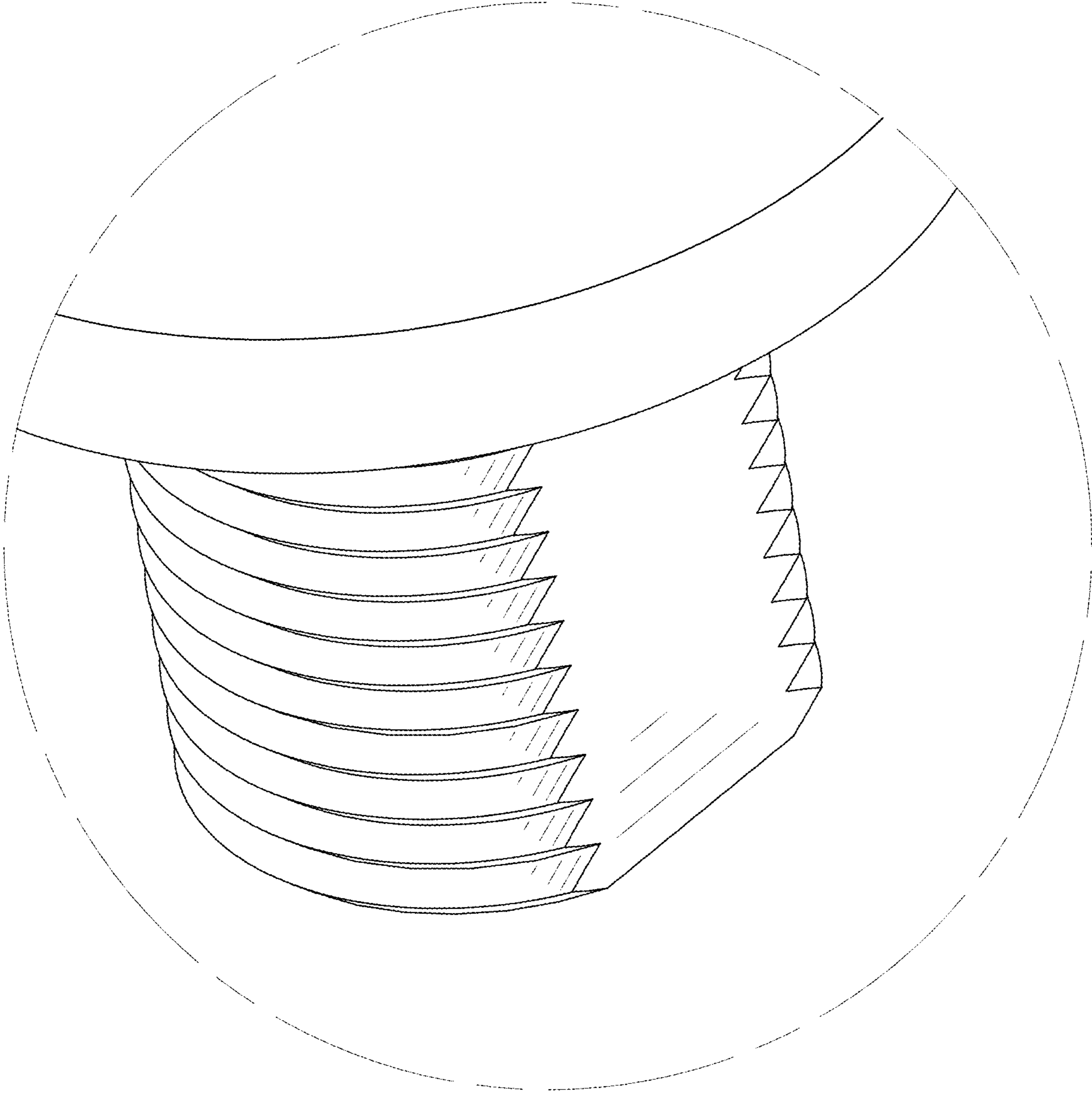


FIG. 9