



US00D969395S

(12) **United States Design Patent**
Silver

(10) **Patent No.:** **US D969,395 S**

(45) **Date of Patent:** **** Nov. 8, 2022**

(54) **LUMINAIRE**

(71) Applicant: **Beta-Calco Inc.**, Toronto (CA)

(72) Inventor: **Remy Silver**, Toronto (CA)

(73) Assignee: **Beta-Calco Inc.**, Toronto (CA)

(**) Term: **15 Years**

(21) Appl. No.: **29/750,669**

(22) Filed: **Sep. 15, 2020**

(51) **LOC (13) Cl.** **26-05**

(52) **U.S. Cl.**

USPC **D26/121**; D26/77

(58) **Field of Classification Search**

USPC D25/119, 121, 123, 125; D26/1, 2, 24,
D26/27, 72, 74-78, 80-83, 85-86, 88-90,
D26/113, 118, 120-122, 138, 141

CPC F21S 8/00; F21S 8/03; F21S 8/031; F21S
8/036; F21S 8/04; F21S 8/043; F21S
8/046; F21S 8/06; F21S 8/063; F21V
3/049; F21V 7/00; F21V 7/0016; F21V
7/0041; F21V 7/005; F21V 7/0083; F21V
23/001

See application file for complete search history.

(56) **References Cited**

U.S. PATENT DOCUMENTS

D143,641 S *	1/1946	Biller	D26/121
D156,332 S *	12/1949	Gilman	D26/77
D158,782 S *	5/1950	Meyer	D26/77
D330,946 S *	11/1992	Dieperink	D26/77
D334,076 S *	3/1993	Dieperink	D26/77
D597,248 S *	7/2009	Lee	D26/122
D621,989 S *	8/2010	Proner	D26/76
D672,903 S *	12/2012	Toney, Jr.	D26/92

(Continued)

OTHER PUBLICATIONS

Luminaire Example, available Oct. 25, 2020, retrieved on Jun. 30, 2022 from URL: <https://www.ledil.com/application-areas/linear-luminaire-with-daisy-mini/> (Year: 2020).*

(Continued)

Primary Examiner — Richard Kearney

Assistant Examiner — Christina M. Dodson

(74) *Attorney, Agent, or Firm* — Renner, Otto, Boisselle & Sklar, LLP

(57) **CLAIM**

The ornamental design for a luminaire, as shown and described.

DESCRIPTION

FIG. 1 is a top perspective view of a luminaire showing the design;

FIG. 2 is a bottom perspective view thereof;

FIG. 3 is a front view thereof;

FIG. 4 is a rear view thereof;

FIG. 5 is a top view thereof;

FIG. 6 is a bottom view thereof;

FIG. 7 is a left side view thereof;

FIG. 8 is a right side view thereof;

FIG. 9 is a top perspective view of a luminaire showing the design with break lines in its length;

FIG. 10 is a bottom perspective view thereof;

FIG. 11 is a front view thereof;

FIG. 12 is a rear view thereof;

FIG. 13 is a top view thereof;

FIG. 14 is a bottom view thereof;

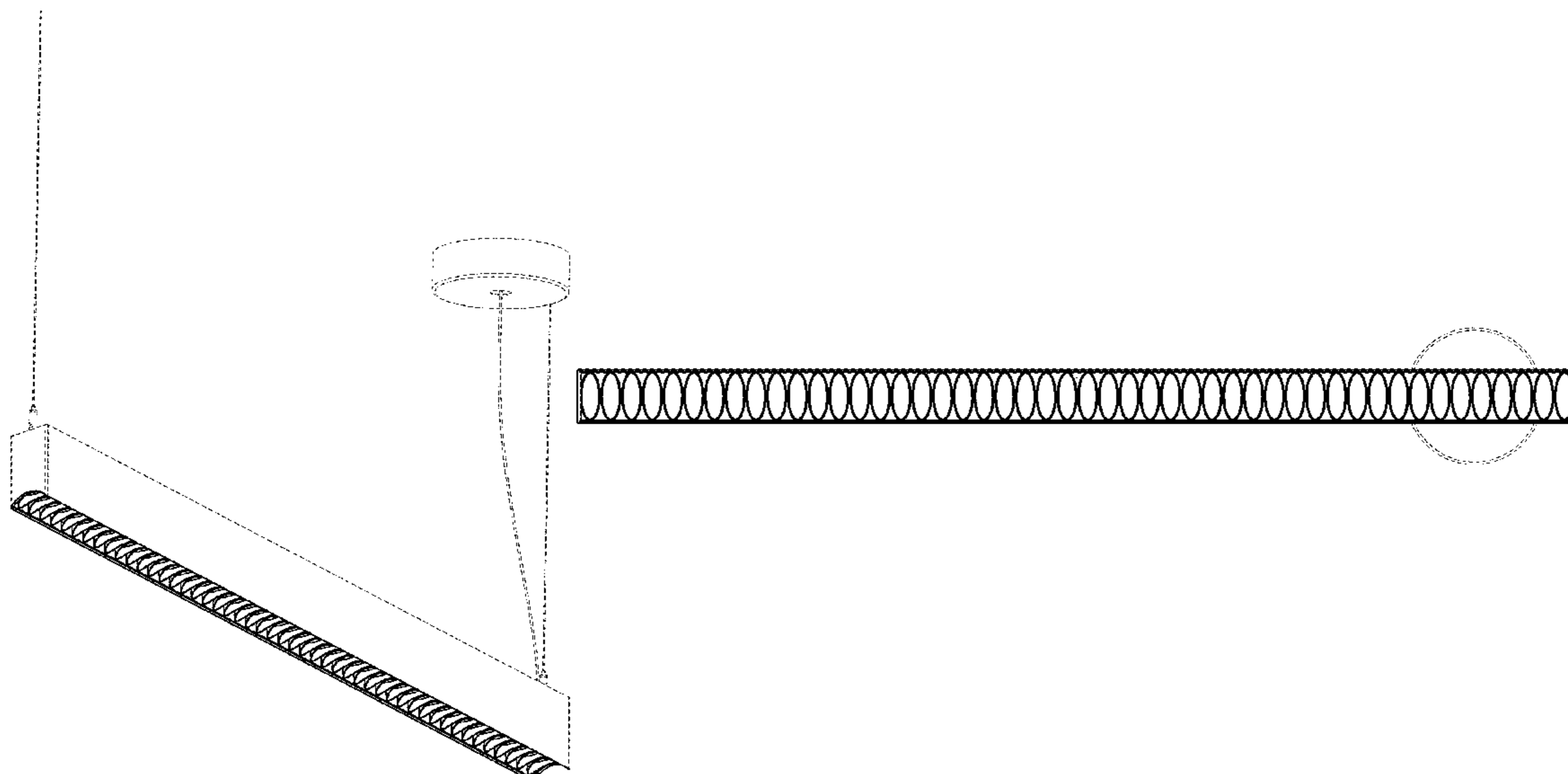
FIG. 15 is a left side view thereof; and,

FIG. 16 is a right side view thereof.

The portions of the luminaire shown in broken lines form no part of the design.

The luminaire is shown with a symbolic break in its length. The appearance of any portion of the article between the break lines forms no part of the claimed design.

1 Claim, 12 Drawing Sheets



(56)

References Cited

U.S. PATENT DOCUMENTS

D943,798 S * 2/2022 Santos D26/90
2016/0010834 A1 * 1/2016 Pohn H01L 33/483
362/249.02

OTHER PUBLICATIONS

OOOOH™, date unavailable, retrieved on Jun. 30, 2022 from URL:
<https://betacalco.com/products/oooooh-suspended/configurator-copy-464> (Year: 2022).*

1.3 inch Wall Mount Linear, date unavailable, retrieved on Jun. 30,
2022 from URL: <https://www.oktlighting.com/1-3-inch-wall-mount-linear-diffuser> (Year: 2022).*

* cited by examiner

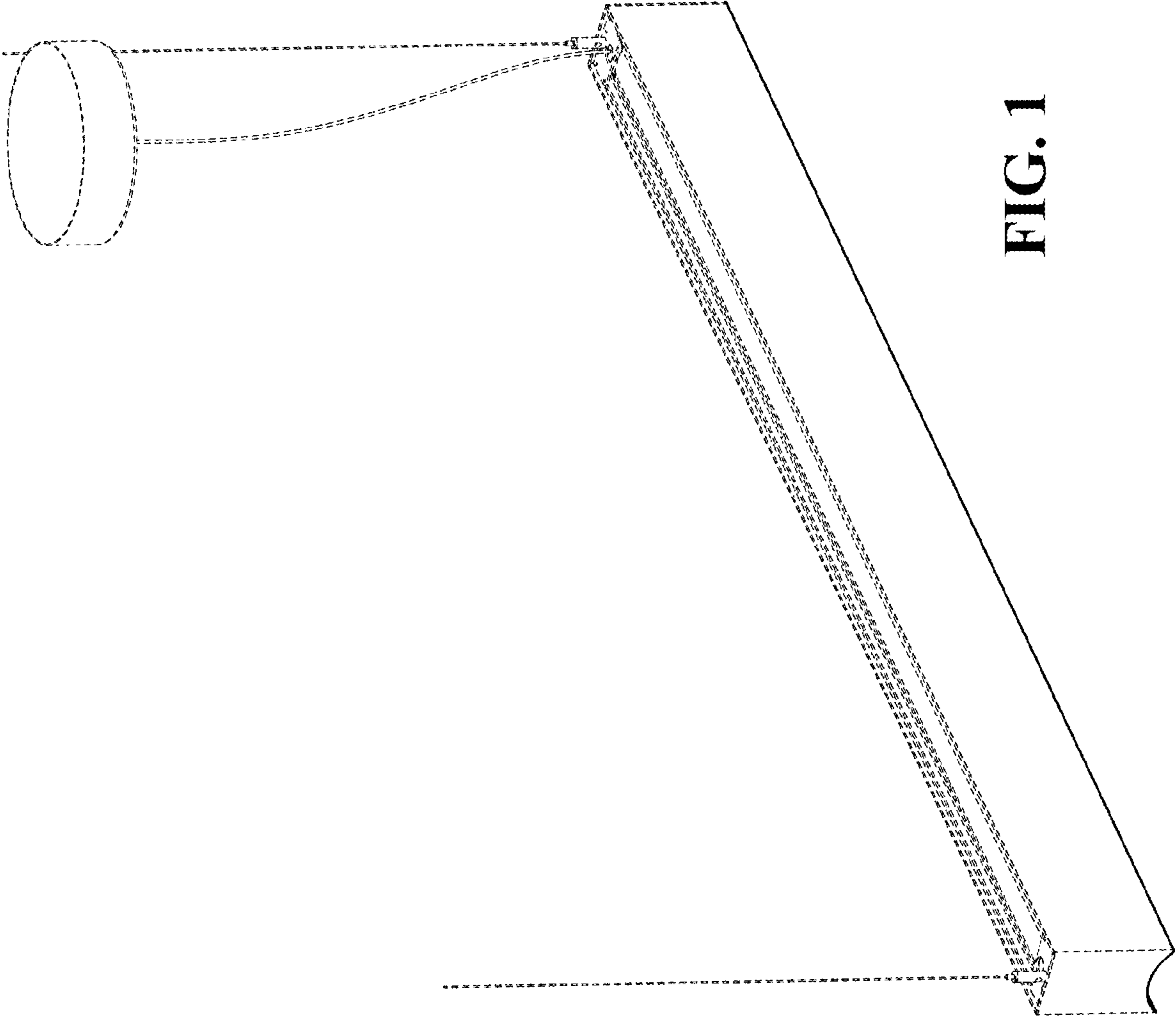


FIG. 1

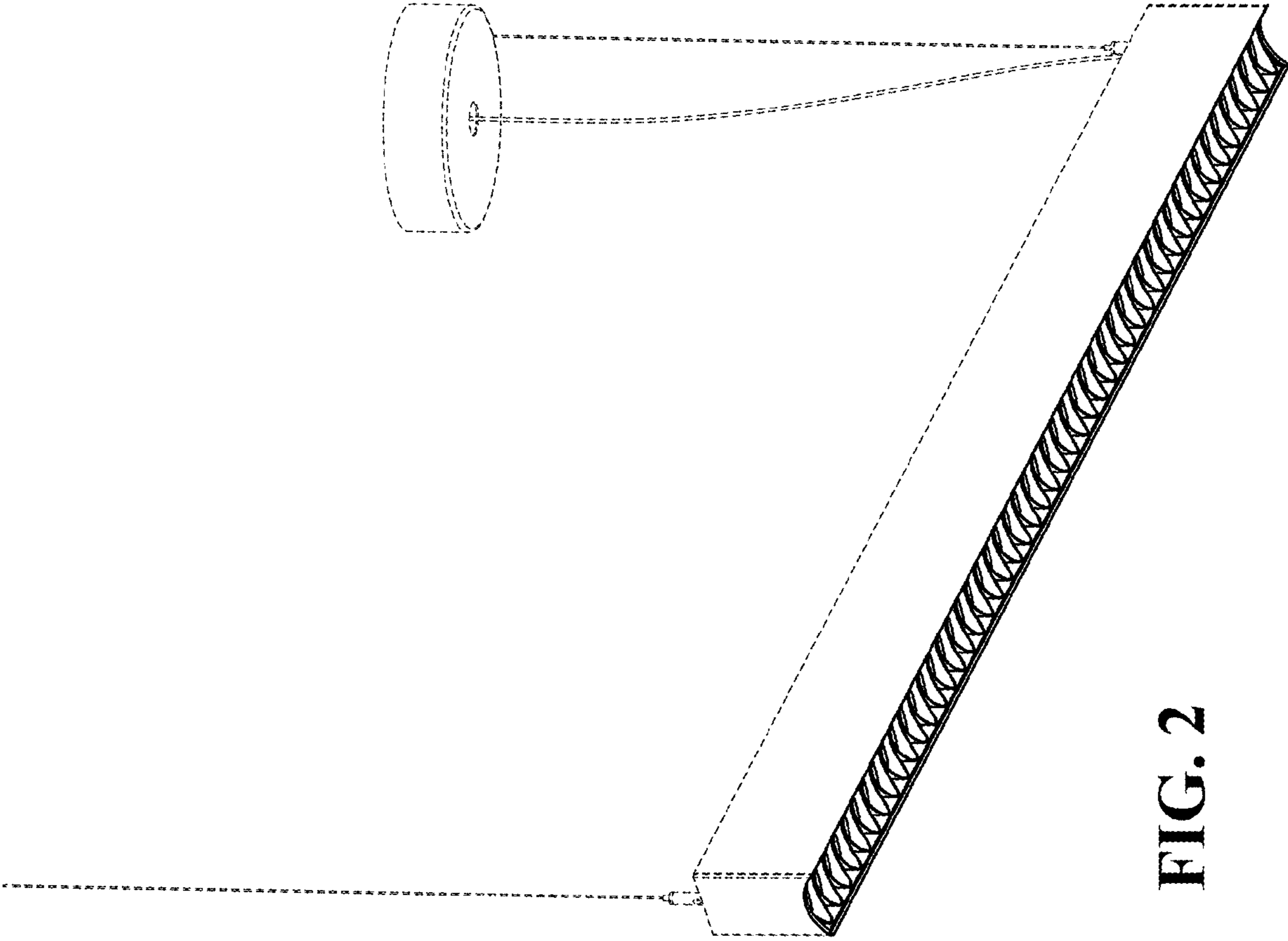


FIG. 2

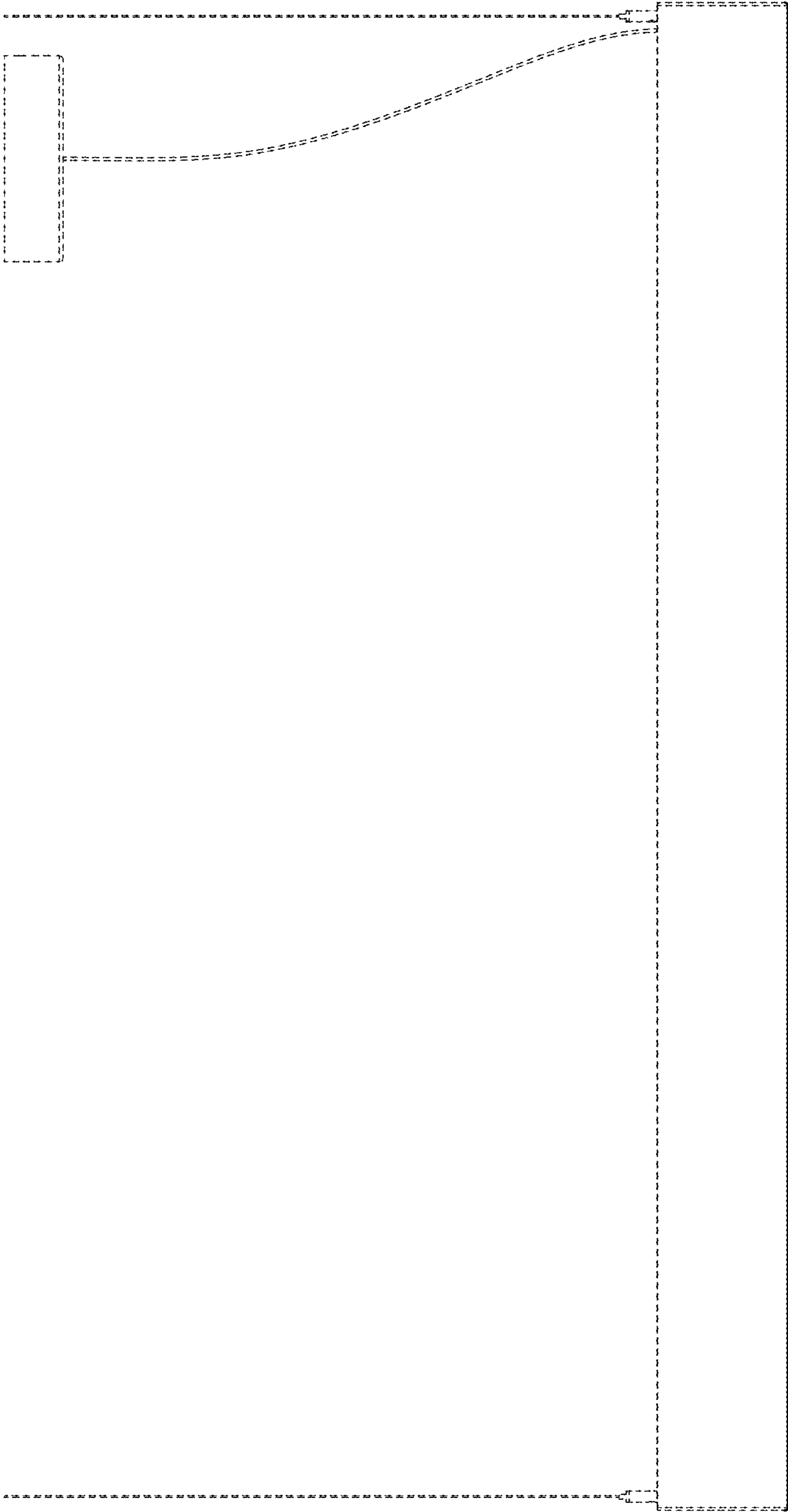


FIG. 3

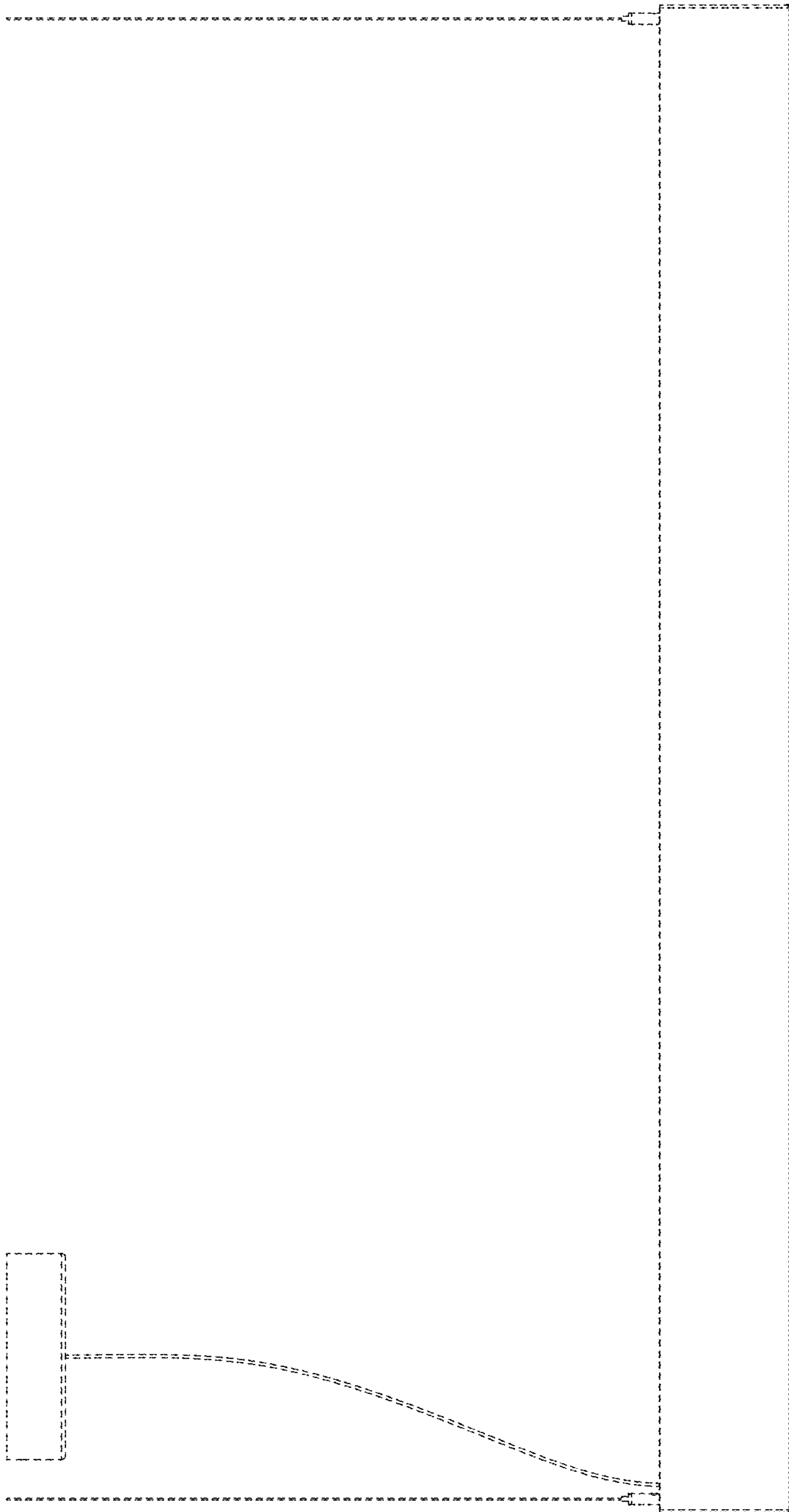


FIG. 4

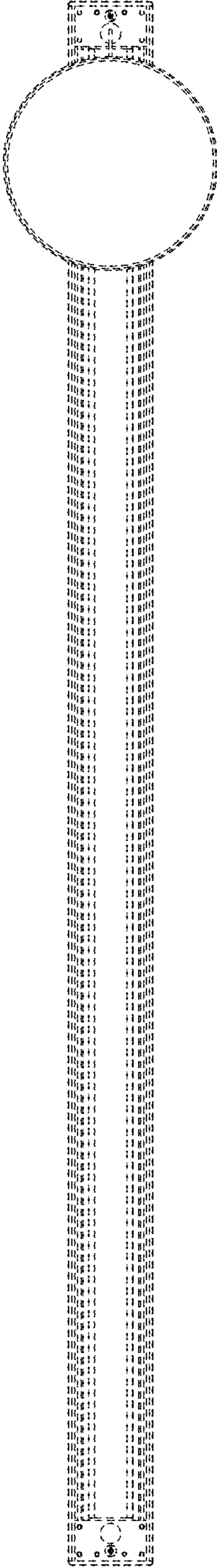


FIG. 5

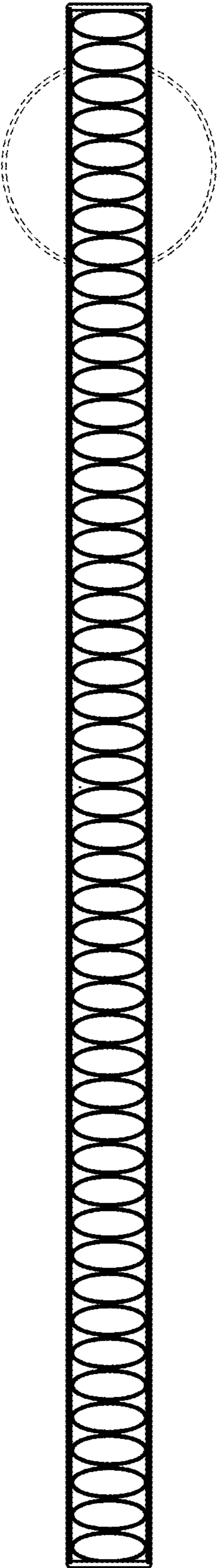


FIG. 6

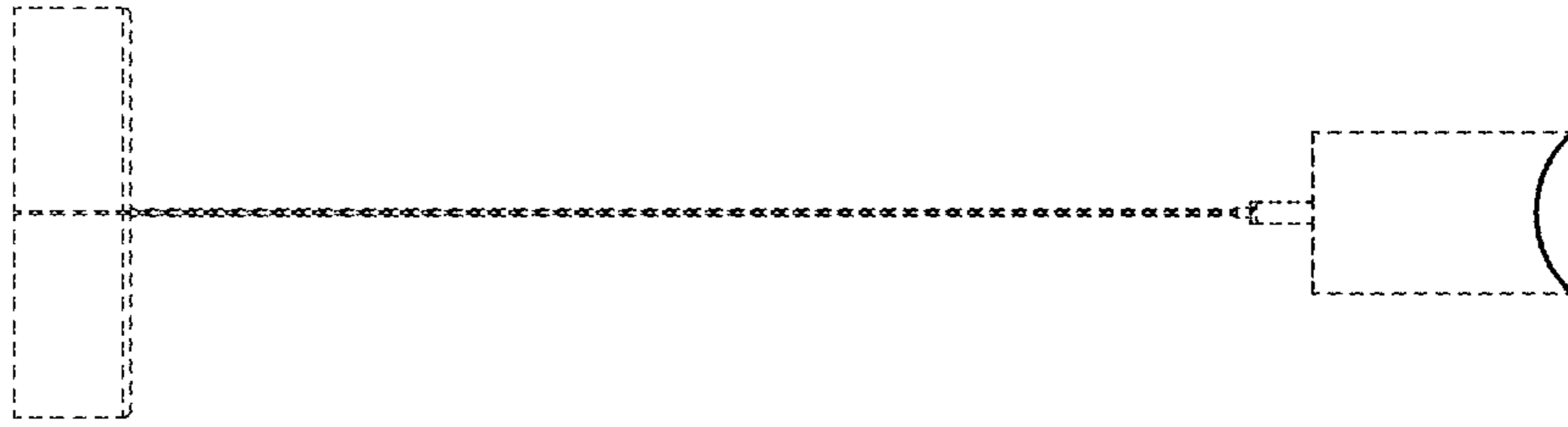


FIG. 8

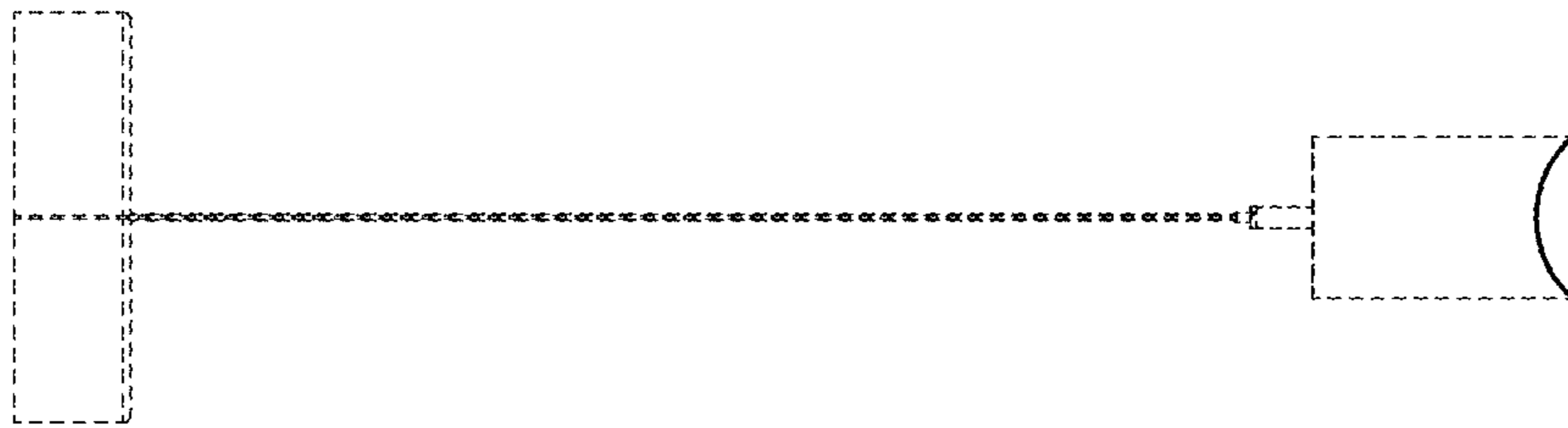


FIG. 7

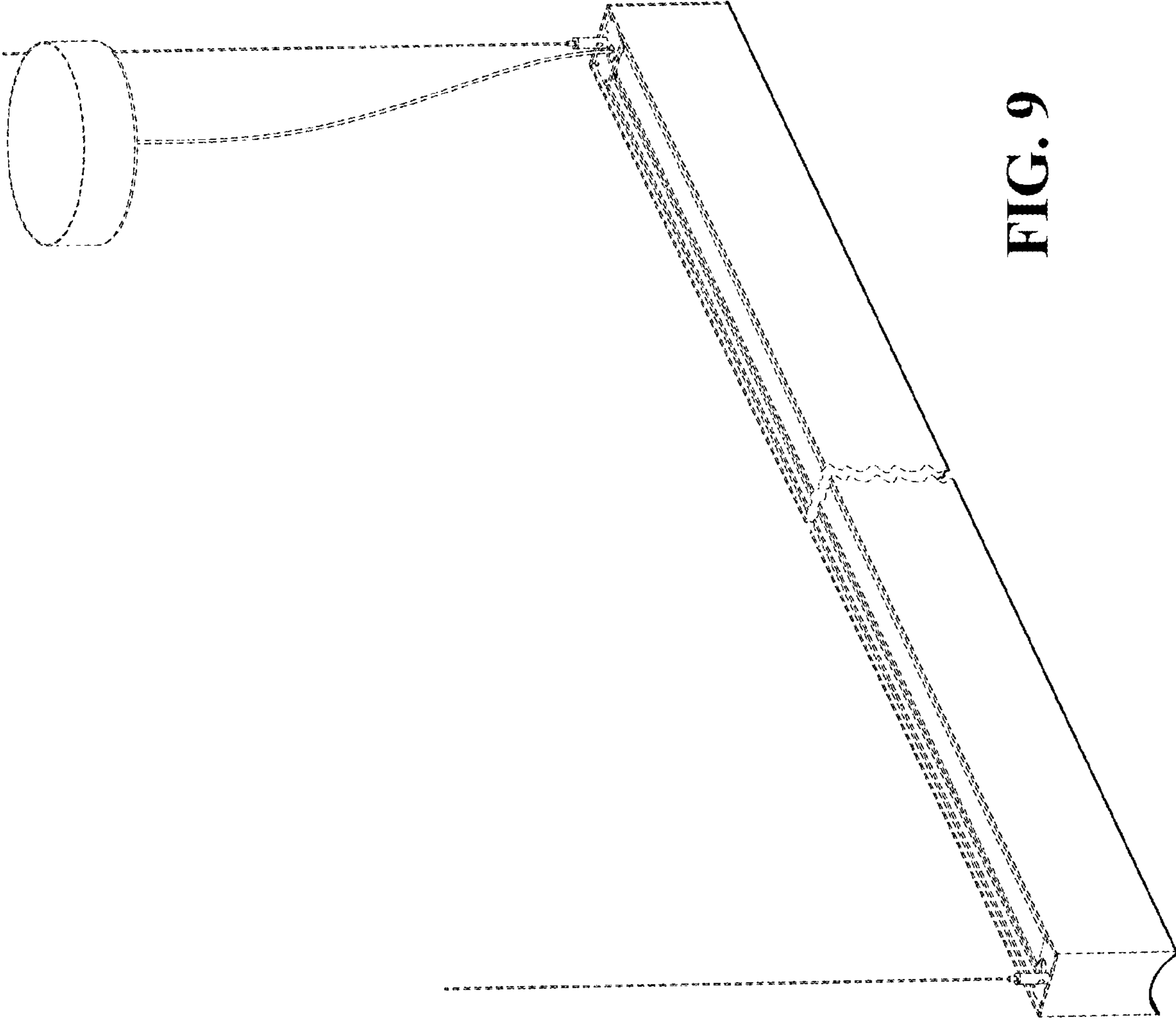


FIG. 9

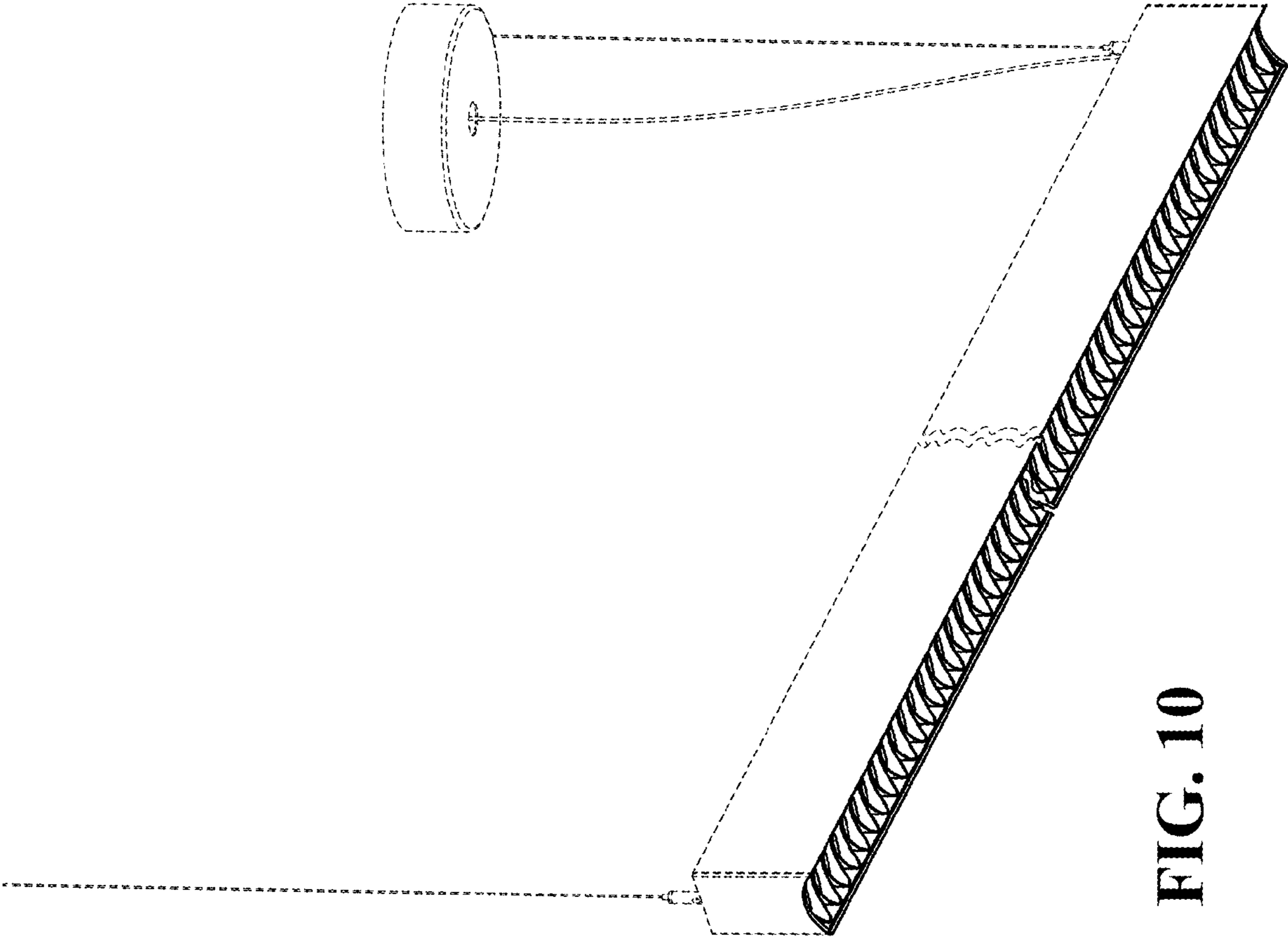


FIG. 10



FIG. 11

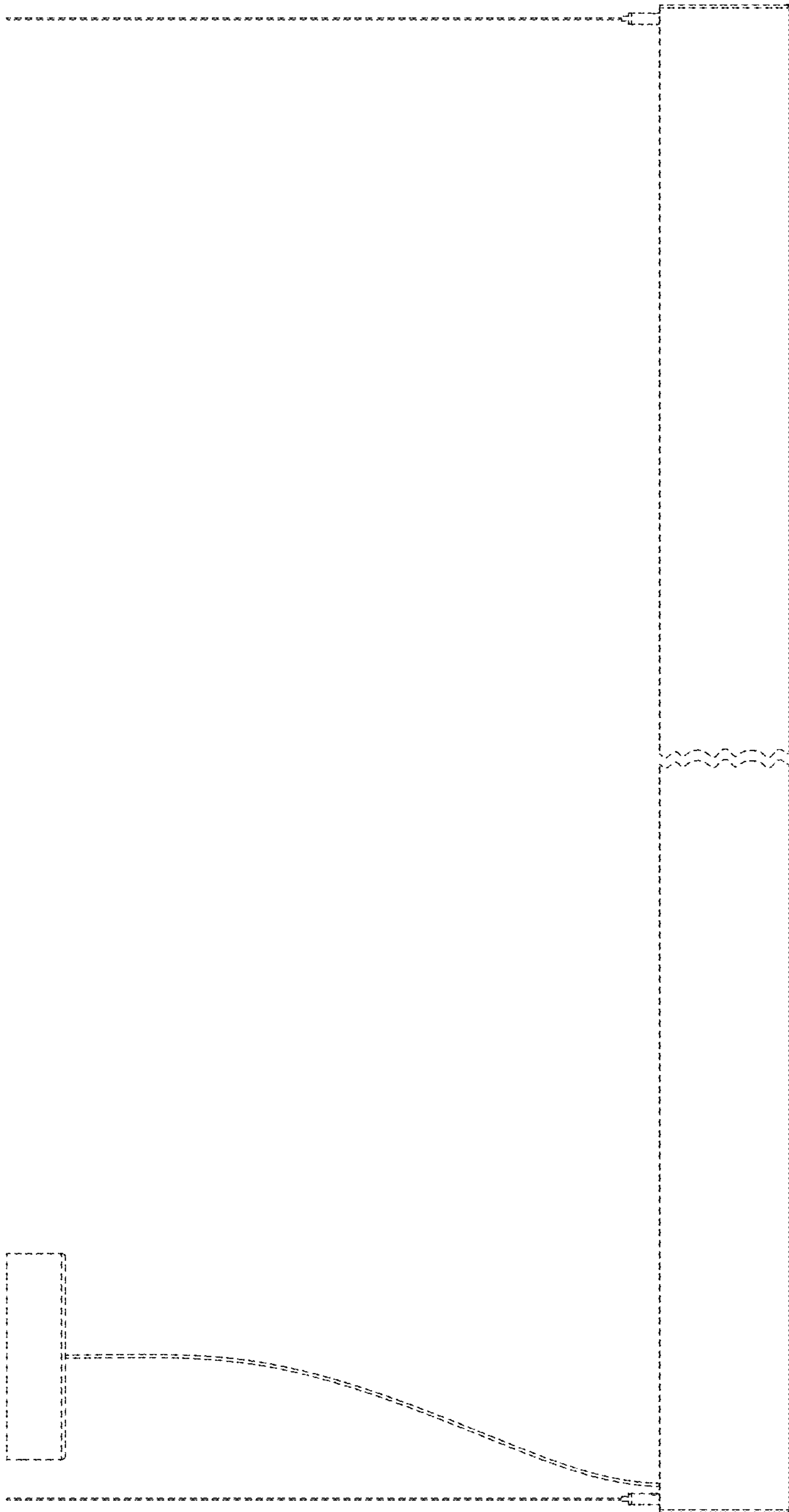


FIG. 12

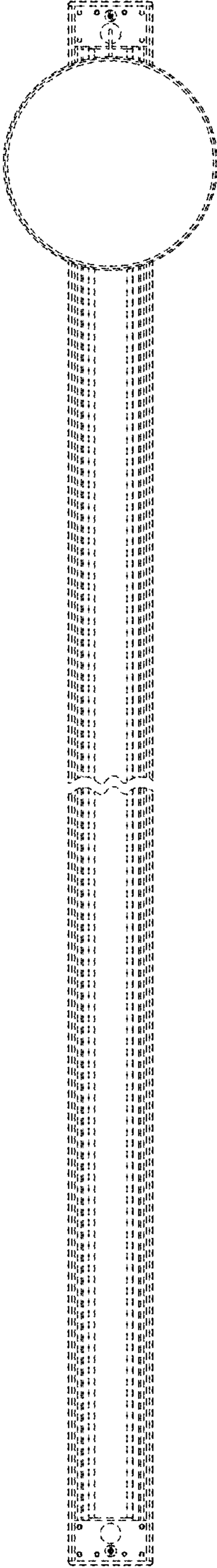


FIG. 13

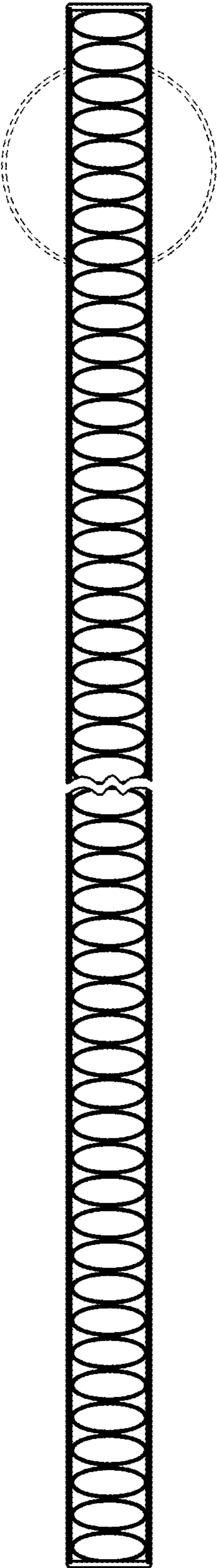


FIG. 14

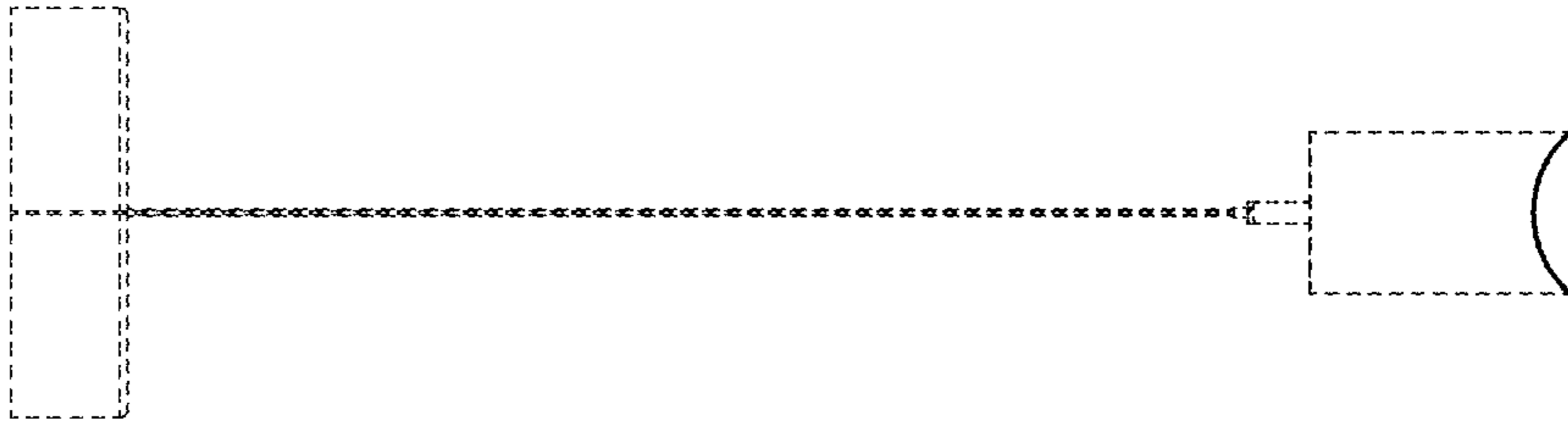


FIG. 15

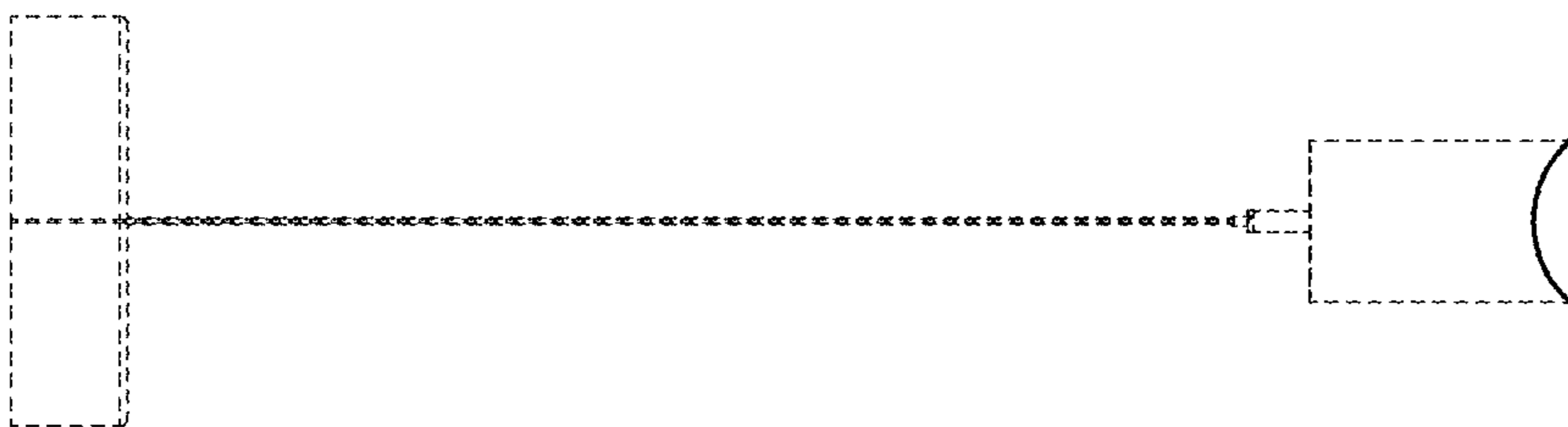


FIG. 16