



US00D969391S

(12) **United States Design Patent** (10) **Patent No.:** **US D969,391 S**  
**Li** (45) **Date of Patent:** **\*\* Nov. 8, 2022**

(54) **PROJECTION LAMP**  
(71) Applicant: **Xuequan Li**, Shenzhen (CN)  
(72) Inventor: **Xuequan Li**, Shenzhen (CN)  
(\*\*) Term: **15 Years**  
(21) Appl. No.: **29/833,953**  
(22) Filed: **Apr. 8, 2022**

D316,134 S \* 4/1991 Gianacacos ..... D21/637  
D331,819 S \* 12/1992 Kaburaki ..... D24/110.3  
D332,843 S \* 1/1993 Kaburaki ..... D24/110.3  
D476,159 S \* 6/2003 Blaustein ..... D4/107  
D518,531 S \* 4/2006 Vigliano ..... D21/637  
D558,956 S \* 1/2008 Pritchett ..... D2/878

(Continued)

**Related U.S. Application Data**

(63) Continuation of application No. 29/807,820, filed on Sep. 15, 2021.  
(51) **LOC (13) Cl.** ..... **26-05**  
(52) **U.S. Cl.**  
USPC ..... **D26/99**; D21/637  
(58) **Field of Classification Search**  
USPC ..... D2/739, 870, 878, 879, 882; D16/221, D16/232; D21/576, 585, 594, 659-661, D21/801, 803, 804; D26/25, 26, 32, 40, D26/47, 57, 67, 70, 73, 94, 96-99, 118, D26/125-126, 146, 147, 156; D29/102, D29/104-107  
CPC ..... F21V 3/02; F21S 8/035  
See application file for complete search history.

**FOREIGN PATENT DOCUMENTS**

CN 212325596 U \* 1/2021  
CN 215722694 U \* 2/2022  
CN 307425266 \* 6/2022

**OTHER PUBLICATIONS**

Resin Astronaut Ornament, first available Dec. 12, 2019, retrieved Aug. 1, 2022 from URL: <https://www.youtube.com/watch?v=eddeEPKXYGY> (Year: 2019).\*

(Continued)

*Primary Examiner* — Richard Kearney  
*Assistant Examiner* — Christina M. Dodson

(57) **CLAIM**

The ornamental design for a projection lamp, as shown and described.

**DESCRIPTION**

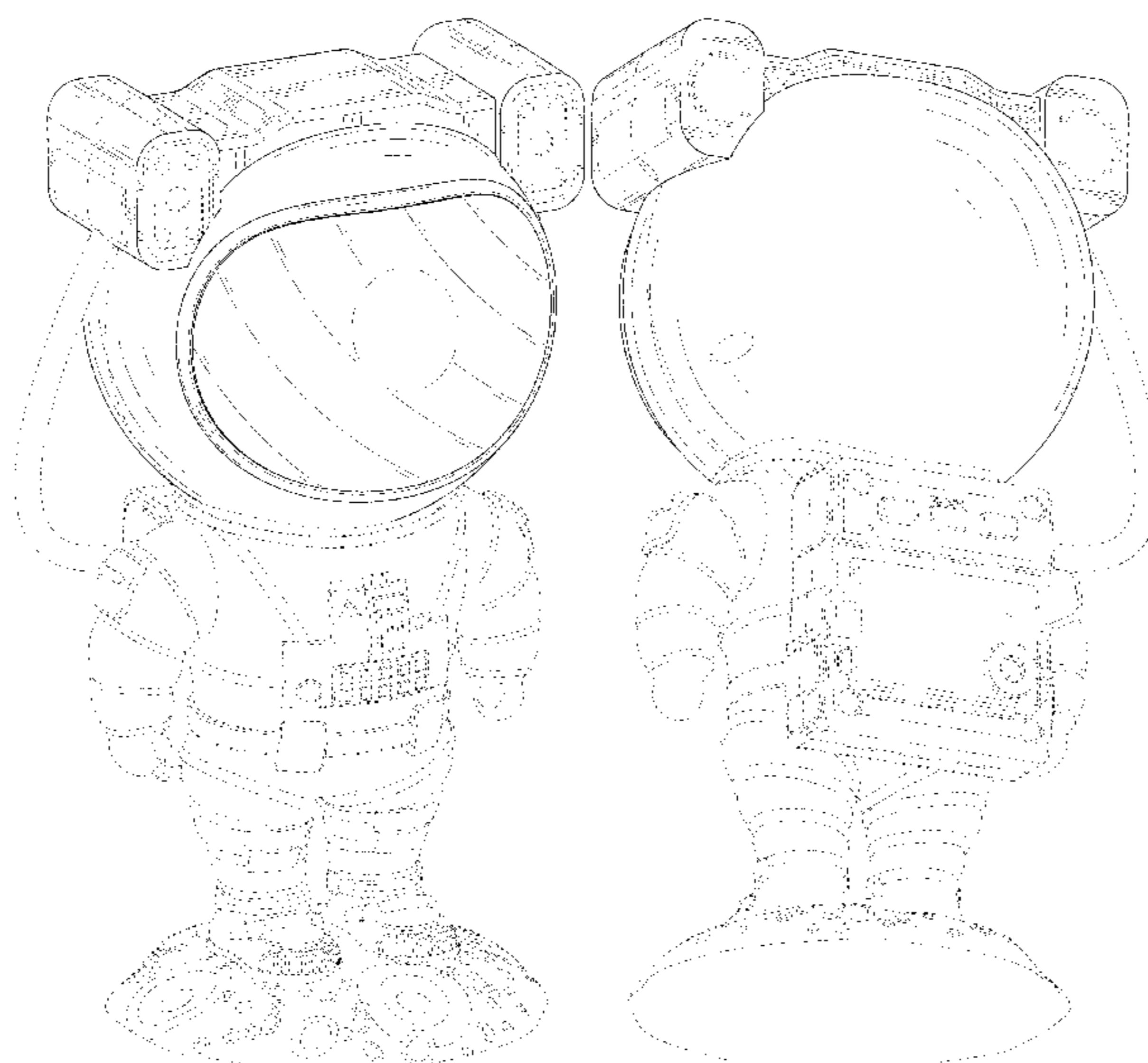
FIG. 1 is a perspective view of a projection lamp showing my new design;  
FIG. 2 is another perspective view thereof;  
FIG. 3 is a front elevational view thereof;  
FIG. 4 is a rear elevational view thereof;  
FIG. 5 is a left side elevational view thereof;  
FIG. 6 is a right side elevational view thereof;  
FIG. 7 is a top plan view thereof; and,  
FIG. 8 is a bottom plan view thereof.  
The broken lines in the drawings depict portions of the projection lamp that form no part of the claimed design.

**1 Claim, 8 Drawing Sheets**

(56) **References Cited**

**U.S. PATENT DOCUMENTS**

2,967,305 A \* 1/1961 Scott ..... A62B 17/00  
285/298  
3,034,131 A \* 5/1962 Lent ..... B64D 10/00  
600/20  
3,422,458 A \* 1/1969 Schueller ..... B64D 10/00  
2/2.14  
D214,862 S \* 8/1969 Jones ..... D24/110.3  
3,628,531 A \* 12/1971 Harris ..... A62B 17/00  
128/202.11  
D257,590 S \* 12/1980 Jackson ..... D21/637  
D261,073 S \* 10/1981 Spruill ..... D24/110.3  
D315,749 S \* 3/1991 Visco ..... D21/637



(56)

**References Cited**

U.S. PATENT DOCUMENTS

10,555,576 B2 \* 2/2020 Brust ..... A62B 17/003  
D908,320 S \* 1/2021 Sonntag ..... D2/878  
2018/0207453 A1 \* 7/2018 Barbeau ..... B32B 27/12

OTHER PUBLICATIONS

Clesea Kids Star Projector Night Light with Timer, first available Aug. 13, 2021, retrieved on Aug. 1, 2022 from URL: [https://www.amazon.com/Projector-Control-360%C2%B0Adjustable-Astronaut-Children/dp/B09CKZPJFV/ref=sr\\_1\\_1?keywords=chelsea&qid=1659356658&sr=8-1](https://www.amazon.com/Projector-Control-360%C2%B0Adjustable-Astronaut-Children/dp/B09CKZPJFV/ref=sr_1_1?keywords=chelsea&qid=1659356658&sr=8-1) (Year: 2021).\*

\* cited by examiner

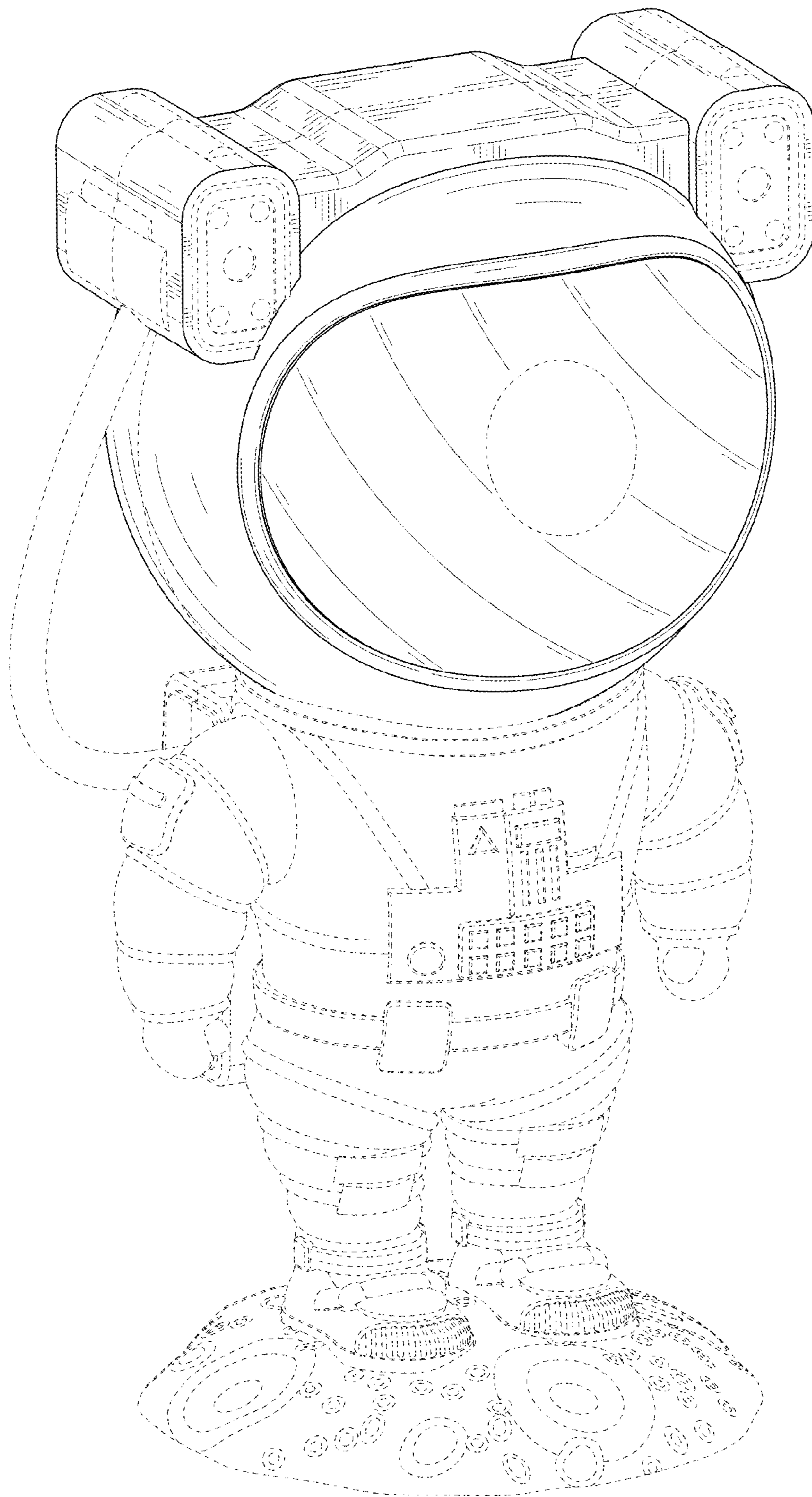


FIG. 1

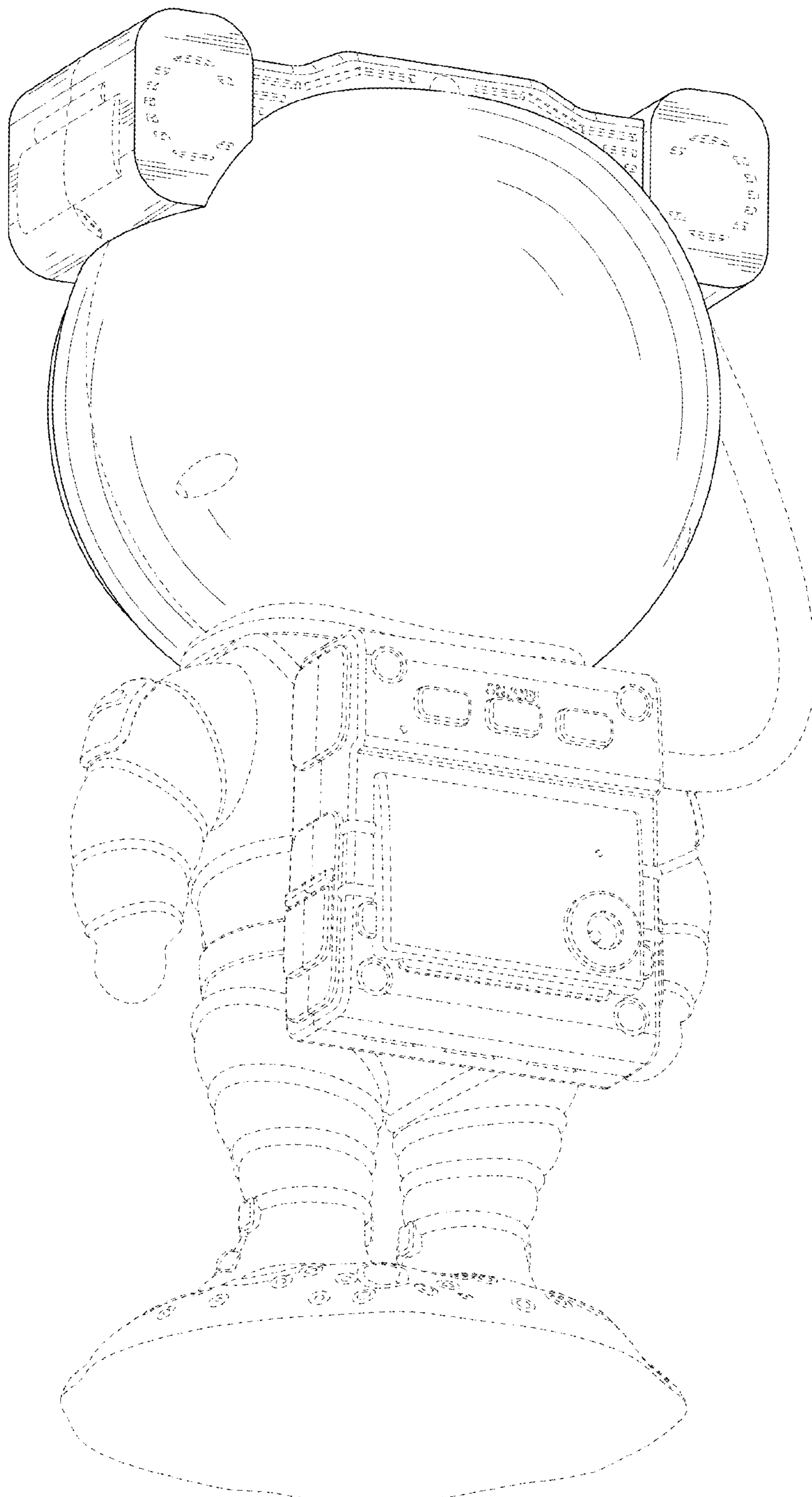


FIG. 2

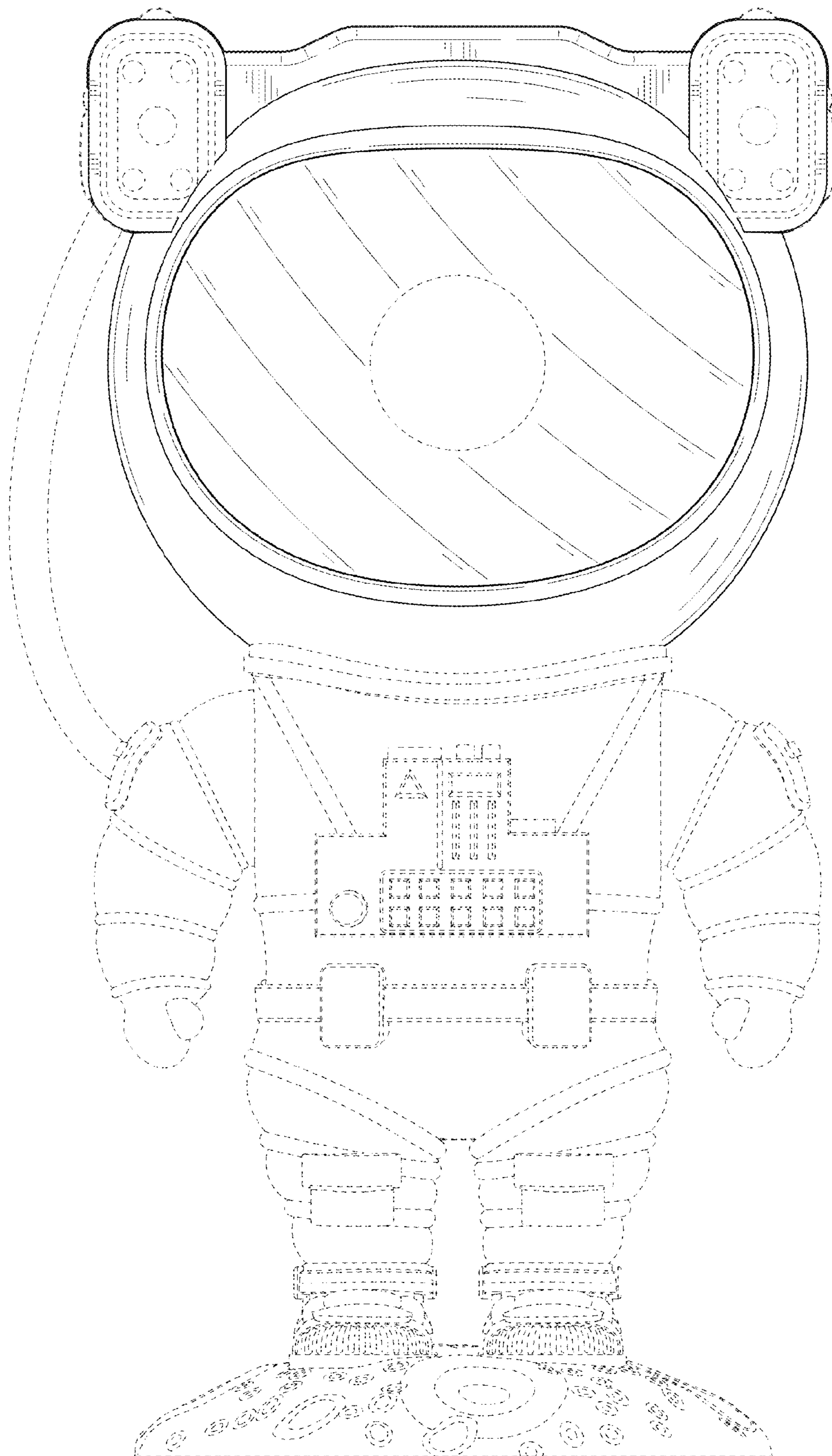


FIG. 3

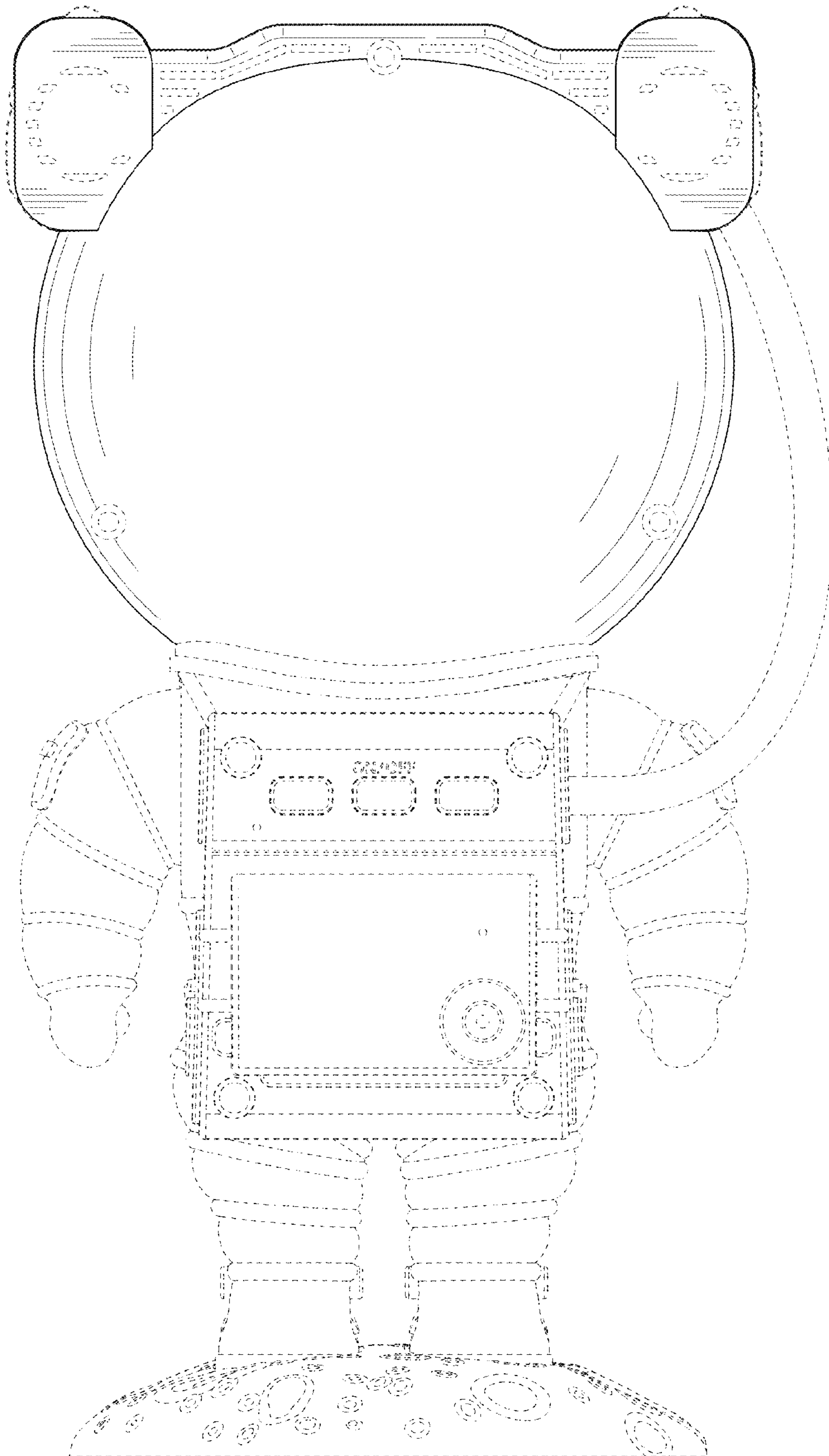


FIG. 4

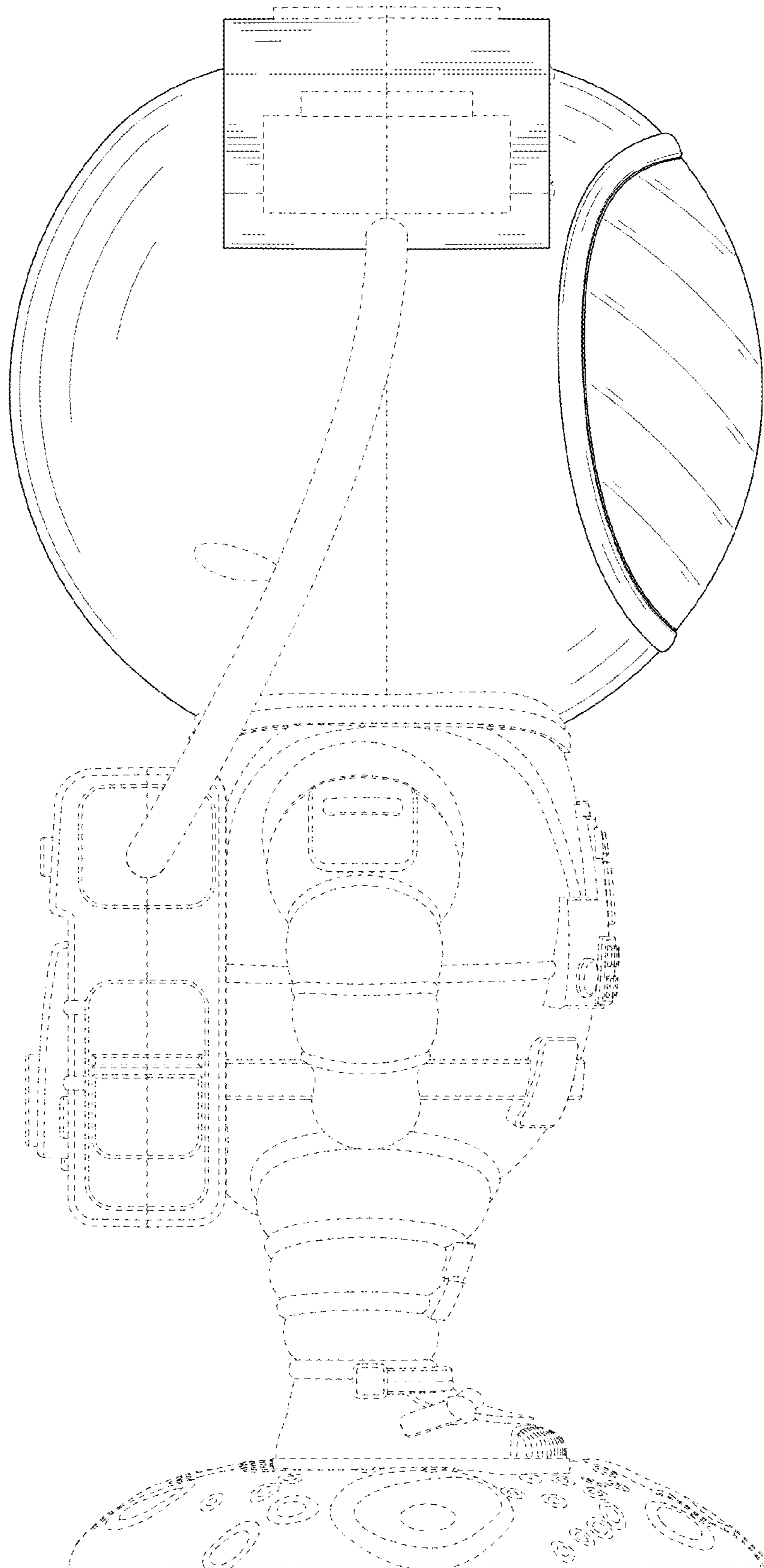


FIG. 5

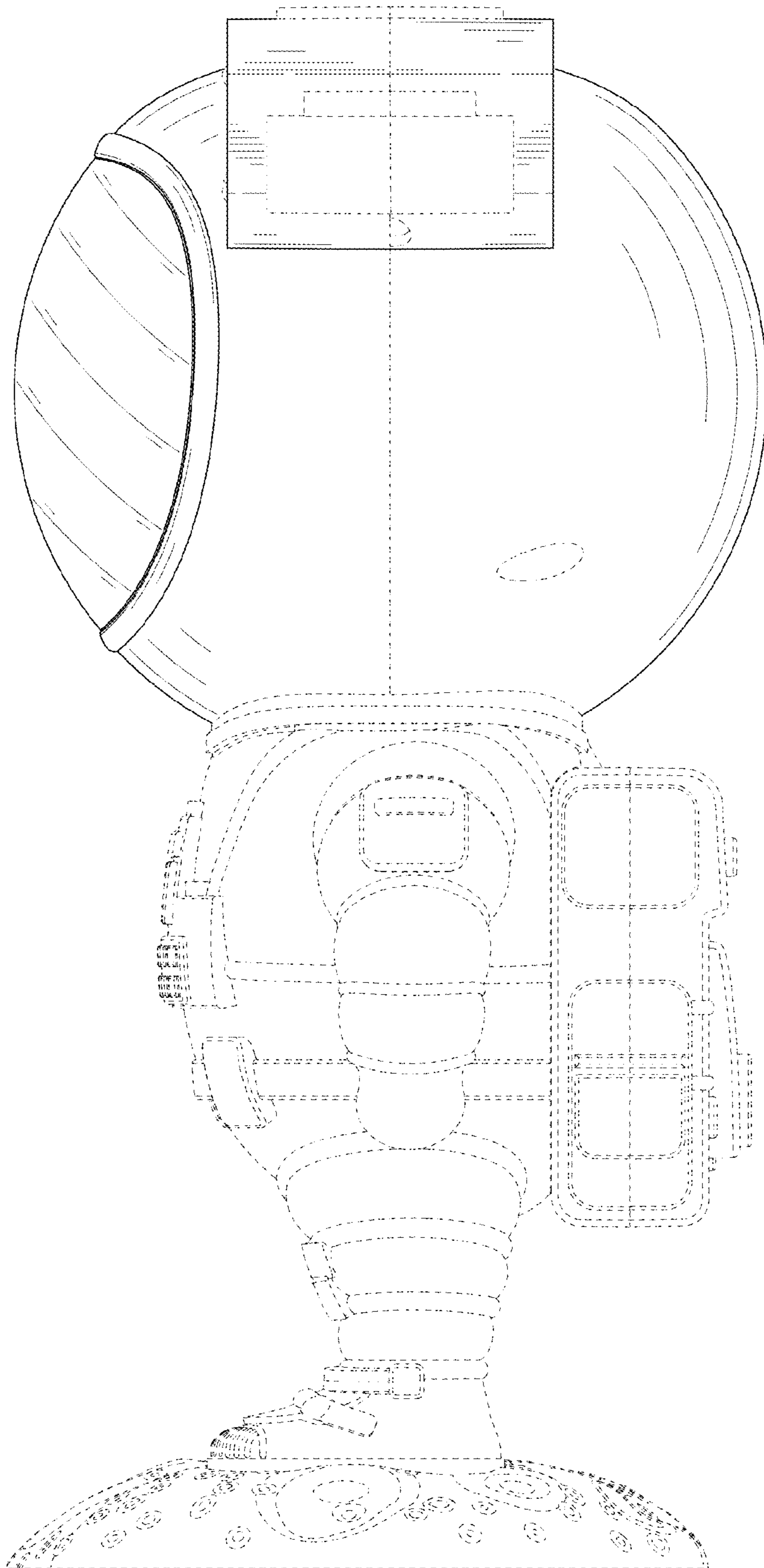


FIG. 6



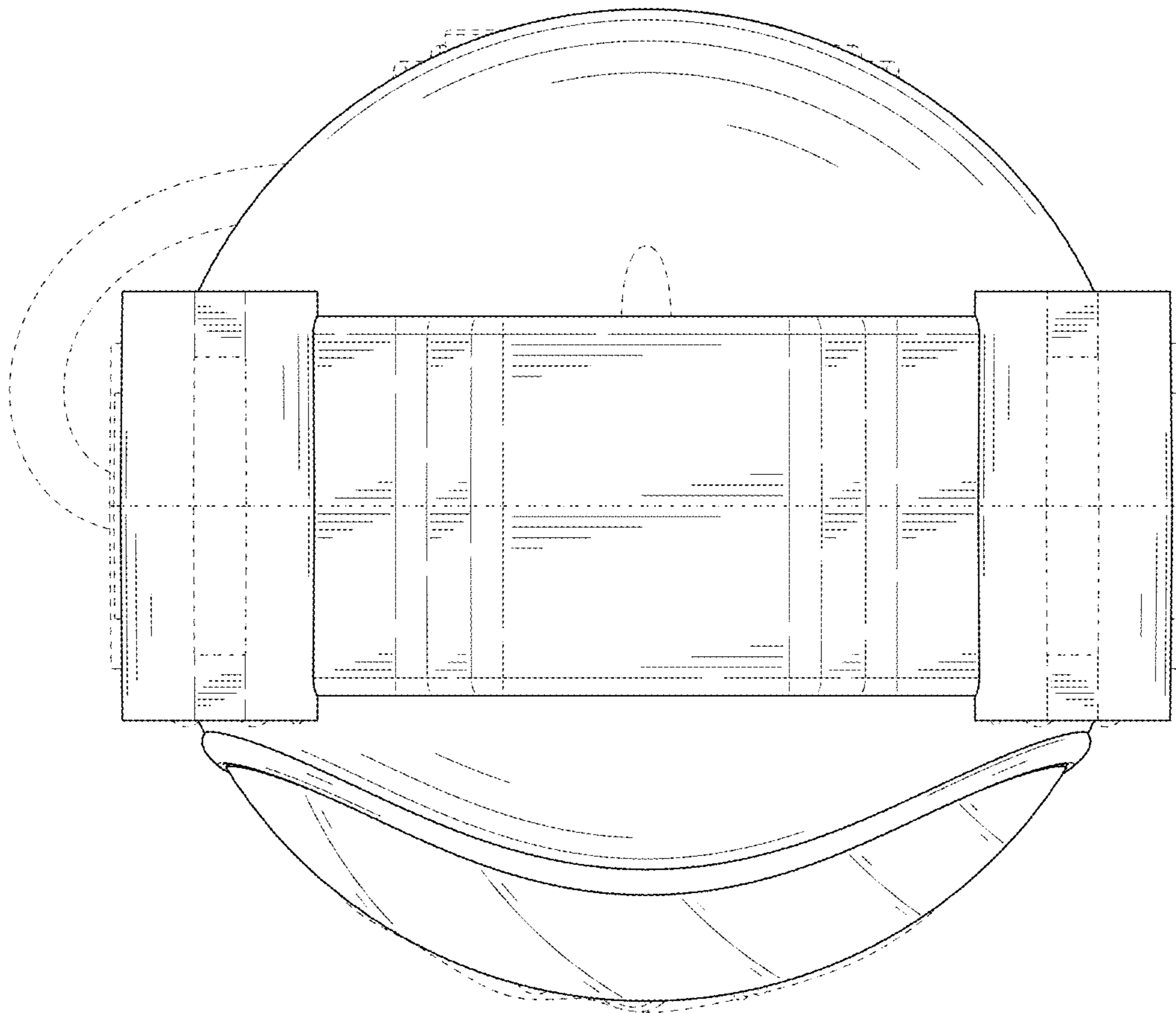


FIG. 7

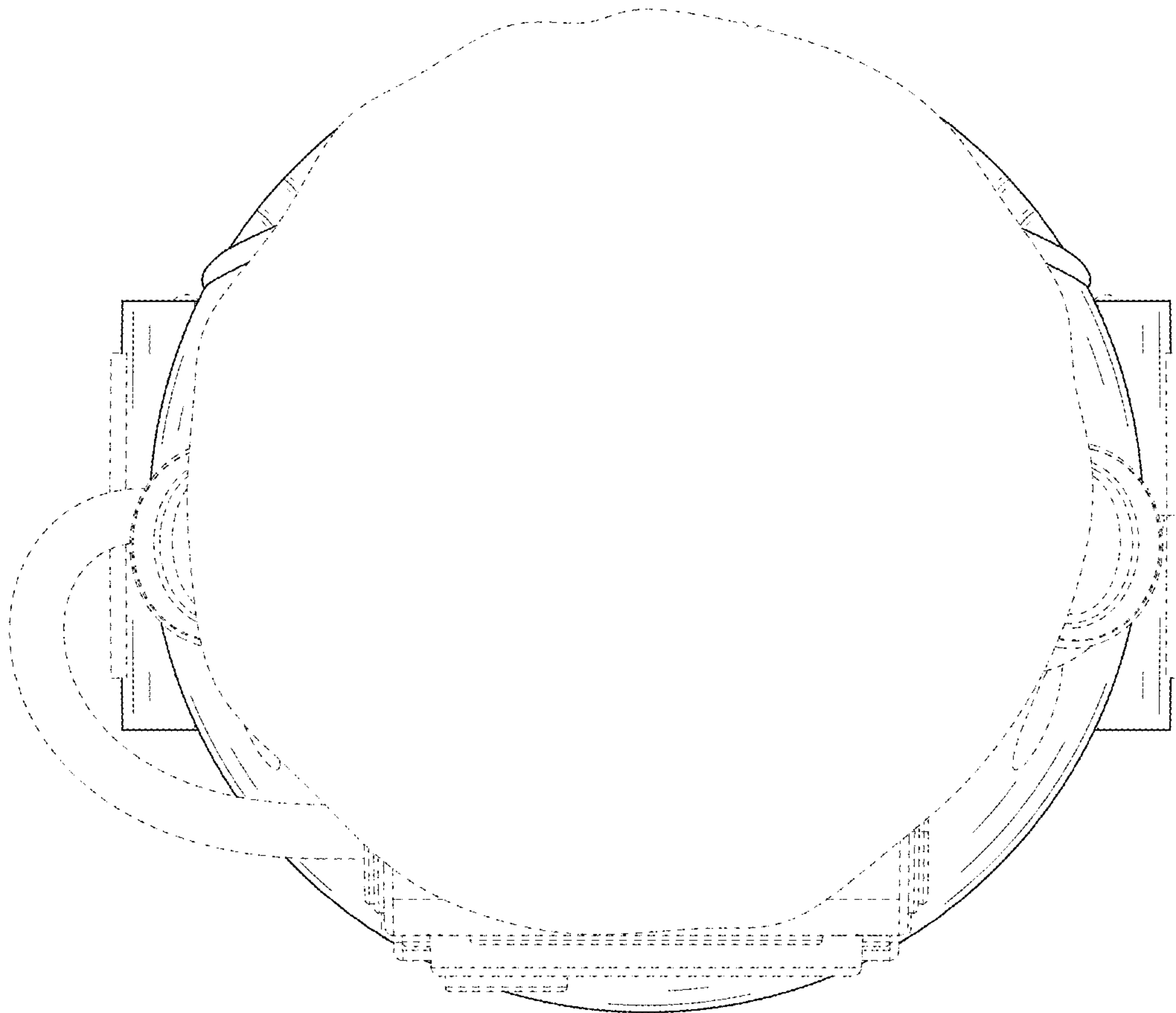


FIG. 8