



US00D969390S

(12) **United States Design Patent** (10) **Patent No.:** **US D969,390 S**
Xu (45) **Date of Patent:** **** Nov. 8, 2022**

(54) **LAMP**

(71) Applicant: **Jiaojiao Xu**, Chizhou (CN)

(72) Inventor: **Jiaojiao Xu**, Chizhou (CN)

(**) Term: **15 Years**

(21) Appl. No.: **29/744,955**

(22) Filed: **Aug. 3, 2020**

(51) **LOC (13) Cl.** **26-05**

(52) **U.S. Cl.**
USPC **D26/90**

(58) **Field of Classification Search**

USPC D26/80-86, 88-91

CPC F21S 8/06; F21S 8/061; F21S 8/063; F21S 8/065; F21S 8/066; F21S 8/068

See application file for complete search history.

(56) **References Cited**

U.S. PATENT DOCUMENTS

D523,989 S	*	6/2006	Bayer	D26/154
D554,285 S	*	10/2007	Schuyler	D26/154
D556,937 S	*	12/2007	Ly	D26/88
D574,545 S	*	8/2008	Baldele	D26/88
D580,089 S	*	11/2008	Ly	D26/88
D622,437 S	*	8/2010	Crosby	D26/88
D639,487 S	*	6/2011	Baylar	D26/88
D649,278 S	*	11/2011	Sabernig	D26/90
D653,378 S	*	1/2012	Friedman	D26/86
D657,493 S	*	4/2012	Groves	D26/154
D704,882 S	*	5/2014	Wanders	D26/88
D712,585 S	*	9/2014	Bassetti	D26/90
D776,856 S	*	1/2017	Arbel	D26/88
D794,862 S	*	8/2017	Baylar	D26/88
D826,462 S	*	8/2018	Sonneman	D26/90
D898,272 S	*	10/2020	Huang	D26/122
D921,959 S	*	6/2021	Pozzi	D26/88
D922,653 S	*	6/2021	Giopato	D26/81
D923,234 S	*	6/2021	MacAllen	D26/90
D924,463 S	*	7/2021	Giopato	D26/90

OTHER PUBLICATIONS

TBHOME, Modern Rectangular Crystal Chandelier. First available unknown. Searched on Jun. 24, 2022. [https://www.amazon.com/TBHOME-Rectangular-Chandelier-Living-Silver-100x12cm/dp/B0B2QSLYBD/] (Year: 2022).*

(Continued)

Primary Examiner — Samantha Q Lawrence

Assistant Examiner — Melissa Adriane Santos

(57) **CLAIM**

The ornamental design for a lamp, as shown and described.

DESCRIPTION

FIG. 1 is a front and top perspective view of a lamp, showing my new design;

FIG. 2 is a rear and bottom perspective view thereof;

FIG. 3 is a front elevational view thereof;

FIG. 4 is a rear elevational view thereof;

FIG. 5 is a left side elevational view thereof;

FIG. 6 is a right side elevational view thereof;

FIG. 7 is a top plan view thereof;

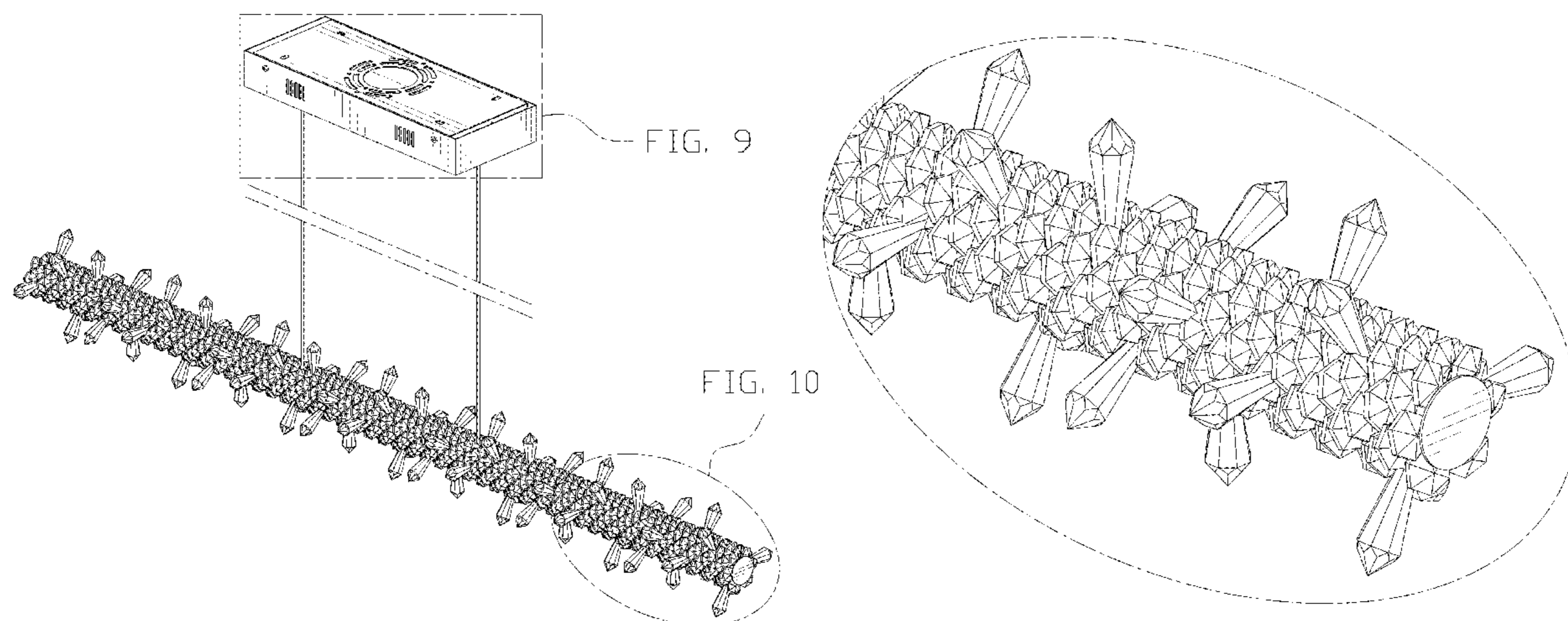
FIG. 8 is a bottom plan view thereof;

FIG. 9 is an enlarged view of a portion labeled, 'FIG. 9' in FIG. 1; and,

FIG. 10 is an enlarged view of a portion labeled, 'FIG. 10' in FIG. 1.

The dashed broken lines in the figures illustrate portions of the lamp that form no part of the claimed design. The dash dot dash lines in FIGS. 1, 9 and 10 are for the purpose of depicting the cut line of the enlarged view and form no part of the claim. The lamp is shown with a symbolic break in its length. The appearance of any portion of the article between the break lines forms no part of the claimed design.

1 Claim, 10 Drawing Sheets



(56)

References Cited

OTHER PUBLICATIONS

Eurofase, Sassi Light Pendant. First available unknown. Searched on Jun. 24, 2022. [https://www.lampsplus.com/products/eurofase-sassi-37-inchw-chrome-led-kitchen-island-light-pendant_47n23.html] (Year: 2022).*

Allegrì by Kalco Lighting, Lina Pendant. First available unknown. Searched on Jun. 24, 2022. [https://www.lampsplus.com/products/lina-38-inchw-polished-chrome-led-kitchen-island-light-pendant_61c18.html] (Year: 2022).*

Youlaike, Luxury Crystal Chandelier. First available unknown. Searched on Jun. 24, 2022. [<https://www.aliexpress.com/i/2255800973485253.html?gatewayAdapt=4itemAdapt>] (Year: 2022).*

* cited by examiner

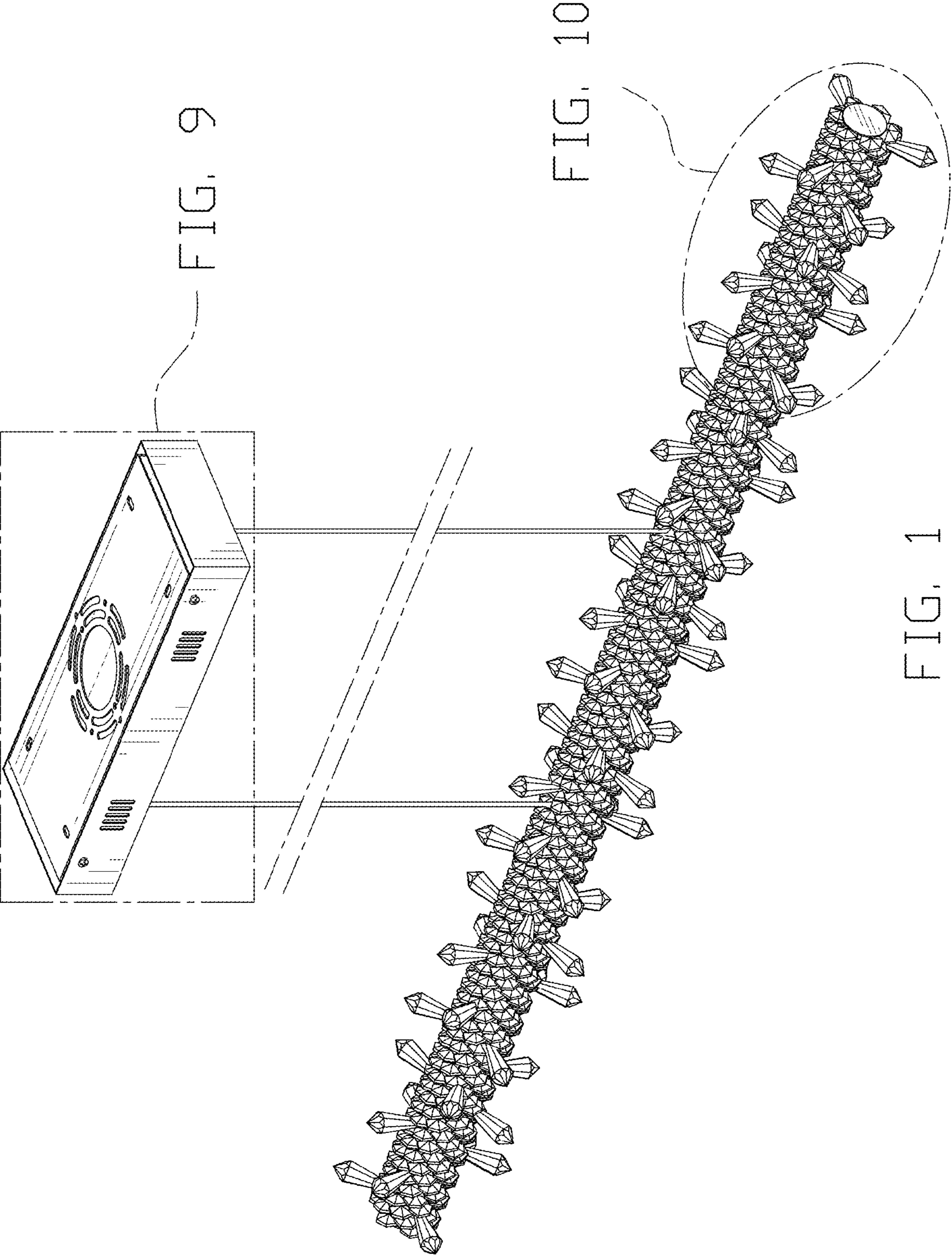


FIG. 9

FIG. 10

FIG. 1

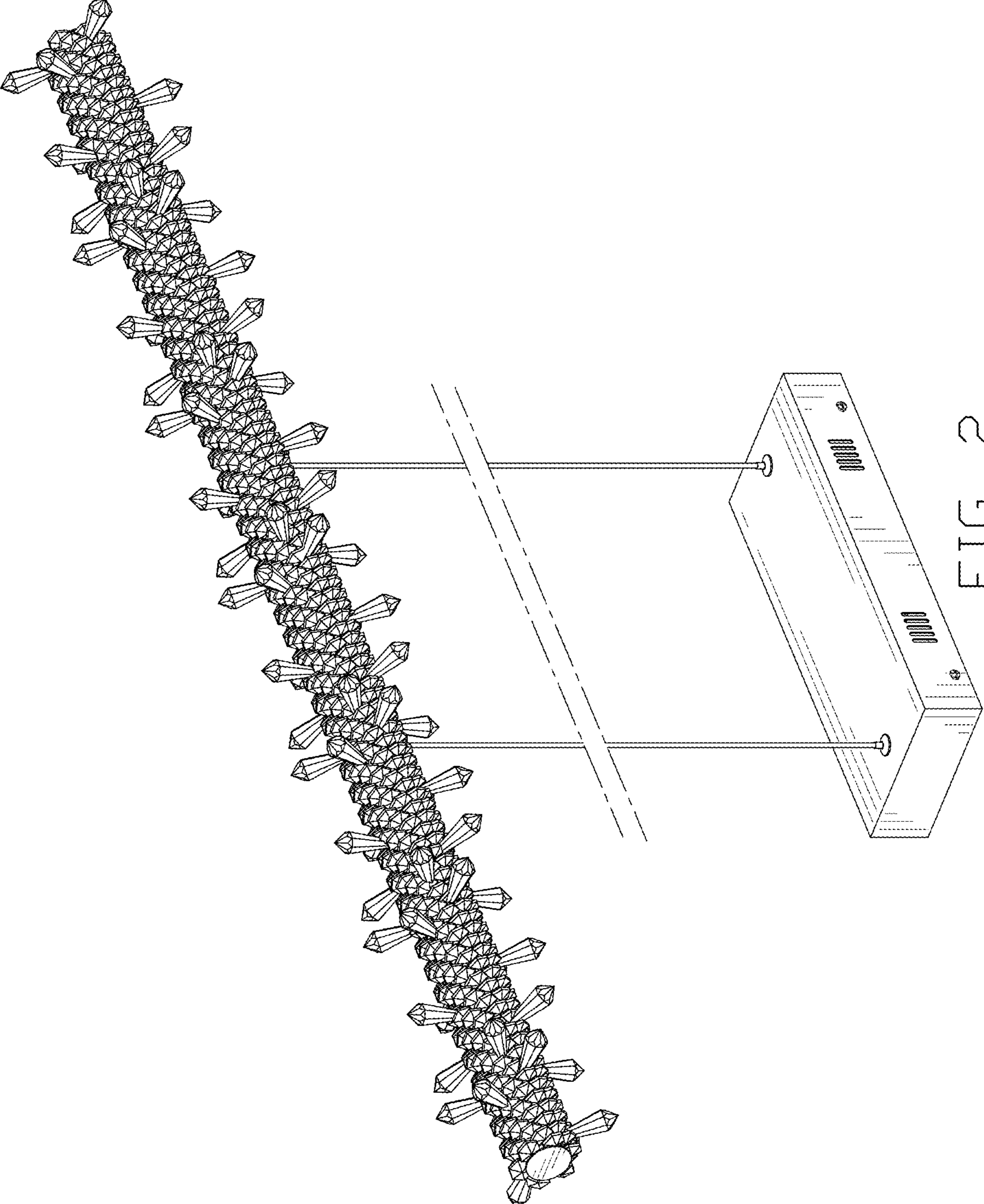


FIG. 2

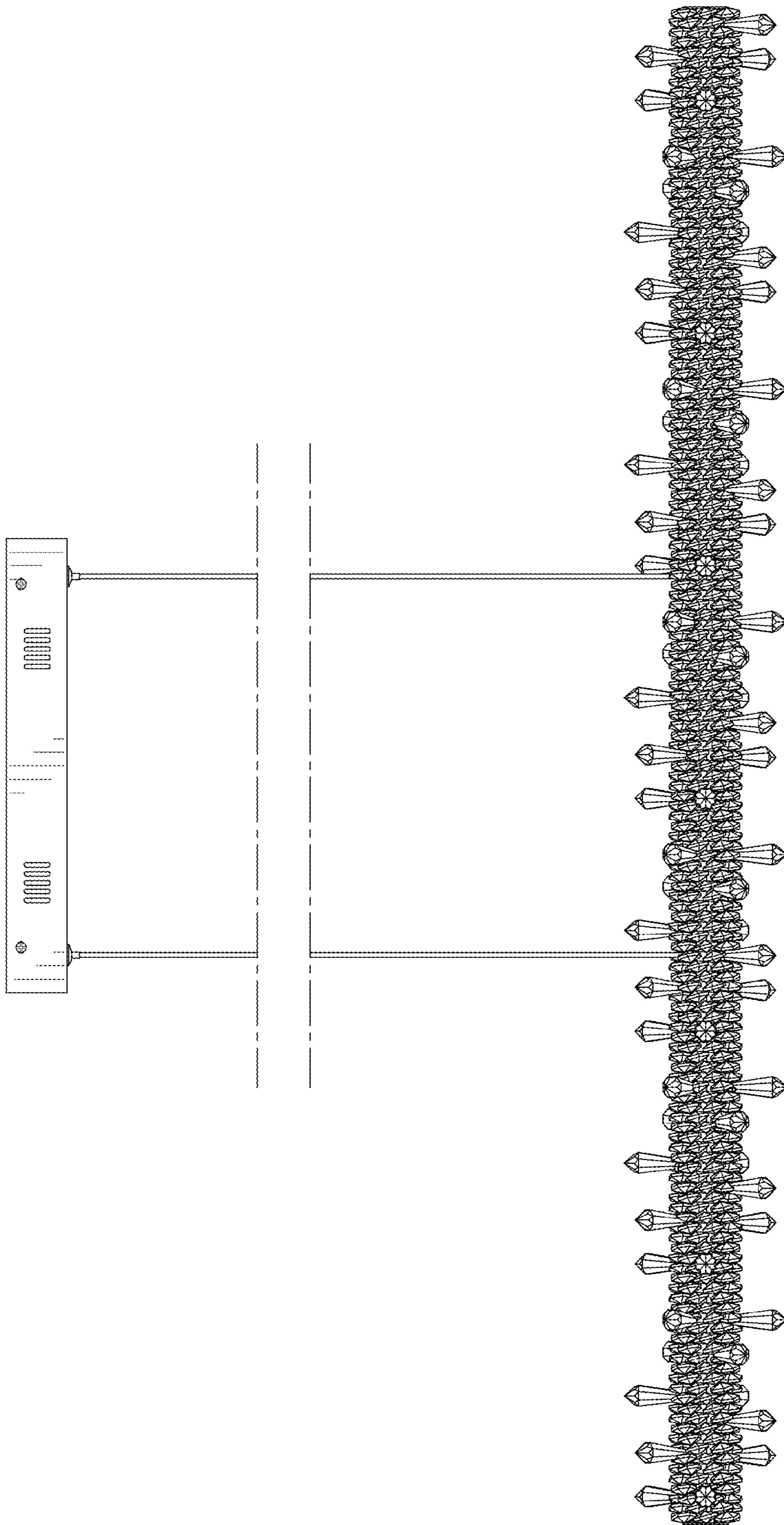


FIG. 3

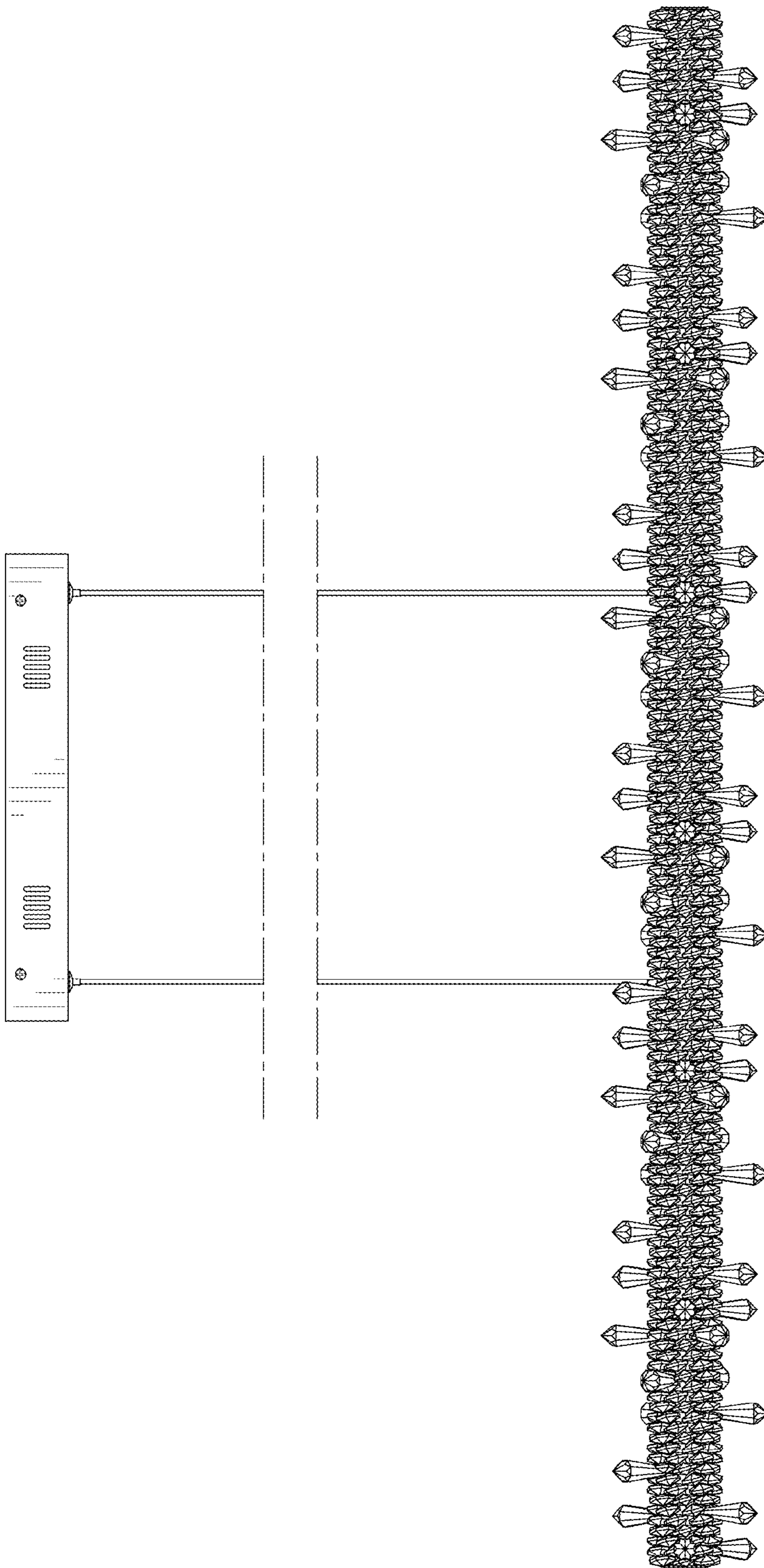


FIG. 4

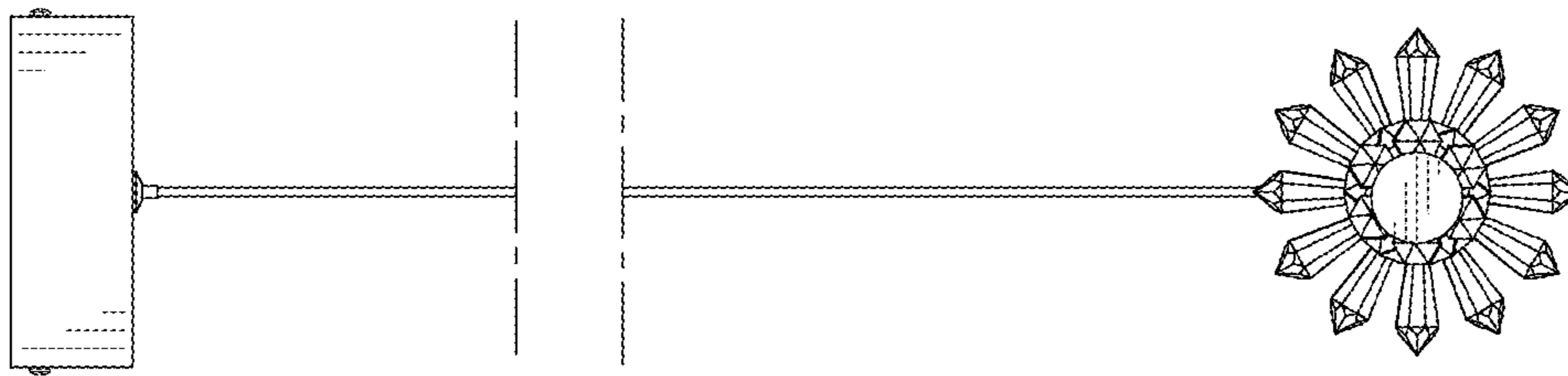


FIG. 5

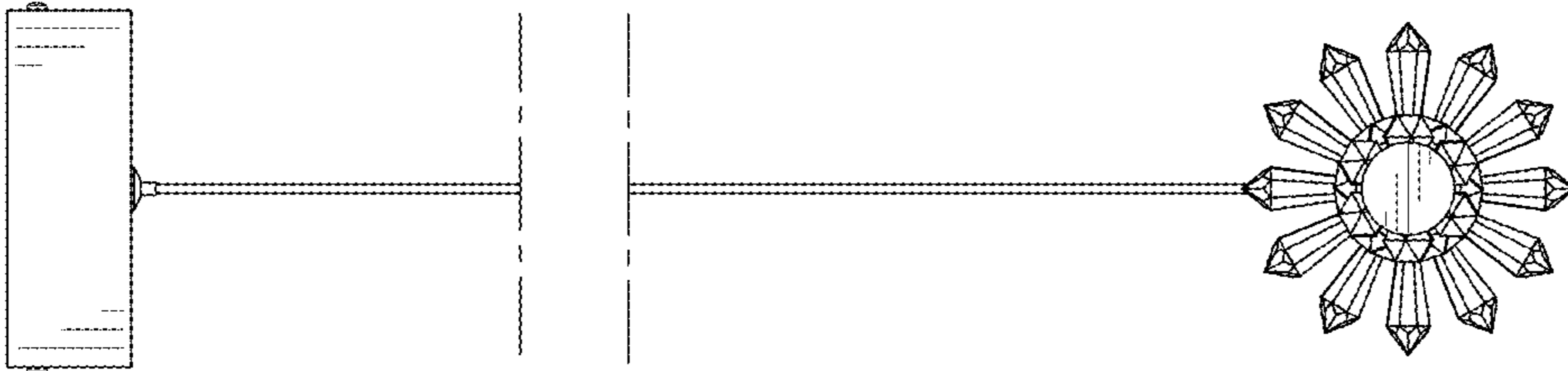


FIG. 6

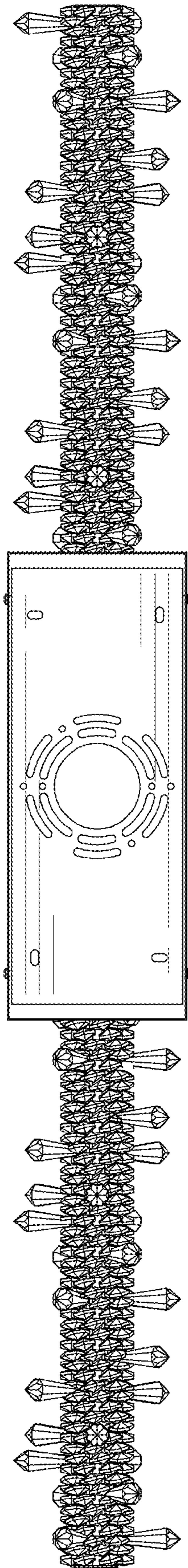


FIG. 7

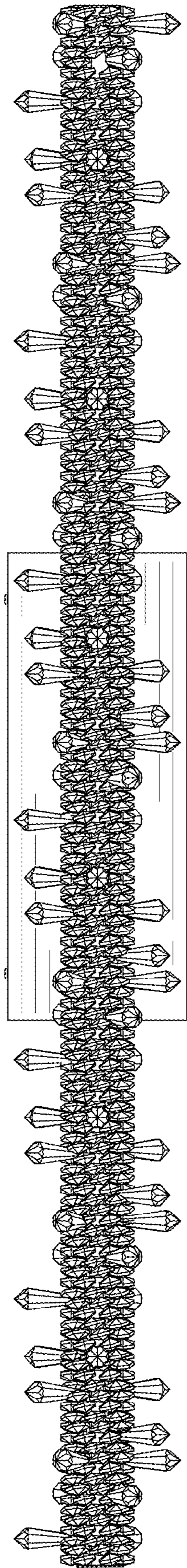


FIG. 8

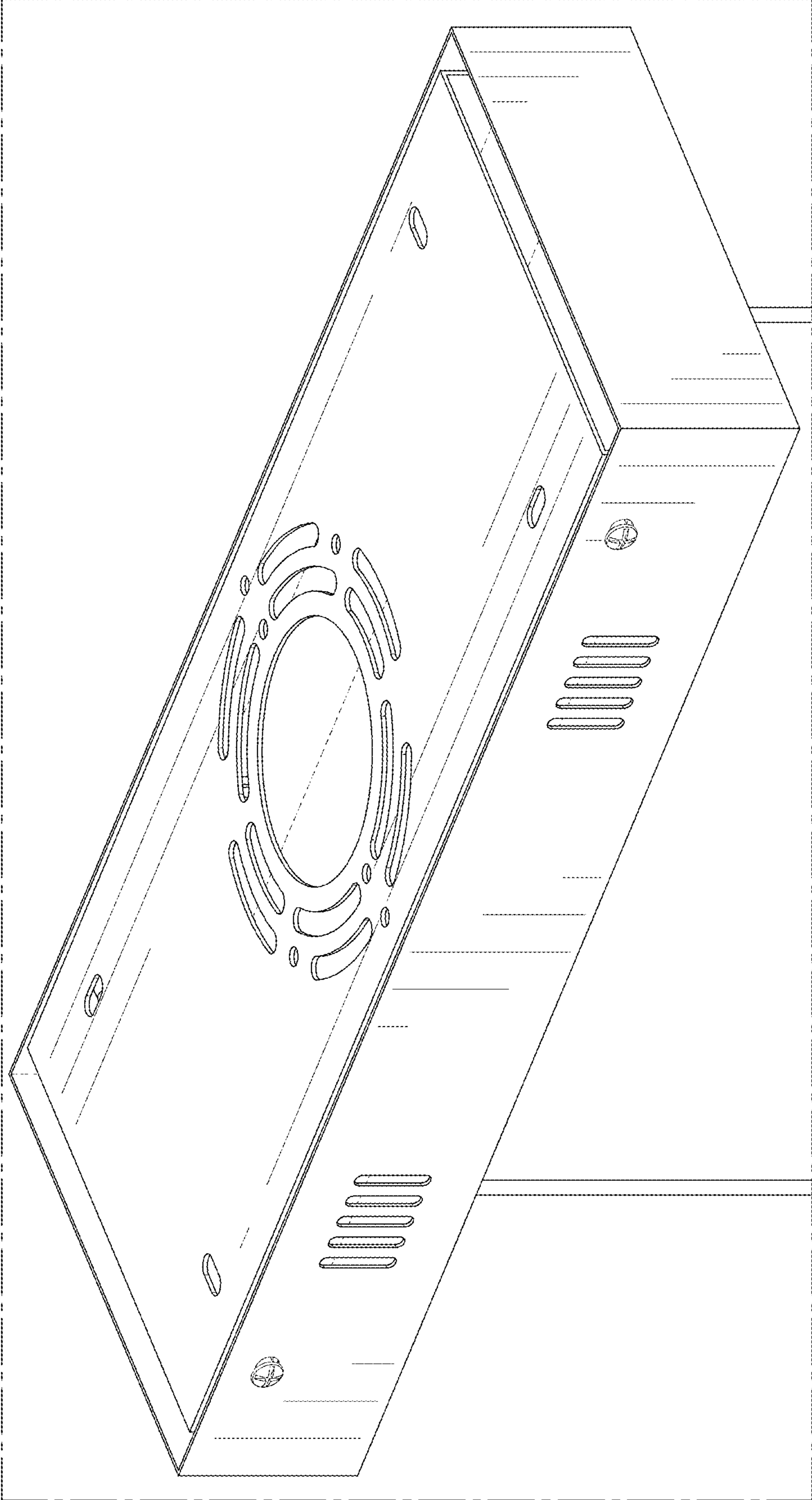


FIG. 9

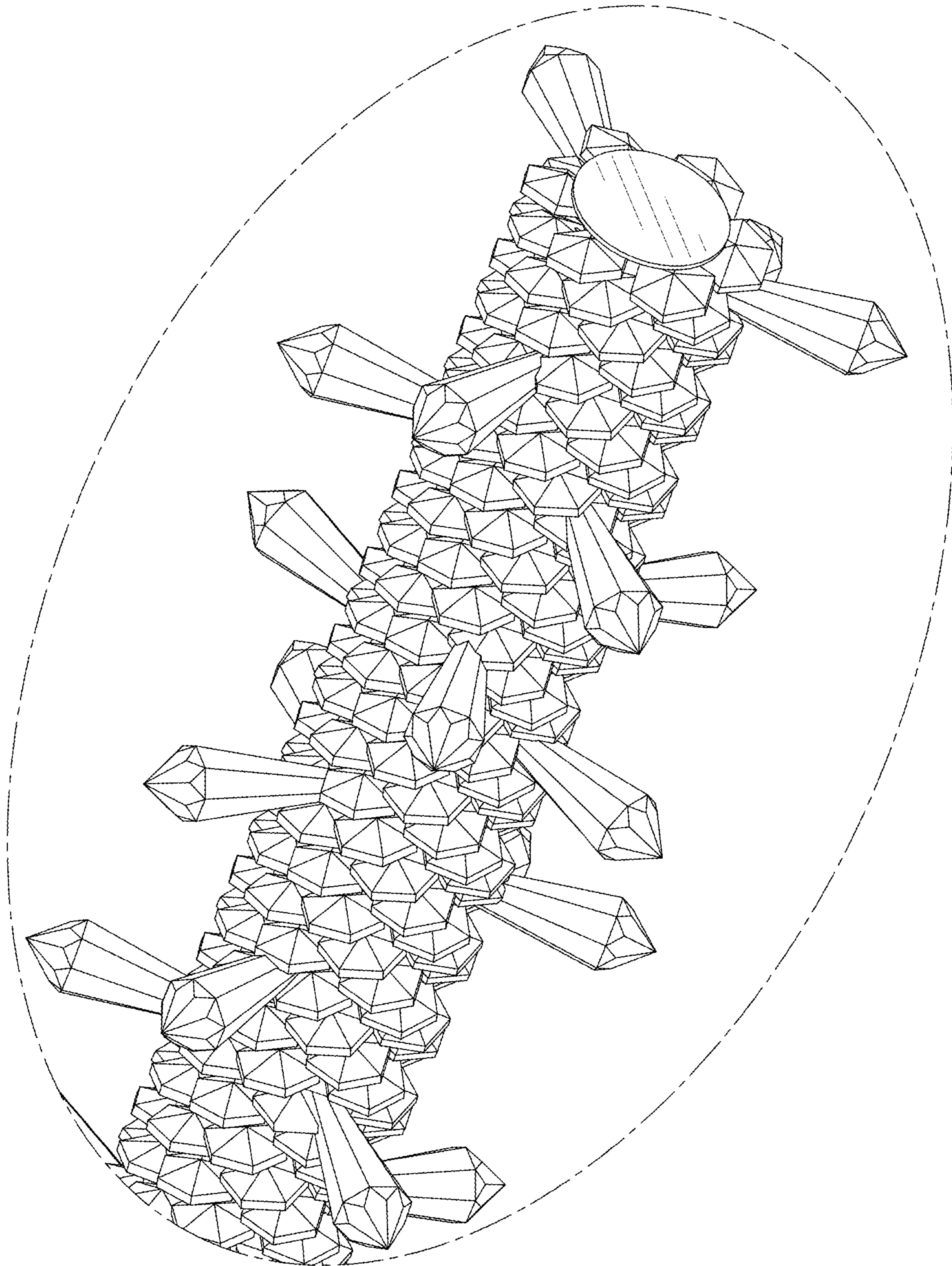


FIG. 10