



US00D969389S

(12) **United States Design Patent** (10) **Patent No.:** **US D969,389 S**  
**Cornelissen et al.** (45) **Date of Patent:** **\*\* Nov. 8, 2022**

(54) **LUMINAIRE**  
(71) Applicant: **Beta-Calco Inc.**, Toronto (CA)  
(72) Inventors: **Serge C. R. H. Cornelissen**, Kortrijk-Marke (BE); **Bryson Lea**, Toronto (CA); **Remy Silver**, Toronto (CA)  
(73) Assignee: **Beta-Calco Inc.**, Toronto (CA)  
(\*\*) Term: **15 Years**  
(21) Appl. No.: **29/717,989**  
(22) Filed: **Dec. 20, 2019**  
(51) **LOC (13) Cl.** ..... **26-05**  
(52) **U.S. Cl.**  
USPC ..... **D26/90**  
(58) **Field of Classification Search**  
USPC ..... D26/24, 71, 72, 76, 78, 80-87, 90, 92, D26/113, 118, 120, 138, 145, 155  
CPC .... F21S 8/00; F21S 8/033; F21S 8/036; F21S 8/061; F21S 8/063; F21S 8/068; F21S 8/085; F21S 8/086; F21W 2131/103; F21W 2131/105; F21W 2131/107; G02B 6/24; G02B 6/0001  
See application file for complete search history.

(56) **References Cited**  
**U.S. PATENT DOCUMENTS**  
D232,257 S \* 7/1974 Paulson ..... D26/80  
D348,947 S \* 7/1994 Holcomb ..... D26/76  
D504,190 S \* 4/2005 Keller ..... D26/76  
D536,819 S \* 2/2007 Krahe, II ..... D26/75  
D621,989 S \* 8/2010 Proner ..... D26/76  
D624,229 S \* 9/2010 Adolph ..... D26/76  
(Continued)

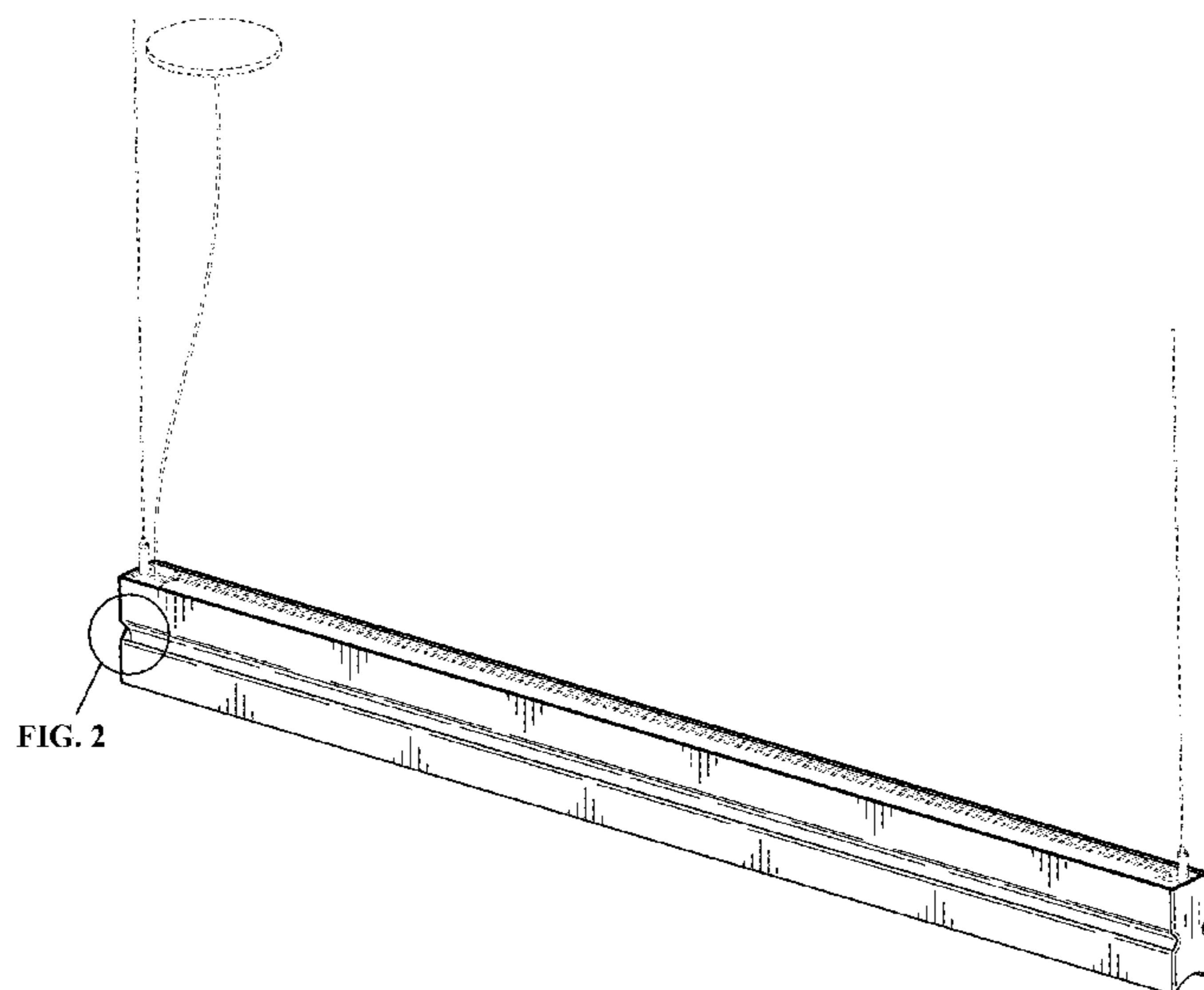
**FOREIGN PATENT DOCUMENTS**  
GB 9007991898-0001 \* 6/2020

*Primary Examiner* — Richard Kearney  
(74) *Attorney, Agent, or Firm* — Renner, Otto, Boisselle & Sklar, LLP

(57) **CLAIM**  
The ornamental design for a luminaire, as shown and described.

**DESCRIPTION**  
FIG. 1 is a top perspective view of a luminaire showing a first variant of the design;  
FIG. 2 is an enlarged fragmentary view of the portion indicated in FIG. 1;  
FIG. 3 is a bottom perspective view of the luminaire of FIG. 1;  
FIG. 4 is a rear view thereof;  
FIG. 5 is a front view thereof;  
FIG. 6 is a top view thereof;  
FIG. 7 is a bottom view thereof;  
FIG. 8 is a left side view thereof;  
FIG. 9 is a right side view thereof;  
FIG. 10 is a top perspective view of a luminaire showing a second variant of the design;  
FIG. 11 is an enlarged fragmentary view of the portion indicated in FIG. 10;  
FIG. 12 is a bottom perspective view of the luminaire of FIG. 10;  
FIG. 13 is a rear view thereof;  
FIG. 14 is a front view thereof;  
FIG. 15 is a top view thereof;  
FIG. 16 is a bottom view thereof;  
FIG. 17 is a left side view thereof; and,  
FIG. 18 is a right side view thereof.  
The broken lines shown in the drawings illustrate environmental subject matter and form on part of the claimed design.  
The luminaire is shown with symbolic break lines in its length. The appearance of any portion of the article between the break lines forms no part of the claimed design.

**1 Claim, 12 Drawing Sheets**



(56)

**References Cited**

U.S. PATENT DOCUMENTS

D740,479 S	*	10/2015	Beno .....	D26/90
D780,975 S	*	3/2017	Lockart .....	D26/76
D784,994 S	*	4/2017	Fujiuchi .....	D14/453
D785,627 S	*	5/2017	Fujiuchi .....	D14/420
D785,630 S	*	5/2017	Fujiuchi .....	D14/453
D789,588 S	*	6/2017	Lonsdale .....	D26/76
D830,605 S	*	10/2018	Watt .....	D26/76
D919,156 S	*	5/2021	Mier-Langner .....	D26/138
D943,798 S	*	2/2022	Santos .....	D26/90
D946,200 S	*	3/2022	Gorman .....	D26/141

\* cited by examiner

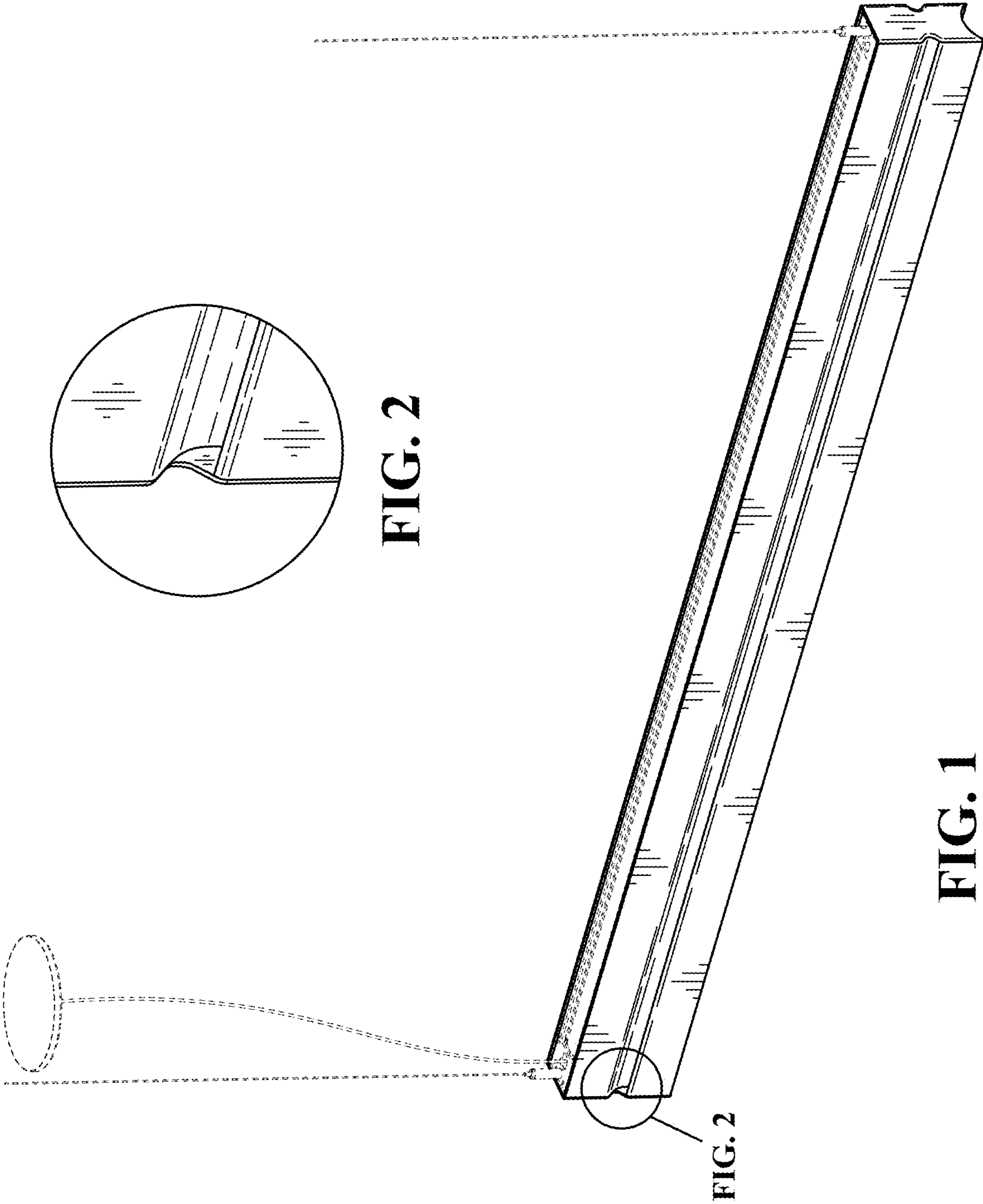


FIG. 2

FIG. 1

FIG. 2

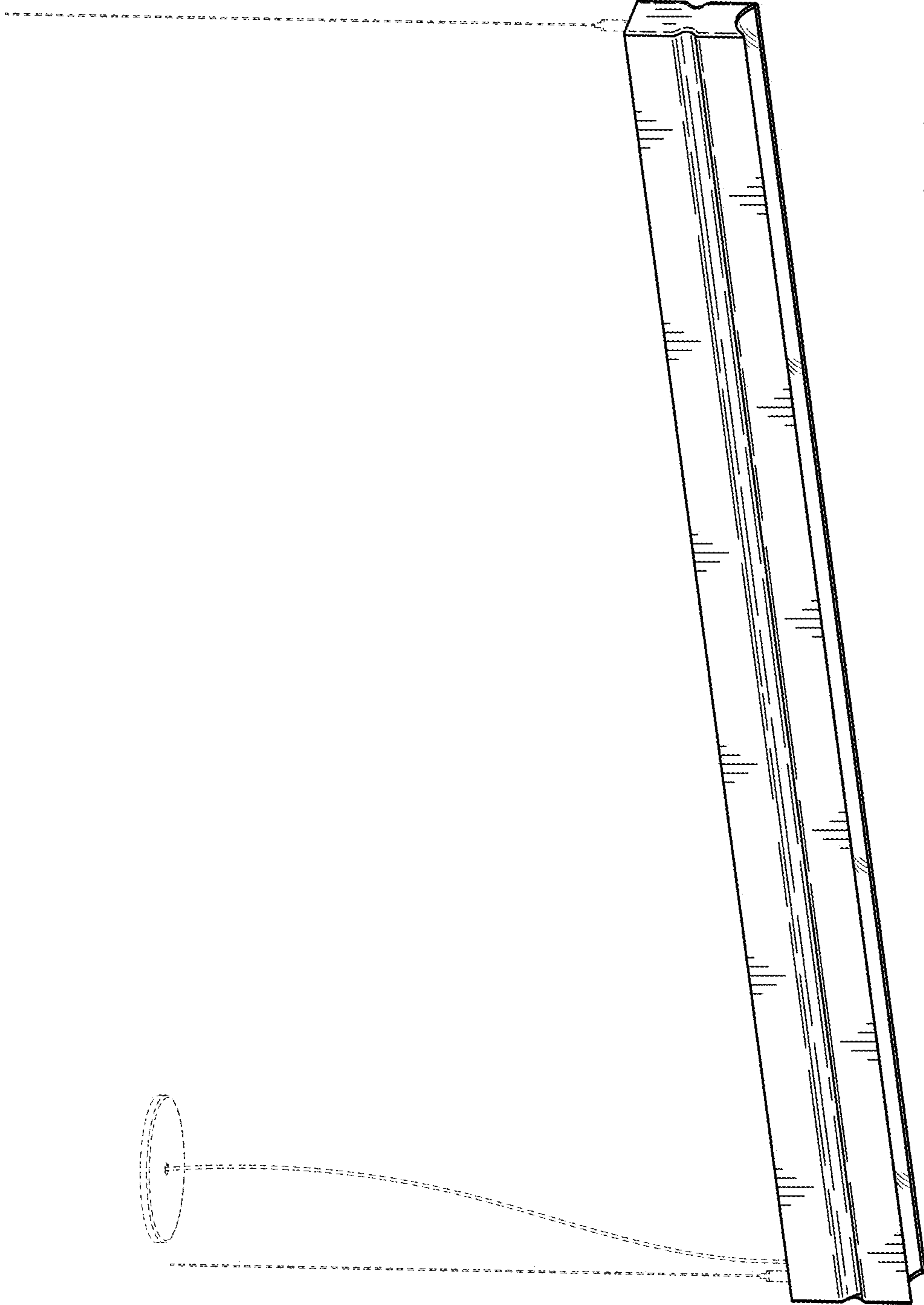


FIG. 3

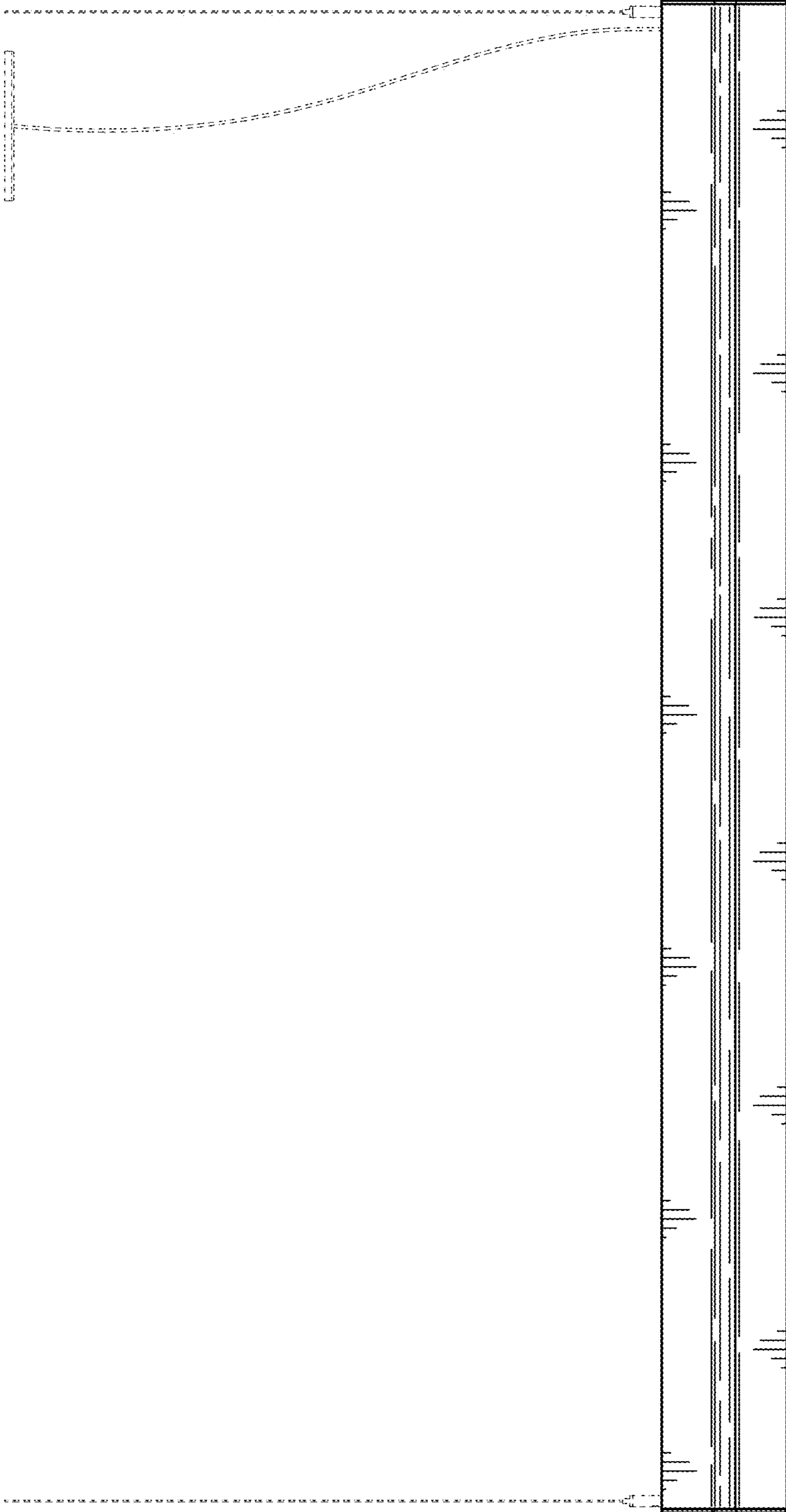


FIG. 4

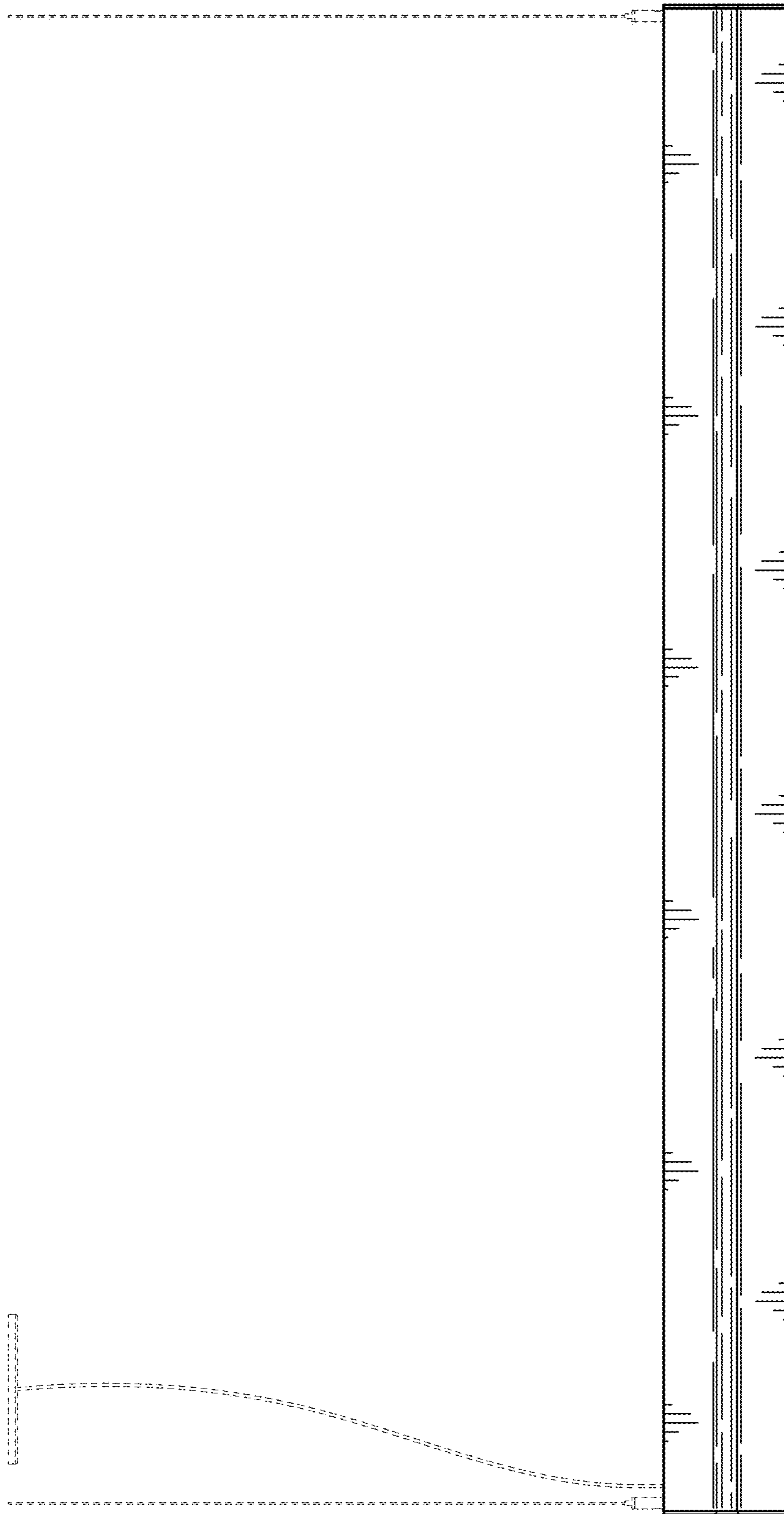


FIG. 5

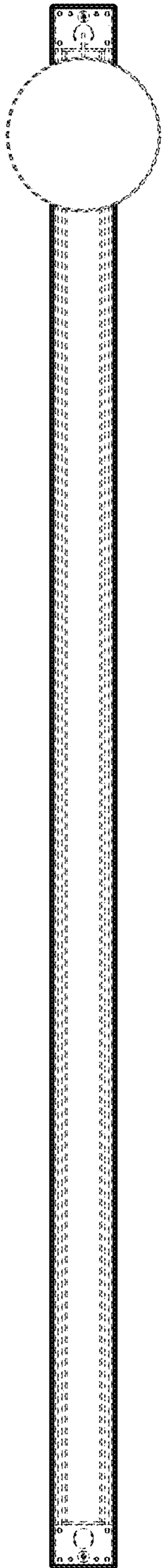


FIG. 6

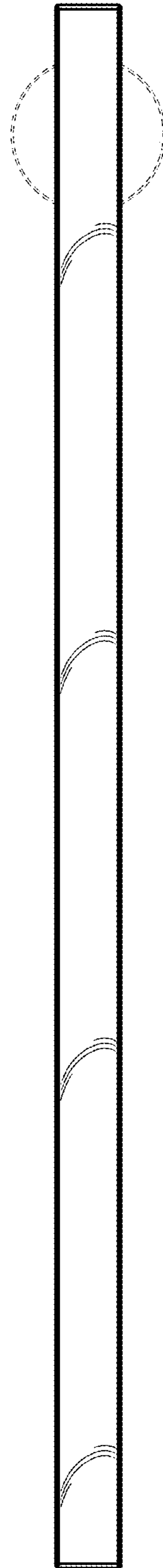
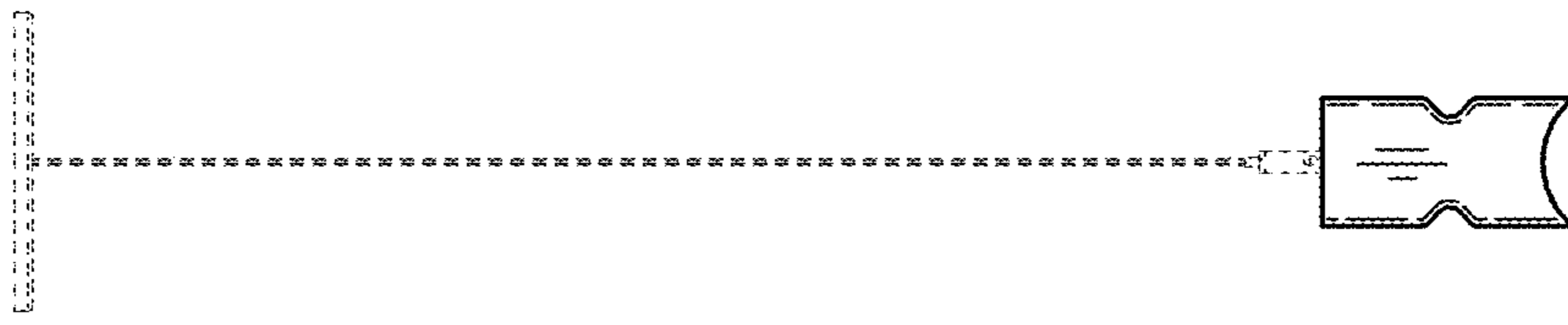
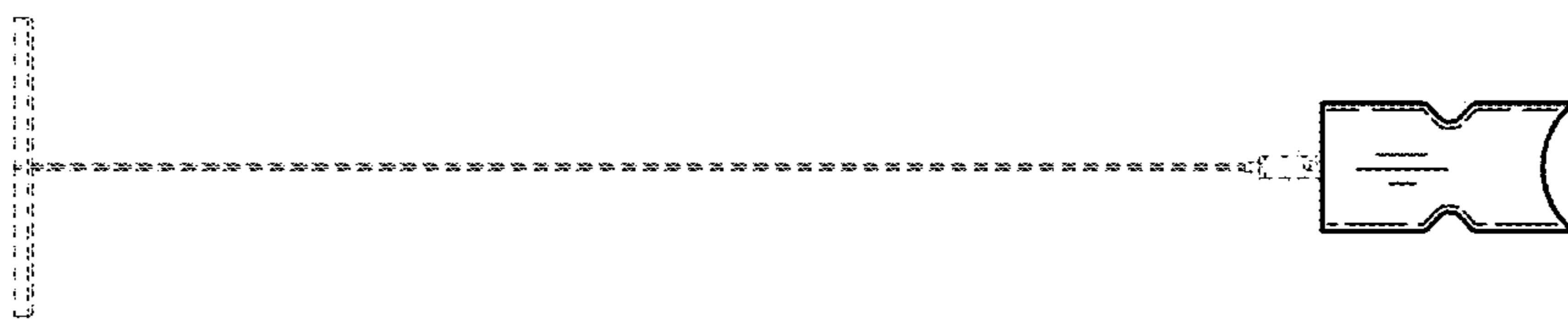


FIG. 7

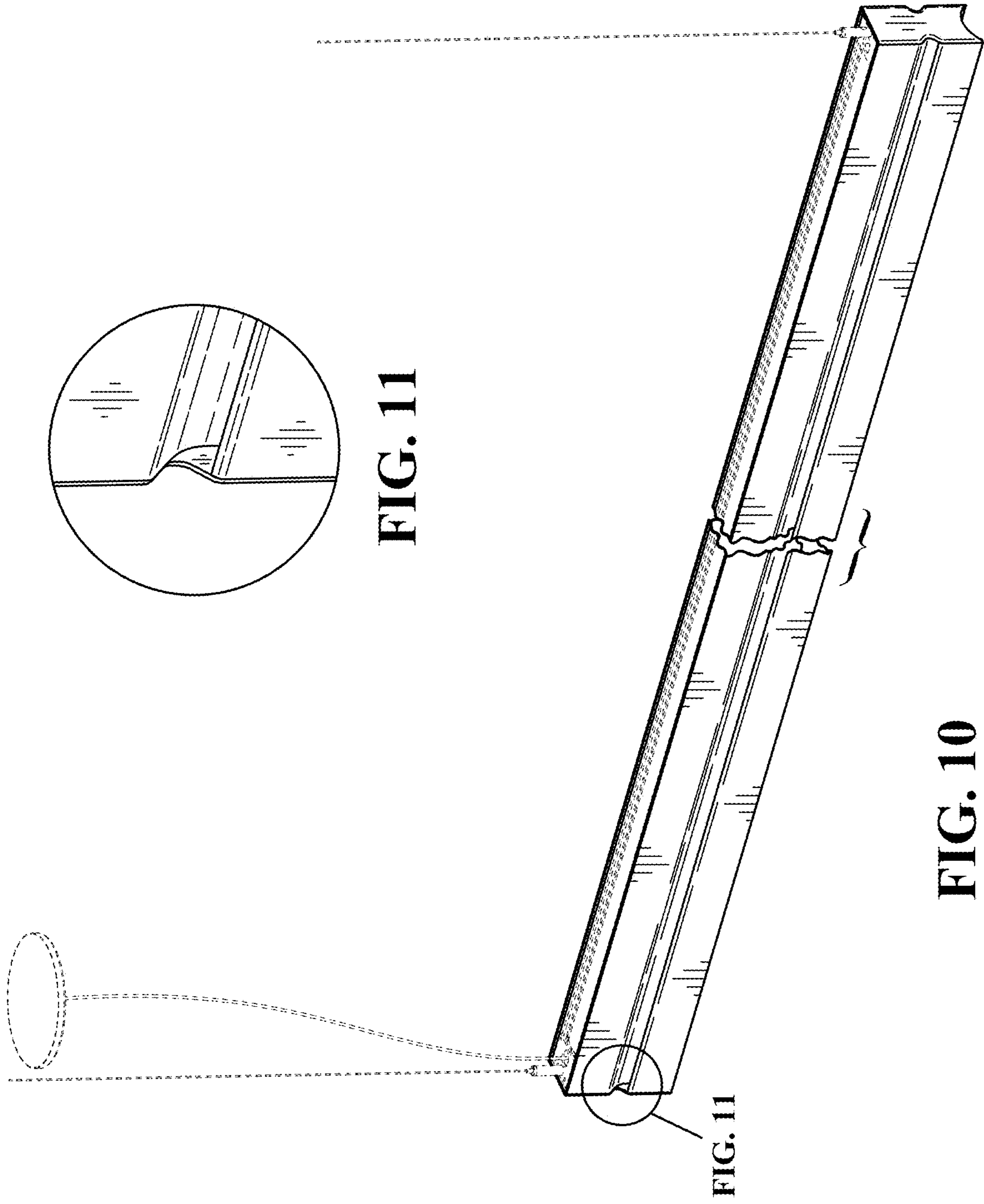


**FIG. 9**



**FIG. 8**





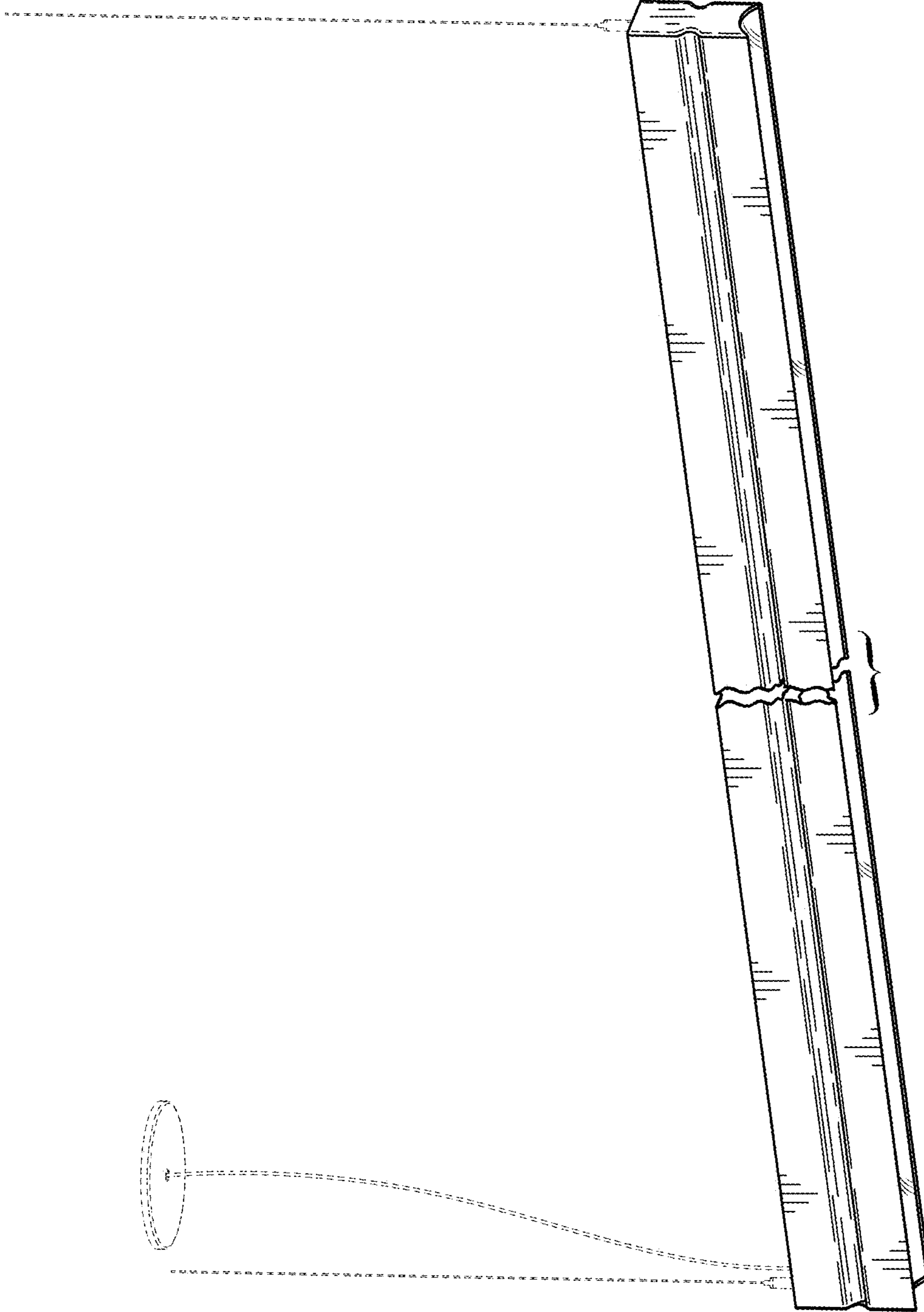


FIG. 12

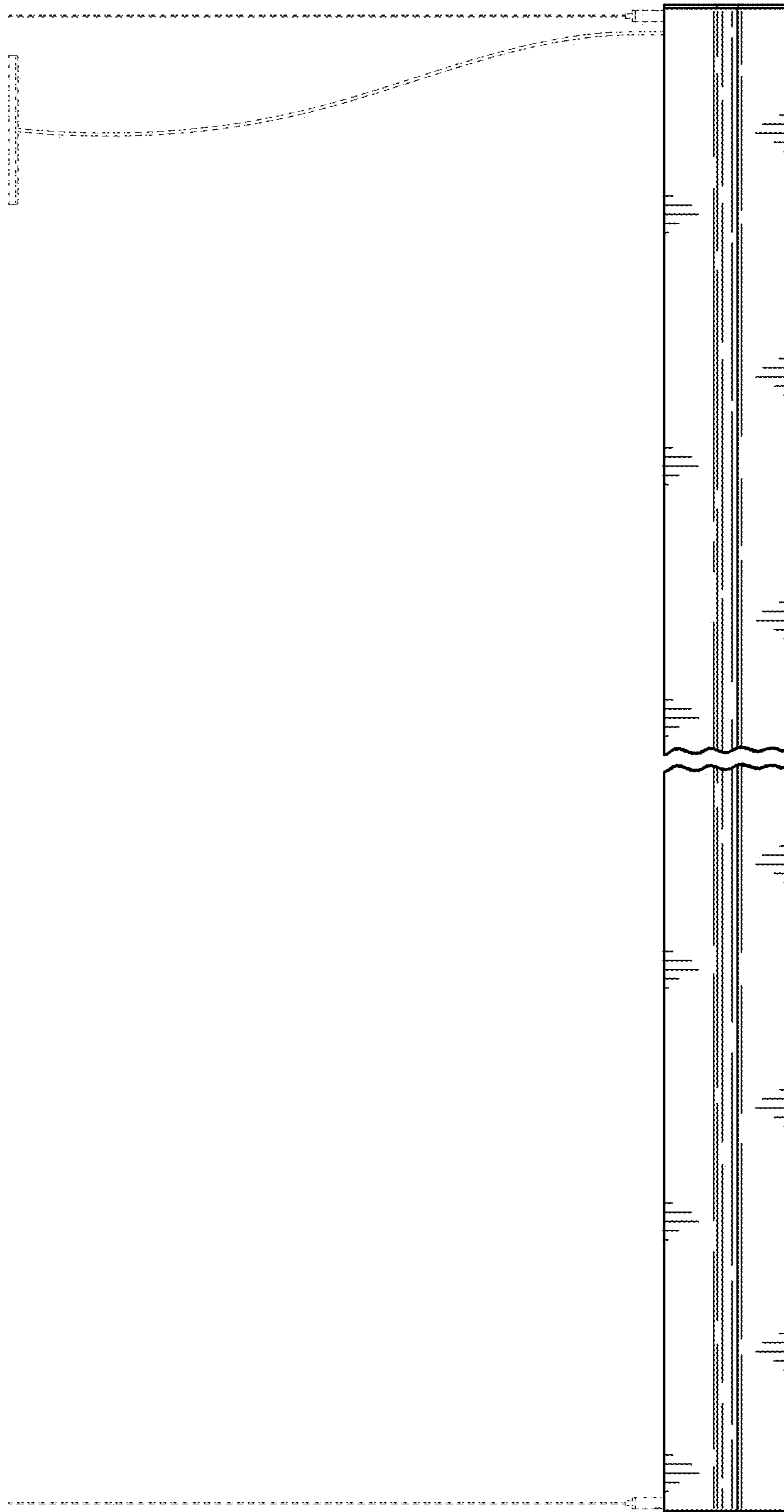


FIG. 13

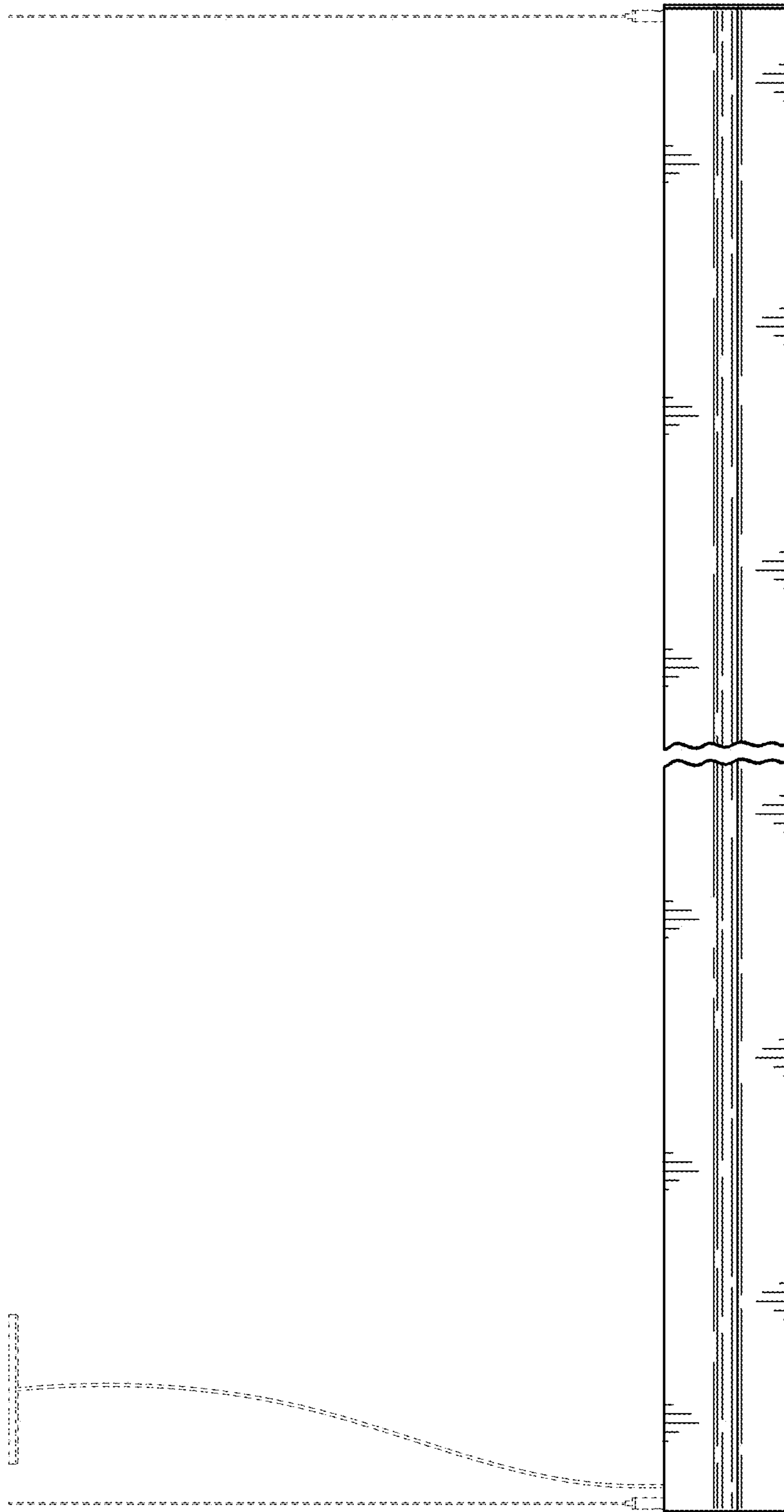


FIG. 14

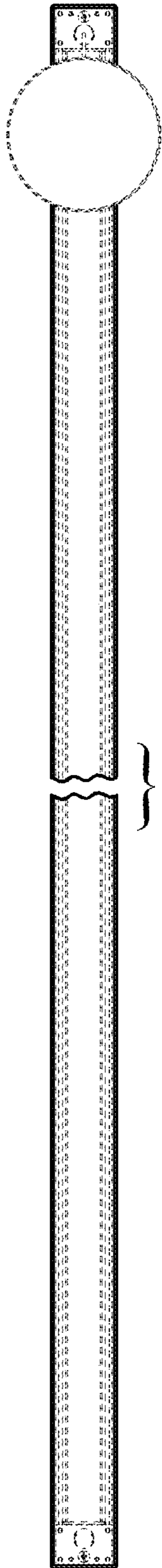


FIG. 15

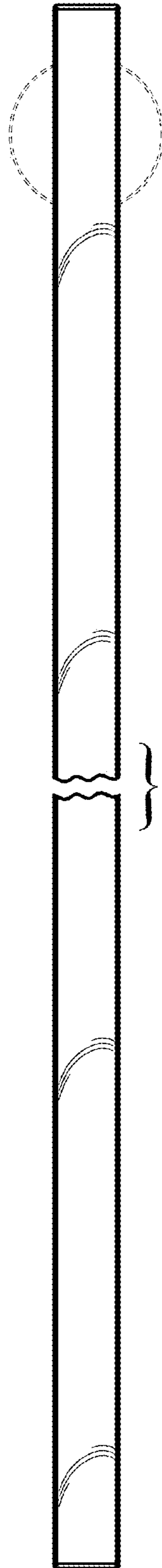


FIG. 16

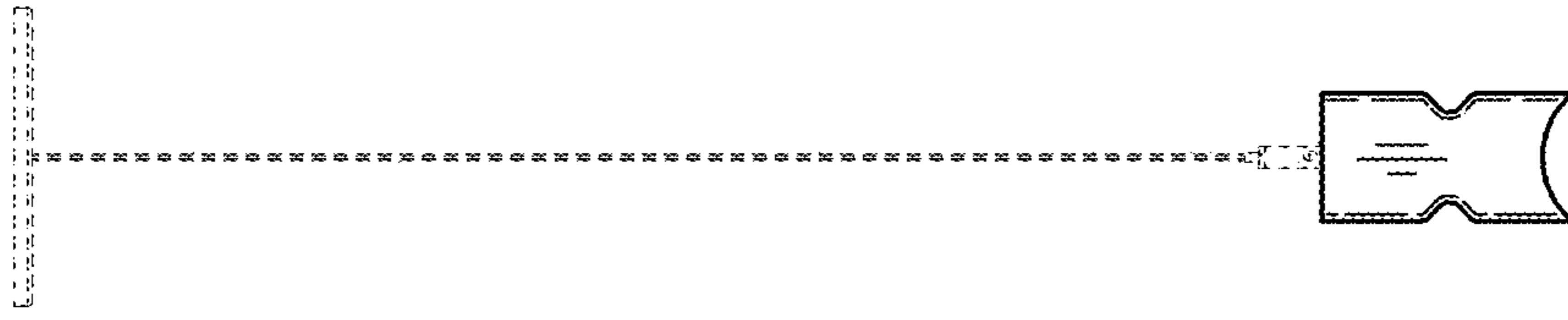


FIG. 18

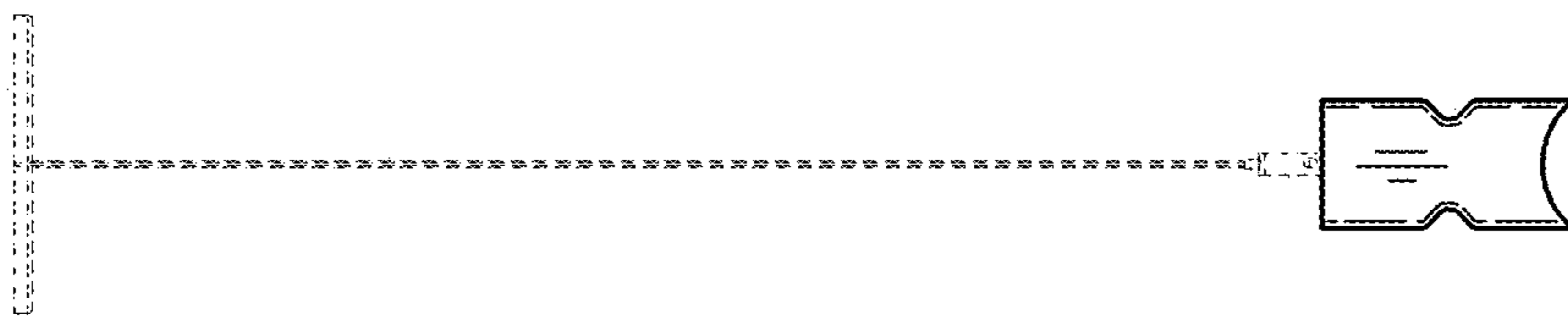


FIG. 17