



US00D969388S

(12) **United States Design Patent** (10) **Patent No.:** **US D969,388 S**  
**Jiang** (45) **Date of Patent:** **\*\* Nov. 8, 2022**

(54) **GROW LIGHT**

FOREIGN PATENT DOCUMENTS

(71) Applicant: **ZHEJIANG PO-LIGHT ELECTRICAL APPLIANCE CO., LTD**, Zhejiang (CN)

CN 303914101 \* 11/2016  
CN 305271240 \* 7/2019

(Continued)

(72) Inventor: **Hairui Jiang**, Zhejiang (CN)

OTHER PUBLICATIONS

(73) Assignee: **ZHEJIANG PO-LIGHT ELECTRICAL APPLIANCE CO., LTD**, Wenling (CN)

Mixjoy 2022 Newest GL4000s Led Grow Lights for Indoor Plants, available in Amazon.com, oldest customer review date Jan. 29, 2021 [online]. [site visited Sep. 6, 2022], Available from the internet URL: <https://a.co/d/4pFDpmH> (Year: 2021).\*

(\*\*) Term: **15 Years**

*Primary Examiner* — Brett Miller

*Assistant Examiner* — Jasmine L. Comedy

(21) Appl. No.: **29/782,469**

(74) *Attorney, Agent, or Firm* — Dragon Sun Law Firm, PC; Jinggao Li; Nathaniel Perkins

(22) Filed: **May 6, 2021**

(57) **CLAIM**

(30) **Foreign Application Priority Data**

The ornamental design for a grow light, as shown and described.

Apr. 20, 2021 (CN) ..... 202130224098.X

(51) **LOC (13) Cl.** ..... **26-04**

(52) **U.S. Cl.**  
USPC ..... **D26/76**

(58) **Field of Classification Search**  
USPC ..... D26/24, 74, 76, 77, 85, 113, 72, 118;  
362/223, 220, 249.15  
CPC .. F21Y 2113/00; F21Y 2103/00; F21V 17/00;  
F21S 8/04; F21S 4/28; A01G 7/045;  
A01G 9/249; D03D 9/00; H05B 45/20  
See application file for complete search history.

**DESCRIPTION**

FIG. 1 is a front perspective view of the grow light; FIG. 2 is a rear perspective view of FIG. 1; FIG. 3 is a front view of FIG. 1; FIG. 4 is a rear view of FIG. 1; FIG. 5 is a left view of FIG. 1; FIG. 6 is a right view of FIG. 1; FIG. 7 is a top view of FIG. 1; FIG. 8 is a bottom view of FIG. 1; FIG. 9 is an enlarged view of a portion of FIG. 1; FIG. 10 is an enlarged view of a portion of FIG. 2; FIG. 11 is an enlarged view of a portion of FIG. 2; FIG. 12 is an enlarged view of a portion of FIG. 2; FIG. 13 is an enlarged view of a portion of FIG. 3; FIG. 14 is an enlarged view of a portion of FIG. 4; FIG. 15 is an enlarged view of a portion of FIG. 5; FIG. 16 is an enlarged view of a portion of FIG. 5; and, FIG. 17 is an enlarged view of a portion of FIG. 7.

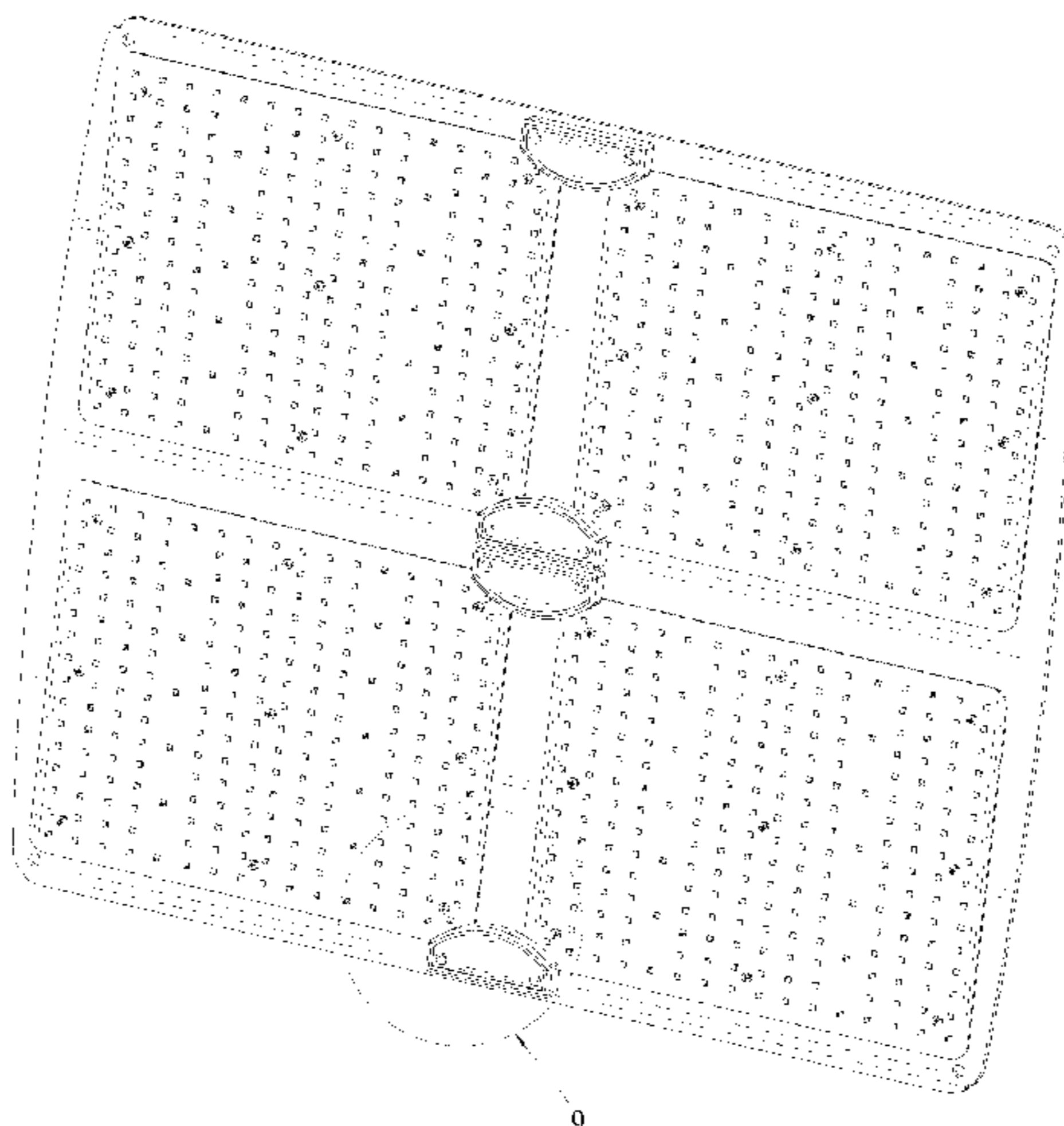
(56) **References Cited**

U.S. PATENT DOCUMENTS

D574,994 S \* 8/2008 Boyer ..... D26/120  
D857,273 S \* 8/2019 Zou ..... D26/80  
D893,076 S \* 8/2020 Liu ..... D26/76  
D893,077 S \* 8/2020 Liu ..... D26/76  
D893,078 S \* 8/2020 Liu ..... D26/76

(Continued)

(Continued)



The broken lines shown on the drawings depict portions of the grow light that form no part of the claimed design.

**1 Claim, 17 Drawing Sheets**

(56) **References Cited**

U.S. PATENT DOCUMENTS

10,734,441 B1 \* 8/2020 Schweid ..... G03B 15/06  
D910,222 S \* 2/2021 Zhang ..... D26/72  
D927,770 S \* 8/2021 Hu ..... D26/118  
D934,481 S \* 10/2021 Liu ..... D26/76  
D947,438 S \* 3/2022 Zhang ..... D26/76  
2018/0038578 A1 \* 2/2018 Son ..... F21V 3/00

FOREIGN PATENT DOCUMENTS

CN 306067624 \* 9/2020  
CN 306073735 \* 9/2020  
CN 306108723 \* 10/2020

\* cited by examiner

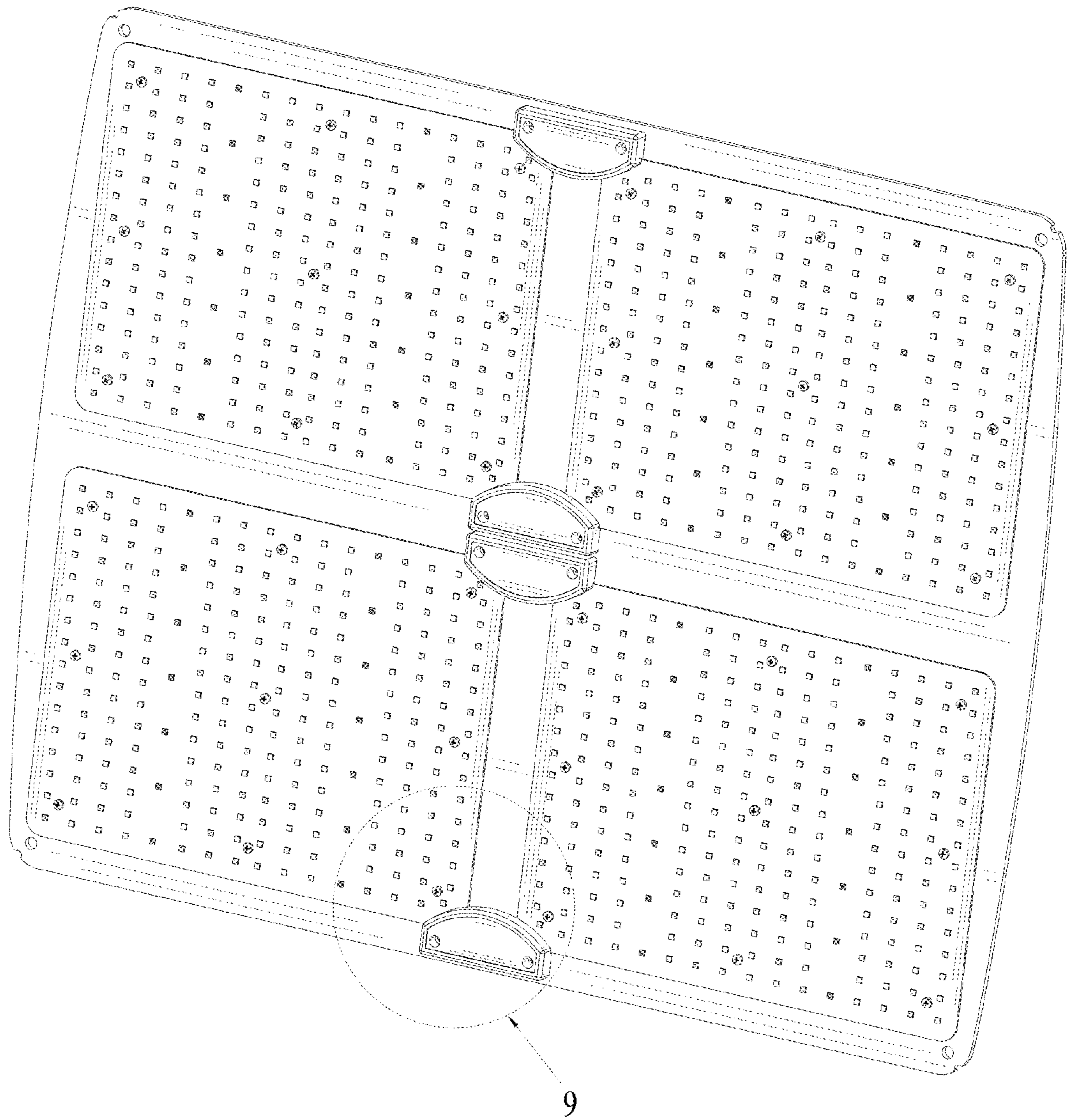


FIG. 1

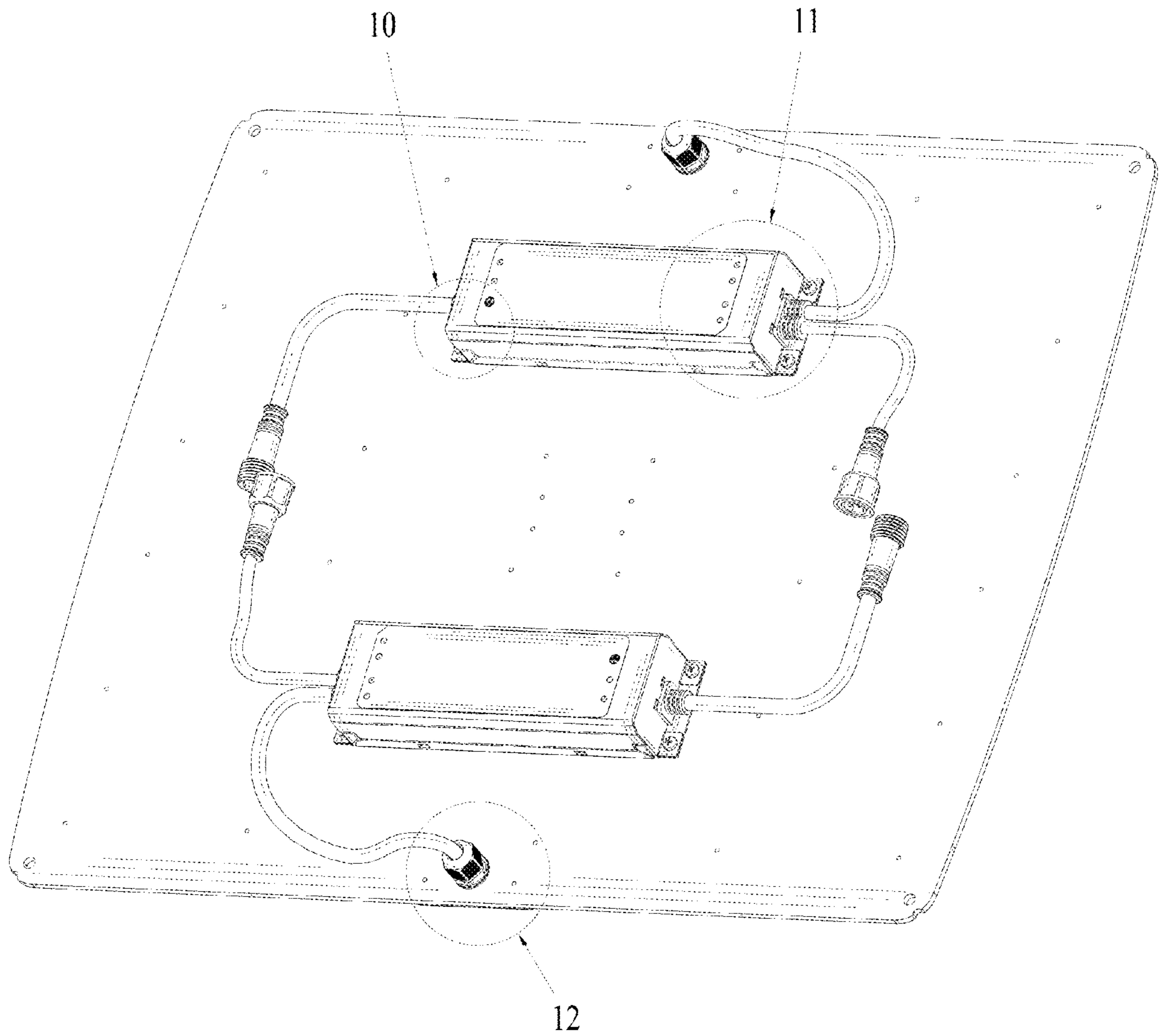


FIG. 2

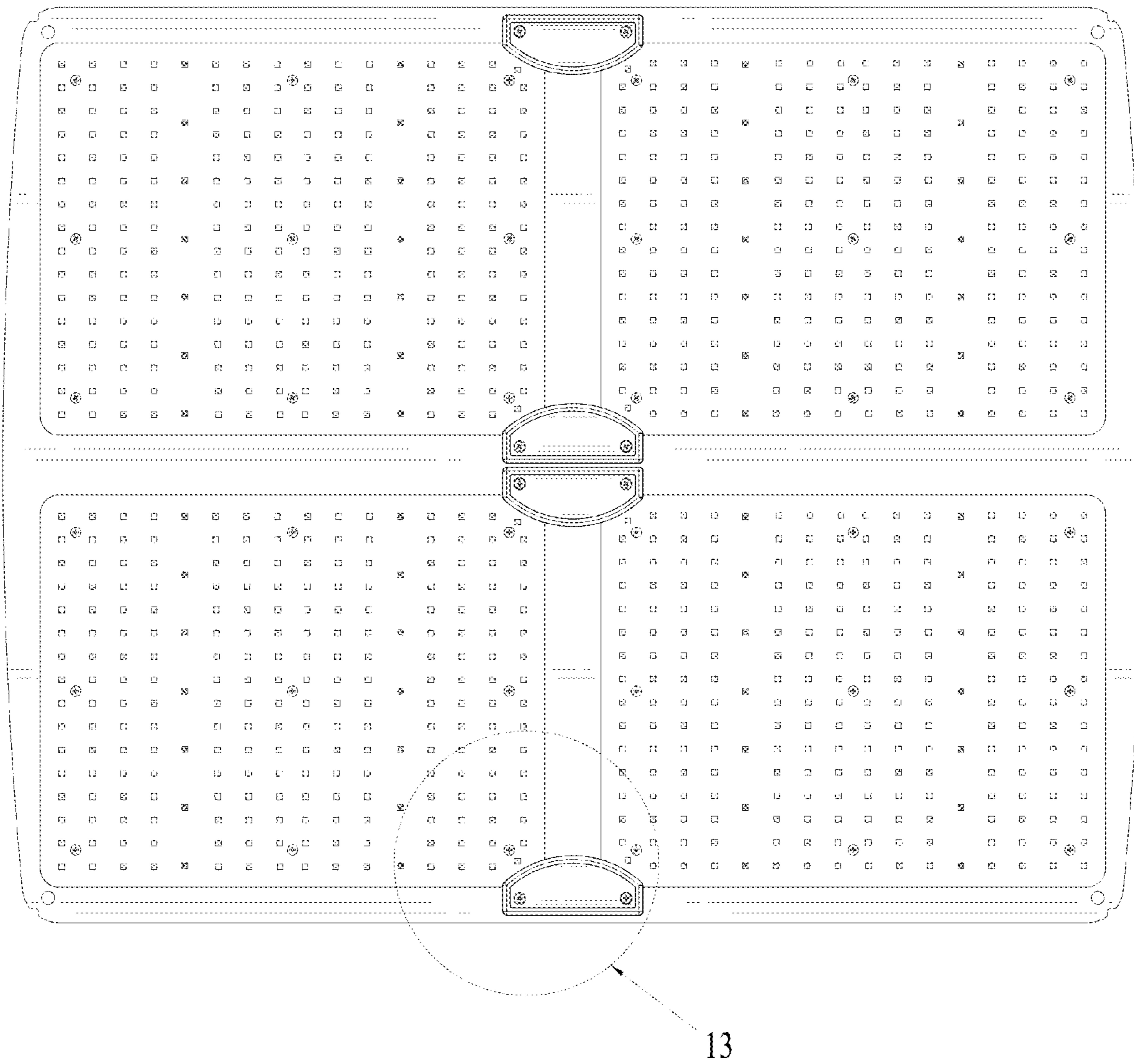


FIG. 3

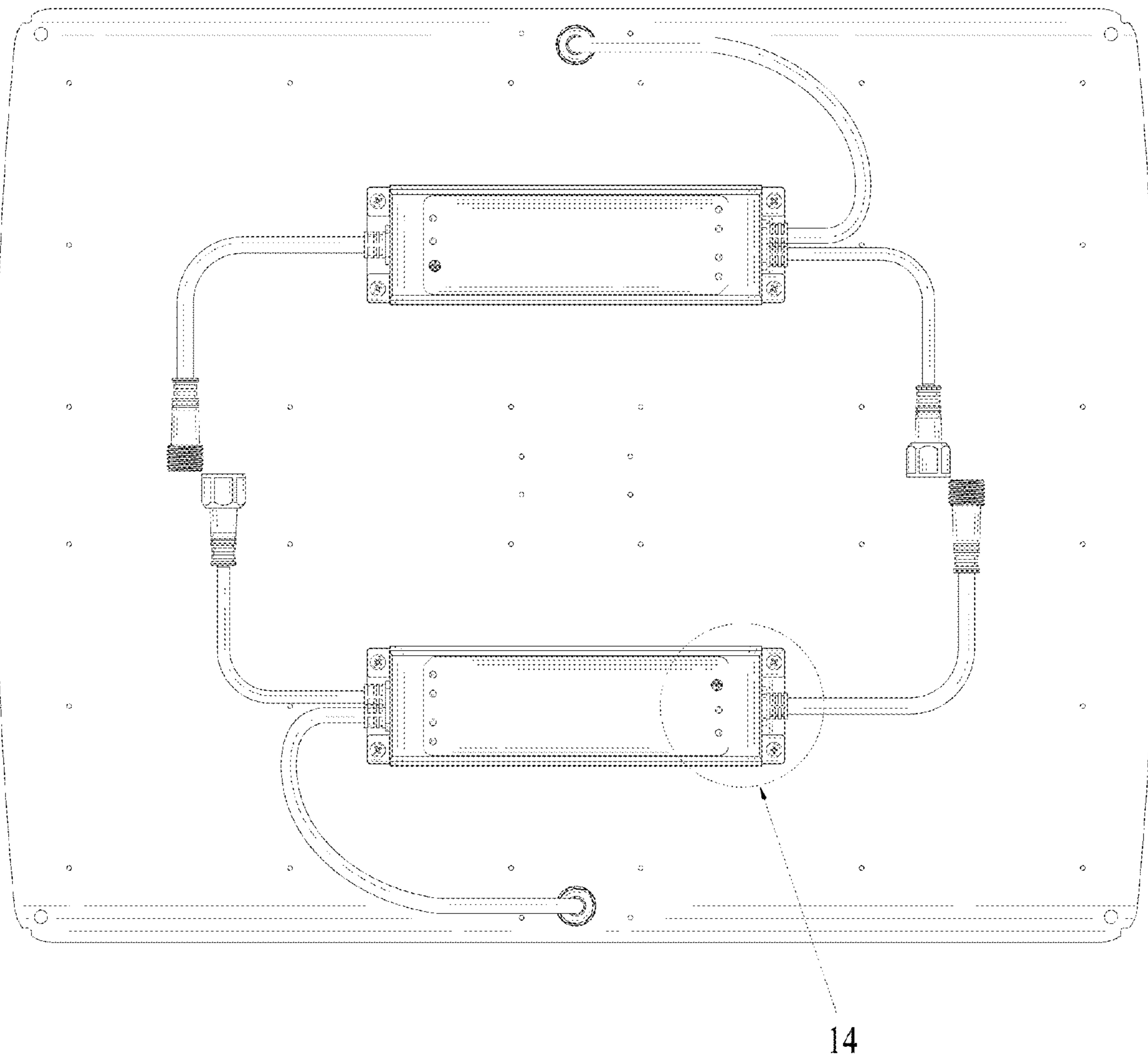


FIG. 4

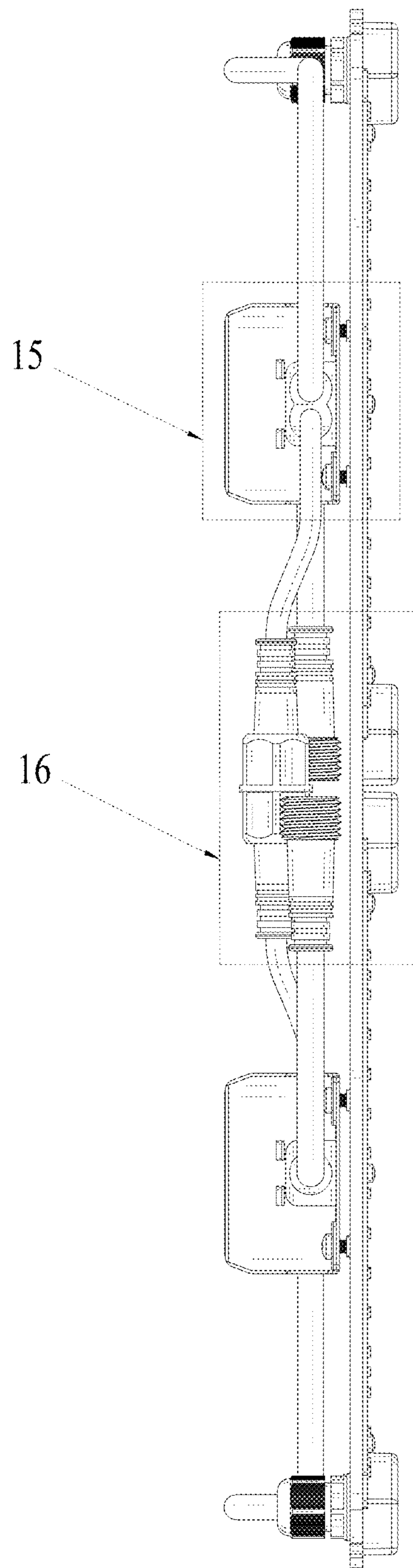


FIG. 5

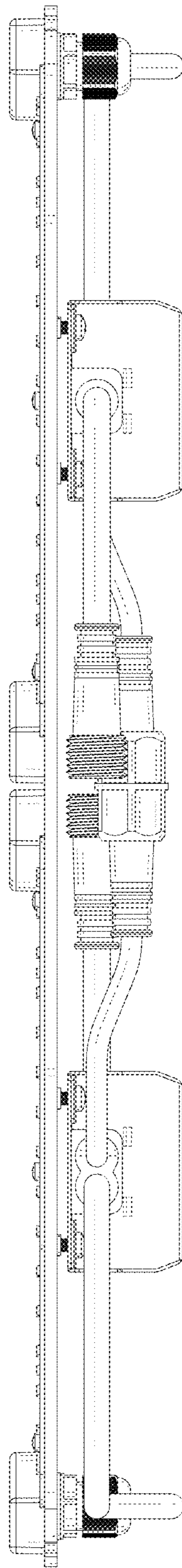


FIG. 6



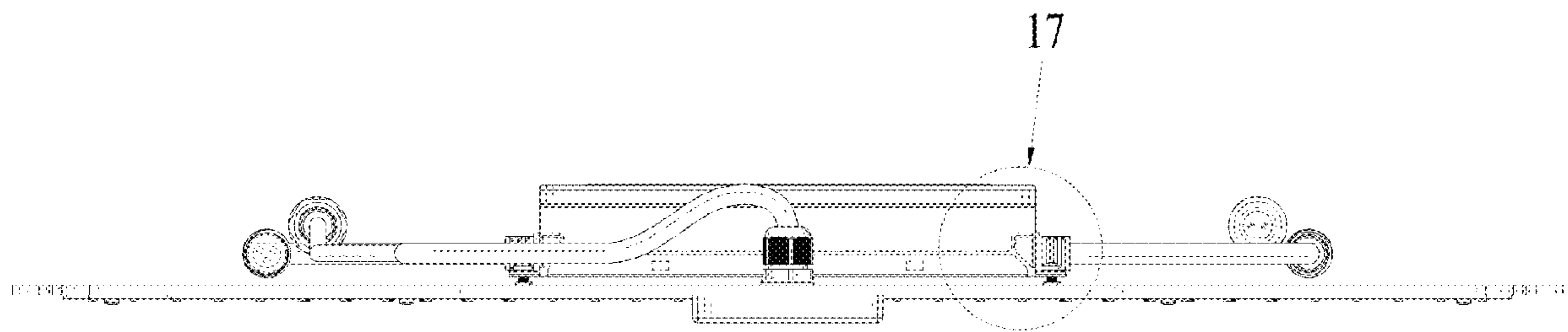


FIG. 7

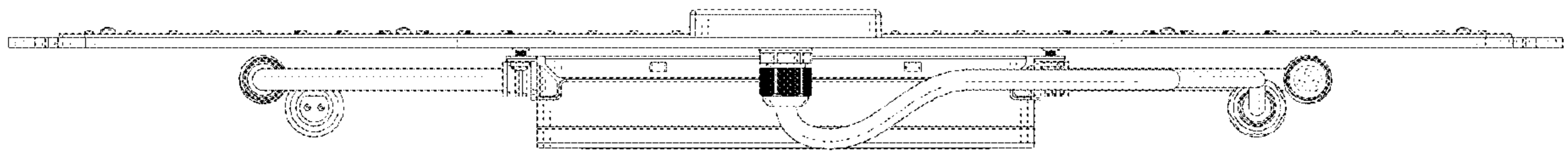


FIG. 8

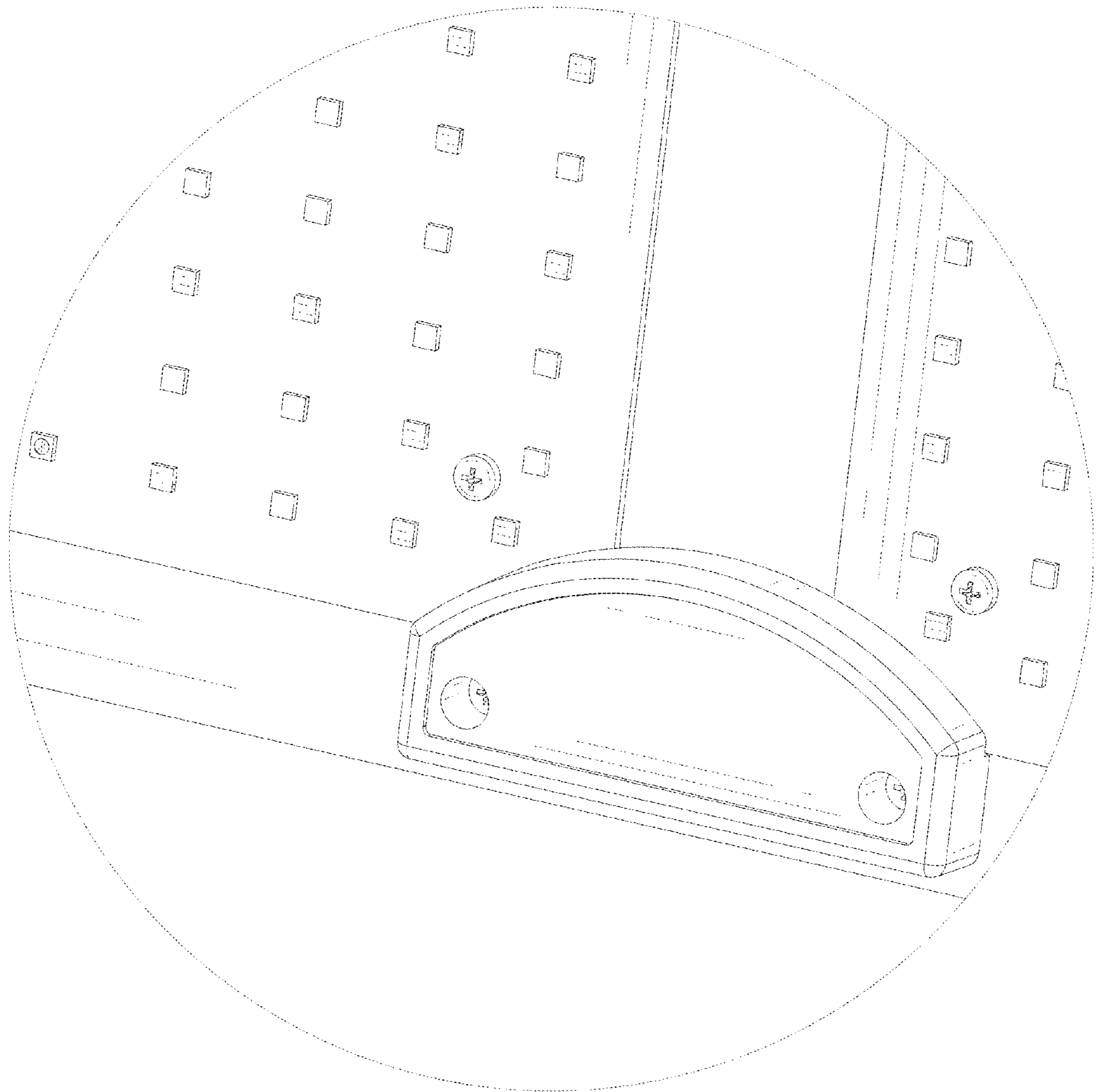


FIG. 9

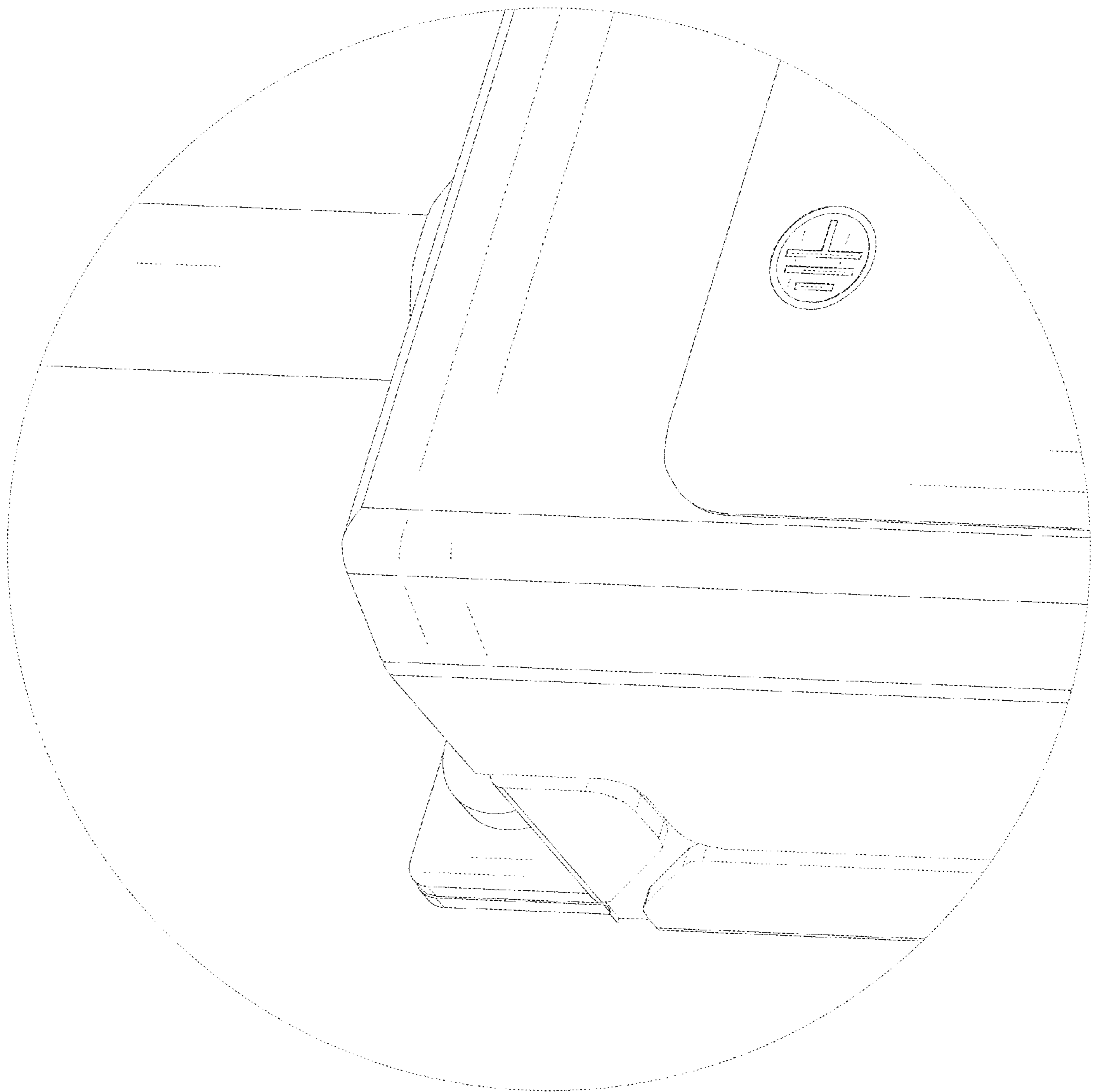


FIG. 10

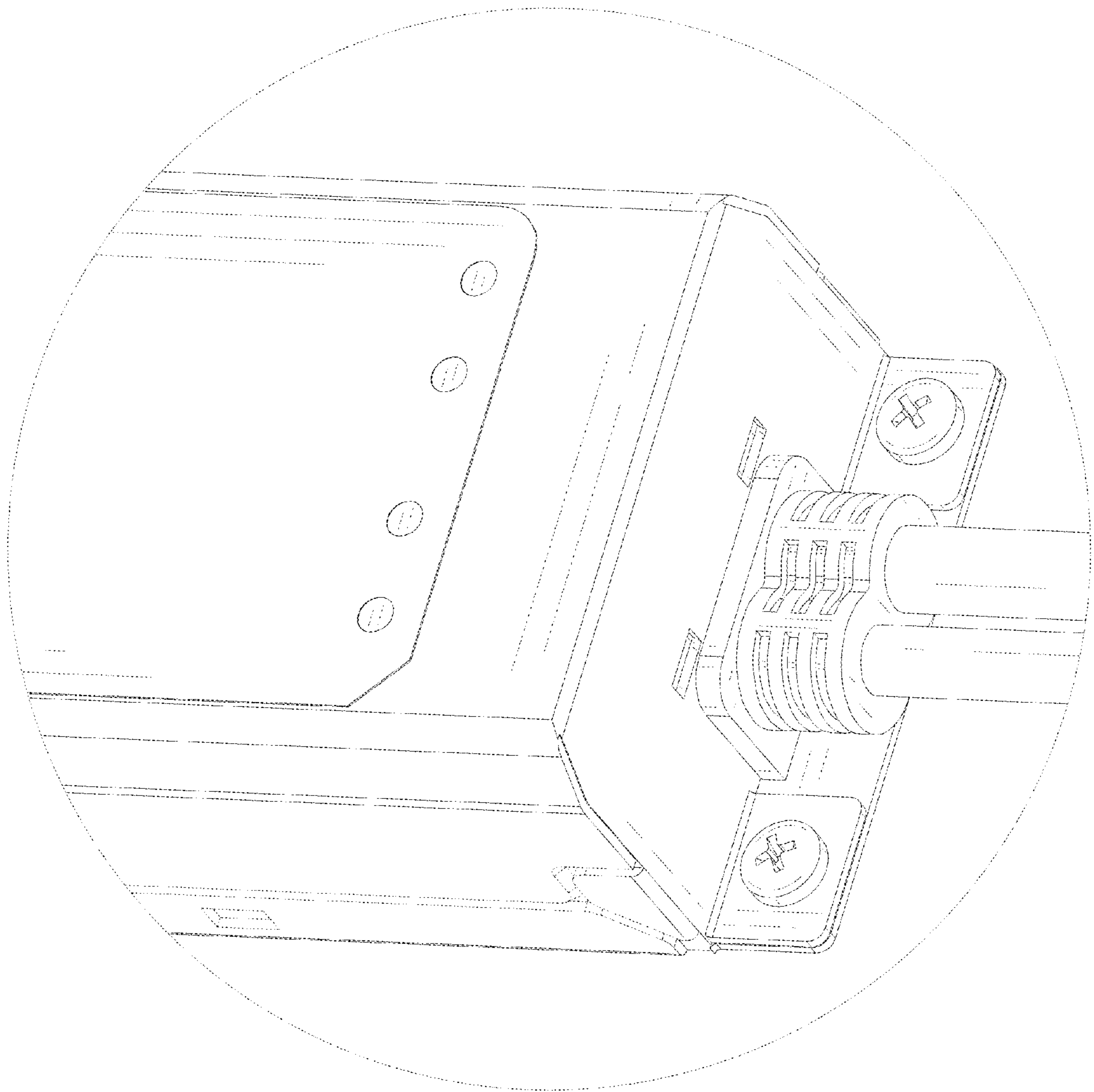


FIG. 11

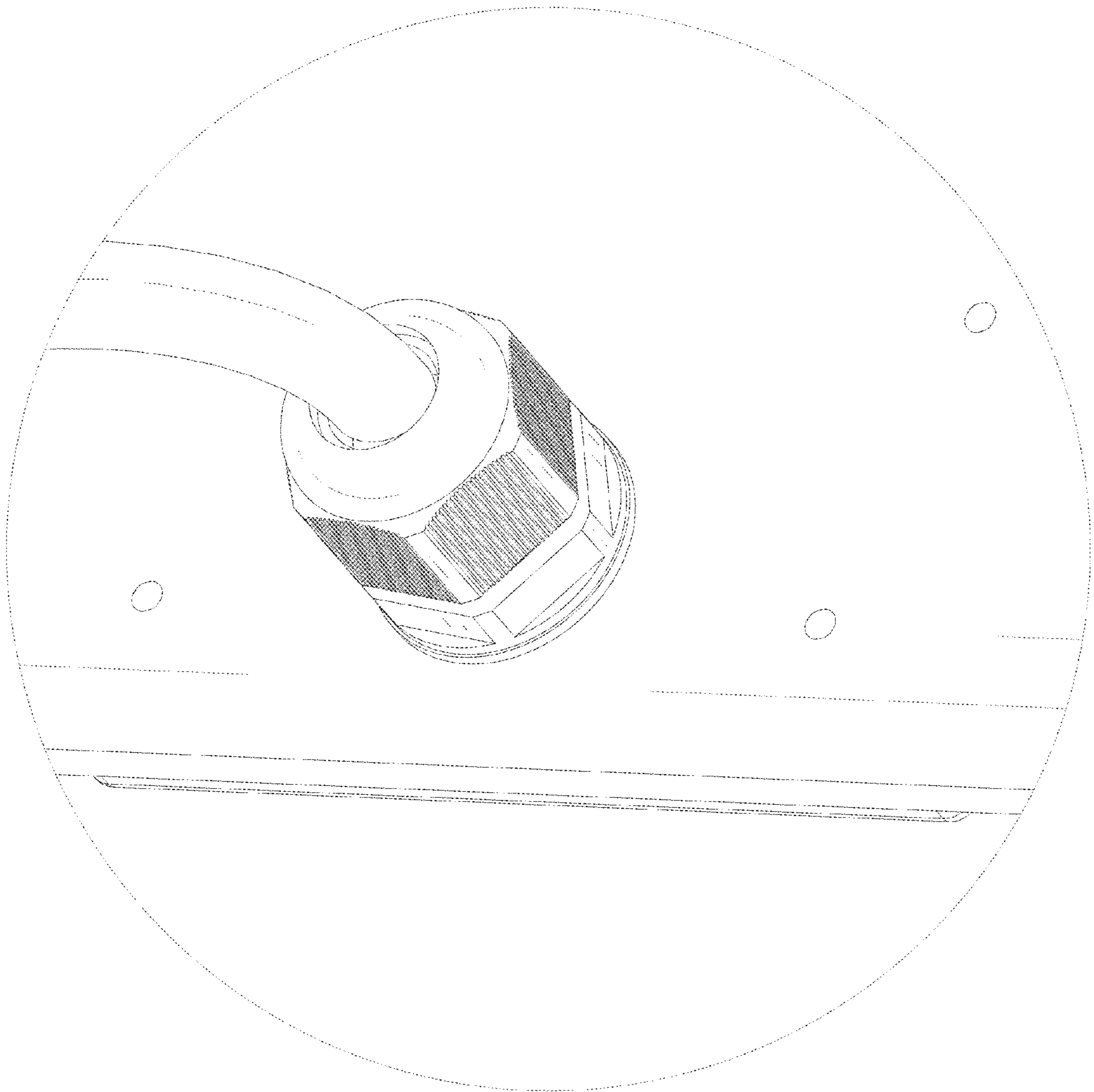


FIG. 12

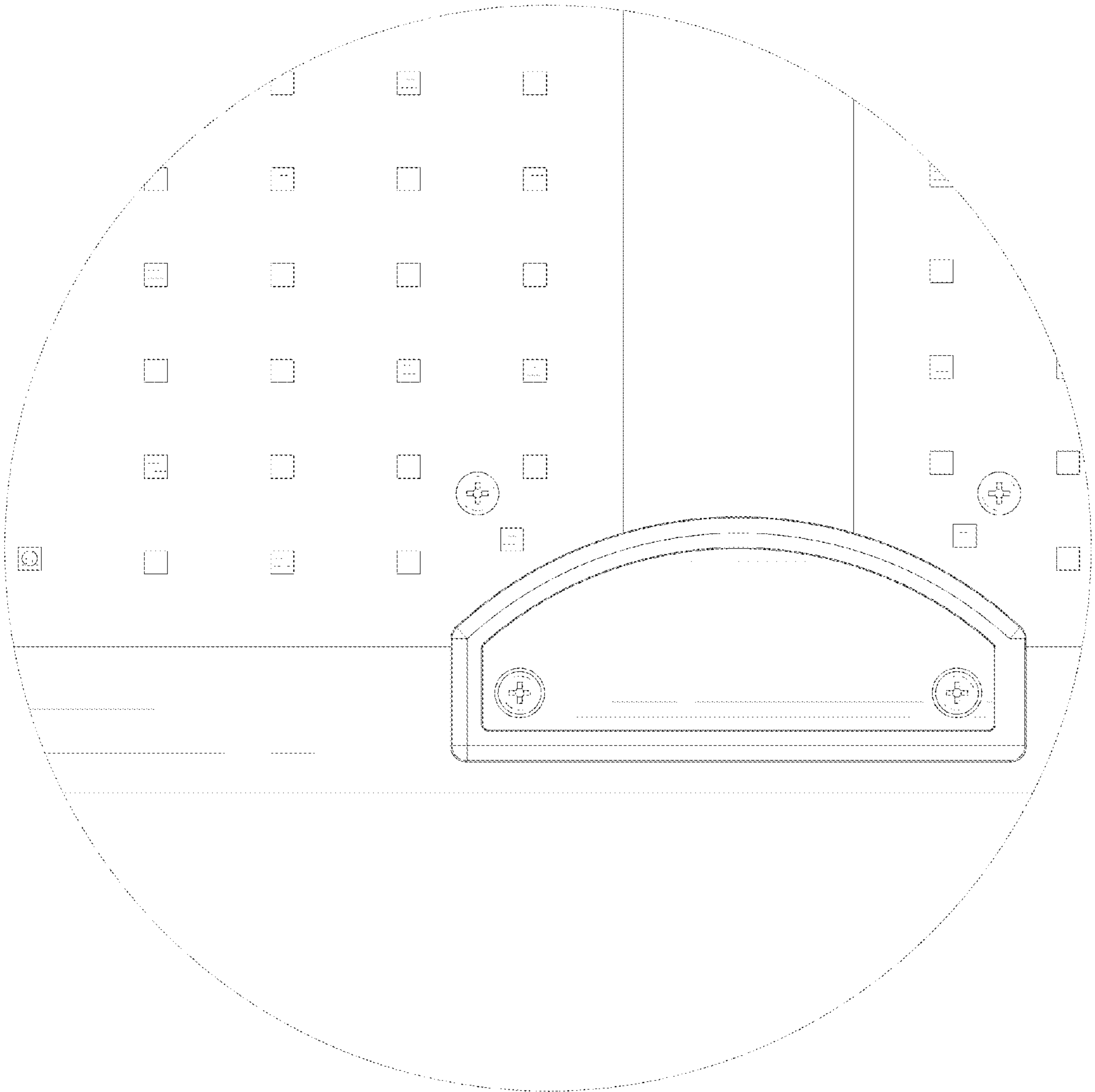


FIG. 13

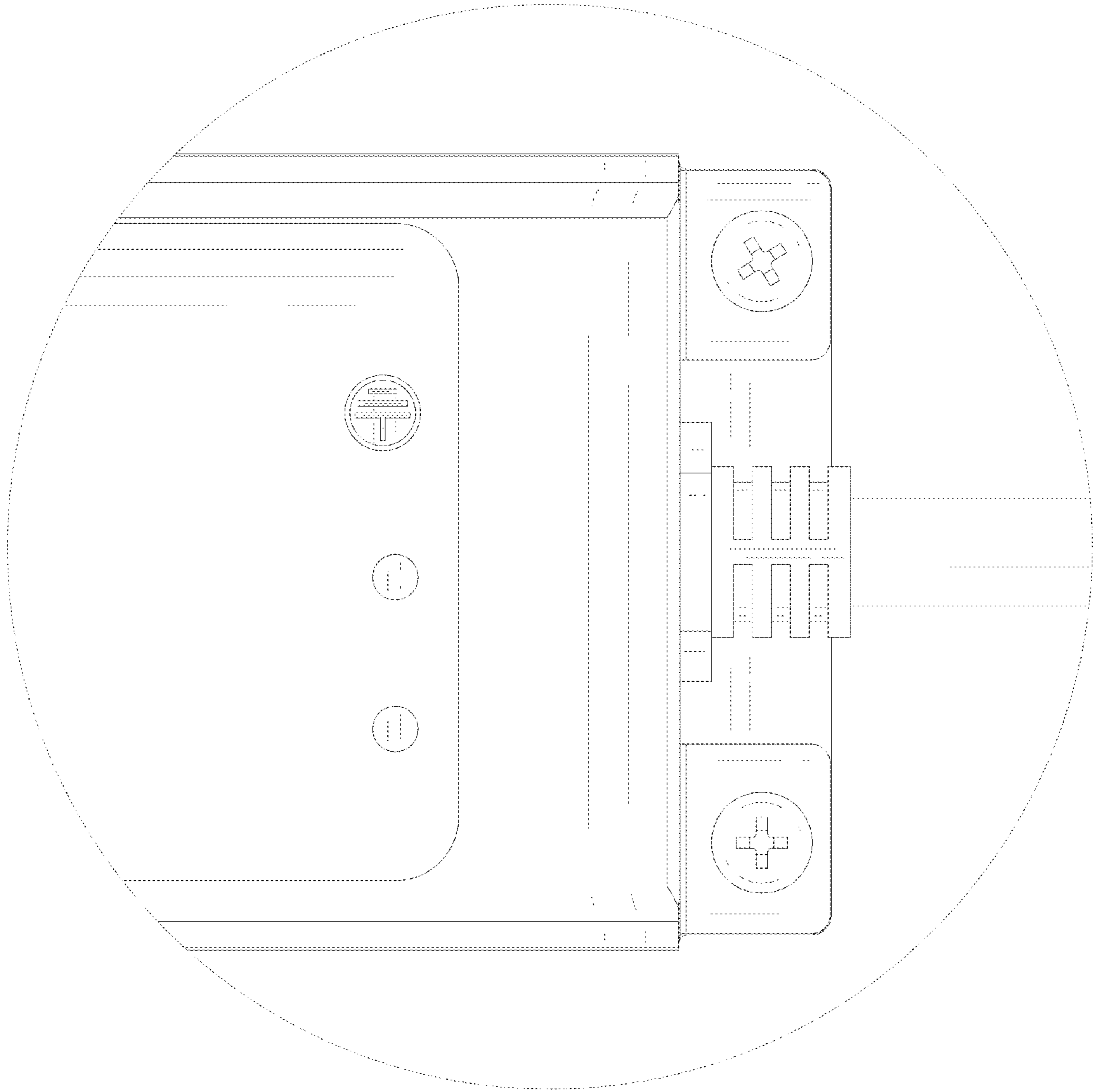


FIG. 14



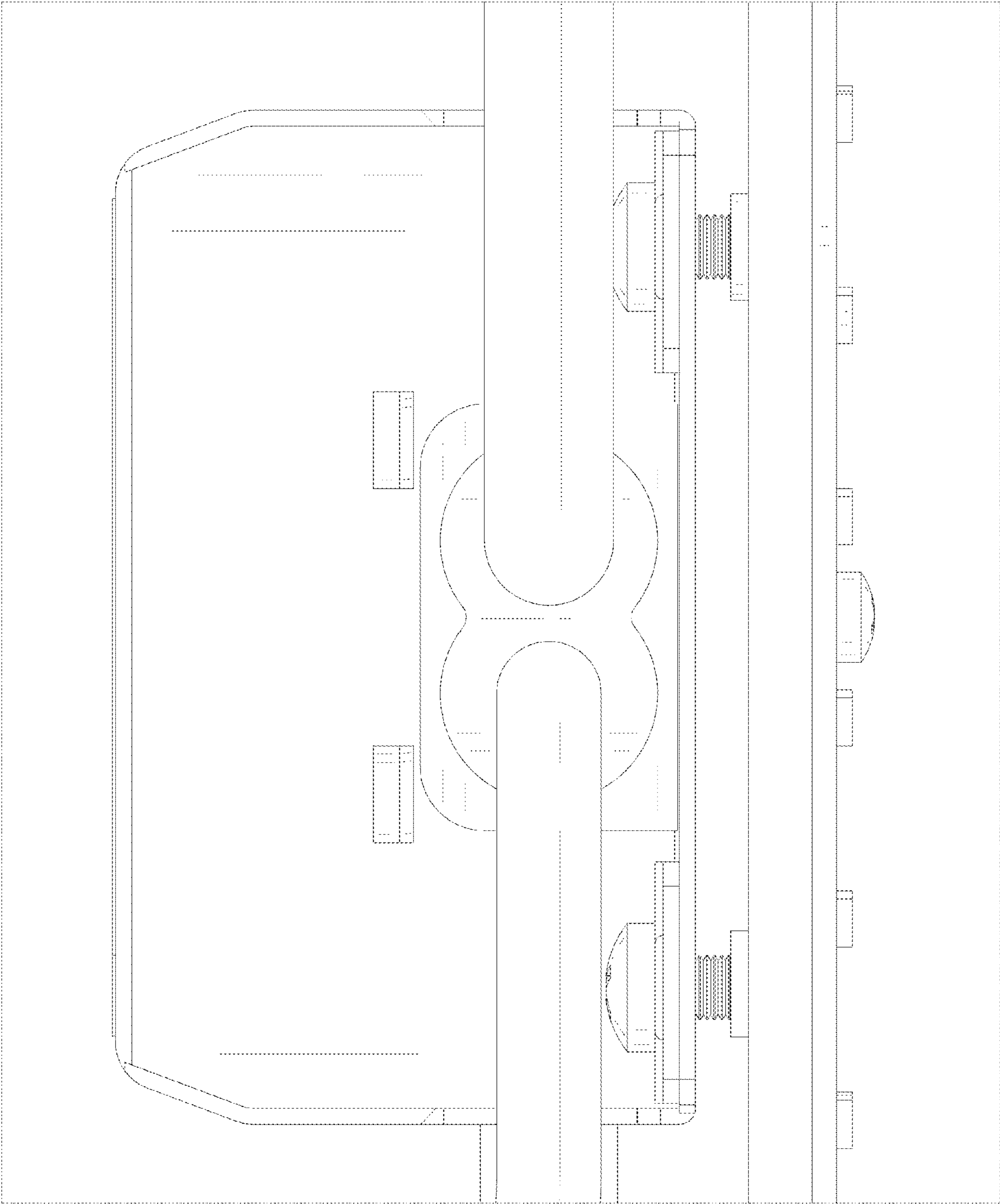


FIG. 15

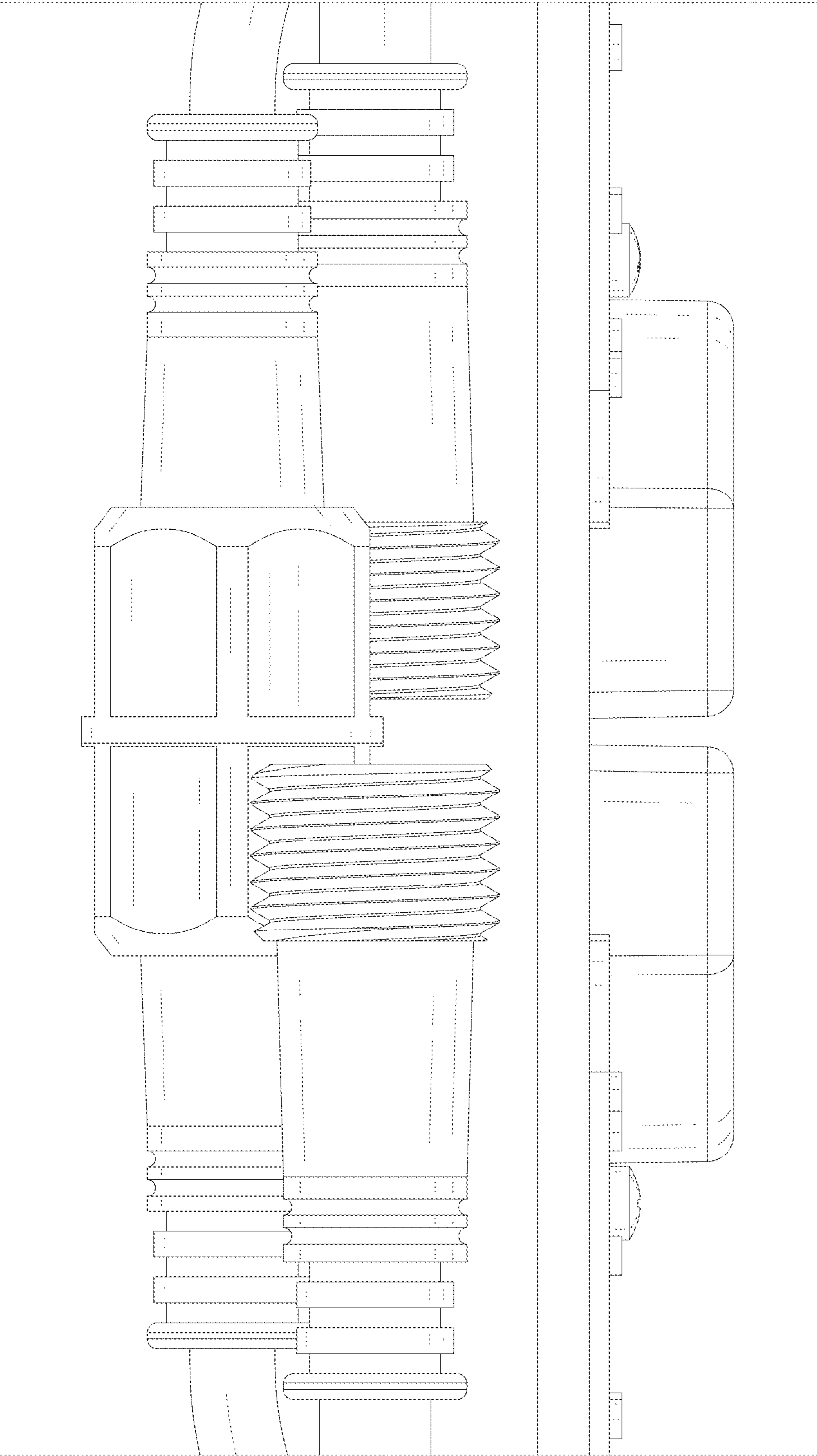


FIG. 16

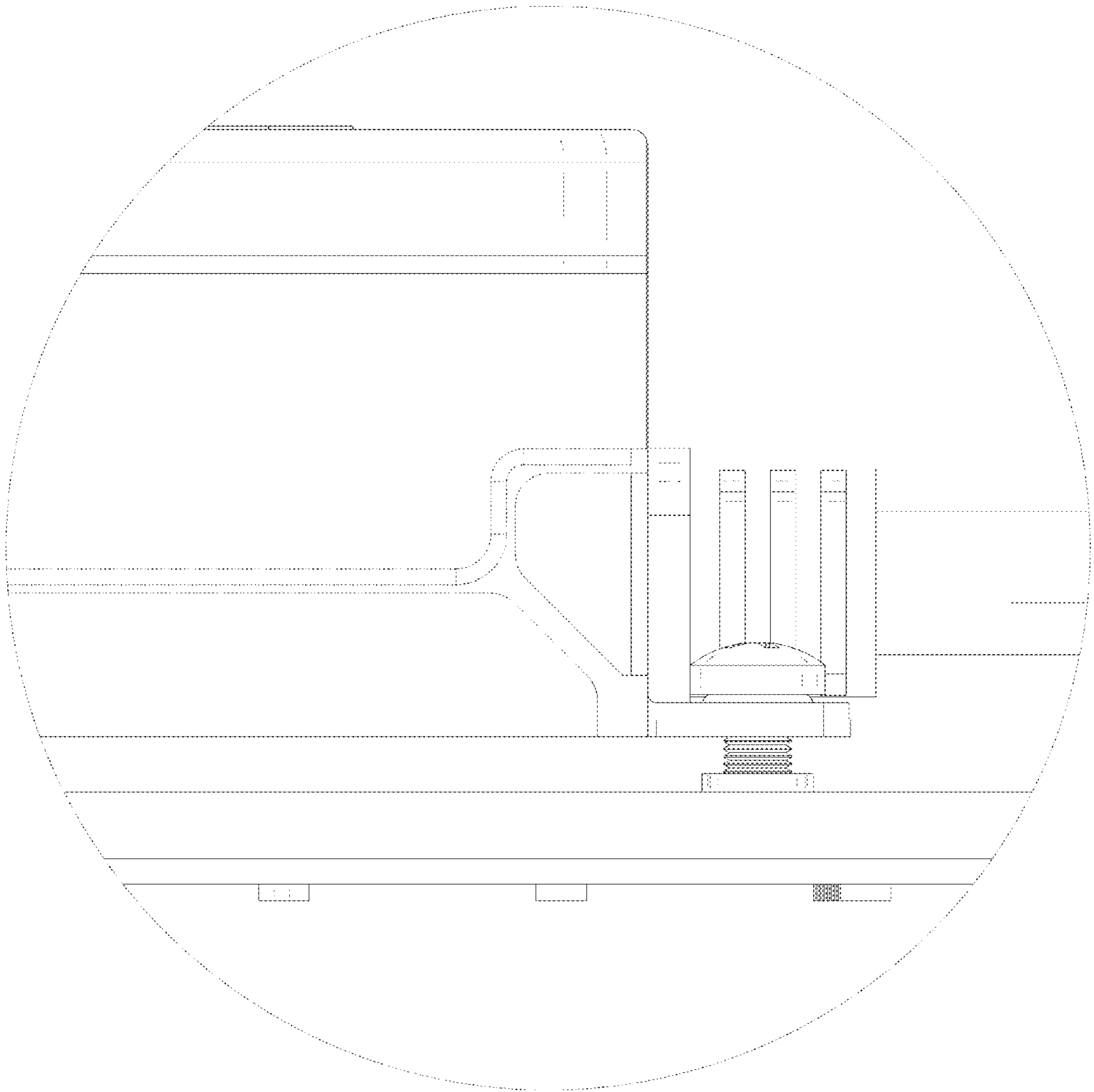


FIG. 17