



US00D969387S

(12) **United States Design Patent** (10) **Patent No.:** **US D969,387 S**  
**Li** (45) **Date of Patent:** **\*\* Nov. 8, 2022**

(54) **LIGHT FIXTURE**

(71) Applicant: **Xiamen Longstar Lighting Co., Ltd.,**  
Fujian (CN)

(72) Inventor: **Xilong Li,** Fujian (CN)

(73) Assignee: **XIAMEN LONGSTAR LIGHTING**  
**CO., LTD.,** Fujian (CN)

(\*\*) Term: **15 Years**

(21) Appl. No.: **29/781,135**

(22) Filed: **Apr. 28, 2021**

(30) **Foreign Application Priority Data**

Dec. 18, 2020 (CN) ..... 202030785057.3

(51) **LOC (13) Cl.** ..... **26-04**

(52) **U.S. Cl.**  
USPC ..... **D26/76**

(58) **Field of Classification Search**  
USPC ..... D26/24, 72, 51, 76, 78, 89, 118, 120;  
362/223, 217.01

(Continued)

(56) **References Cited**

**U.S. PATENT DOCUMENTS**

D476,753 S \* 7/2003 Chelf ..... D26/3  
D521,173 S \* 5/2006 Noh ..... D26/78

(Continued)

**FOREIGN PATENT DOCUMENTS**

CN 302799401 \* 4/2014  
GB 5004546 \* 8/2016  
GB 6019052 \* 9/2017

**OTHER PUBLICATIONS**

Sunlite 85408 LED Linear Dual Strip Light Fixture, available in Amazon.com, date first available Sep. 7, 2018 [online], [site visited

Aug. 3, 2022], Available from the internet URL: <https://a.co/d/13sheqF> (Year: 2018).\*

(Continued)

*Primary Examiner* — Brett Miller

*Assistant Examiner* — Jasmine L. Comedy

(74) *Attorney, Agent, or Firm* — Cooper Legal Group  
LLC

(57) **CLAIM**

The ornamental design for a light fixture, as shown and described.

**DESCRIPTION**

FIG. 1 is a front elevation view of a light fixture showing a first embodiment the new design;

FIG. 2 is a rear elevation view thereof;

FIG. 3 is a left side elevation view thereof;

FIG. 4 is a right side elevation view thereof;

FIG. 5 is a top plan view thereof;

FIG. 6 is a bottom plan view thereof;

FIG. 7 is a first perspective view thereof;

FIG. 8 is a second perspective view thereof;

FIG. 9 is an enlarged top plan view thereof;

FIG. 10 is an enlarged perspective view showing a portion of the first embodiment taken from the encircled area 10 shown in FIG. 8;

FIG. 11 is a front elevation view of the light fixture showing a second embodiment the new design;

FIG. 12 is a rear elevation view thereof;

FIG. 13 is a left side elevation view thereof;

FIG. 14 is a right side elevation view thereof;

FIG. 15 is a top plan view thereof;

FIG. 16 is a bottom plan view thereof;

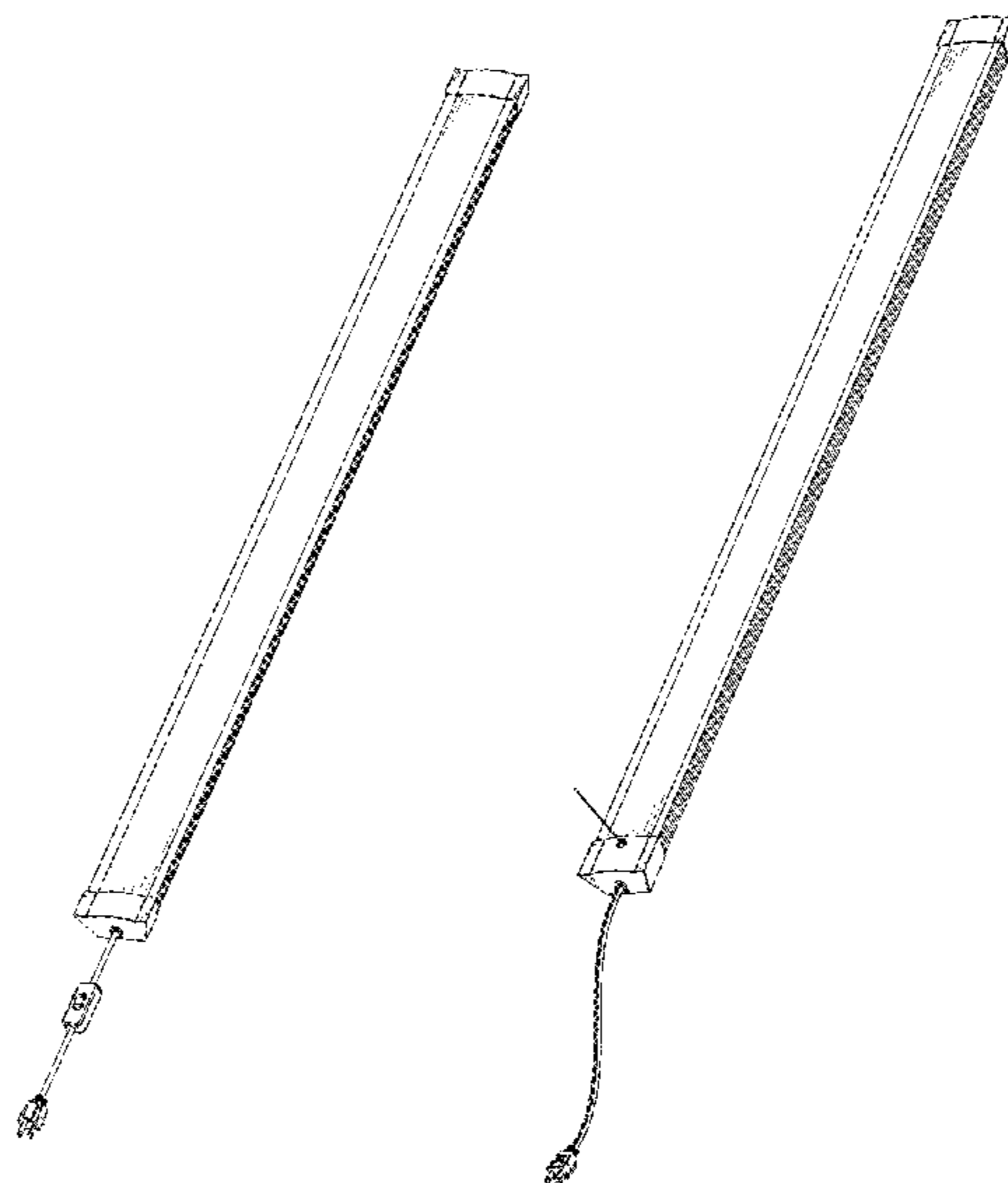
FIG. 17 is a first perspective view thereof;

FIG. 18 is a second perspective view thereof;

FIG. 19 is an enlarged top plan view thereof; and,

FIG. 20 is an enlarged perspective view showing a portion of the second embodiment taken from the encircled area 20 shown in FIG. 18.

**1 Claim, 20 Drawing Sheets**



(58) **Field of Classification Search**

CPC ..... F21Y 2103/00; F21S 8/04; F21S 8/033;  
F21S 8/03; H05B 47/165; F21V 15/01

See application file for complete search history.

D885,634 S \* 5/2020 Bhavanbhai Patel ..... D26/76  
D898,976 S \* 10/2020 Xu ..... D26/76

OTHER PUBLICATIONS

Sunco Lighting LED Shop Light, available in Amazon.com, date first available Jan. 24, 2017 [online], [site visited Aug. 3, 2022], Available from the internet URL: <https://a.co/d/62XHOAu> (Year: 2017).\*

Linear Vapor Tight Light Fixture, available in engproducts.com, announced Year 2020 [online], [site visited Aug. 23, 2022], Internet URL: <https://www.engproducts.com/products/lighting/linear-luminaires/t5-and-t8-led-and-fluorescent-linear-luminaires/narrow-body-t5-and-t8-led-and-fluorescent-luminaires> (Year: 2020).\*

Suspended Linear Office Light, available in superiorlighting.com, announced Year 2019 [online], [site visited Aug. 23, 2022], Internet URL: <https://tinyurl.com/2kn7r3w5> (Year: 2019).\*

\* cited by examiner

(56) **References Cited**

U.S. PATENT DOCUMENTS

D526,737 S \* 8/2006 Noh ..... D26/78  
D604,447 S \* 11/2009 Klaus ..... D26/78  
D663,065 S \* 7/2012 Beghelli ..... D26/76  
D701,343 S \* 3/2014 Ng ..... D26/76  
D756,553 S \* 5/2016 Kim ..... D26/76  
D760,417 S \* 6/2016 Benensohn ..... D26/76  
D794,241 S \* 8/2017 Huyghe ..... D26/80  
D862,777 S \* 10/2019 Antony ..... D26/118  
D877,391 S \* 3/2020 Lin ..... D26/76

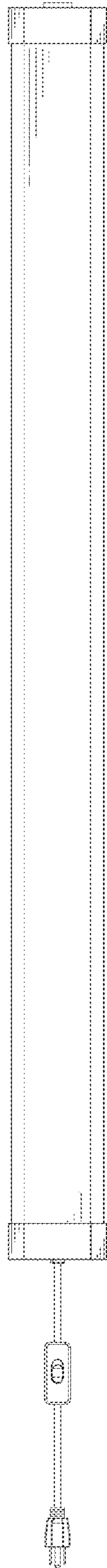


FIG. 1

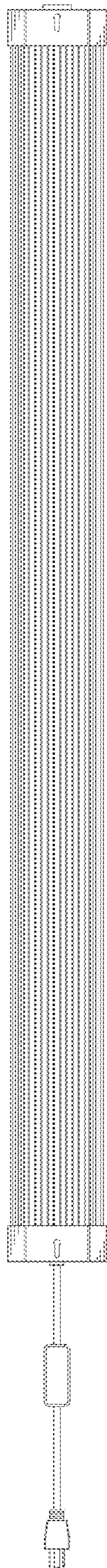


FIG. 2

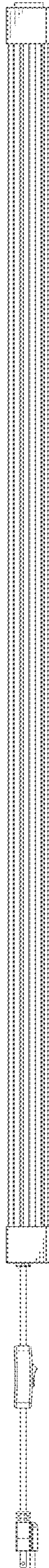


FIG. 3

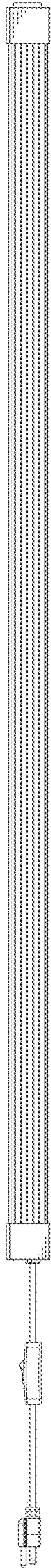


FIG. 4

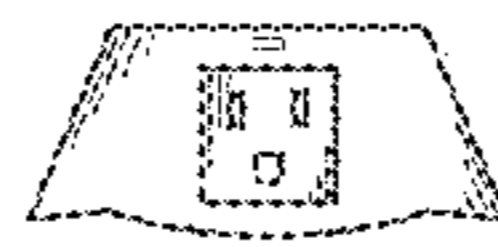


FIG. 5



FIG. 6



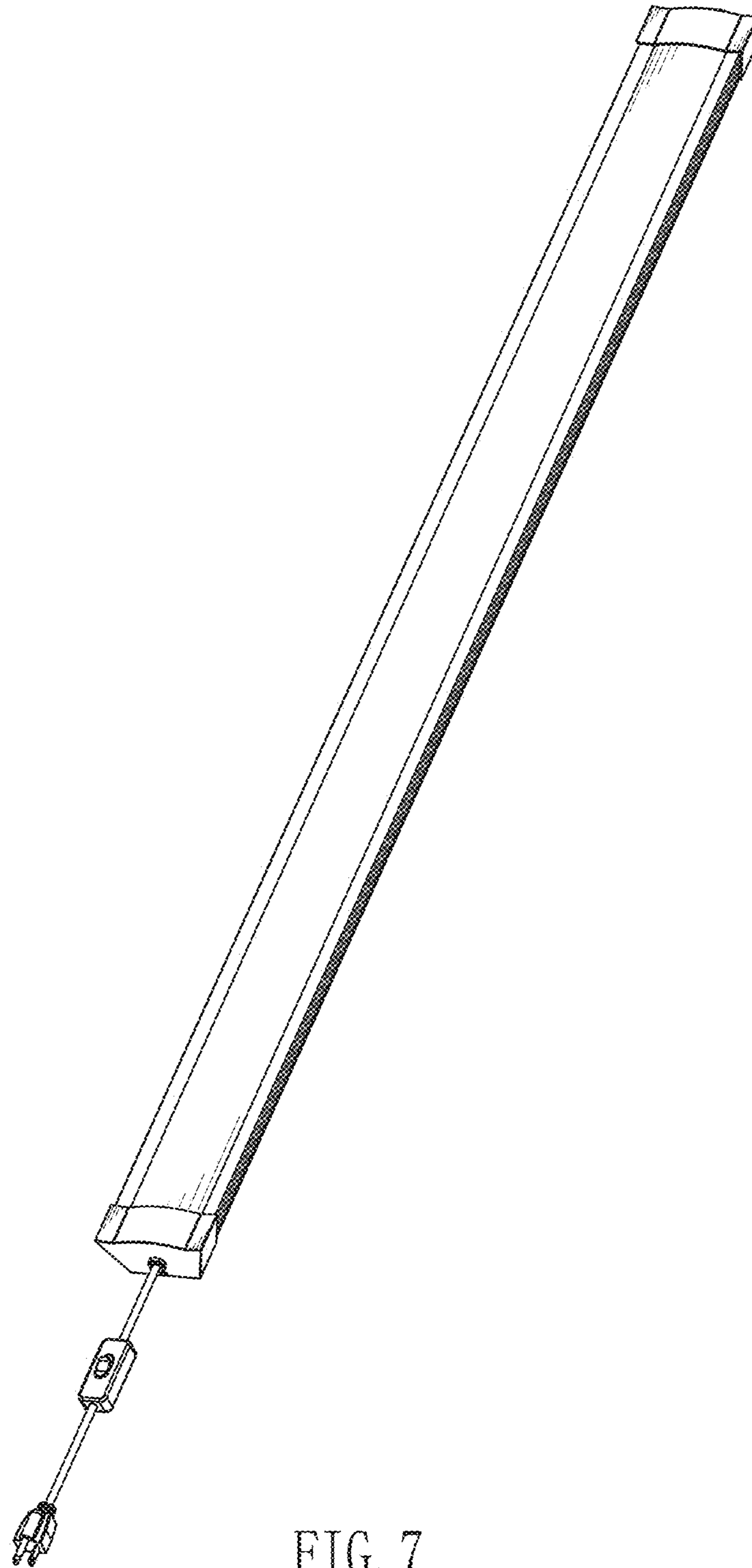


FIG. 7

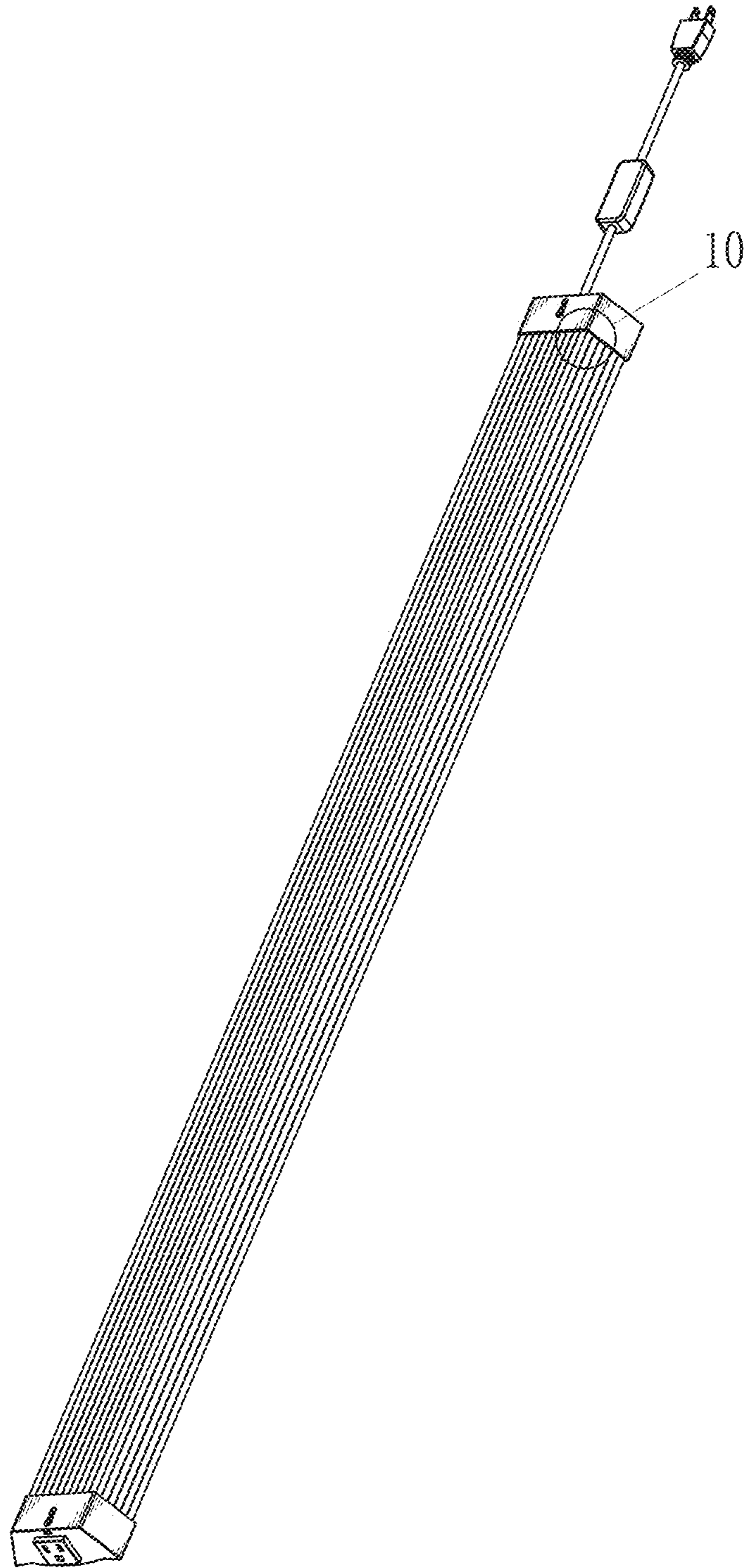


FIG. 8

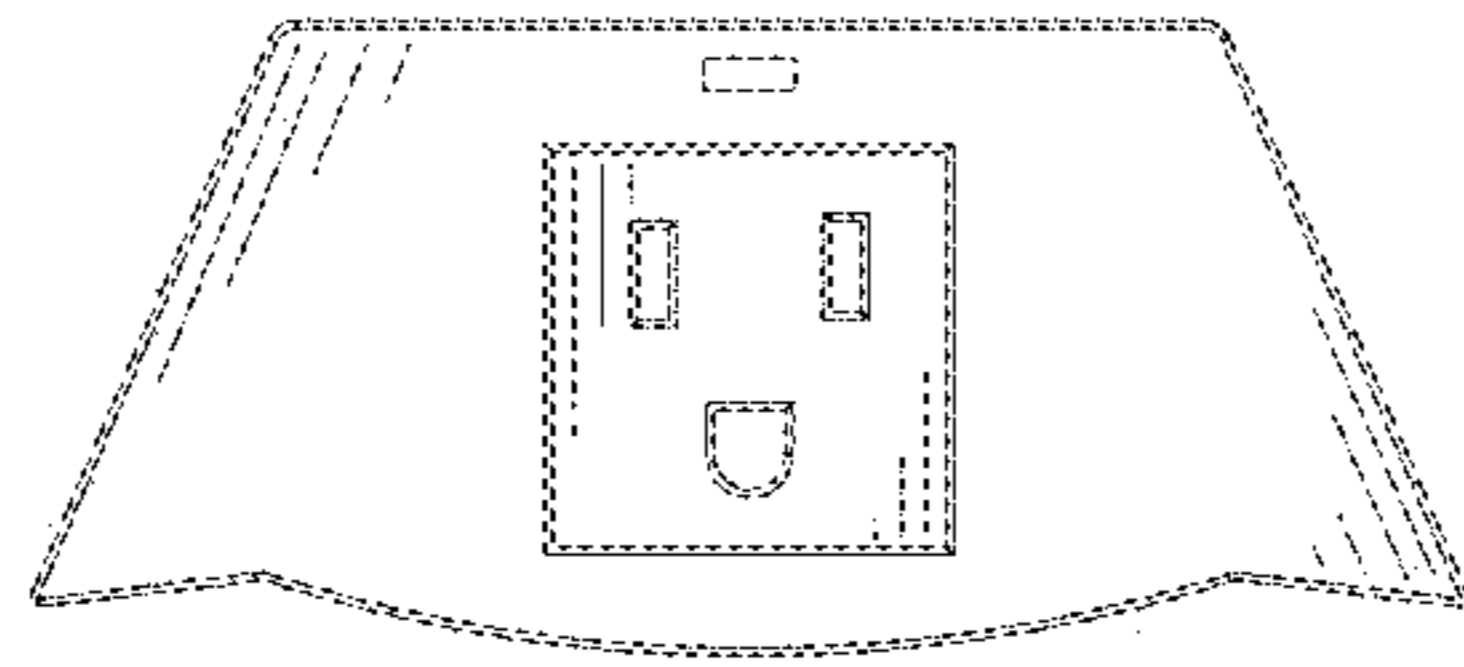


FIG. 9

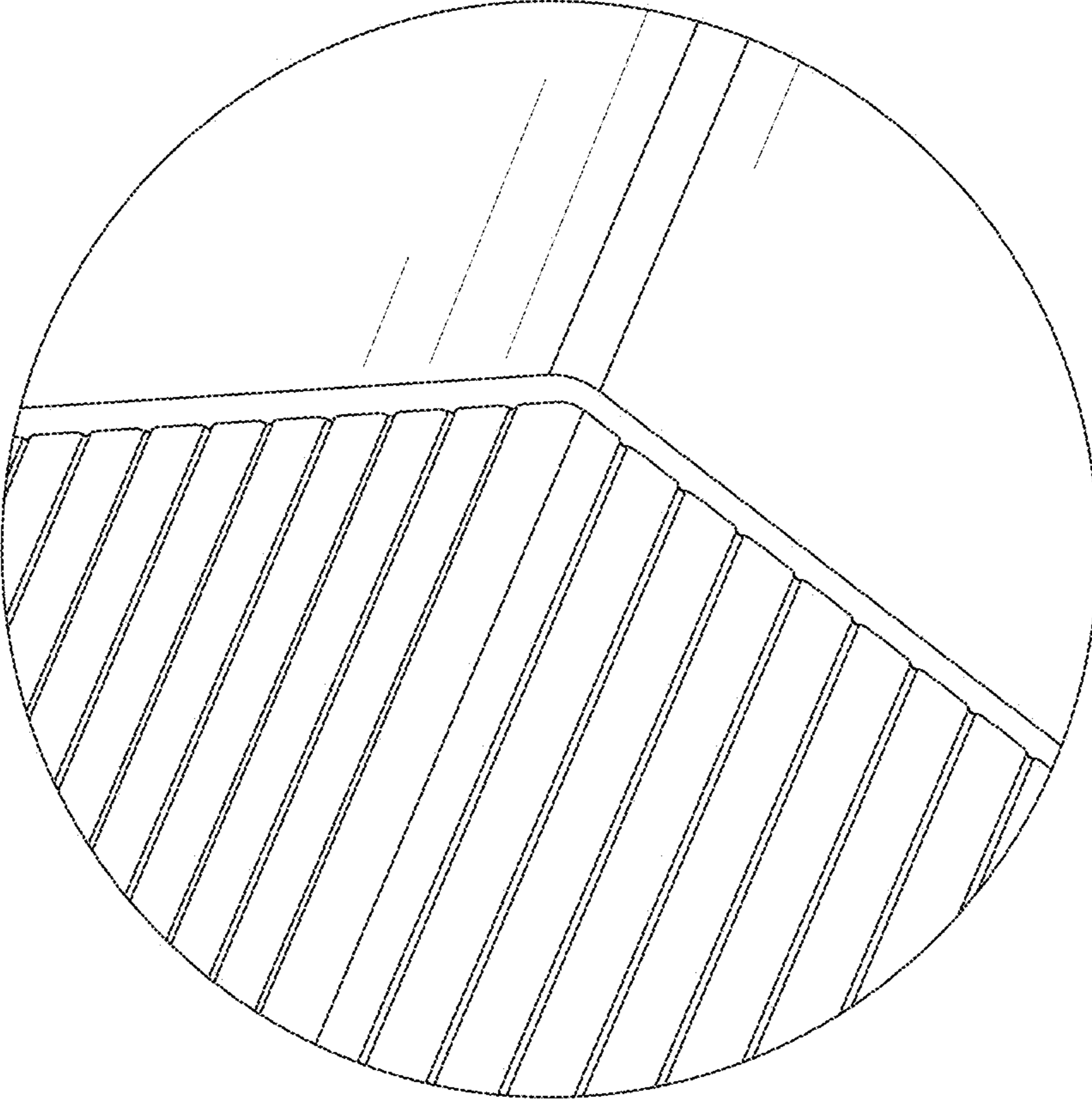


FIG. 10

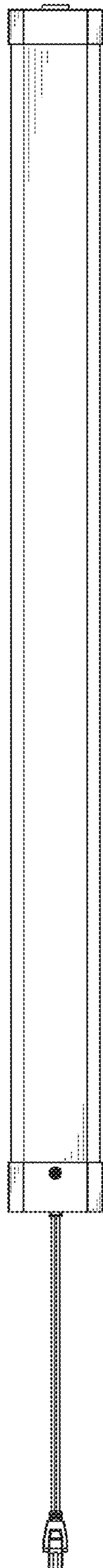


FIG. 11

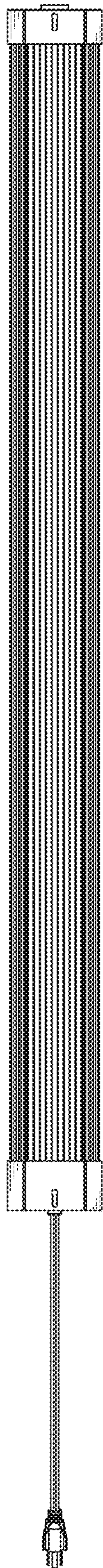


FIG. 12

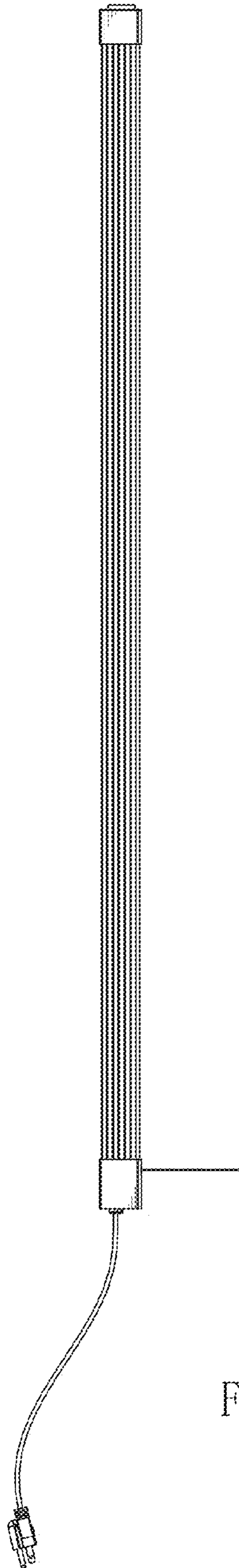


FIG. 13

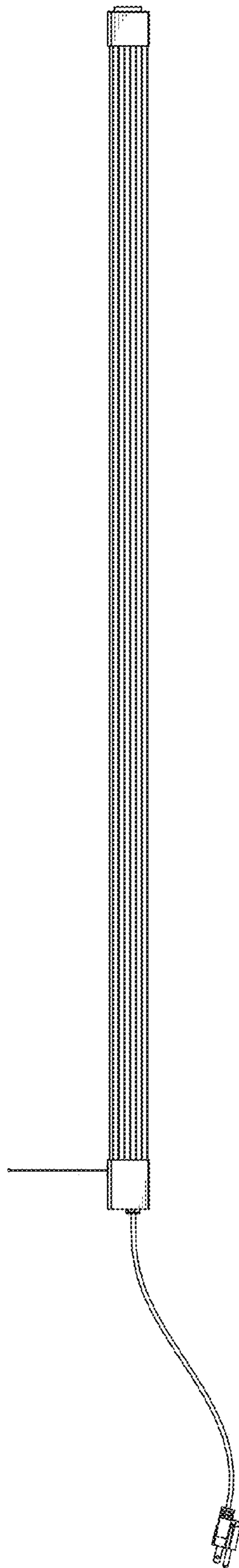


FIG. 14



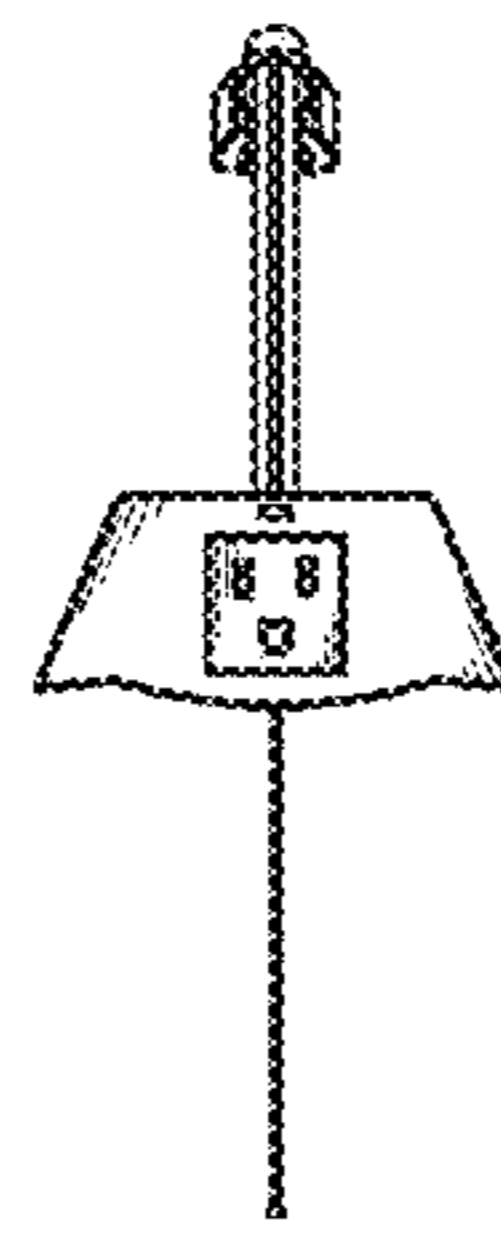


FIG. 15

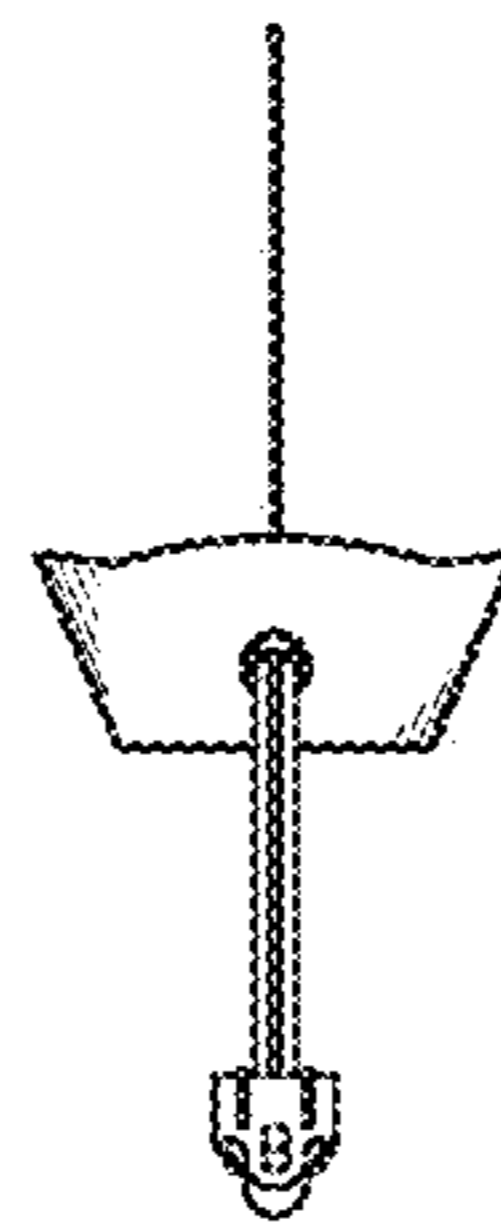


FIG. 16

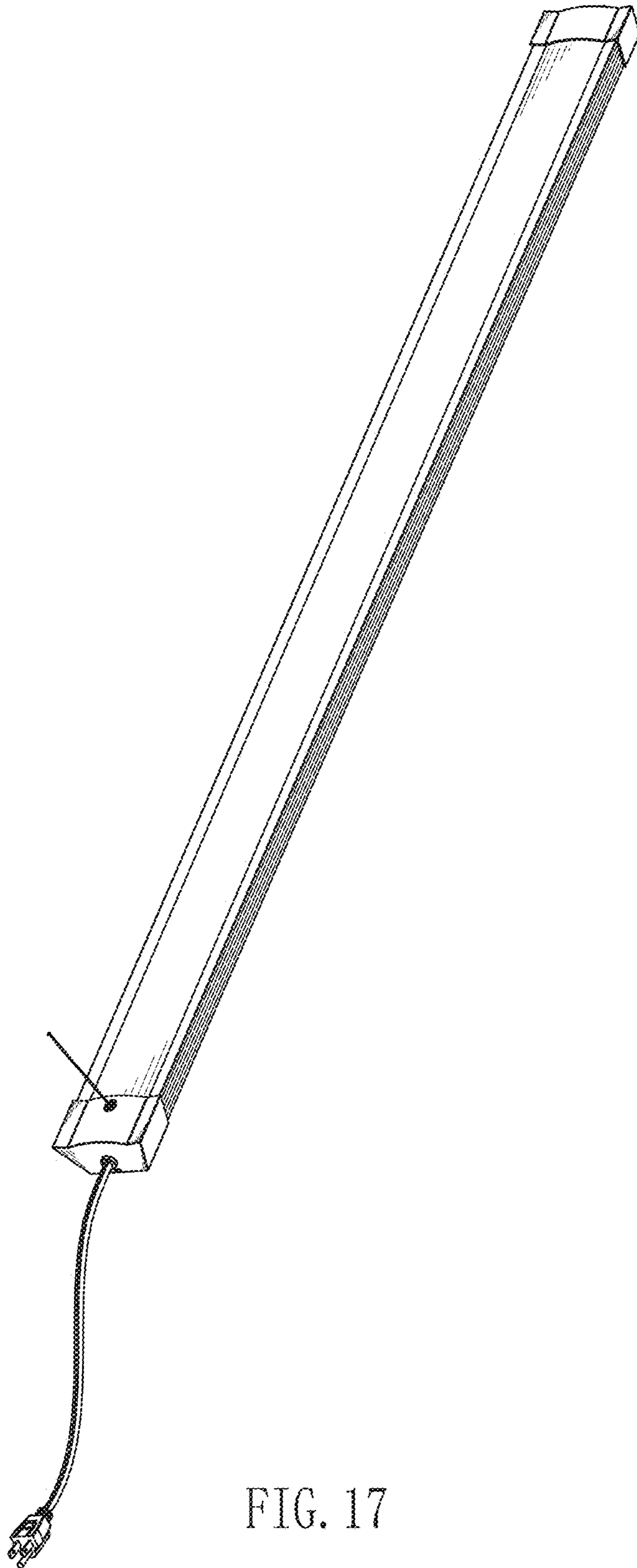


FIG. 17

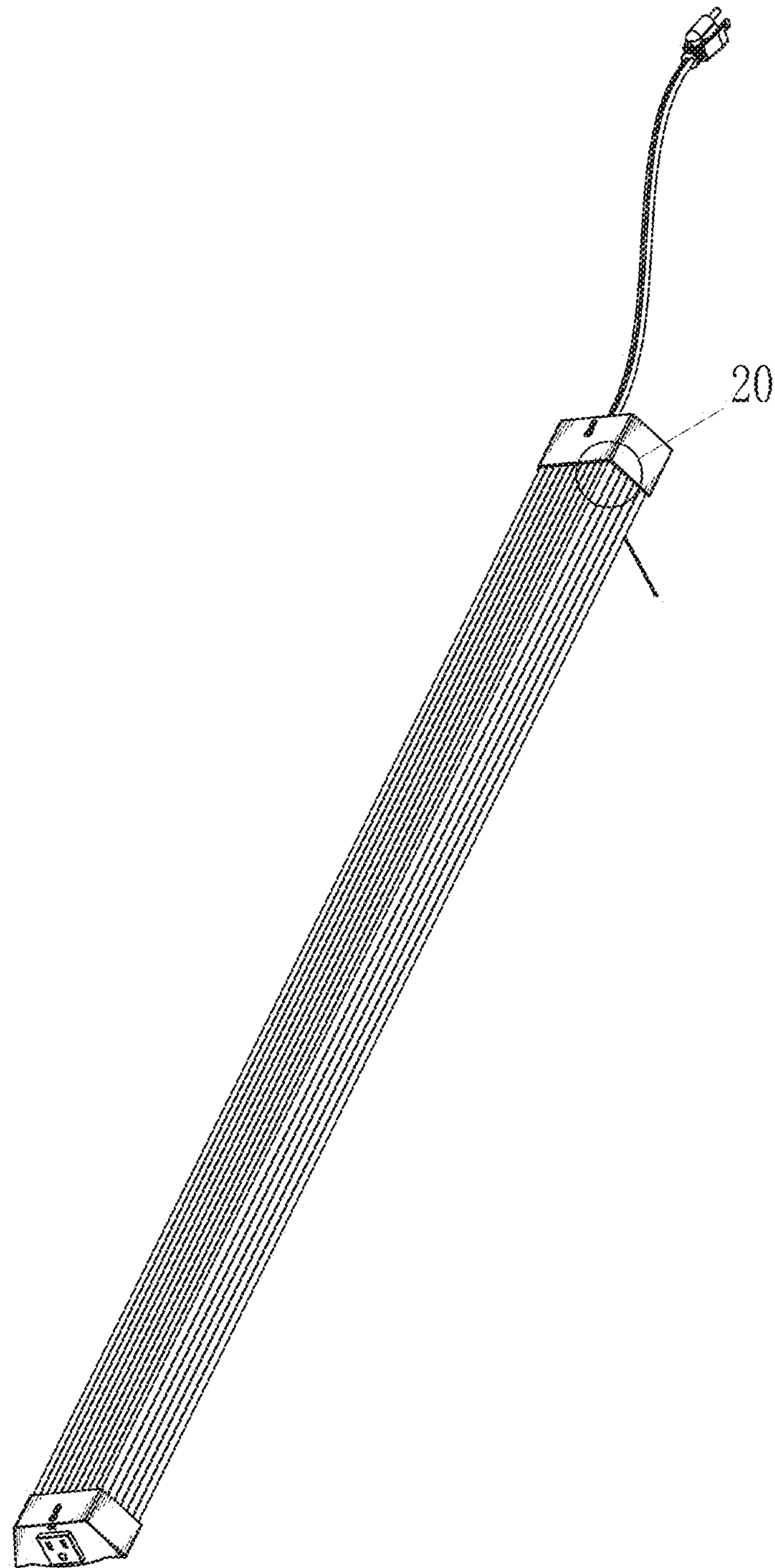


FIG. 18

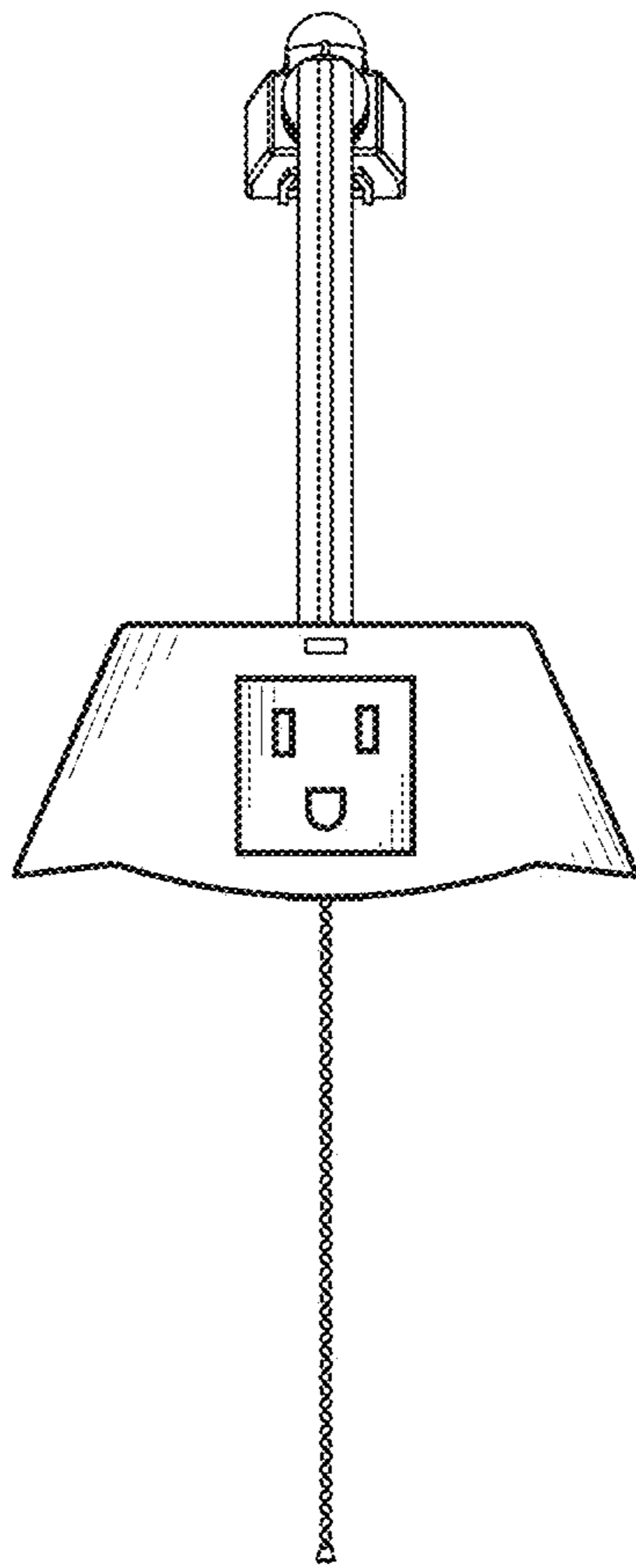


FIG. 19

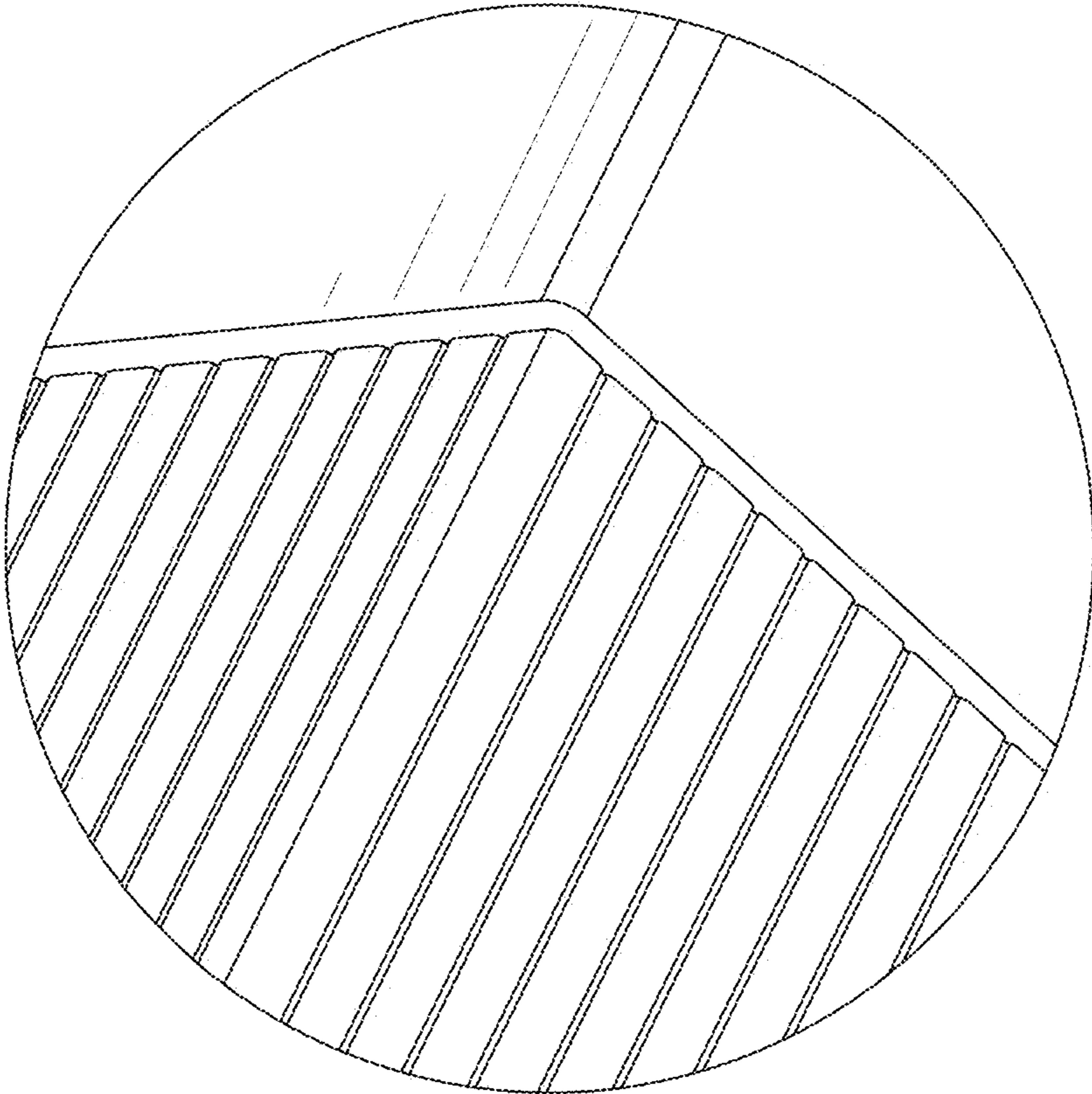


FIG. 20