



US00D969386S

(12) **United States Design Patent** (10) **Patent No.:** **US D969,386 S**
Li (45) **Date of Patent:** **** Nov. 8, 2022**

(54) **LIGHT FIXTURE**

(71) Applicant: **Xiamen Longstar Lighting Co., Ltd.**,
Fujian (CN)

(72) Inventor: **Xilong Li**, Fujian (CN)

(73) Assignee: **XIAMEN LONGSTAR LIGHTING CO., LTD.**, Fujian (CN)

(**) Term: **15 Years**

(21) Appl. No.: **29/775,474**

(22) Filed: **Mar. 23, 2021**

(30) **Foreign Application Priority Data**

Dec. 18, 2020 (CN) 202030783096.X

(51) **LOC (13) Cl.** **26-04**

(52) **U.S. Cl.**
USPC **D26/76**

(58) **Field of Classification Search**

USPC D26/24, 51, 72, 76, 78, 89, 118, 120;
362/223, 217.01

CPC F21Y 2103/00; F21S 8/04; F21S 8/033;
F21S 8/03; H05B 47/165; F21V 15/01

See application file for complete search history.

(56) **References Cited**

U.S. PATENT DOCUMENTS

D596,778 S *	7/2009	Yamazato	D26/76
D663,467 S *	7/2012	Apetauer	D26/74
D670,849 S *	11/2012	Lay	D26/74
D678,597 S *	3/2013	Lehman	D26/120
D697,652 S *	1/2014	Savani	D26/76
D747,529 S *	1/2016	Yoon	D26/74
9,416,954 B2 *	8/2016	Miller	F21V 7/00
D770,083 S *	10/2016	Clark	D26/120
D780,974 S *	3/2017	Scribante	D26/76
D819,861 S *	6/2018	Scribante	D26/76
D830,603 S *	10/2018	Luo	D26/74

(Continued)

FOREIGN PATENT DOCUMENTS

CN 305105436 * 4/2019

OTHER PUBLICATIONS

HYPERLITE Enterprise-Grade 4FT LED High Bay Shop Light, available in Amazon.com, date first available Sep. 19, 0219 [online], [site visited Aug. 3, 2022], Available from the internet URL: <https://a.co/d/2kHtCdA> (Year: 2019).*

(Continued)

Primary Examiner — Brett Miller

Assistant Examiner — Jasmine L. Comedy

(74) *Attorney, Agent, or Firm* — Cooper Legal Group LLC

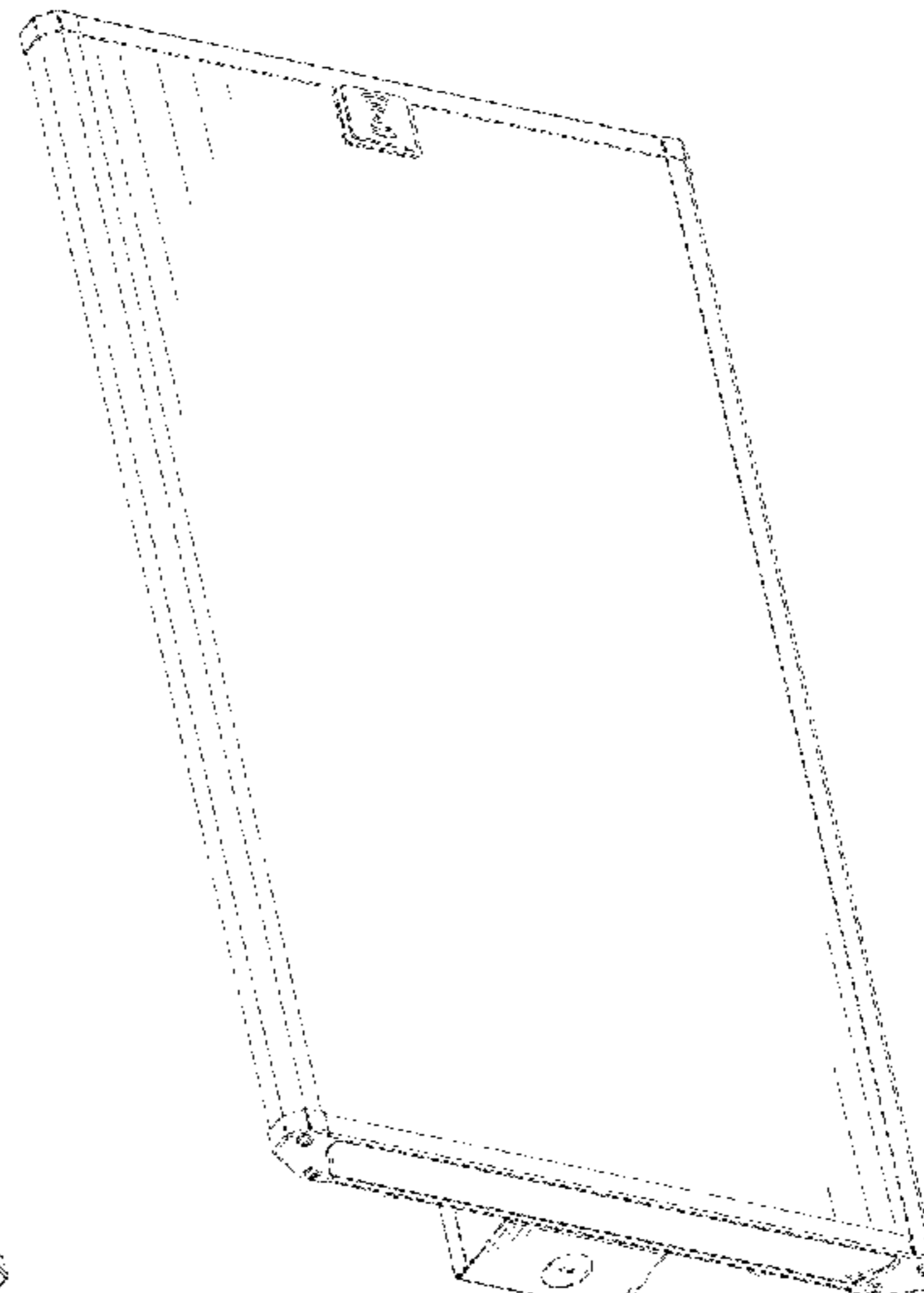
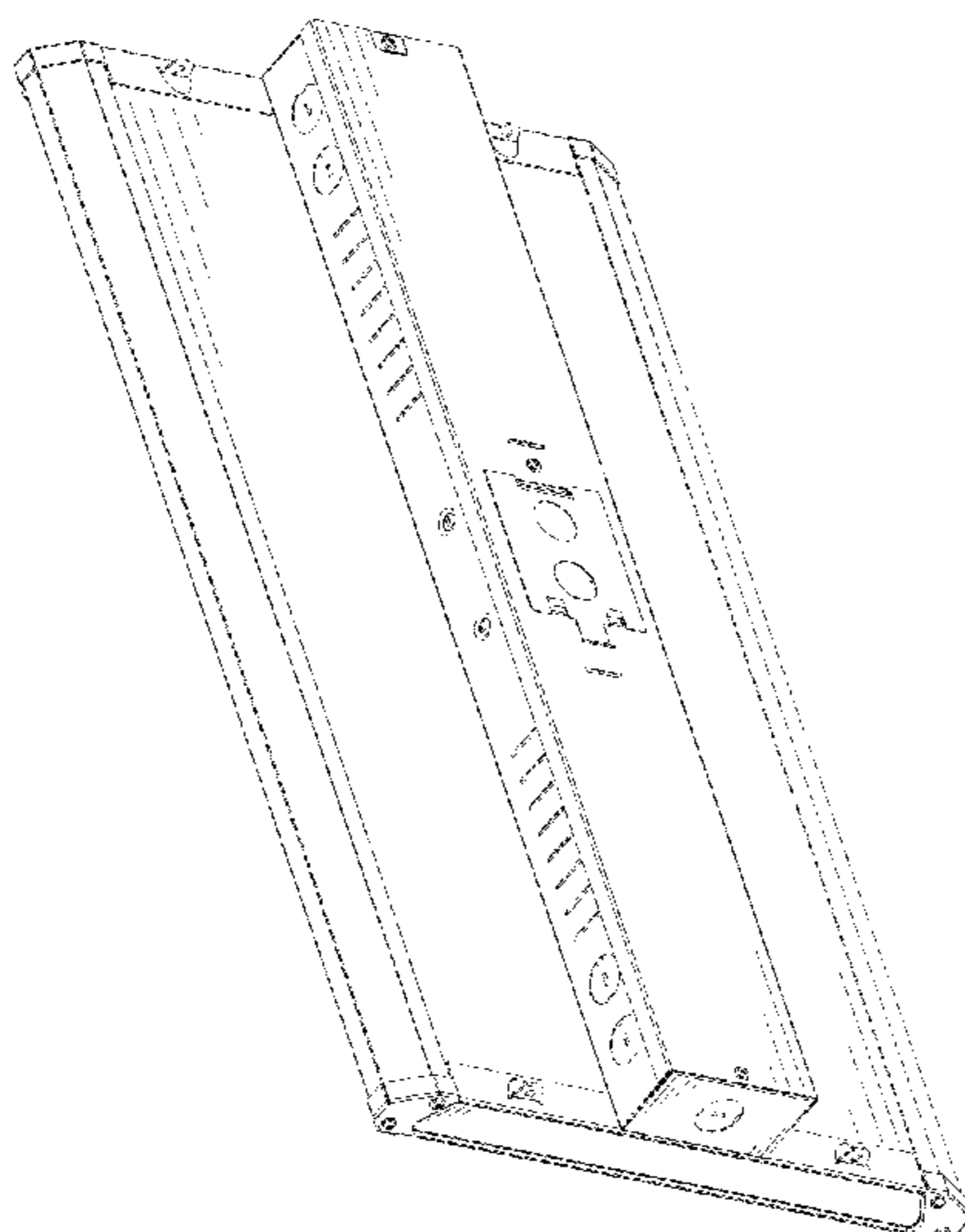
(57) **CLAIM**

The ornamental design for a light fixture, as shown and described.

DESCRIPTION

FIG. 1 is a front elevation view of a light fixture showing a first embodiment of the new design; FIG. 2 is a rear elevation view thereof; FIG. 3 is a left side elevation view thereof; FIG. 4 is a right side elevation view thereof; FIG. 5 is a top plan view thereof; FIG. 6 is a bottom plan view thereof; FIG. 7 is a first perspective view thereof; FIG. 8 is a second perspective view thereof; FIG. 9 is a front elevation view of the light fixture showing a second embodiment of the new design; FIG. 10 is a rear elevation view thereof; FIG. 11 is a left side elevation view thereof; FIG. 12 is a right side elevation view thereof; FIG. 13 is a top plan view thereof; FIG. 14 is a bottom plan view thereof; FIG. 15 is a first perspective view thereof; and, FIG. 16 is a second perspective view thereof.

1 Claim, 16 Drawing Sheets



(56)

References Cited

U.S. PATENT DOCUMENTS

D833,663 S * 11/2018 Stromborg D26/74
D850,699 S * 6/2019 Xu D26/76
D884,239 S * 5/2020 Niemiec D26/59
D889,723 S * 7/2020 Lau D26/76
10,845,037 B2 * 11/2020 Amin F21S 8/06
2019/0257481 A1 * 8/2019 Patel F21V 17/107

OTHER PUBLICATIONS

2FT LED High Bay, available in warehouse-lighting.com, announced Year 2016 [online], [site visited Aug. 31, 2022], Internet URL: <https://www.warehouse-lighting.com/products/2ft-led-high-bay-90-watt-11790-lumens-4000k-comparable-to-4-lamp-t5-6-lamp-32w-t8-or-250-watt-hid> (Year: 2016).*

* cited by examiner

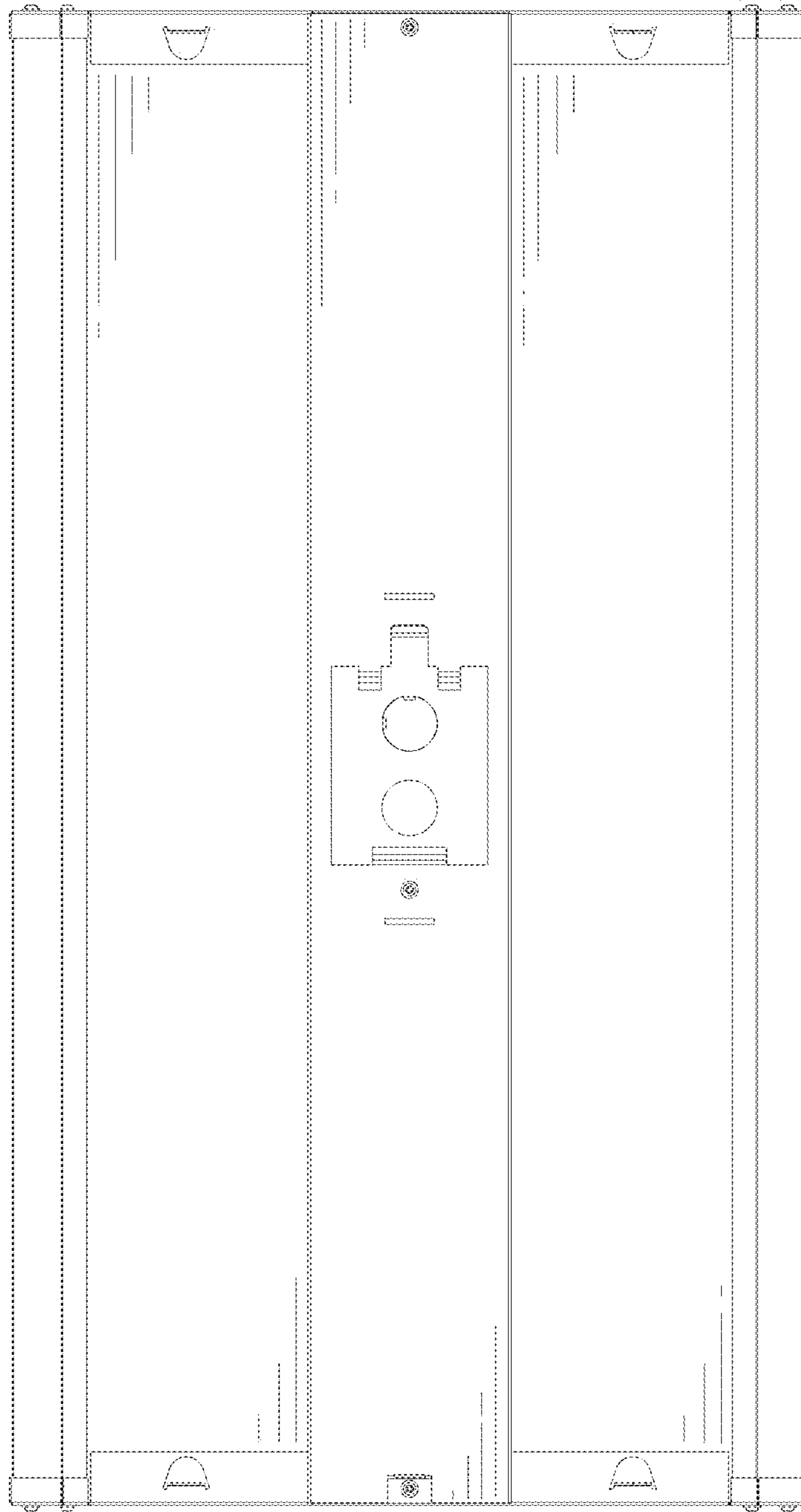


FIG. 1

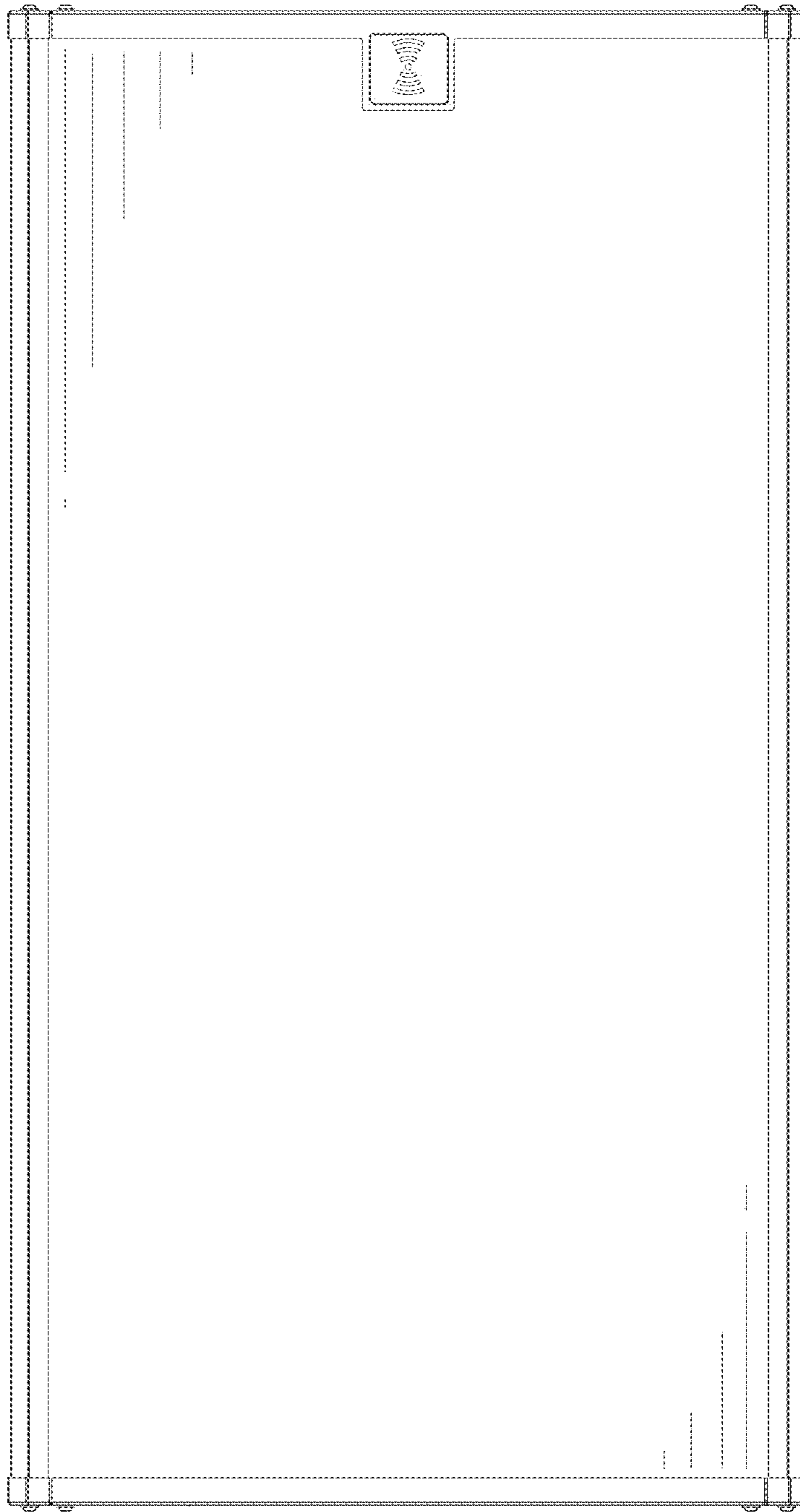


FIG. 2

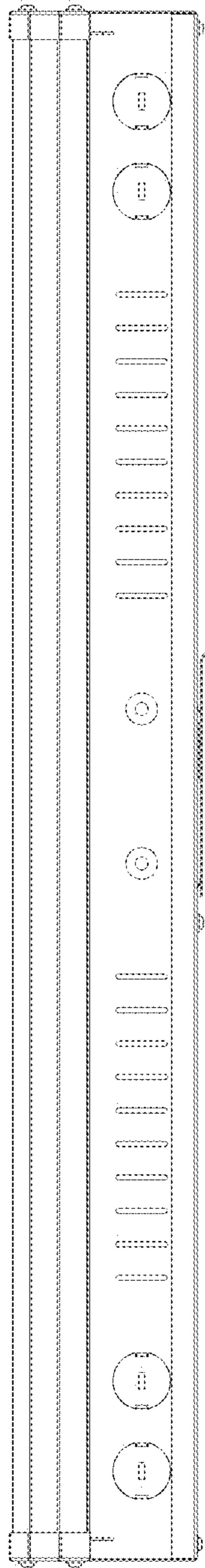


FIG. 3

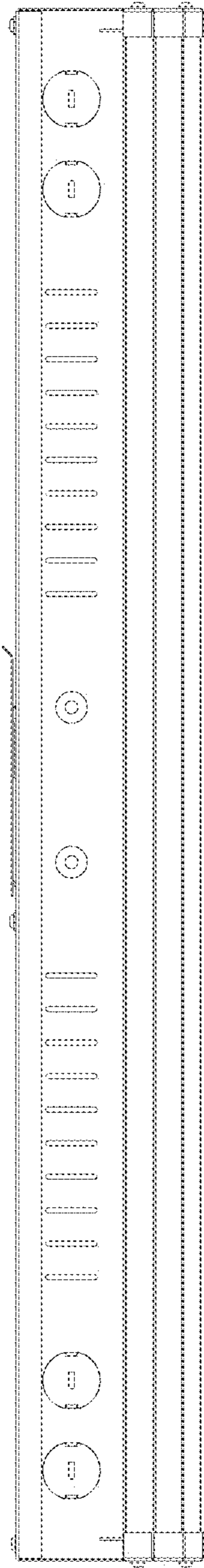


FIG. 4

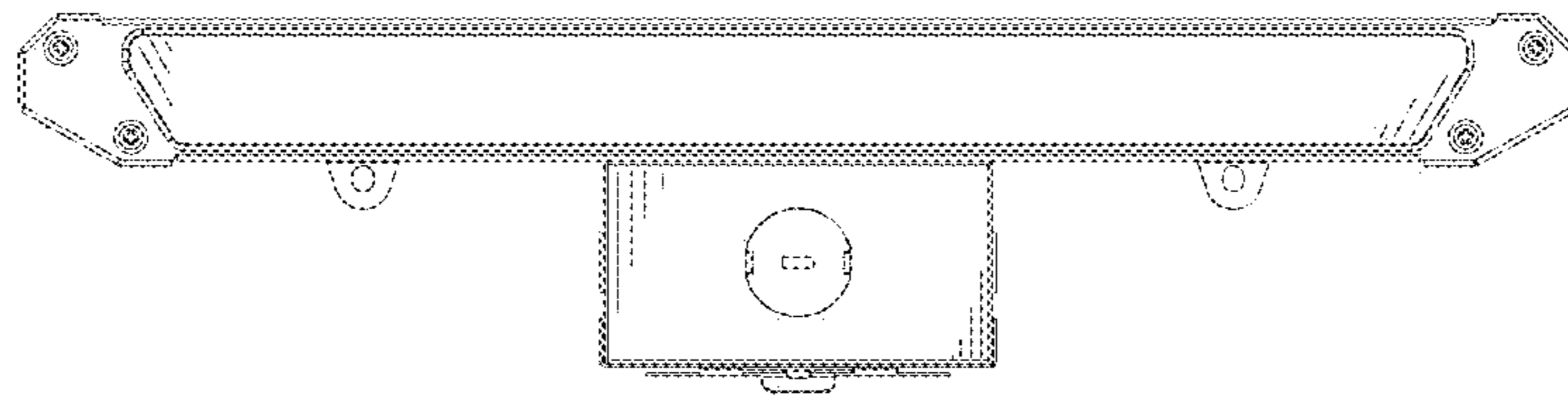


FIG. 5

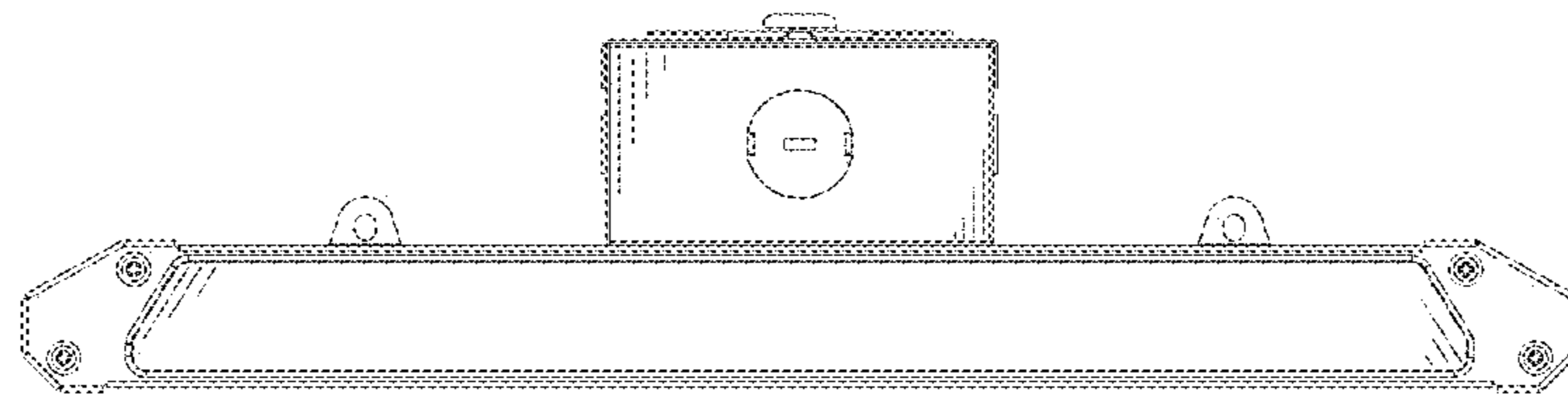


FIG. 6

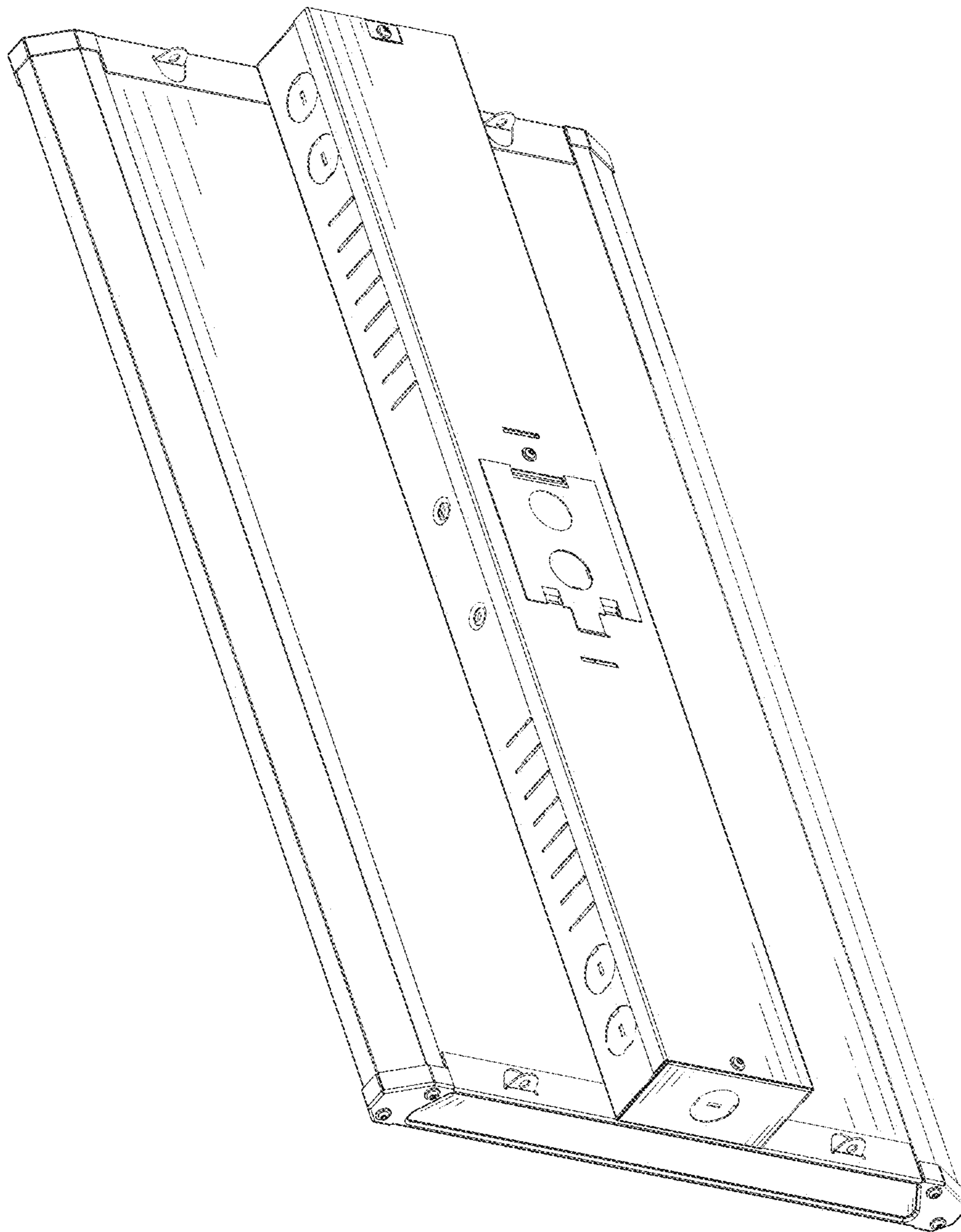


FIG. 7

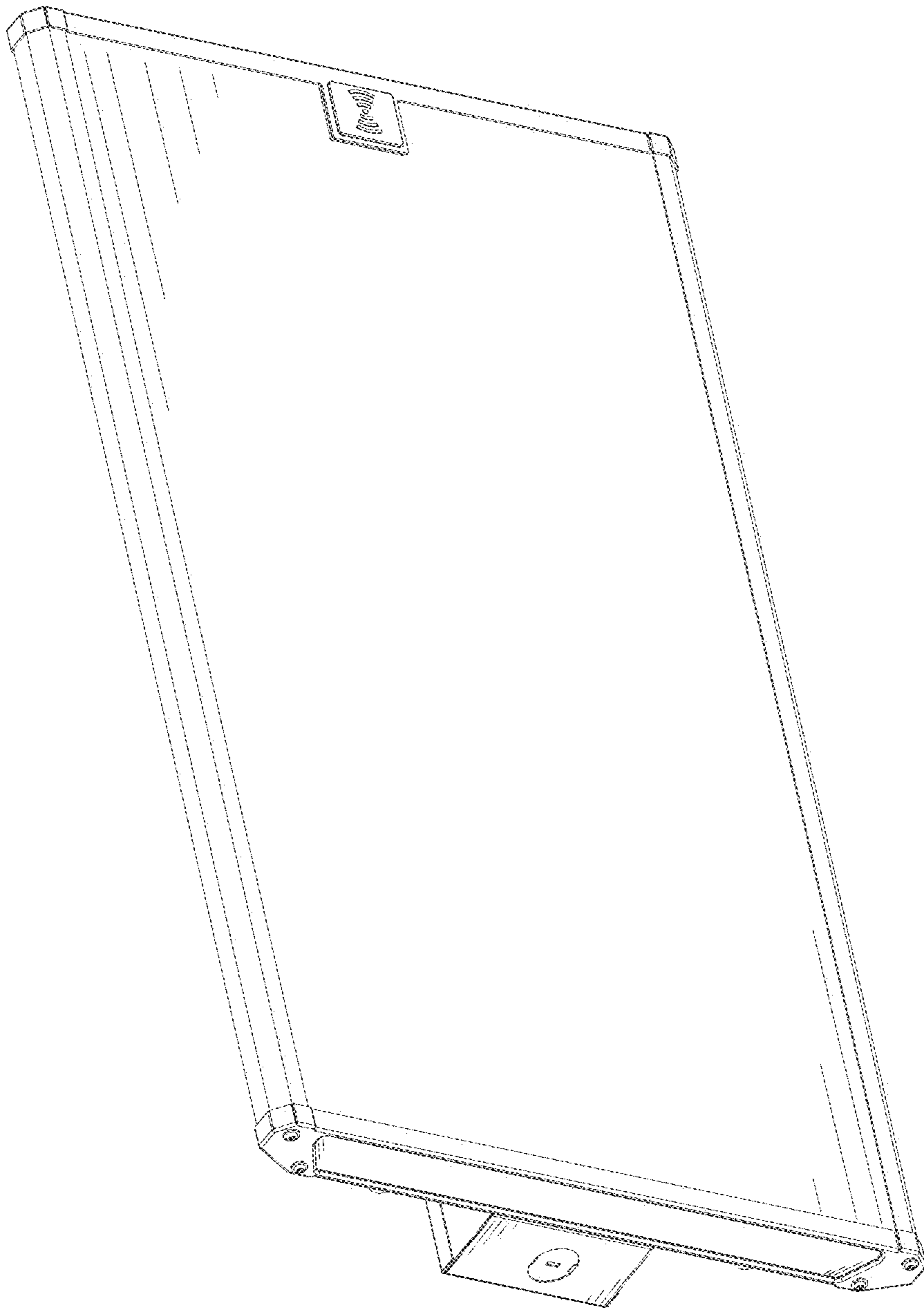


FIG. 8

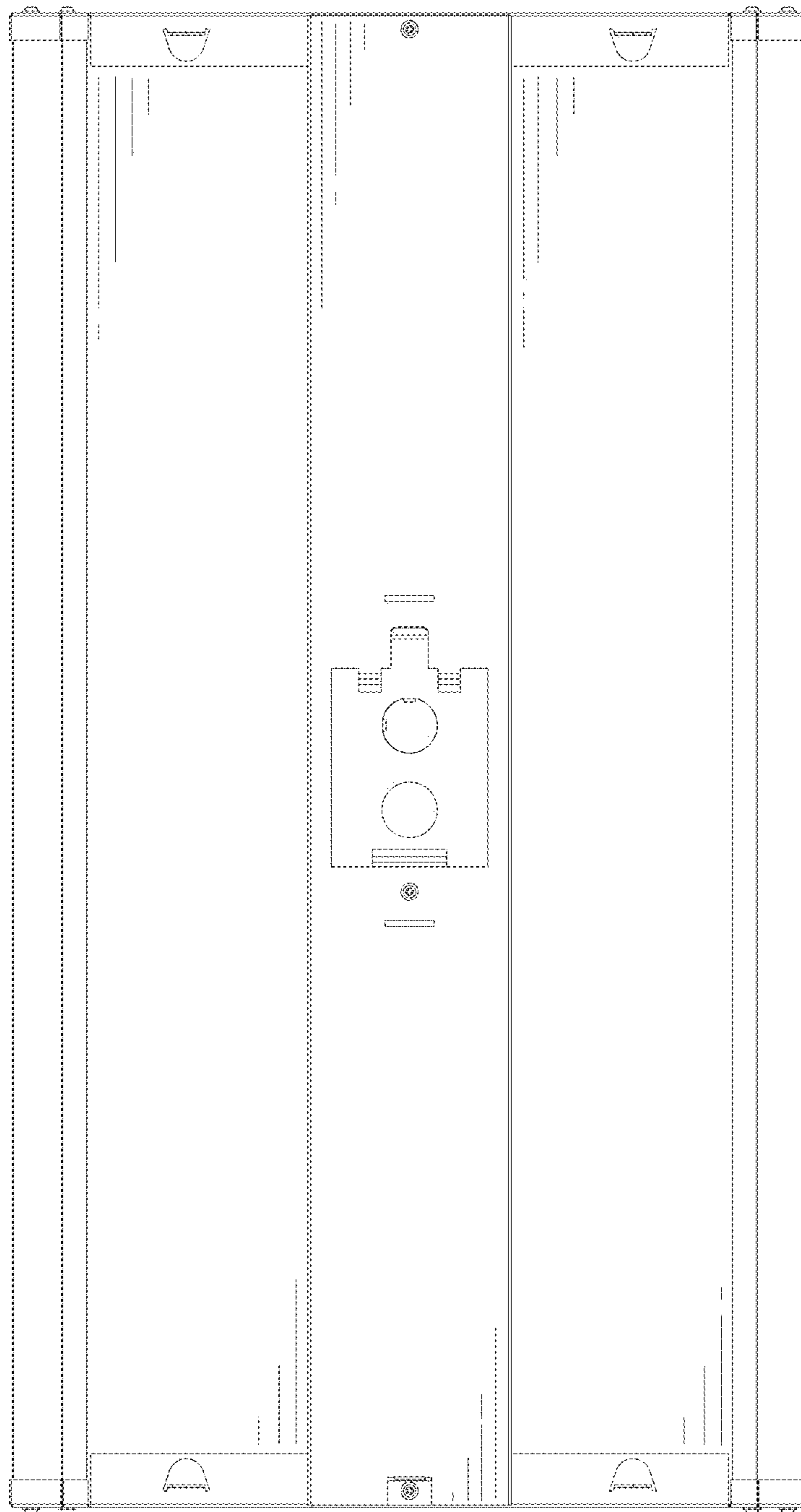


FIG. 9

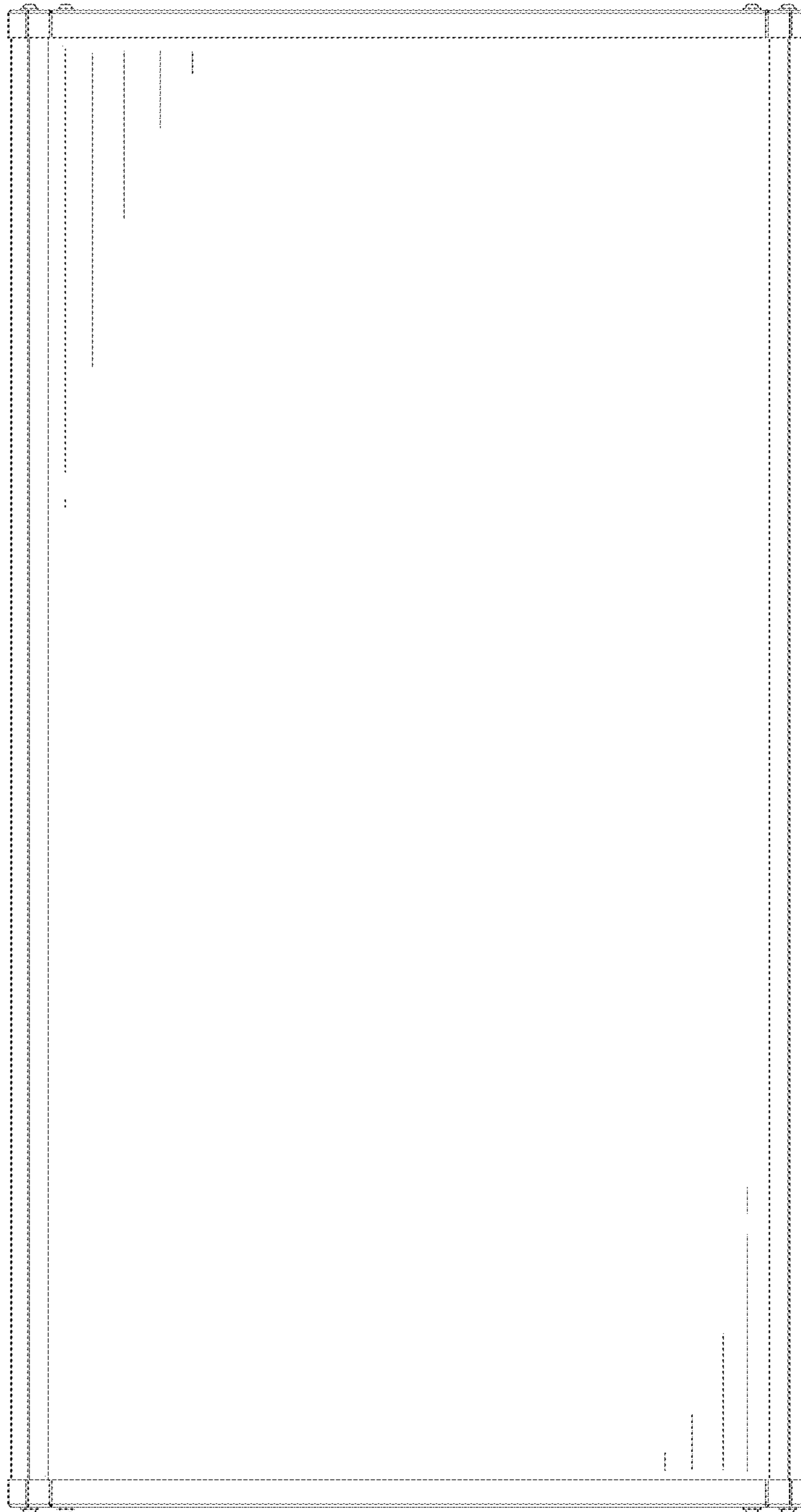


FIG. 10

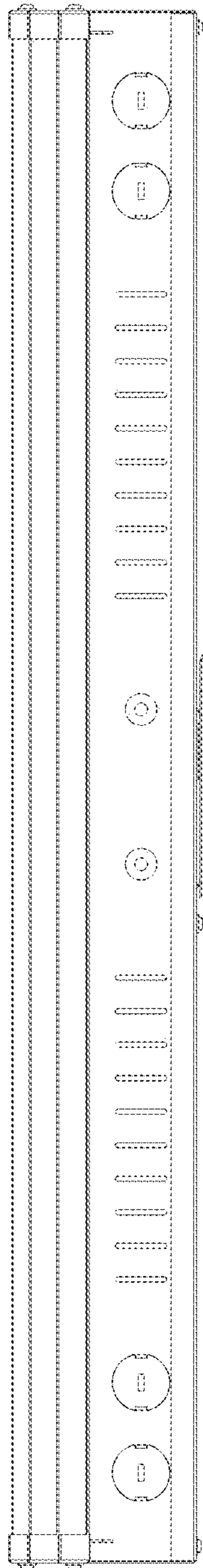


FIG. 11

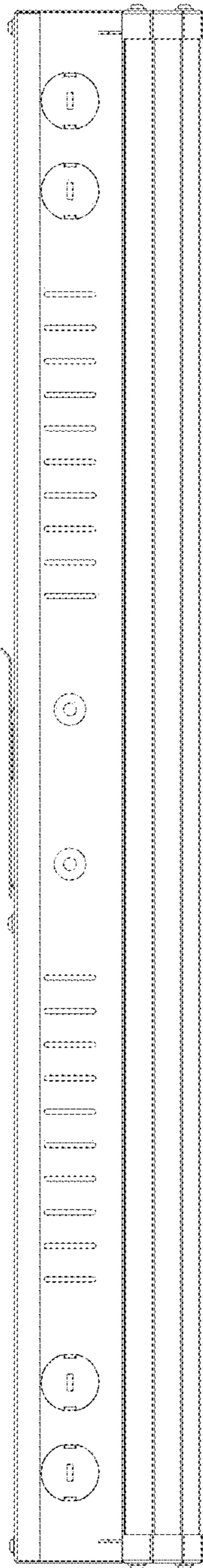


FIG. 12

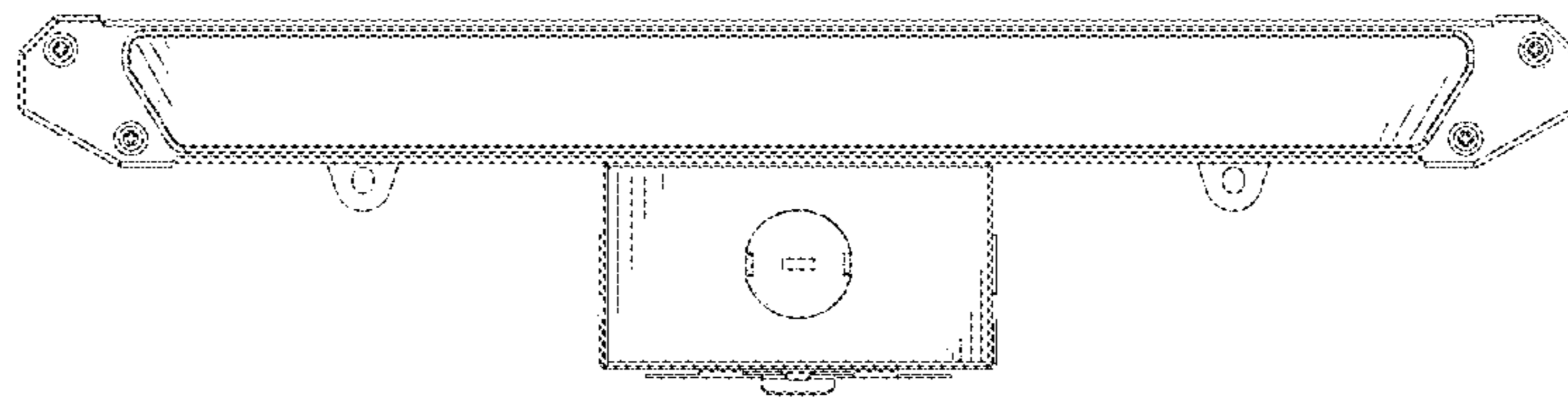


FIG. 13

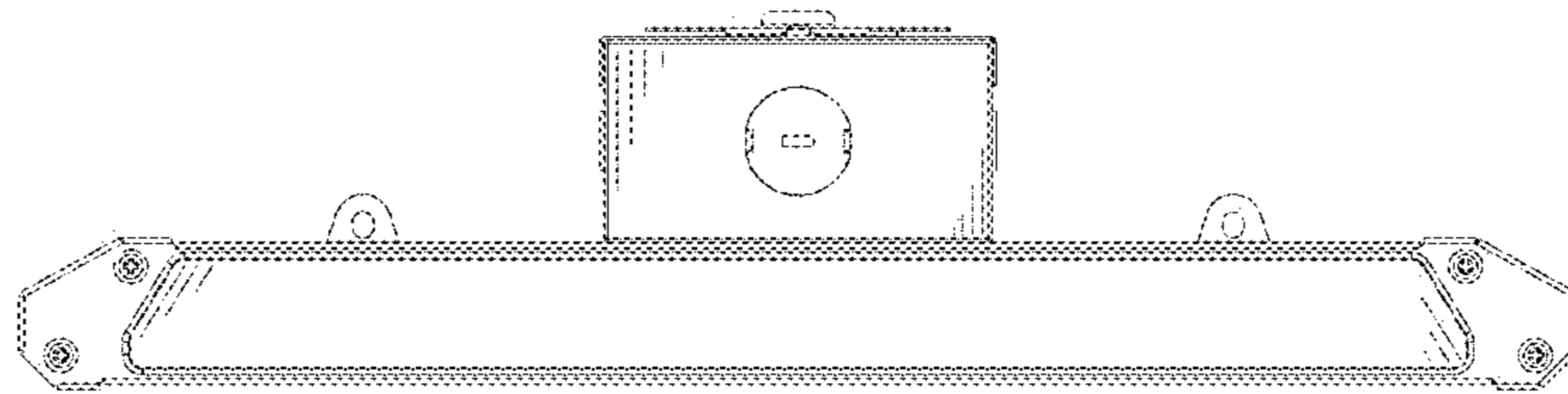


FIG. 14

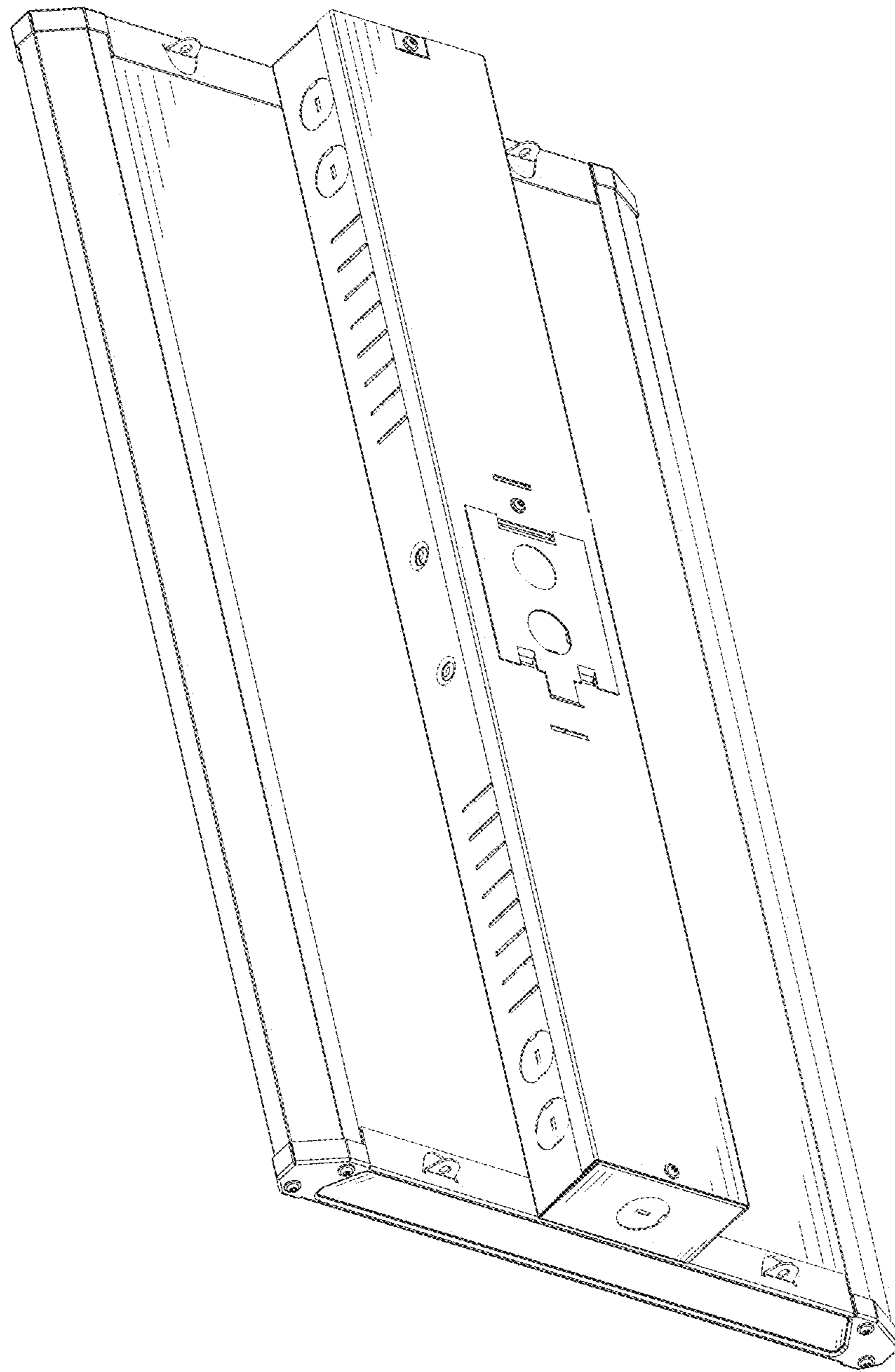


FIG. 15

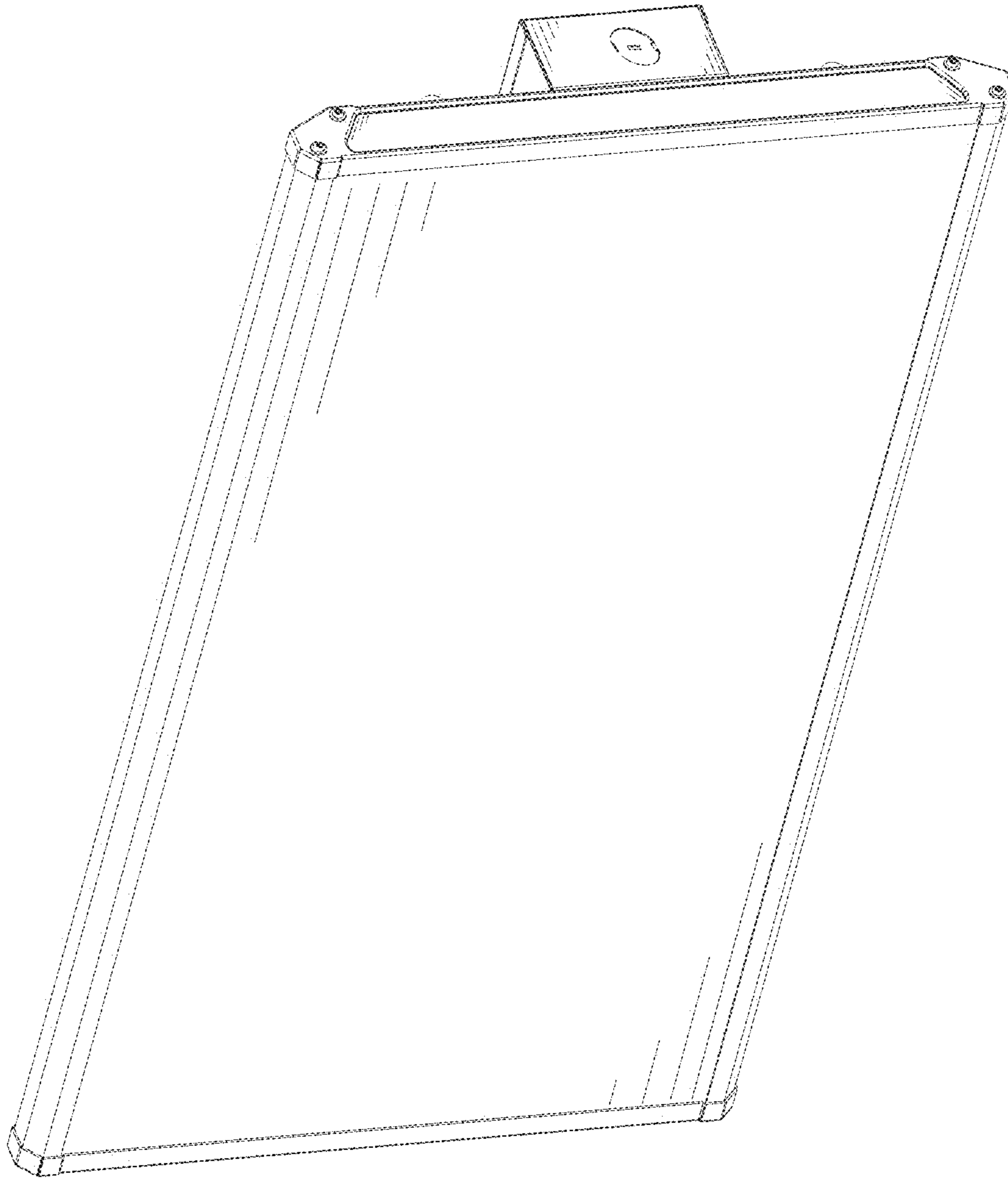


FIG. 16