



US00D969385S

(12) **United States Design Patent** (10) **Patent No.:** **US D969,385 S**
Li (45) **Date of Patent:** **** Nov. 8, 2022**

(54) **LIGHT FIXTURE**

FOREIGN PATENT DOCUMENTS

(71) Applicant: **Xiamen Longstar Lighting Co., Ltd.**,
Fujian (CN)

CN 305105436 * 4/2019

(72) Inventor: **Xilong Li**, Fujian (CN)

OTHER PUBLICATIONS

(73) Assignee: **XIAMEN LONGSTAR LIGHTING CO., LTD.**, Fujian (CN)

FaithSail Linkable 4FT LED Low Bay Shop Light, available in Amazon.com, date first available Mar. 11, 2020 [online], [site visited Aug. 31, 2022], Available from the internet URL: <https://a.co/d/0ZcjmY2> (Year: 2020).*

(**) Term: **15 Years**

Heavy Duty Utility Shop Light, available in homedepot.com, announced Year 2018 [online], [site visited Aug. 31, 2022], URL: <https://www.homedepot.com/p/Commercial-Electric-4-ft-4-Light-80-Watt-Integrated-LED-Heavy-Duty-Utility-Gray-Shop-Light-with-Pull-Chain-Bright-White-SHOP-4X4-840-HD/306224339#overlay> (Year: 2018).*

(21) Appl. No.: **29/775,473**

(22) Filed: **Mar. 23, 2021**

PrimeLights 4 Bulb / Lamp T8 LED High Bay Utility Shop Garage Warehouse Light Fixture, available in primelights.com, announced Year 2020 [online], [site visited Aug. 31, 2022], Internet URL: <https://tinyurl.com/6ayzzbyt> (Year: 2020).*

(30) **Foreign Application Priority Data**

Nov. 26, 2020 (CN) 202030721693.X

(51) **LOC (13) Cl.** **26-04**

(52) **U.S. Cl.**
USPC **D26/76**

(58) **Field of Classification Search**
USPC D26/24, 51, 72, 76, 78, 89, 118, 120;
362/223, 217.01

CPC F21Y 2103/00; F21S 8/04; F21S 8/033;
F21S 8/03; H05B 47/165; F21V 15/01

See application file for complete search history.

* cited by examiner

Primary Examiner — Brett Miller

Assistant Examiner — Jasmine L. Comedy

(74) *Attorney, Agent, or Firm* — Cooper Legal Group LLC

(56) **References Cited**

(57) **CLAIM**

The ornamental design for a light fixture, as shown and described.

U.S. PATENT DOCUMENTS

DESCRIPTION

| | | | | |
|----------------|---------|------------|-------|-----------|
| D147,812 S * | 11/1947 | Picker | | D26/78 |
| D447,266 S * | 8/2001 | Verfuerrth | | D26/76 |
| D465,869 S * | 11/2002 | Bodell | | D26/78 |
| D494,700 S * | 8/2004 | Hartman | | D26/76 |
| D592,786 S * | 5/2009 | Bisberg | | D26/76 |
| D711,037 S * | 8/2014 | Lehman | | D26/77 |
| D723,206 S * | 2/2015 | Lewis, Jr. | | D26/72 |
| D757,325 S * | 5/2016 | Stanley | | D26/76 |
| D757,327 S * | 5/2016 | Reynolds | | D26/77 |
| 9,416,954 B2 * | 8/2016 | Miller | | F21V 7/00 |
| D822,873 S * | 7/2018 | Bobel | | D26/76 |
| D824,570 S * | 7/2018 | Bobel | | D26/76 |

FIG. 1 is a front elevation view of a light fixture showing the new design;

FIG. 2 is a rear elevation view thereof;

FIG. 3 is a left side elevation view thereof;

FIG. 4 is a right side elevation view thereof;

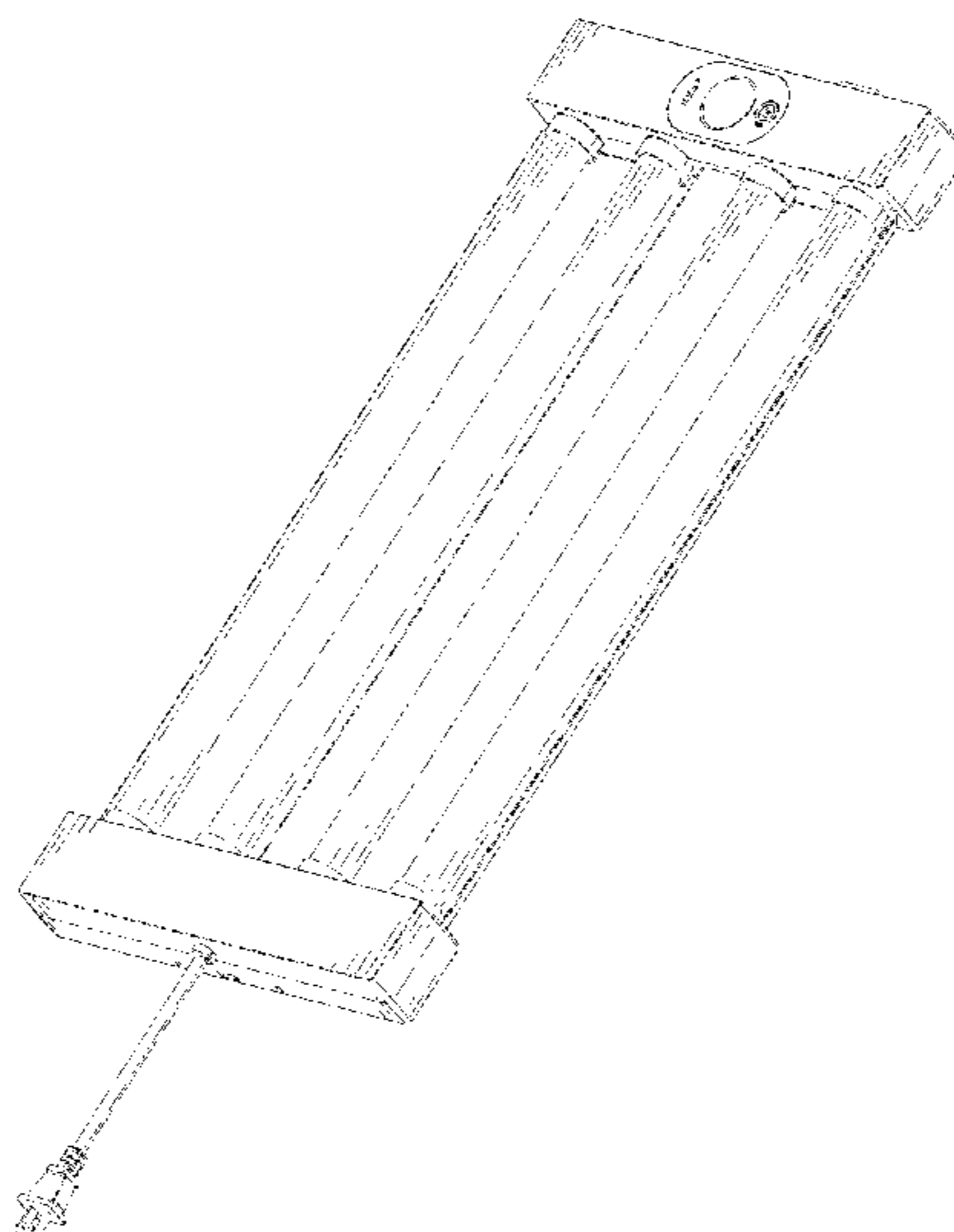
FIG. 5 is a top plan view thereof;

FIG. 6 is a bottom plan view thereof;

FIG. 7 is a first perspective view thereof; and,

FIG. 8 is a second perspective view thereof.

1 Claim, 8 Drawing Sheets



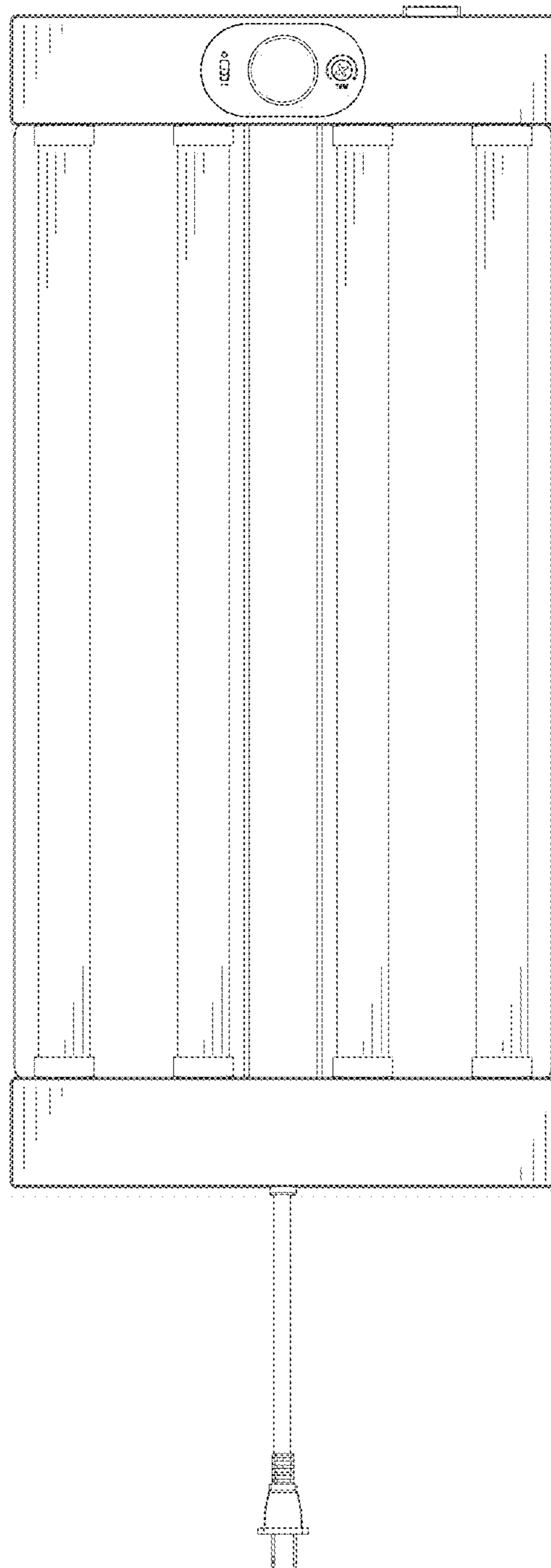


FIG. 1

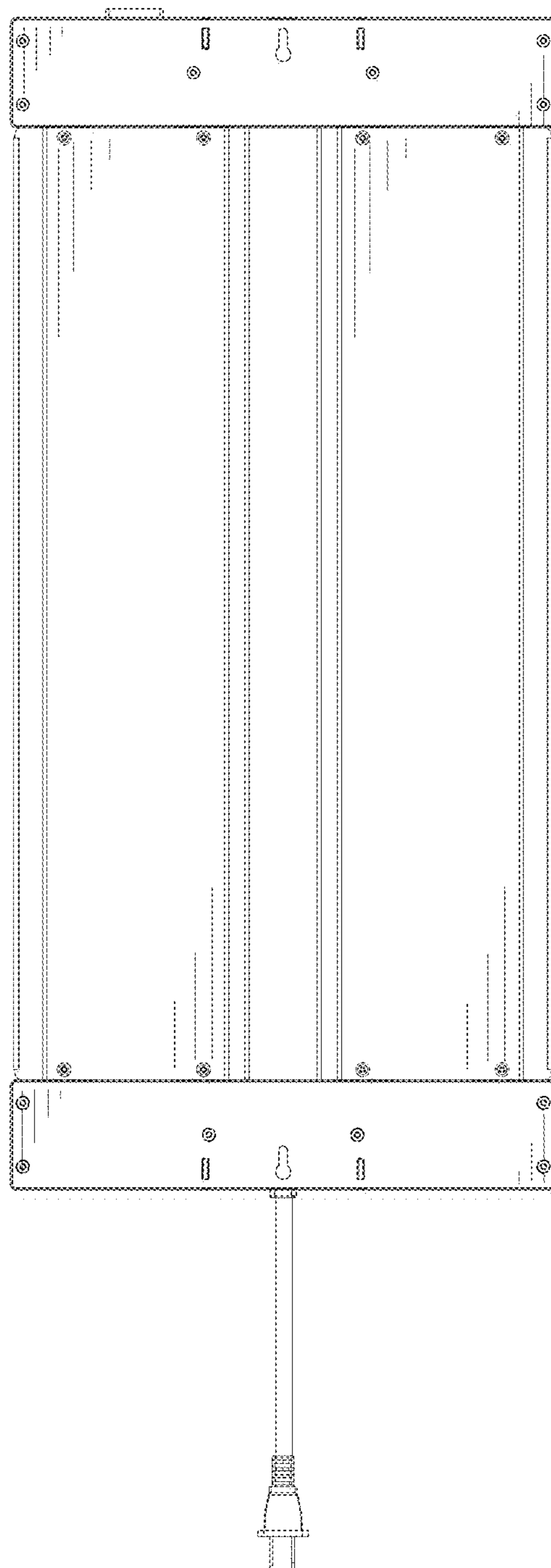


FIG. 2

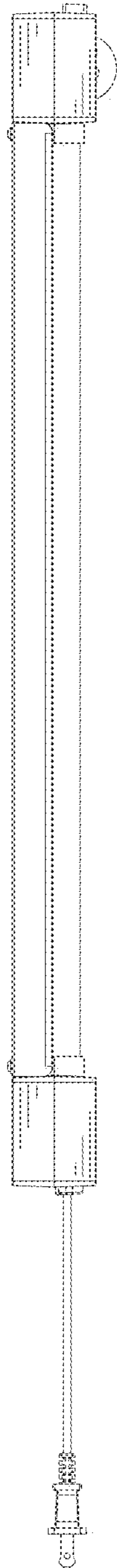


FIG. 3

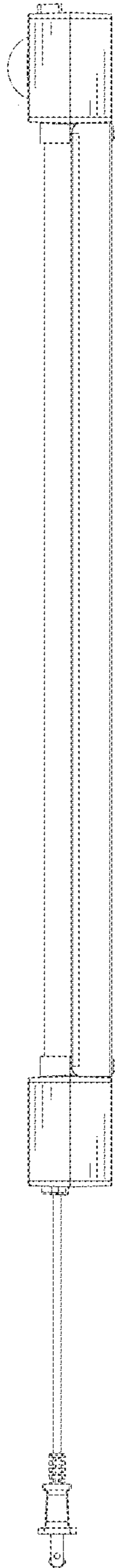


FIG. 4

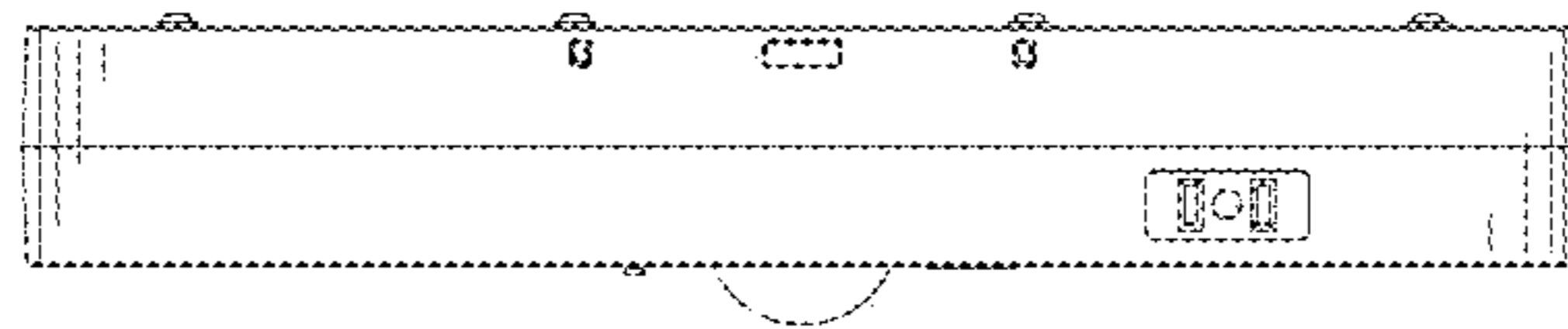


FIG. 5

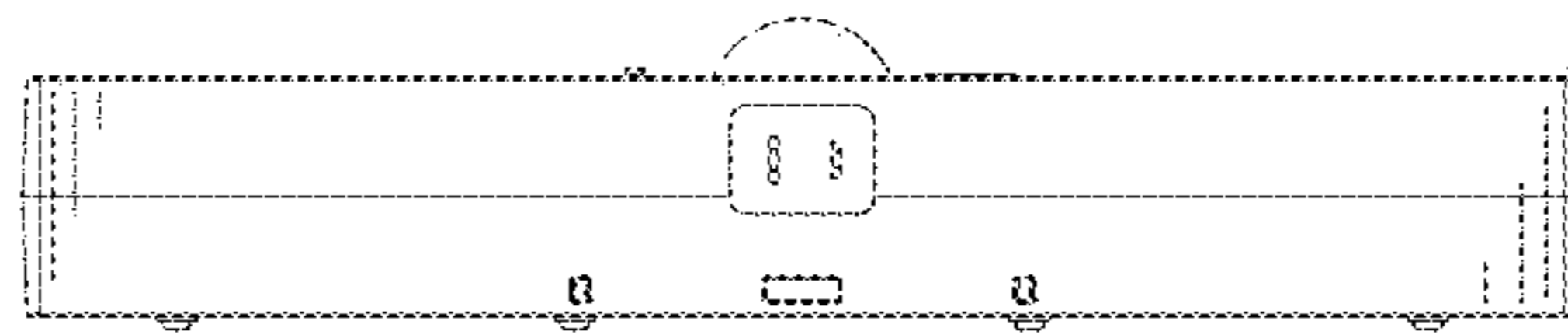


FIG. 6

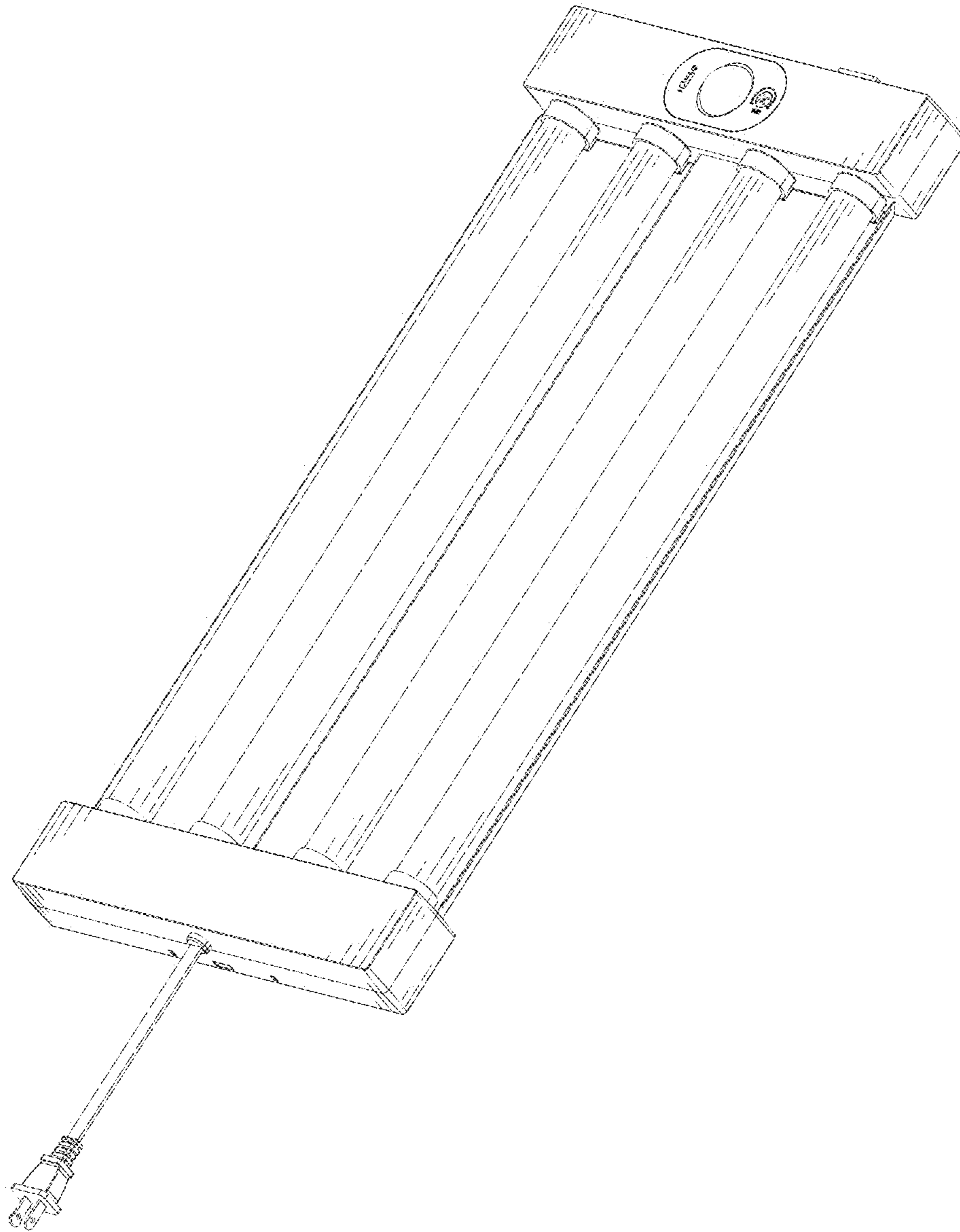


FIG. 7

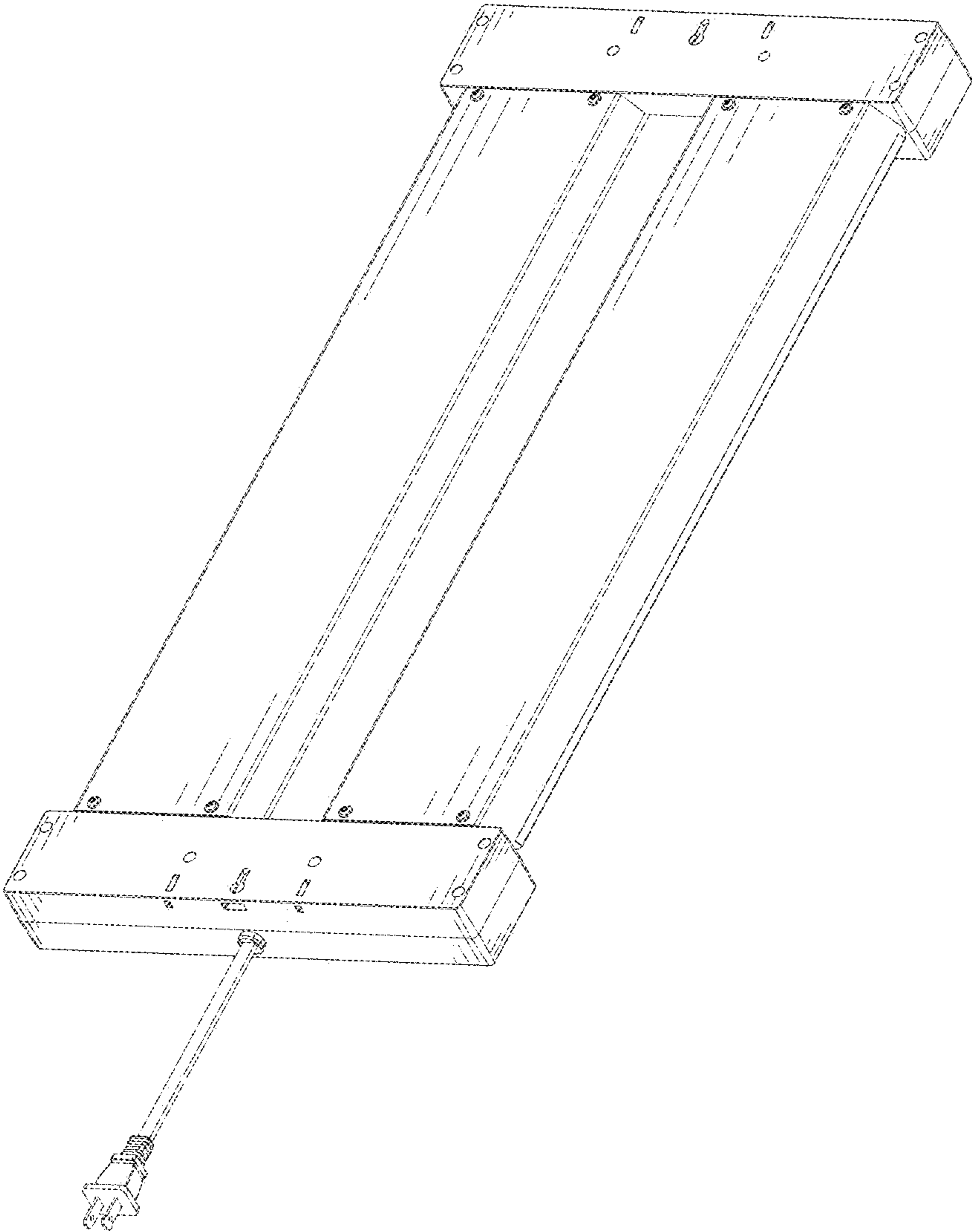


FIG. 8