



US00D969383S

(12) **United States Design Patent** (10) **Patent No.:** **US D969,383 S**
Zheng et al. (45) **Date of Patent:** **** Nov. 8, 2022**

(54) **LIGHT**
(71) Applicant: **Hangzhou Juxing Intelligent Technology Co., Ltd**, Zhejiang (CN)
(72) Inventors: **Hongbing Zheng**, Zhejiang (CN); **Dexin Mao**, Zhejiang (CN); **Jiahui Shen**, Zhejiang (CN)

D822,873 S * 7/2018 Bobel D26/76
D824,570 S * 7/2018 Bobel D26/76
D830,603 S * 10/2018 Luo D26/74
D833,663 S * 11/2018 Stromborg D26/74
D850,699 S * 6/2019 Xu D26/76
D884,239 S * 5/2020 Niemiec D26/59
D889,723 S * 7/2020 Lau D26/76
10,845,037 B2 * 11/2020 Amin F21S 8/06
2019/0257481 A1 * 8/2019 Patel F21V 17/107

(**) Term: **15 Years**
(21) Appl. No.: **29/768,869**
(22) Filed: **Feb. 2, 2021**

FOREIGN PATENT DOCUMENTS

CN 305105436 * 4/2019

(30) **Foreign Application Priority Data**

Sep. 15, 2020 (CN) 202030545712.8

(51) **LOC (13) Cl.** **26-04**
(52) **U.S. Cl.**
USPC **D26/76**
(58) **Field of Classification Search**
USPC D26/24, 51, 72, 76, 78, 89, 118, 120;
362/223, 217.01
CPC F21Y 2103/00; F21S 8/04; F21S 8/033;
F21S 8/03; H05B 47/165; F21V 15/01
See application file for complete search history.

OTHER PUBLICATIONS

Hyperlite Enterprise-Grade 4FT LED High Bay Shop Light, available in Amazon.com, date first available Sep. 19, 0219 [online], [site visited Aug. 3, 2022], Available from the internet URL: <https://a.co/d/2kHtCdA> (Year: 2019).*

* cited by examiner

Primary Examiner — Brett Miller
Assistant Examiner — Jasmine L. Comedy
(74) *Attorney, Agent, or Firm* — Prakash Nama; Global IP Services, PLLC

(56) **References Cited**

U.S. PATENT DOCUMENTS

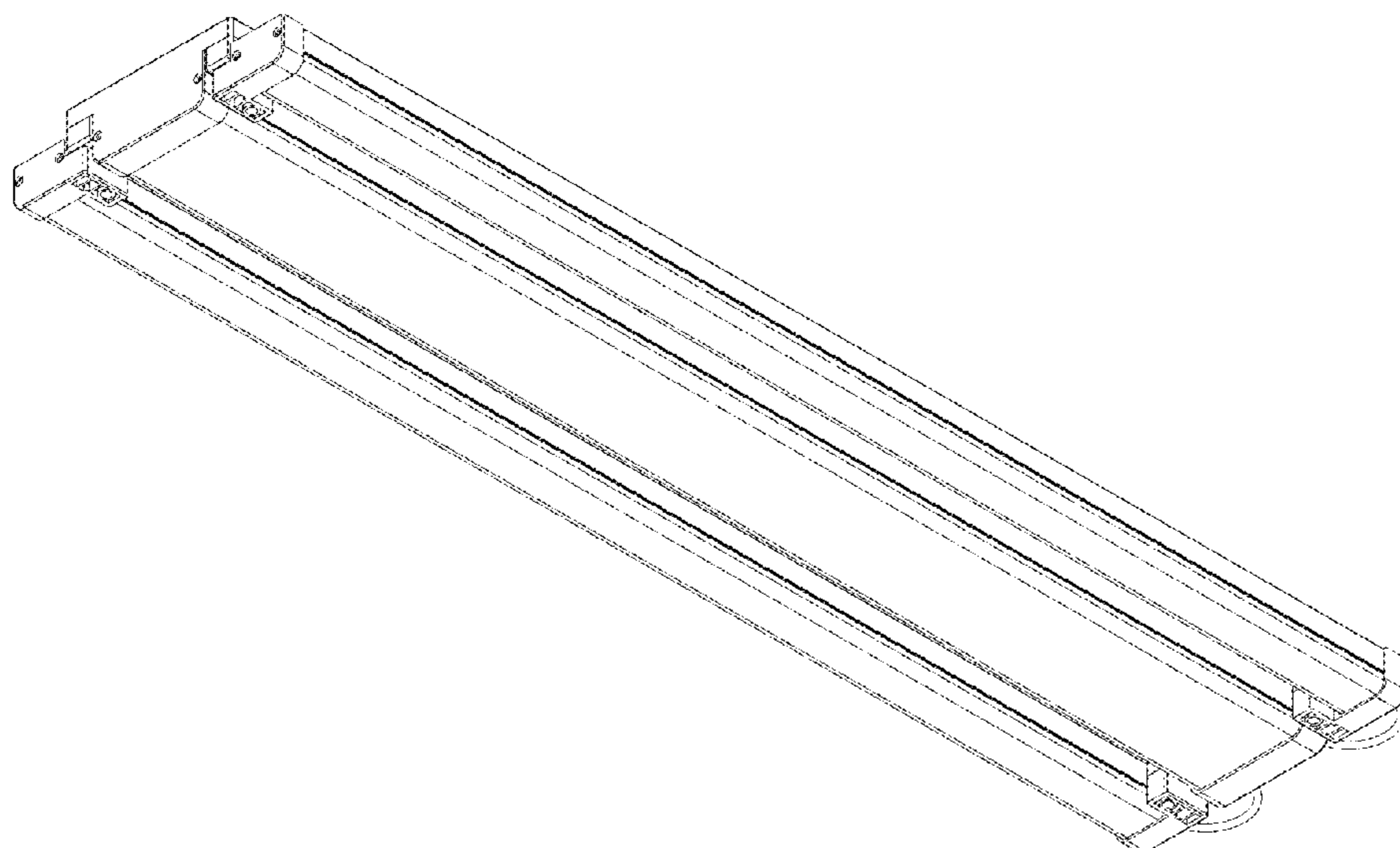
D596,778 S * 7/2009 Yamazato D26/76
D663,467 S * 7/2012 Apetauer D26/74
D670,849 S * 11/2012 Lay D26/74
D678,597 S * 3/2013 Lehman D26/120
D697,652 S * 1/2014 Savani D26/76
D723,206 S * 2/2015 Lewis, Jr. D26/72
D747,529 S * 1/2016 Yoon D26/74
D757,325 S * 5/2016 Stanley D26/76
9,416,954 B2 * 8/2016 Miller F21V 29/773
D770,083 S * 10/2016 Clark D26/120
D780,974 S * 3/2017 Scribante D26/76
D819,861 S * 6/2018 Scribante D26/76

(57) **CLAIM**
The ornamental design for a light, as shown.

DESCRIPTION

FIG. 1 is a front elevational view of a light showing our new design;
FIG. 2 is a rear elevational view thereof;
FIG. 3 is a left side view thereof;
FIG. 4 is a right side view thereof;
FIG. 5 is a top plan view thereof;
FIG. 6 is a bottom plan view thereof;
FIG. 7 is a perspective view thereof; and,
FIG. 8 is another perspective view thereof.

1 Claim, 7 Drawing Sheets



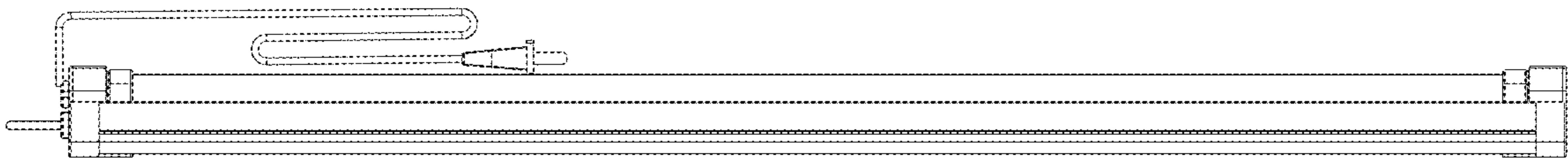


FIG. 1

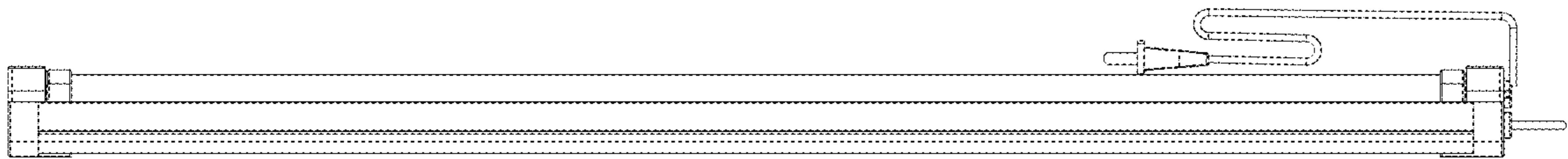


FIG. 2

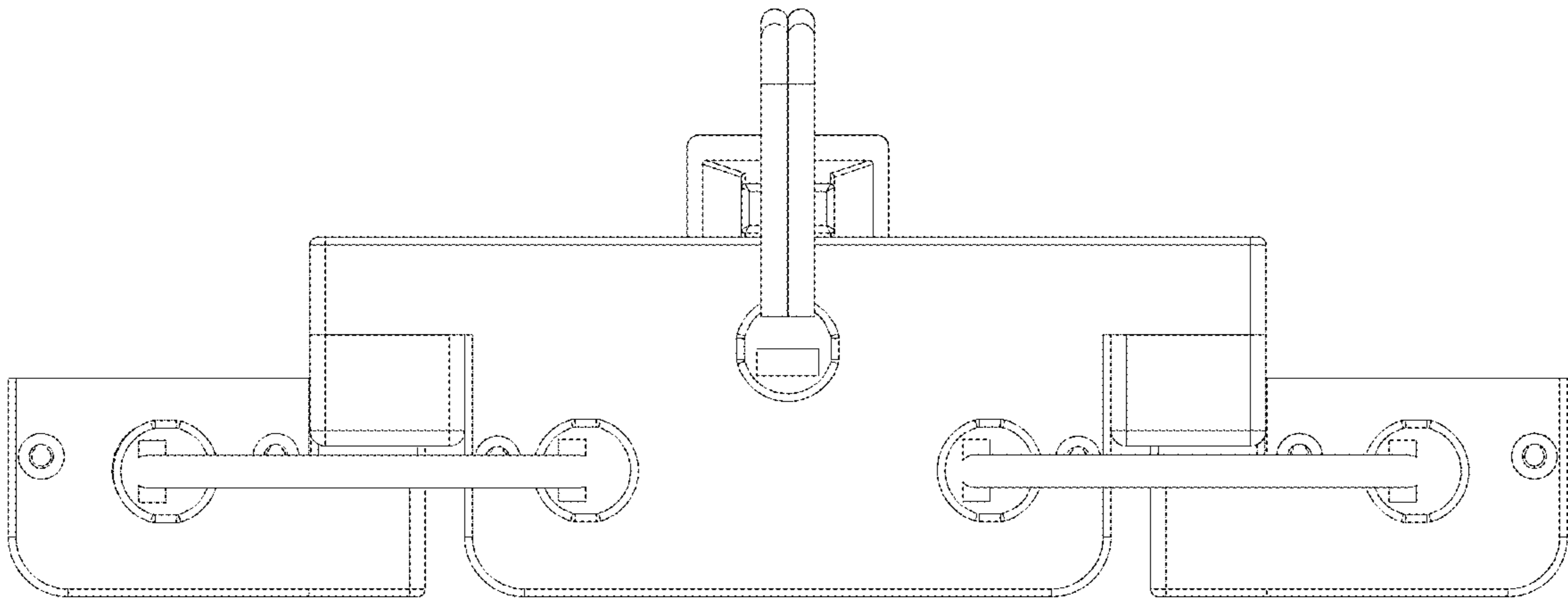


FIG. 3

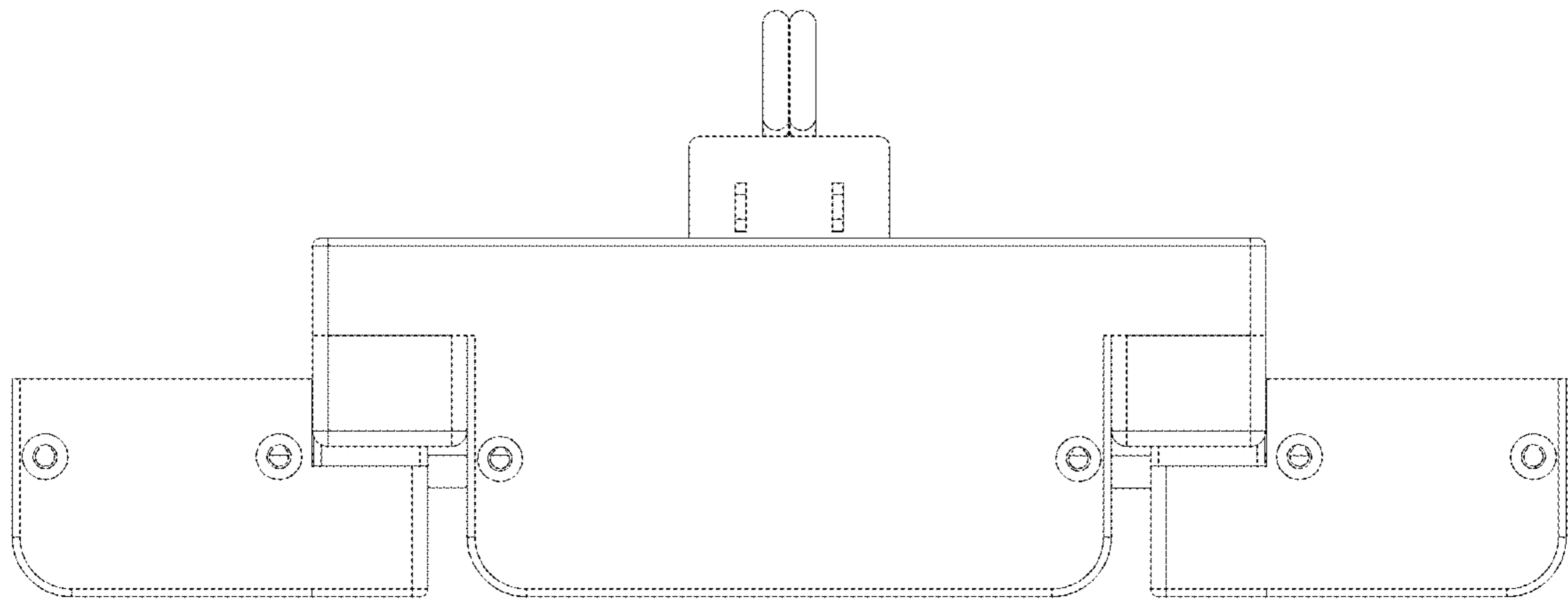


FIG. 4

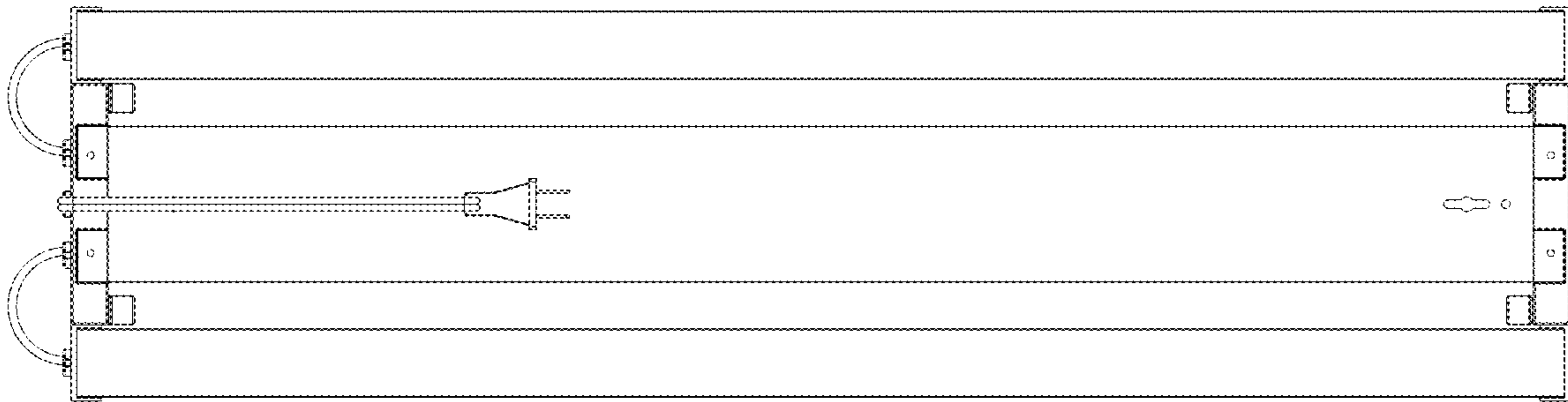


FIG. 5

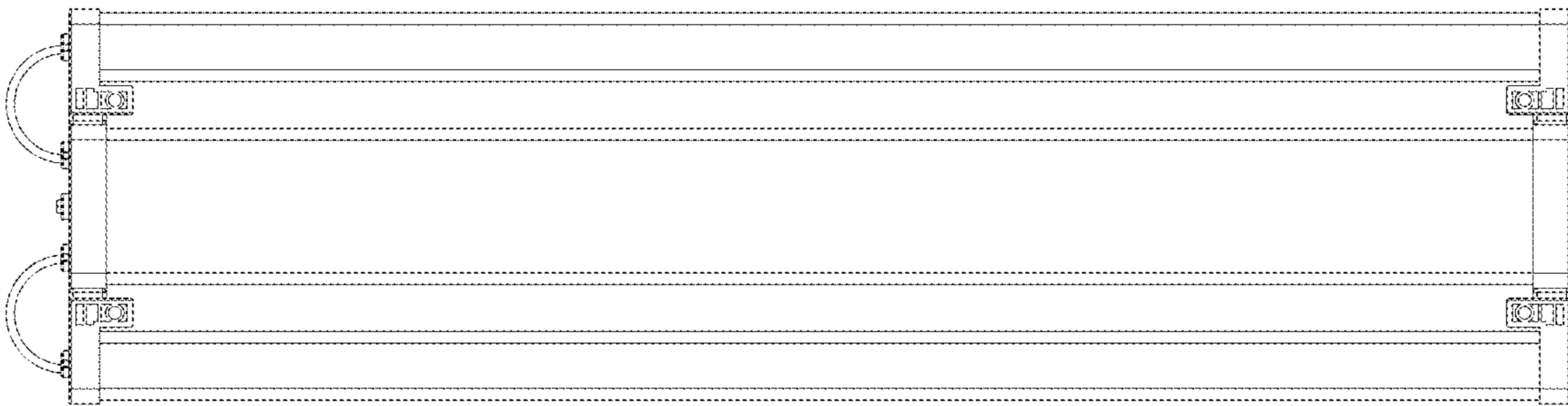


FIG. 6

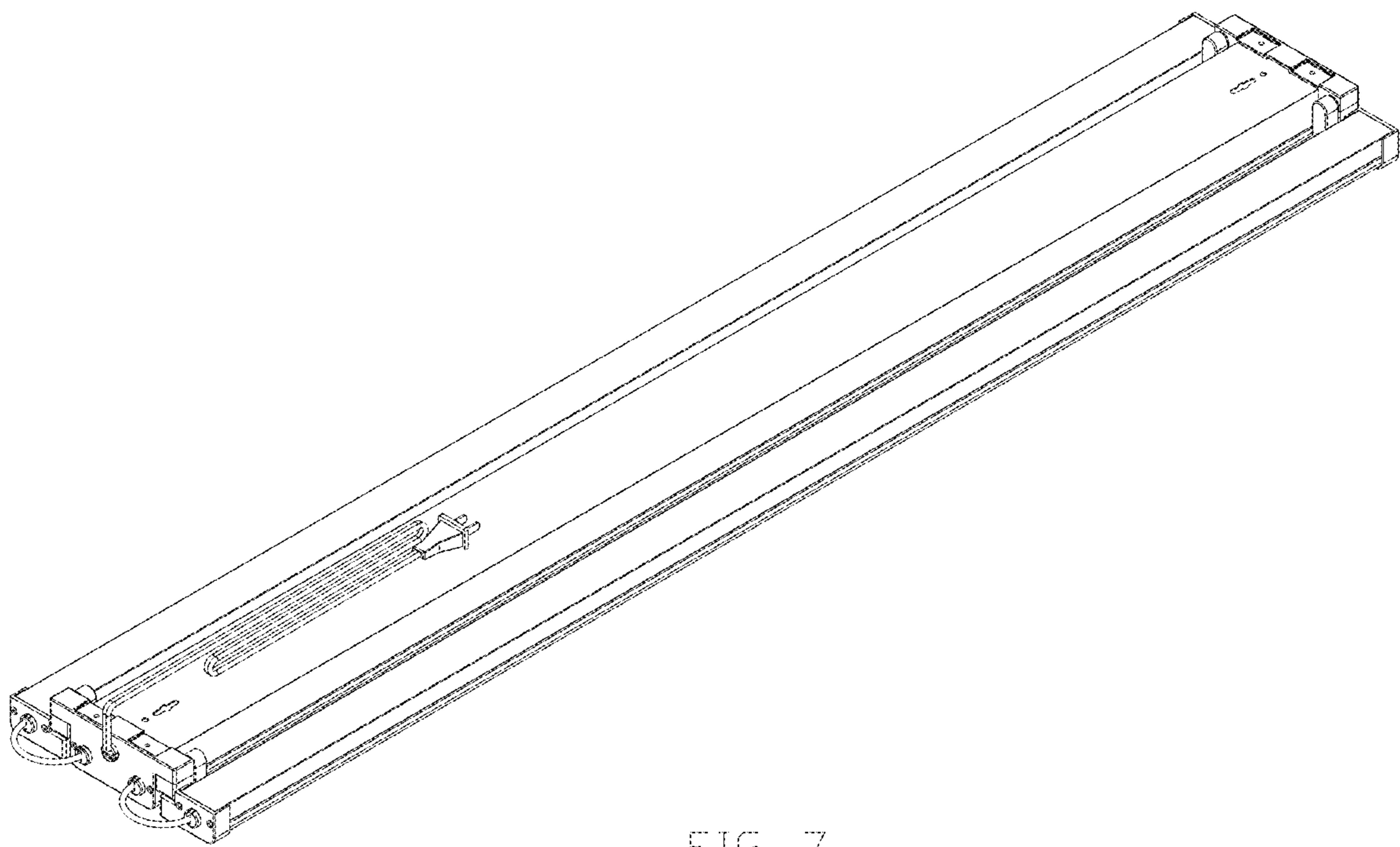


FIG. 7

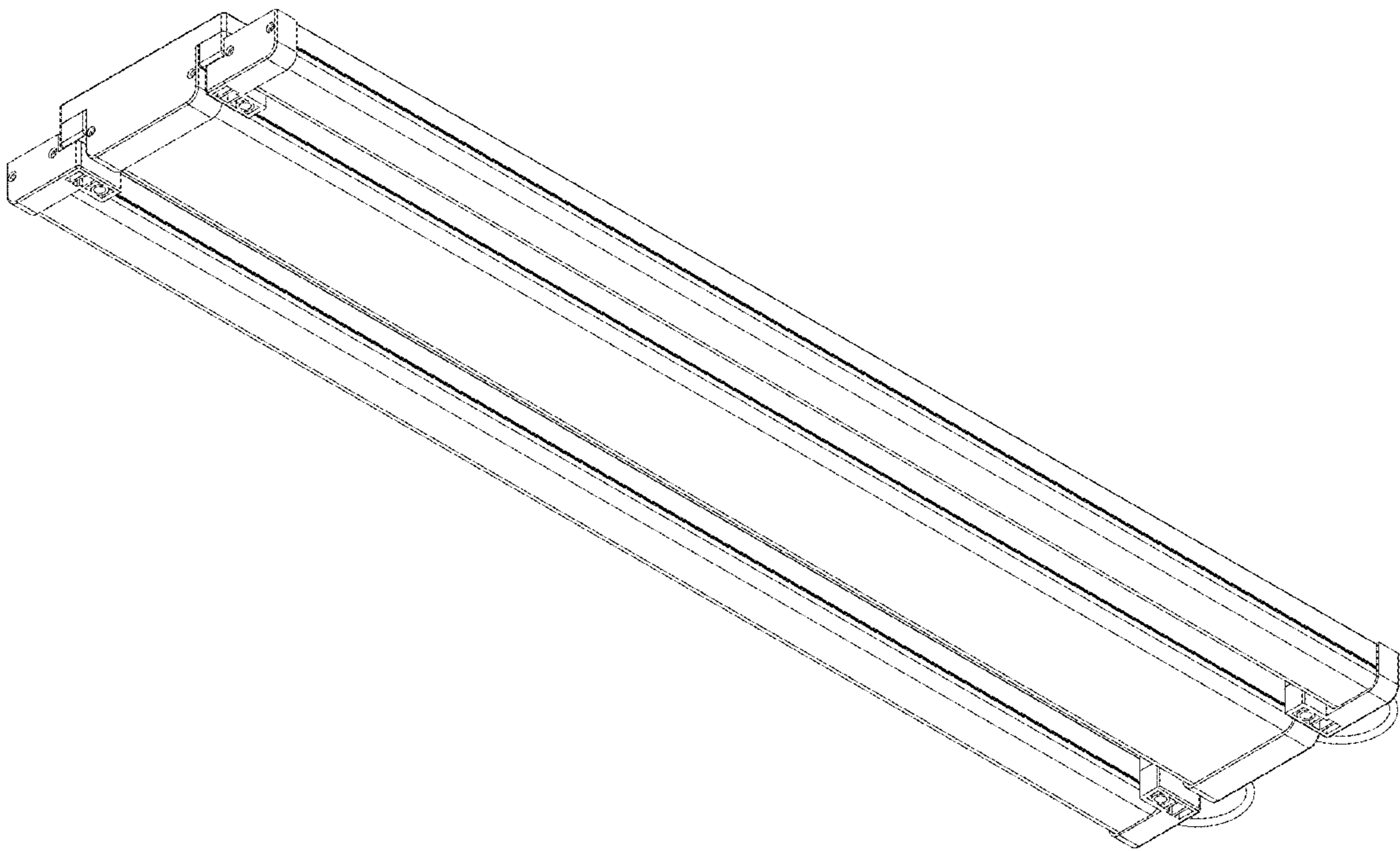


FIG. 8