

US00D969381S

(12) **United States Design Patent** (10) **Patent No.:** **US D969,381 S**  
**Loew et al.** (45) **Date of Patent:** **\*\* Nov. 8, 2022**

(54) **STEP LIGHT**

(71) Applicant: **Amazon Technologies, Inc.**, Seattle, WA (US)  
(72) Inventors: **Christopher Loew**, Palo Alto, CA (US); **Maya Winfield**, Cleveland, OH (US); **Alexsandra M. Bowers**, Lakewood, OH (US); **Ryan David Hruska**, North Royalton, OH (US); **Mark D Siminoff**, Mountain View, CA (US); **David Brett Levine**, Chagrin Falls, OH (US); **James Siminoff**, Pacific Palisades, CA (US)

(73) Assignee: **Amazon Technologies, Inc.**, Seattle, WA (US)

(\*\*) Term: **15 Years**

(21) Appl. No.: **29/821,321**

(22) Filed: **Dec. 29, 2021**

**Related U.S. Application Data**

(62) Division of application No. 29/705,136, filed on Sep. 10, 2019, now Pat. No. Des. 940,372.

(51) **LOC (13) Cl.** ..... **26-05**

(52) **U.S. Cl.**  
USPC ..... **D26/72; D26/85**

(58) **Field of Classification Search**  
USPC ..... D26/72, 85, 92; D10/106.6, 106.8  
CPC .... F21S 8/03; F21S 8/033; F21S 8/036; F21S 8/037; F21S 9/022; F21S 9/024; F21S 9/03; F21S 9/035; F21S 9/037; F21W 2131/107; G08B 13/193  
See application file for complete search history.

(56) **References Cited**

**U.S. PATENT DOCUMENTS**

D535,775 S 1/2007 Lueken  
D589,196 S 3/2009 Stone et al.

D626,270 S 10/2010 Waldmann  
D796,975 S \* 9/2017 Jou ..... D10/70  
D803,456 S \* 11/2017 Yang ..... D26/85  
D819,254 S \* 5/2018 Richardson ..... D26/85  
D829,359 S 9/2018 Zhang  
D829,955 S 10/2018 Recker et al.  
D849,987 S 5/2019 Koerth  
D853,013 S 7/2019 Zhuo  
D861,225 S 9/2019 Recker et al.  
D875,991 S 2/2020 Wan

(Continued)

**OTHER PUBLICATIONS**

Nacinic Decorative Solar Outdoor Lights for Fence Deck Step, ASIN: B09CPVZQ8M. Available from amazon.com Aug. 16, 2021. (Year: 2021).\*

(Continued)

*Primary Examiner* — Clare E Heflin

(74) *Attorney, Agent, or Firm* — Lee & Hayes, P.C.

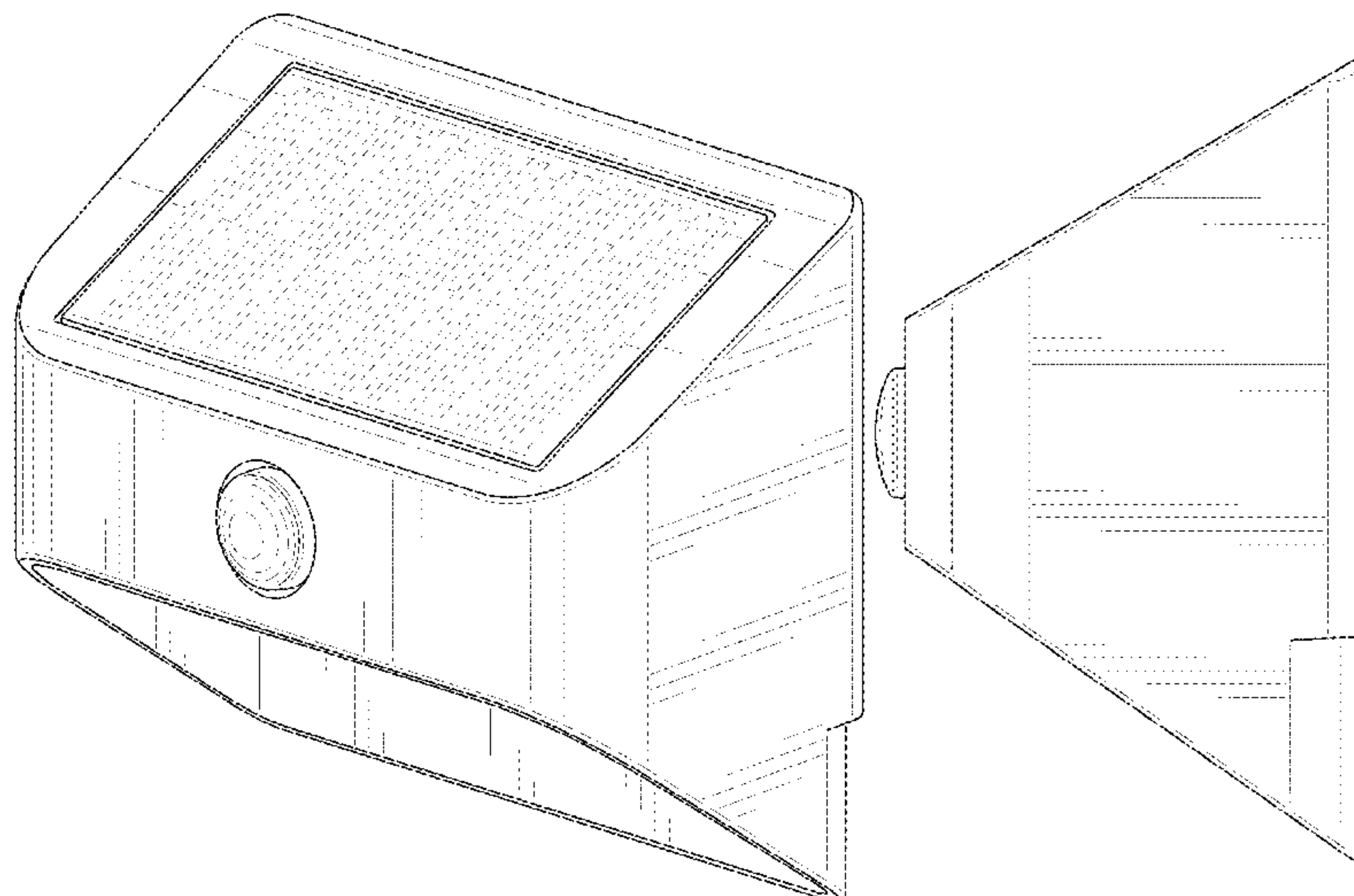
(57) **CLAIM**

The ornamental design for a step light, as shown and described.

**DESCRIPTION**

FIG. 1 is a front, right-side, top perspective view of a step light;  
FIG. 2 is a back, left-side, bottom perspective view thereof;  
FIG. 3 is a front elevation view thereof;  
FIG. 4 is a back elevation view thereof;  
FIG. 5 is a left-side elevation view thereof;  
FIG. 6 is a right-side elevation view thereof;  
FIG. 7 is a top plan view thereof; and,  
FIG. 8 is a bottom plan view thereof.  
The dashed broken lines depict portions of the step light that form no part of the claimed design.

**1 Claim, 8 Drawing Sheets**



(56)

**References Cited**

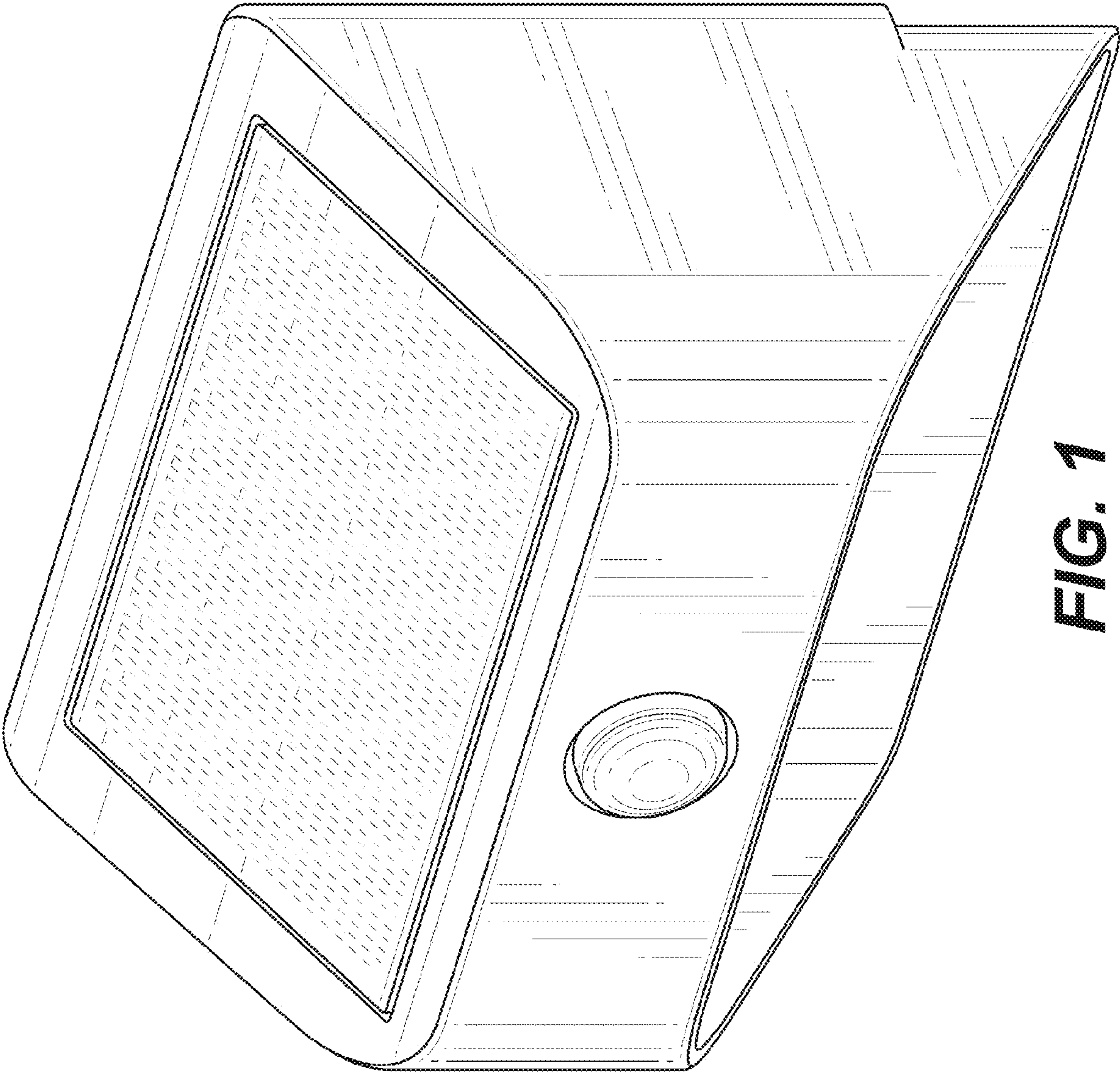
U.S. PATENT DOCUMENTS

D875,992 S	2/2020	Khubani	
D879,352 S	3/2020	Liu	
D893,079 S	8/2020	Zhang	
D940,372 S *	1/2022	Loew .....	D26/85
D940,373 S *	1/2022	Recker .....	D26/85
D941,693 S *	1/2022	Walliser .....	D10/52

OTHER PUBLICATIONS

Notice of Allowance dated Aug. 30, 2021 for U.S. Appl. No. 29/705,136, Loew, "Step Light," 6 pgs.

\* cited by examiner



**FIG. 1**



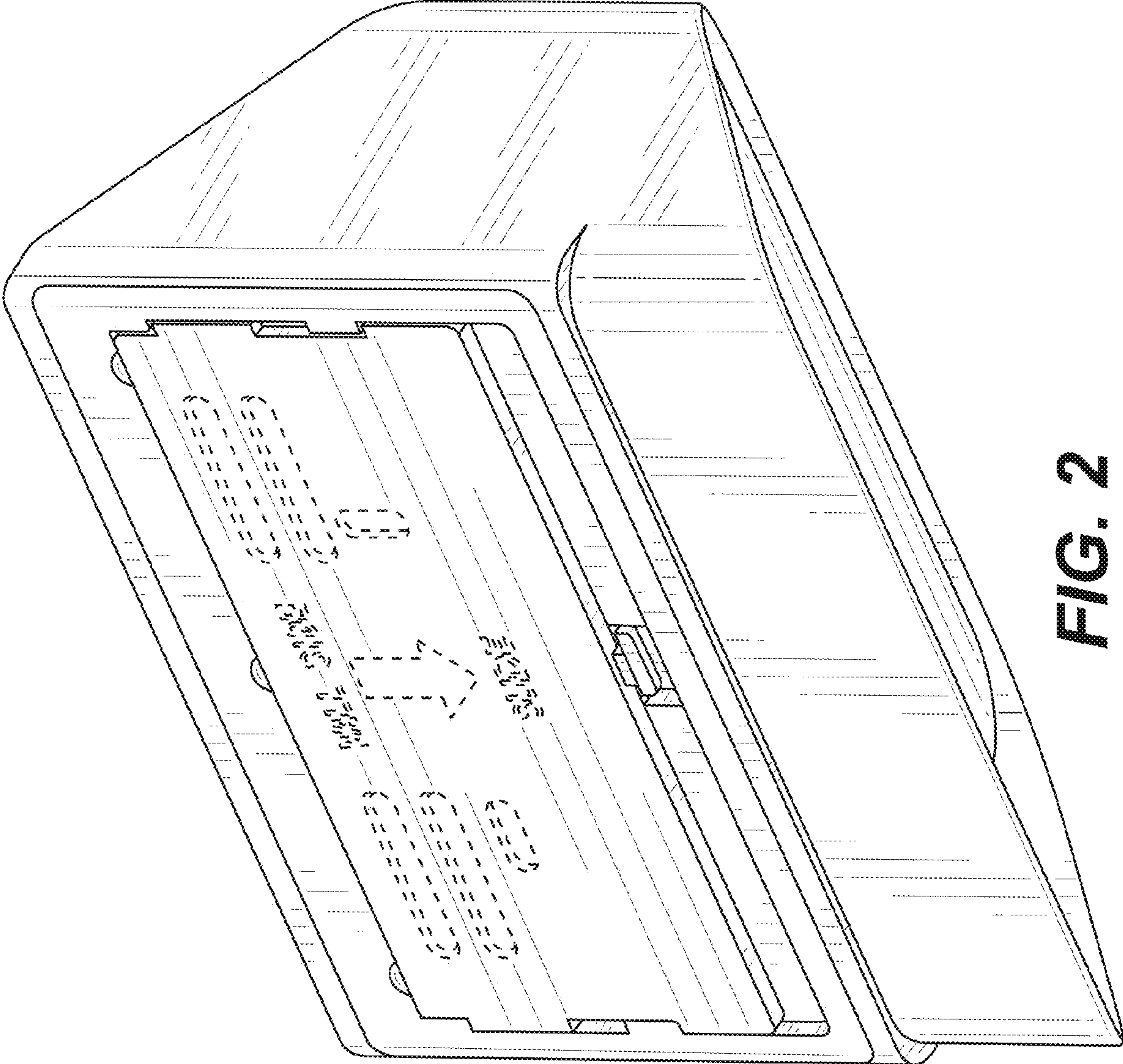


FIG. 2

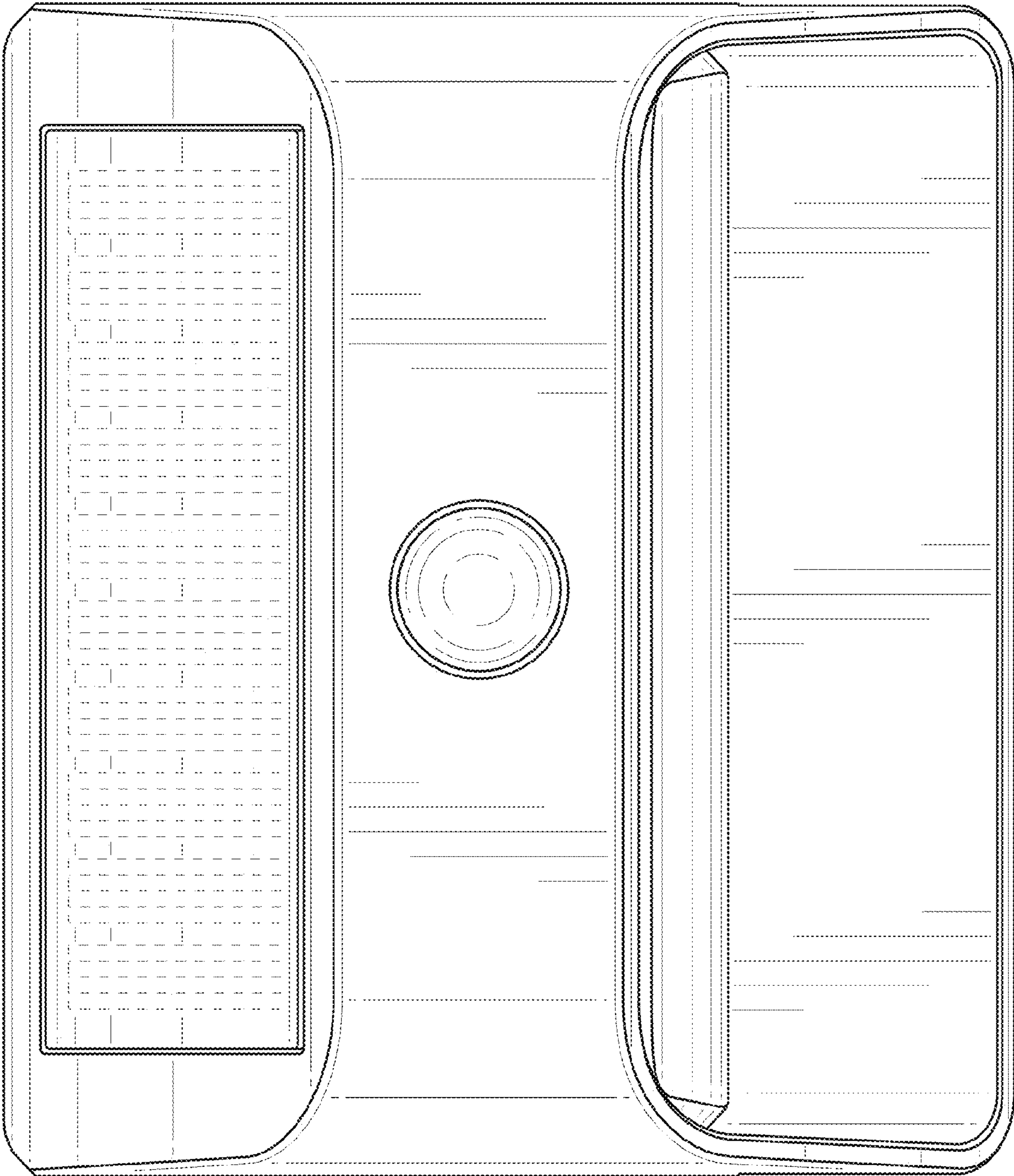
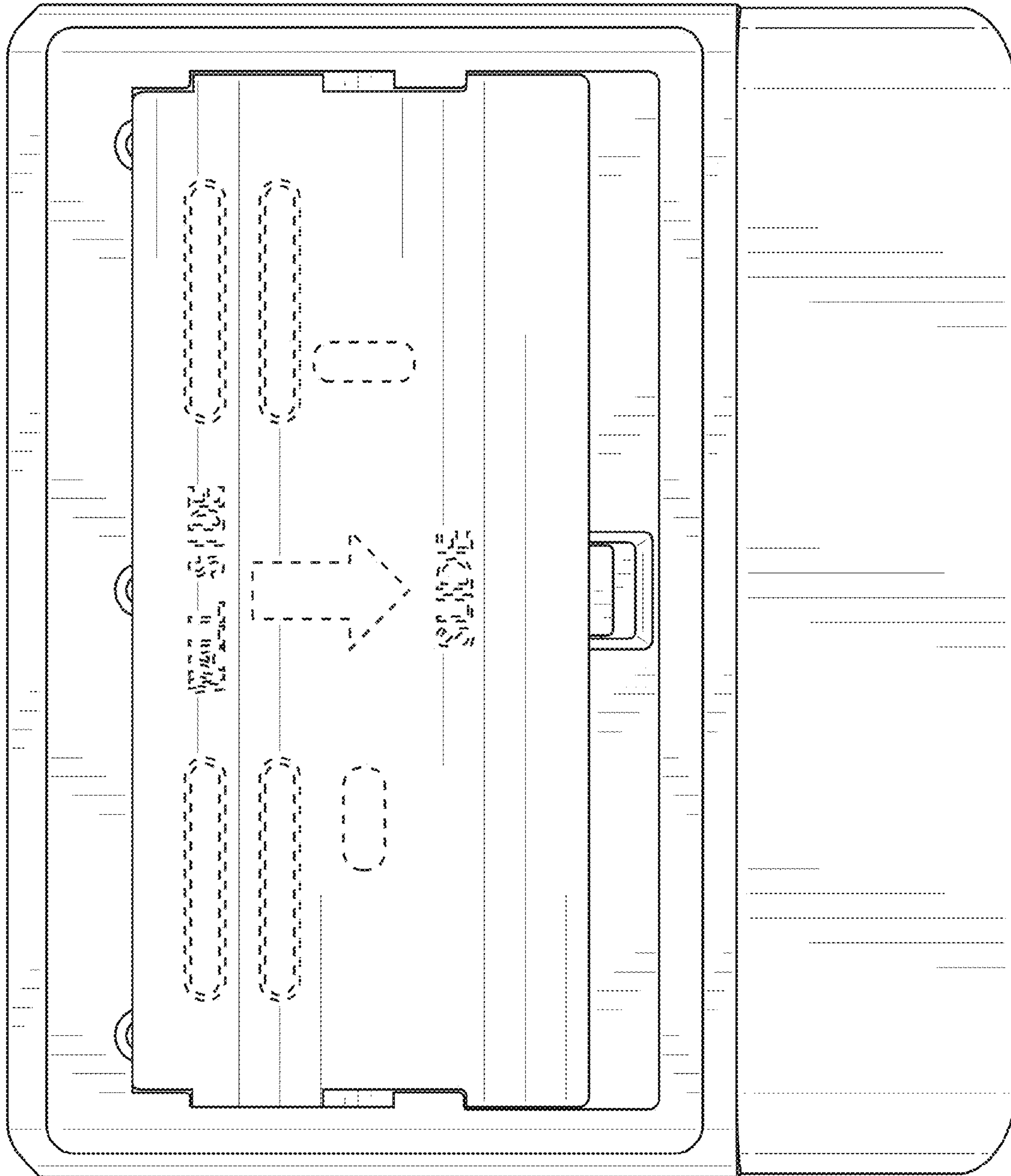
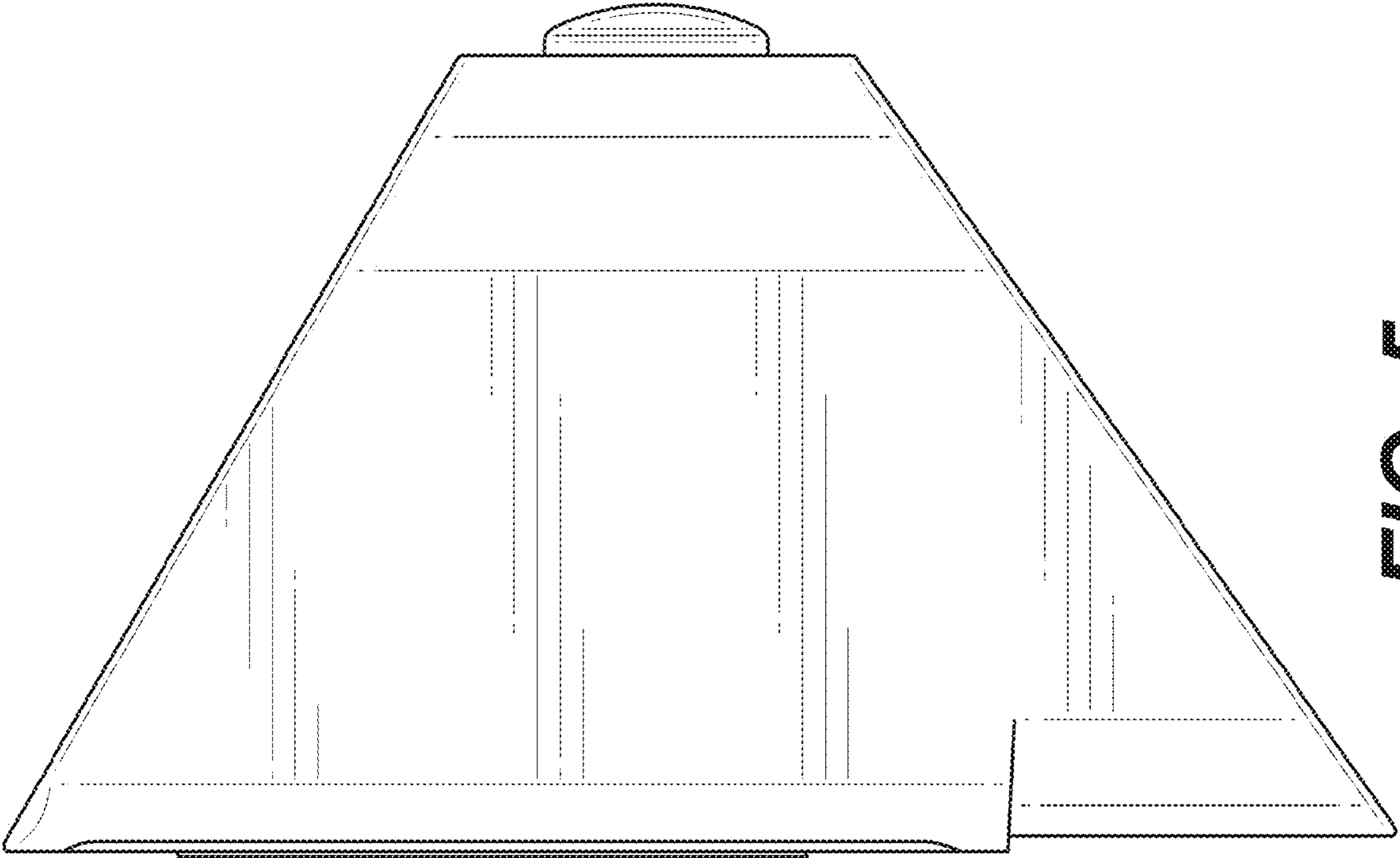


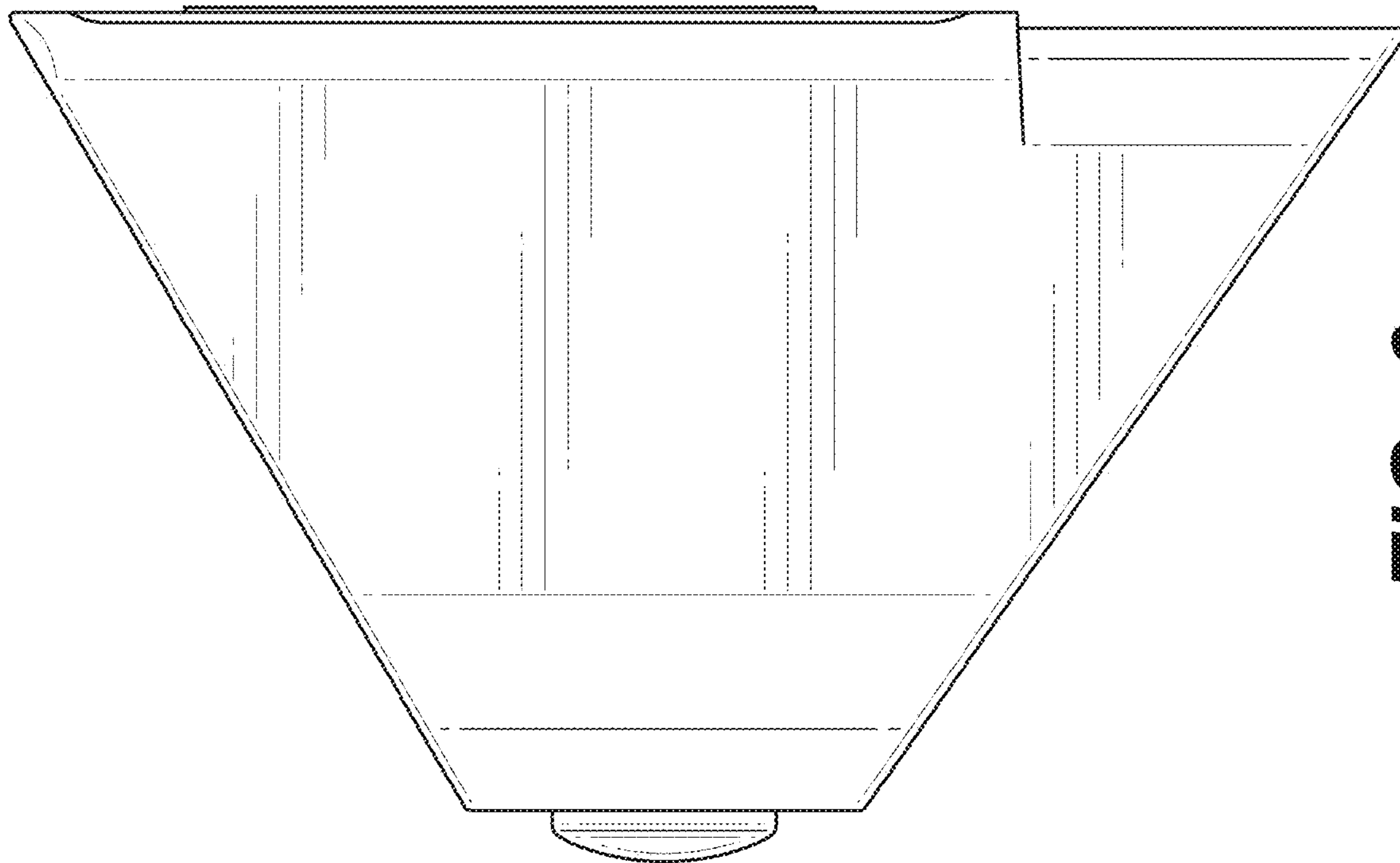
FIG. 3



**FIG. 4**

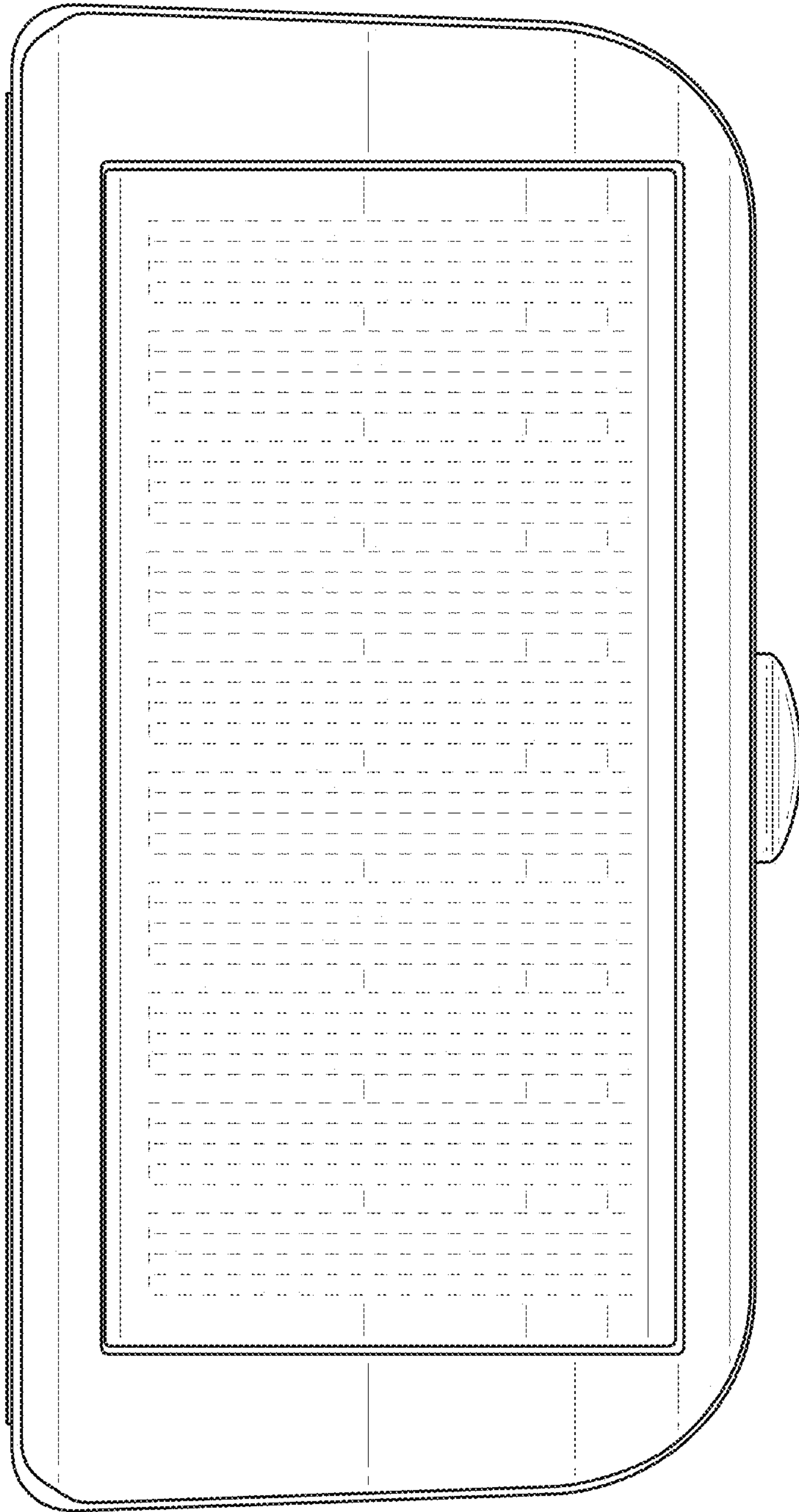


**FIG. 5**

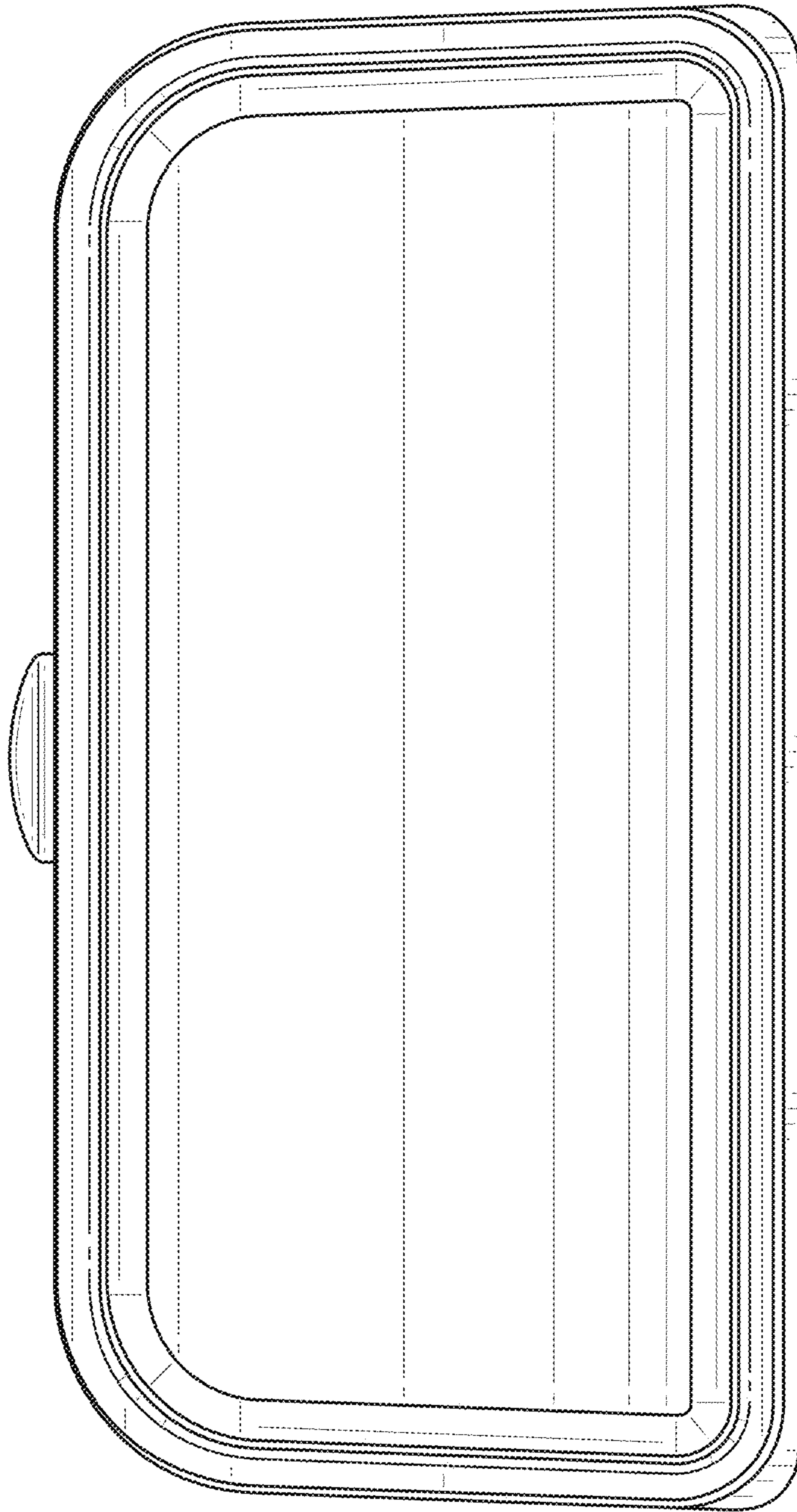


**FIG. 6**





**FIG. 7**



**FIG. 8**