



US00D969379S

(12) **United States Design Patent**
Wang

(10) **Patent No.:** **US D969,379 S**
(45) **Date of Patent:** **** Nov. 8, 2022**

- (54) **SOLAR LANDSCAPE LIGHT**
- (71) Applicant: **Denian Wang**, Zhumadian (CN)
- (72) Inventor: **Denian Wang**, Zhumadian (CN)
- (**) Term: **15 Years**
- (21) Appl. No.: **29/821,073**
- (22) Filed: **Dec. 27, 2021**
- (51) **LOC (13) Cl.** **26-05**
- (52) **U.S. Cl.**
USPC **D26/67**
- (58) **Field of Classification Search**
USPC D26/67-70, 85
CPC F21S 8/03; F21S 8/033; F21S 8/036; F21S 8/081; F21S 9/037; F21W 2111/02; F21W 2111/023; F21W 2131/109
See application file for complete search history.

D923,847 S 6/2021 Ye
D947,435 S * 3/2022 Li D26/67
D957,713 S * 7/2022 Wang D26/67

OTHER PUBLICATIONS

Nenkidi Solar Pathway Lights, ASIN: B09KCR6BH9. Available from amazon.com Oct. 26, 2021. (Year: 2021).*

Linkind Solar Pathway Lights, ASIN: B09P8FQGYQ. Available from amazon.com Apr. 23, 2022. (Year: 2022).*

Staffzille Solar Pathway Lights, ASIN: B09V4JWJ36. Available from amazon.com Mar. 9, 2022. (Year: 2022).*

Beidelt Solar Pathway Lights, ASIN: B089QQM8BM. Available from amazon.com. as early as Jan. 2, 2021. (Year: 2021).*

* cited by examiner

Primary Examiner — Clare E Heflin

(57) **CLAIM**

The ornamental design for the solar landscape light, as shown and described.

DESCRIPTION

FIG. 1 is a front perspective view of the solar landscape light, showing my new design;

FIG. 2 is a rear perspective view thereof;

FIG. 3 is a front view thereof;

FIG. 4 is a rear view thereof;

FIG. 5 is a left side view thereof;

FIG. 6 is a right side view thereof;

FIG. 7 is a top view thereof;

FIG. 8 is a bottom view thereof; and,

FIG. 9 is a partial enlarged view of FIG. 1.

1 Claim, 9 Drawing Sheets

(56) **References Cited**
U.S. PATENT DOCUMENTS

D338,080 S *	8/1993	Elazari	D26/68
D517,717 S *	3/2006	Sanoner	D26/68
D517,719 S *	3/2006	Sanoner	D26/68
D562,488 S *	2/2008	Weiser	D26/73
D652,975 S *	1/2012	Harshaw	D26/67
D670,017 S *	10/2012	Tortel	D26/135
D672,487 S *	12/2012	Chen	D26/68
D698,064 S *	1/2014	Macura	D26/68
D738,556 S *	9/2015	Macura	D26/67
D800,940 S *	10/2017	Guzzini	D26/70
D884,246 S *	5/2020	Tang	D26/67

FIG.9

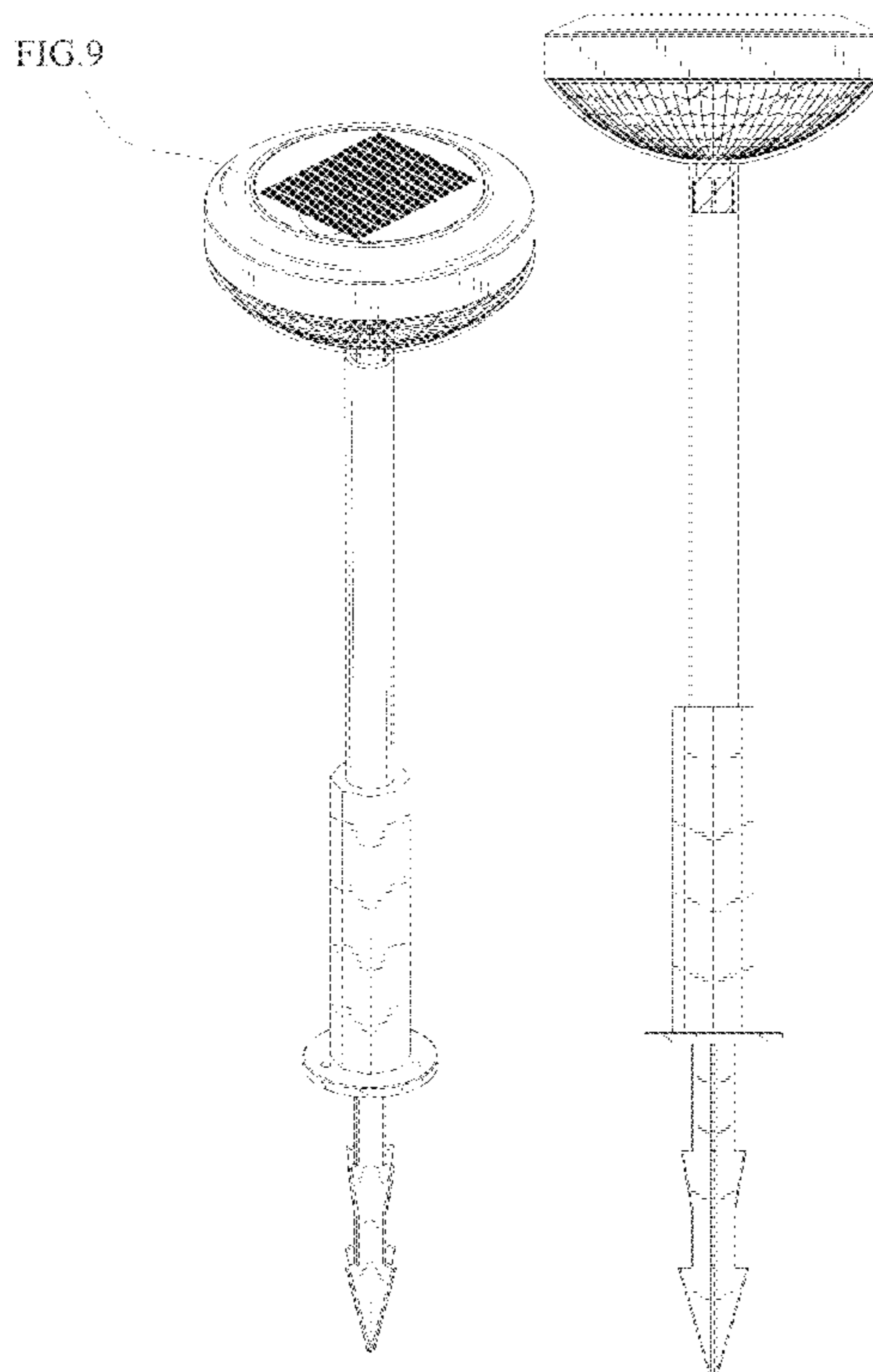


FIG. 9

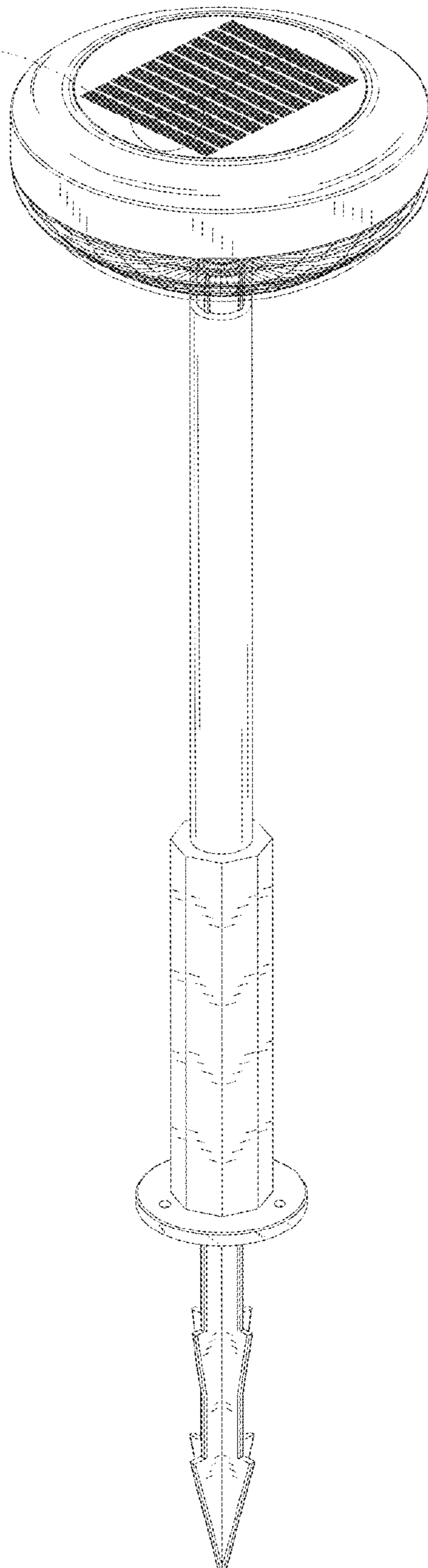


FIG. 1

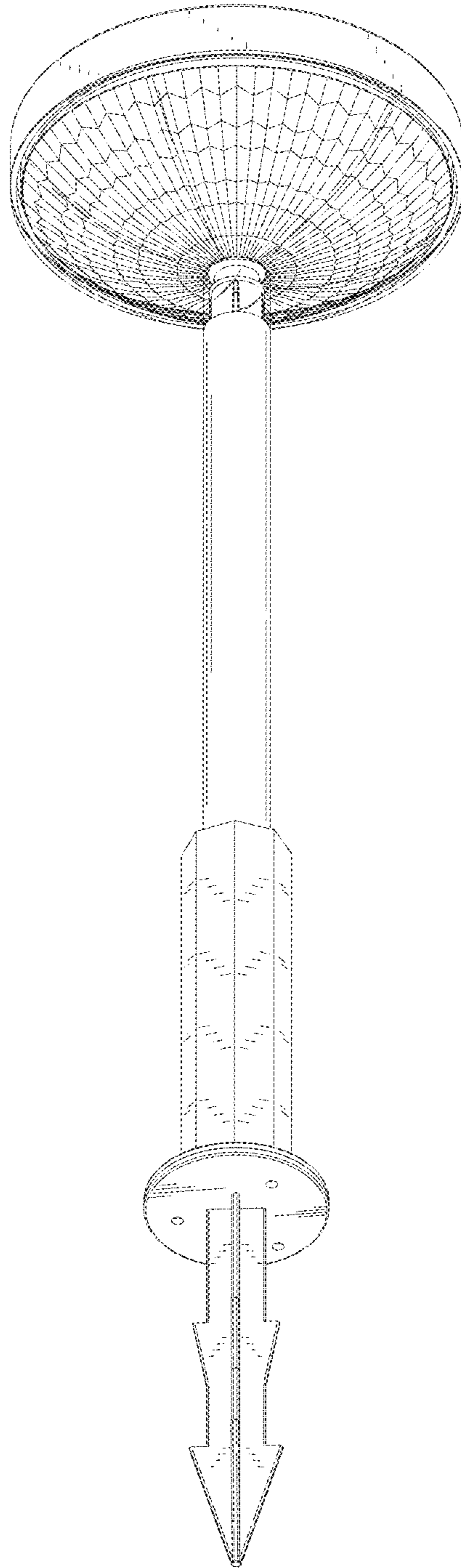


FIG. 2

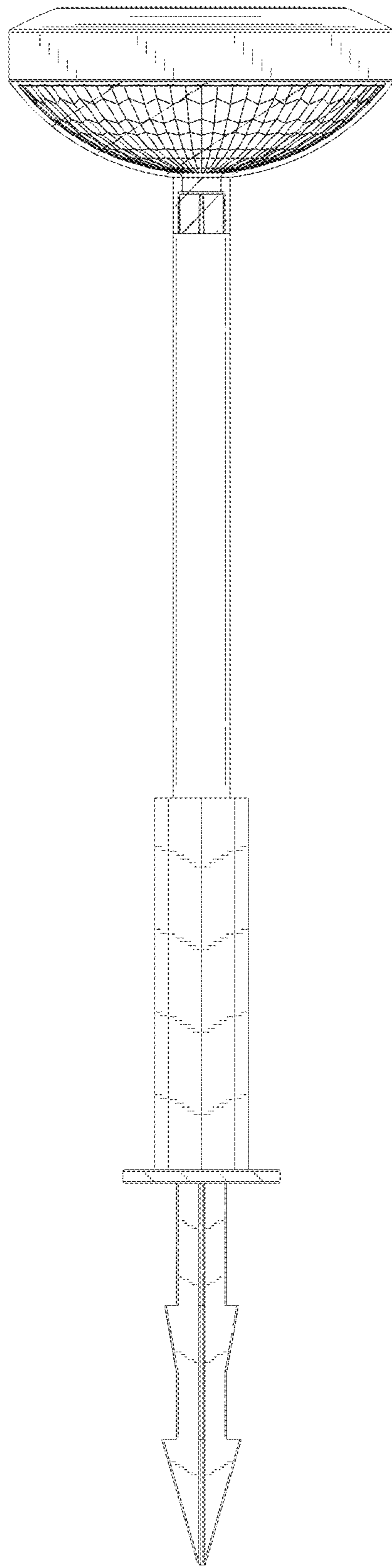


FIG. 3

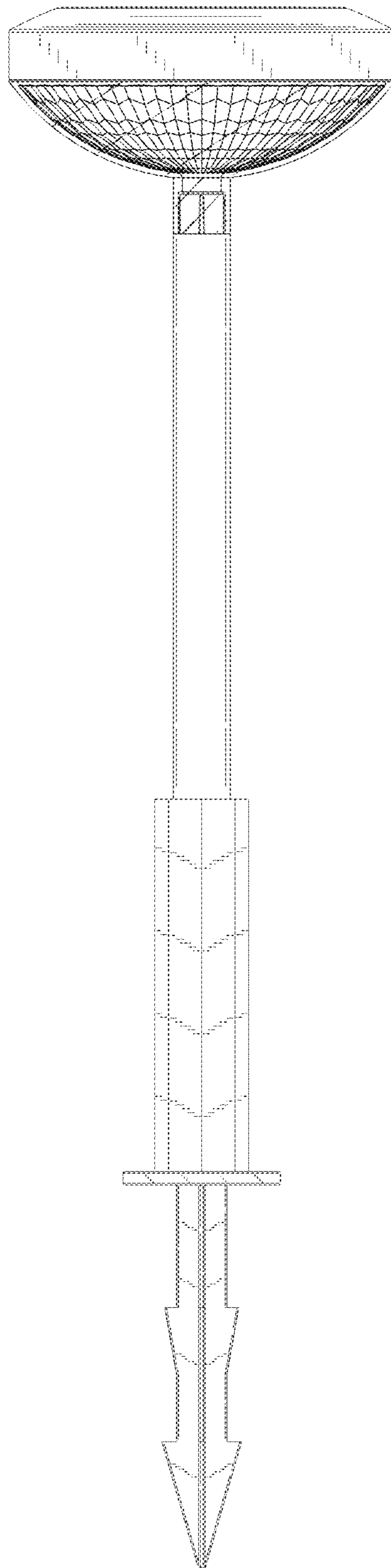


FIG. 4

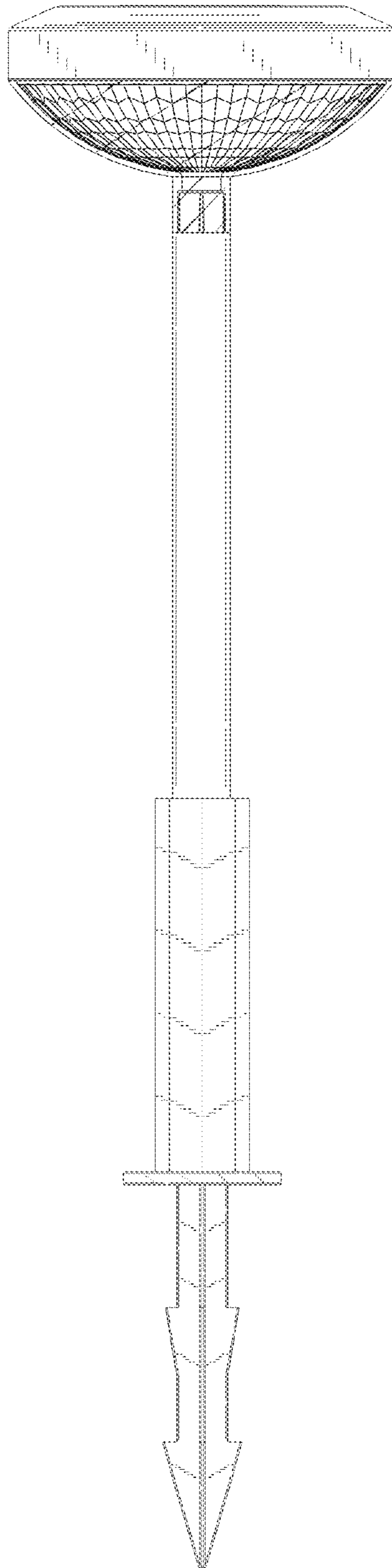


FIG. 5

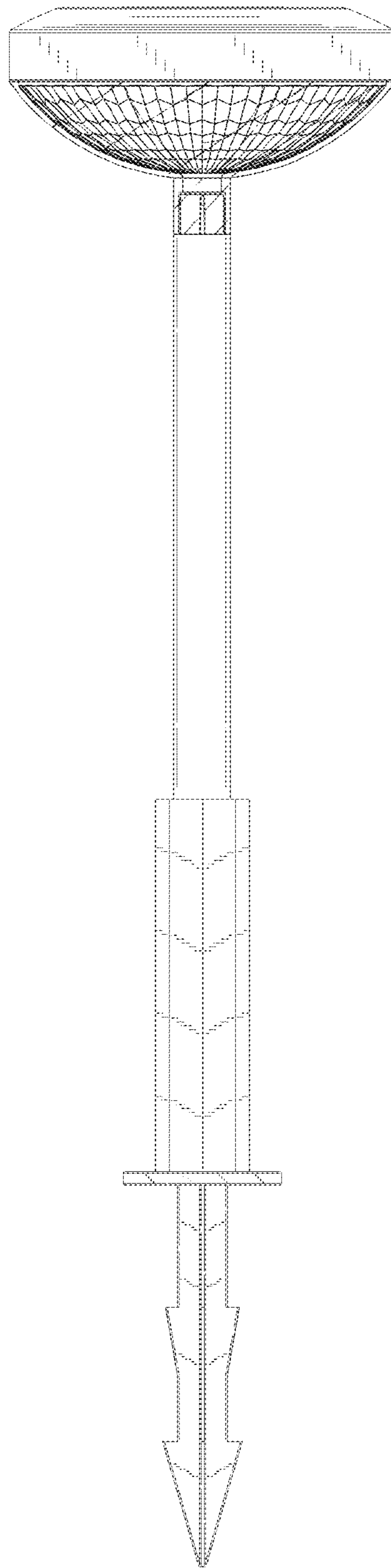


FIG. 6

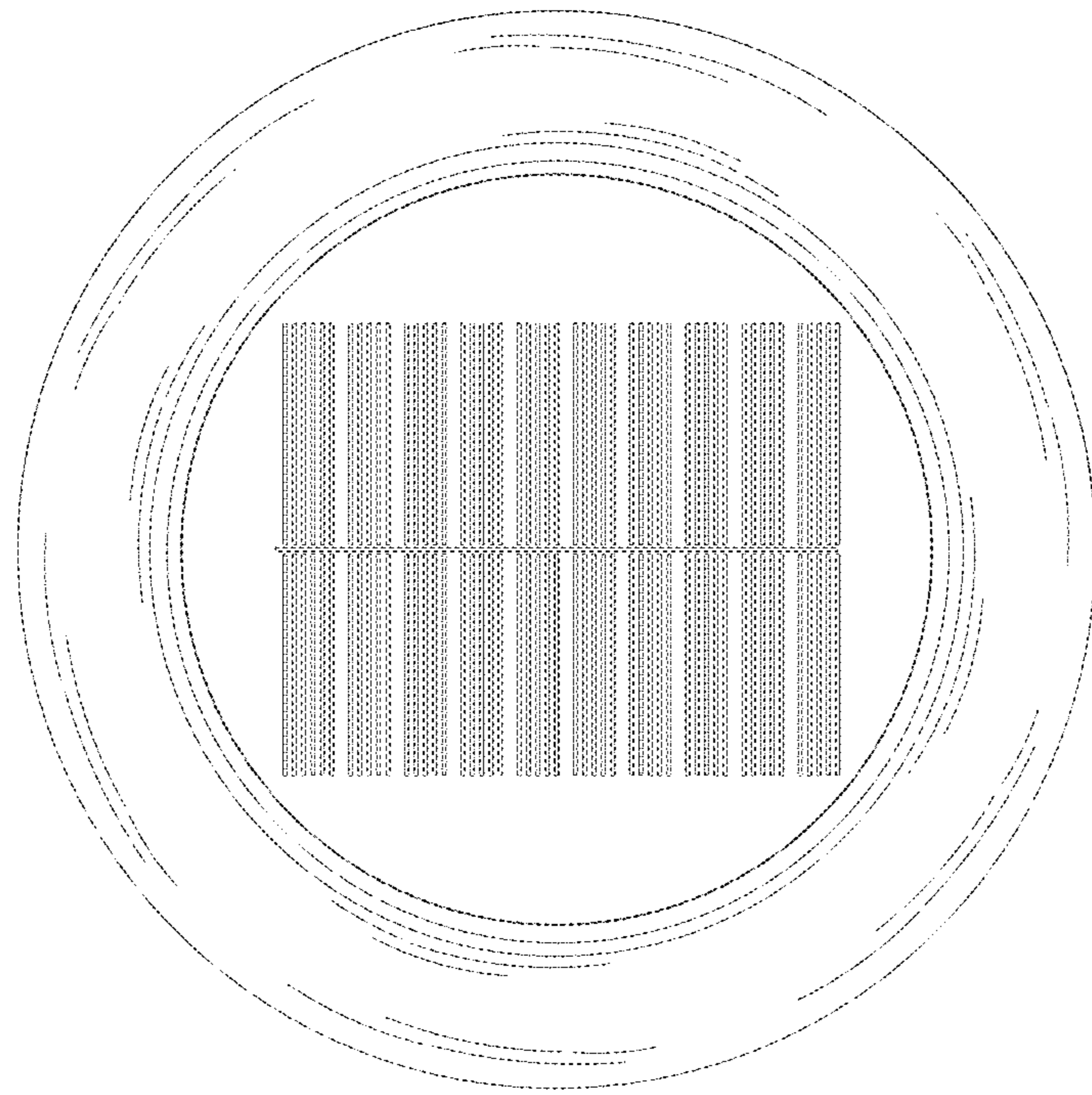


FIG. 7

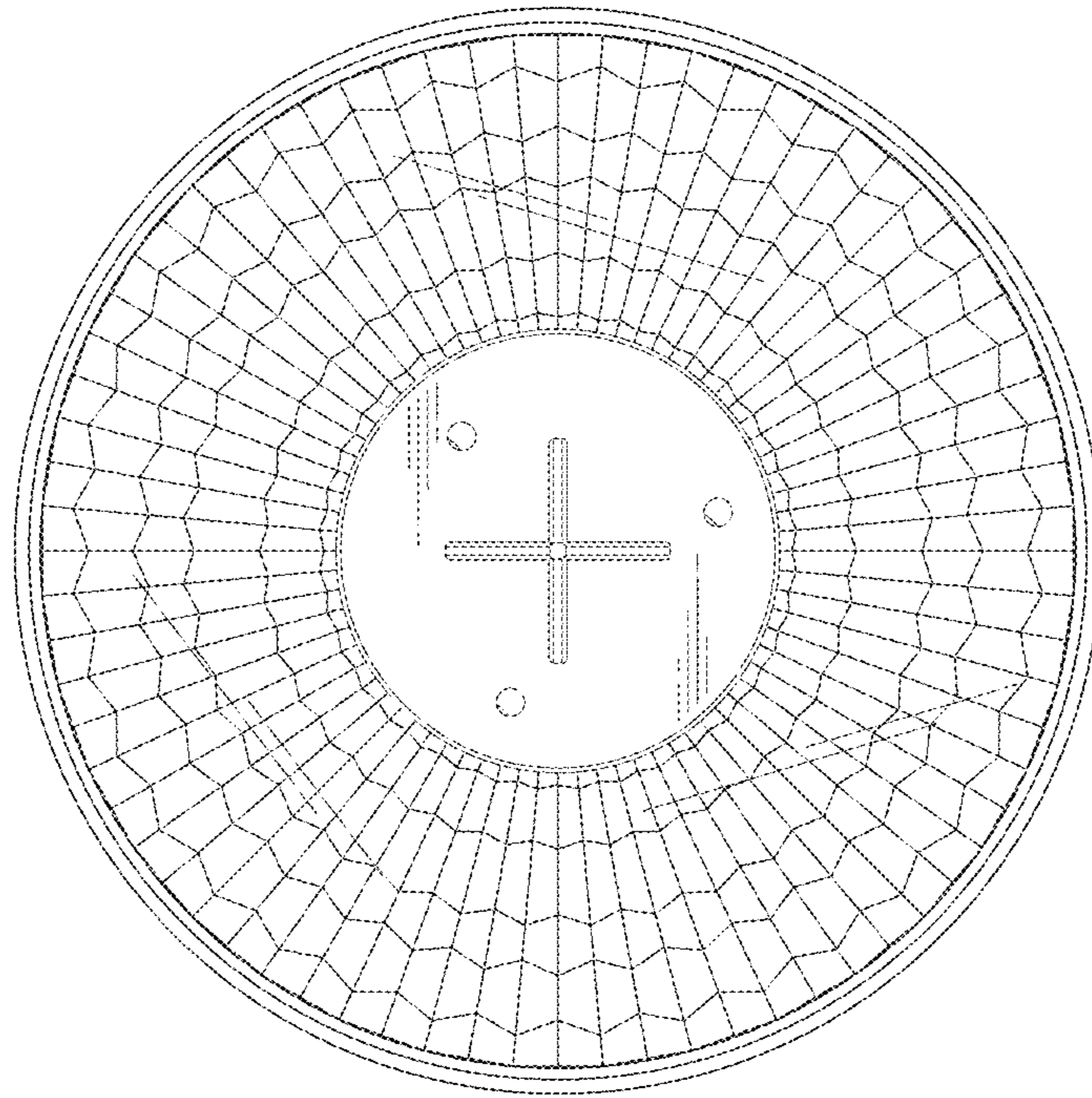


FIG. 8

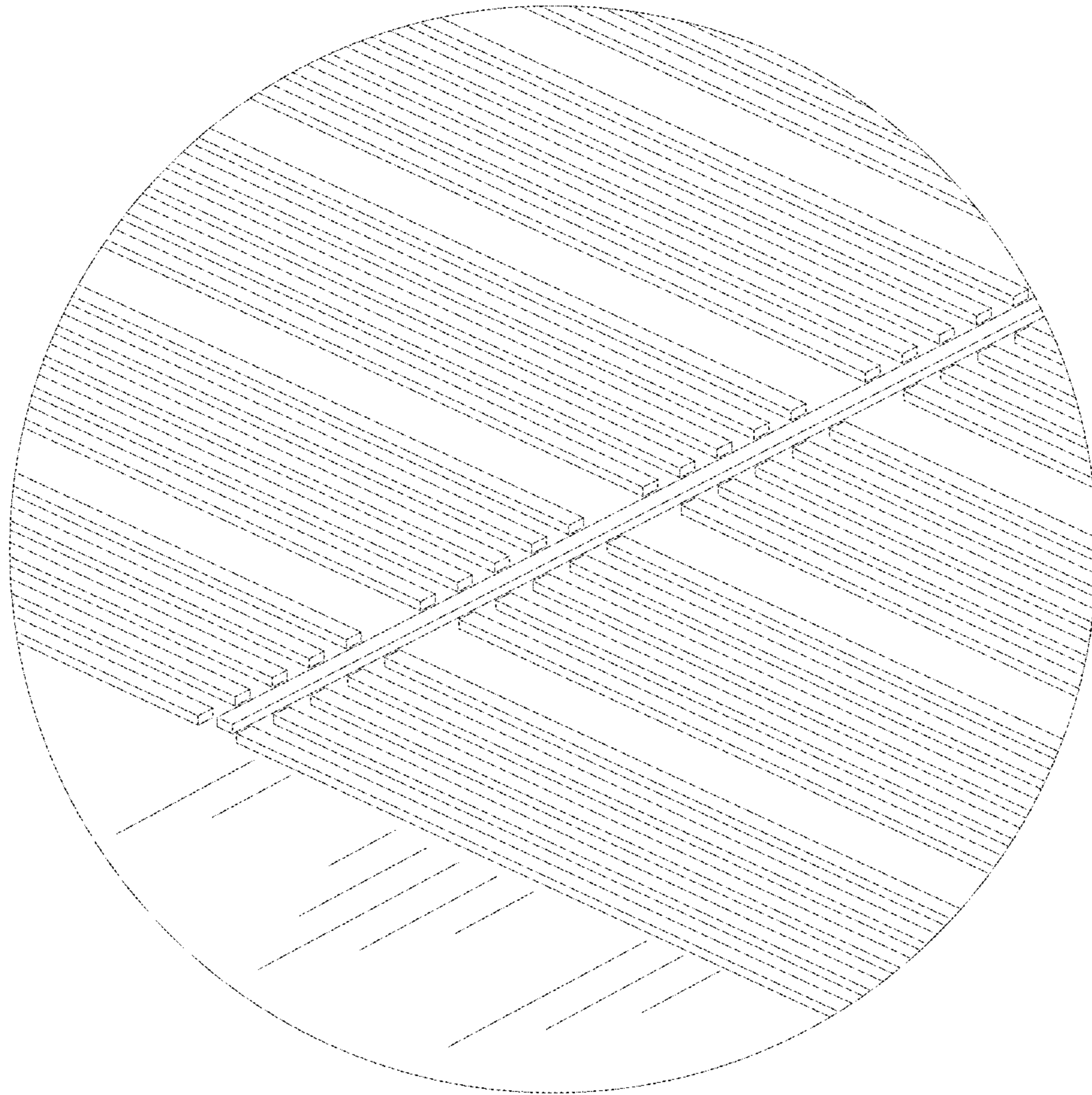


FIG. 9