

US00D969378S

(12) **United States Design Patent**
Jiang

(10) **Patent No.:** **US D969,378 S**

(45) **Date of Patent:** **** Nov. 8, 2022**

(54) **SOLAR LIGHT**

(71) Applicant: **NINGBO JINGHOME IMP & EXP CO., LTD.**, Ningbo (CN)

(72) Inventor: **Qin Jiang**, Ningbo (CN)

(73) Assignee: **NINGBO JINGHOME IMP & EXP CO., LTD.**, Ningbo (CN)

(**) Term: **15 Years**

(21) Appl. No.: **29/814,175**

(22) Filed: **Nov. 4, 2021**

(51) **LOC (13) Cl.** **26-05**

(52) **U.S. Cl.**
USPC **D26/67**

(58) **Field of Classification Search**
USPC D26/67-70, 85
CPC F21S 8/03; F21S 8/033; F21S 8/036; F21S 8/081; F21S 9/037; F21W 2111/02; F21W 2111/023; F21W 2131/109
See application file for complete search history.

(56) **References Cited**

U.S. PATENT DOCUMENTS

D338,080 S *	8/1993	Elazari	D26/68
D517,717 S *	3/2006	Sanoner	D26/68
D574,103 S *	7/2008	Minami	D26/67
D670,017 S *	10/2012	Tortel	D26/135
D672,487 S *	12/2012	Chen	D26/68
D800,940 S *	10/2017	Guzzini	D26/70
D846,791 S	4/2019	Liang		
D874,704 S	2/2020	Jaeger		
D947,435 S *	3/2022	Li	D26/67
D957,713 S *	7/2022	Wang	D26/67

OTHER PUBLICATIONS

FRETECH Solar Pathway Lights, ASIN: B0B6NV5TZN. Available from amazon.com Jul. 15, 2022. (Year: 2022).*
Beau Jardin 8 Pack Solar Landscape Pathway Lights, ASIN: B08HH2NBPY. Available from amazon.com Sep. 4, 2020. (Year: 2020).*
LINKIND Solar Pathway Lights, ASIN: B09GLLRB9V. Available from amazon.com Sep. 18, 2021. (Year: 2021).*
LINKIND Solar Pathway Lights, ASIN: B09P8FQGYQ. Available from amazon.com Apr. 23, 2022. (Year: 2022).*

* cited by examiner

Primary Examiner — Clare E Heflin

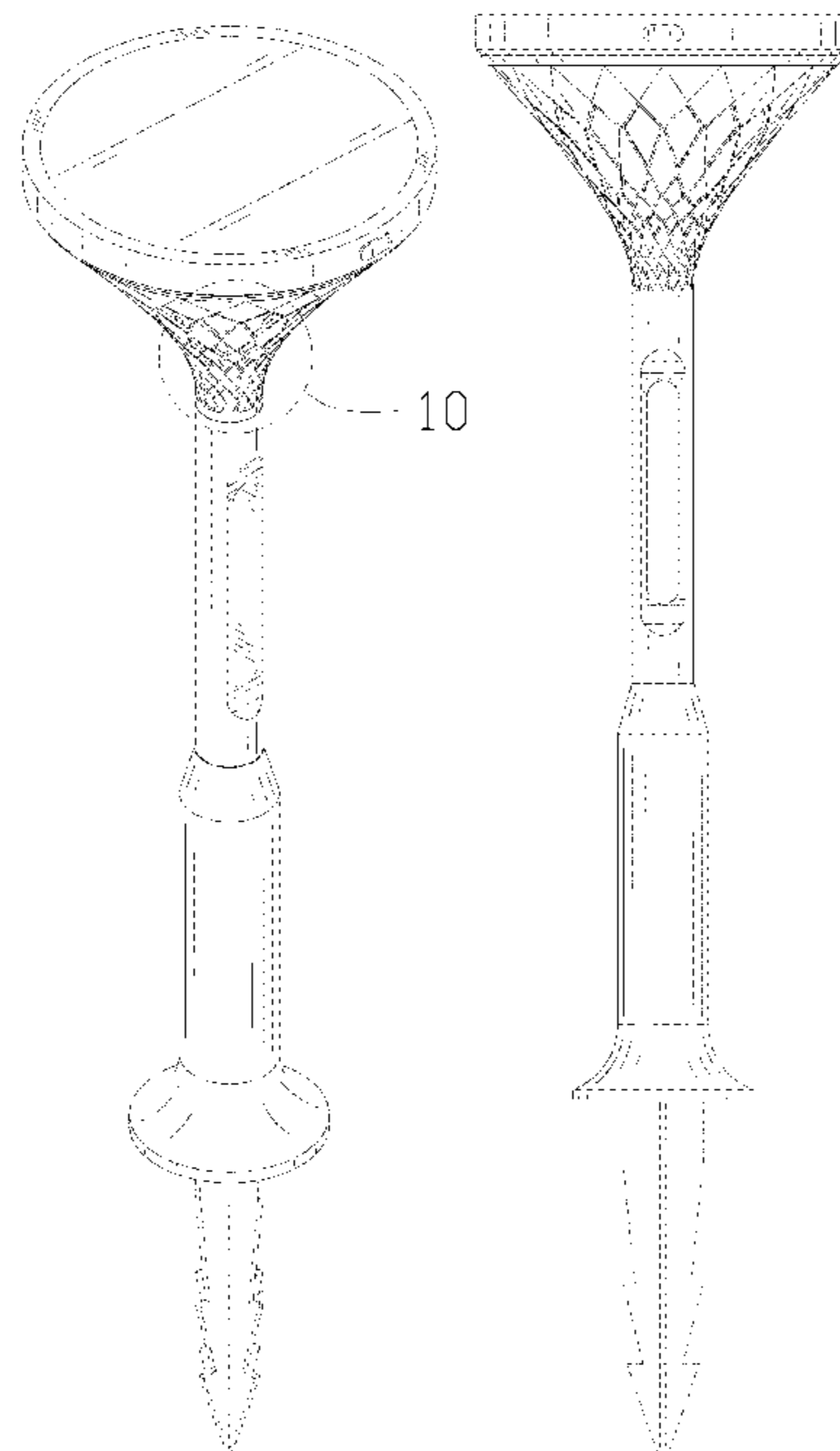
(57) **CLAIM**

The ornamental design for a solar light, as shown and described.

DESCRIPTION

FIG. 1 is a perspective view of a solar light showing my new design;
FIG. 2 is another perspective view thereof;
FIG. 3 is a front elevational view thereof;
FIG. 4 is a rear elevational view thereof;
FIG. 5 is a left side elevational view thereof;
FIG. 6 is a right side elevational view thereof;
FIG. 7 is a top plan view thereof;
FIG. 8 is a bottom plan view thereof;
FIG. 9 is a cross-sectional view taken along the center of FIG. 2; and,
FIG. 10 is an enlarged view of portion 10 shown in FIG. 1. The dash-dash broken lines in the drawings depict portions of the solar light that form no part of the claimed design. The dot-dash broken lines represent boundaries of the enlarged portion and form no part of the claimed design.

1 Claim, 10 Drawing Sheets



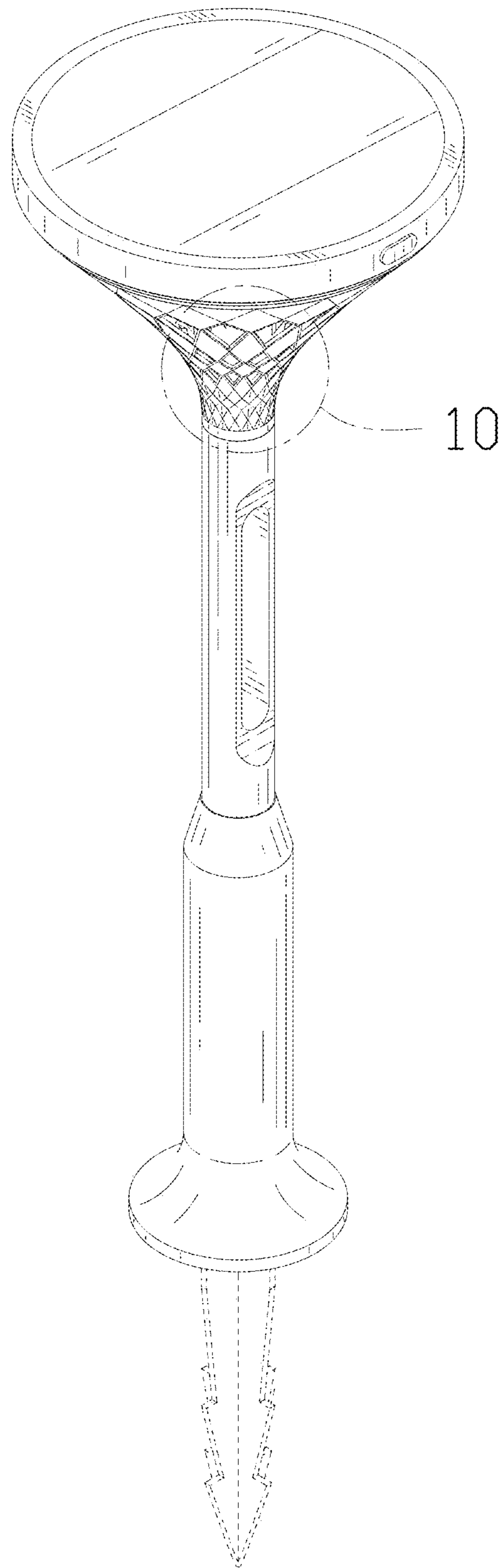


FIG. 1

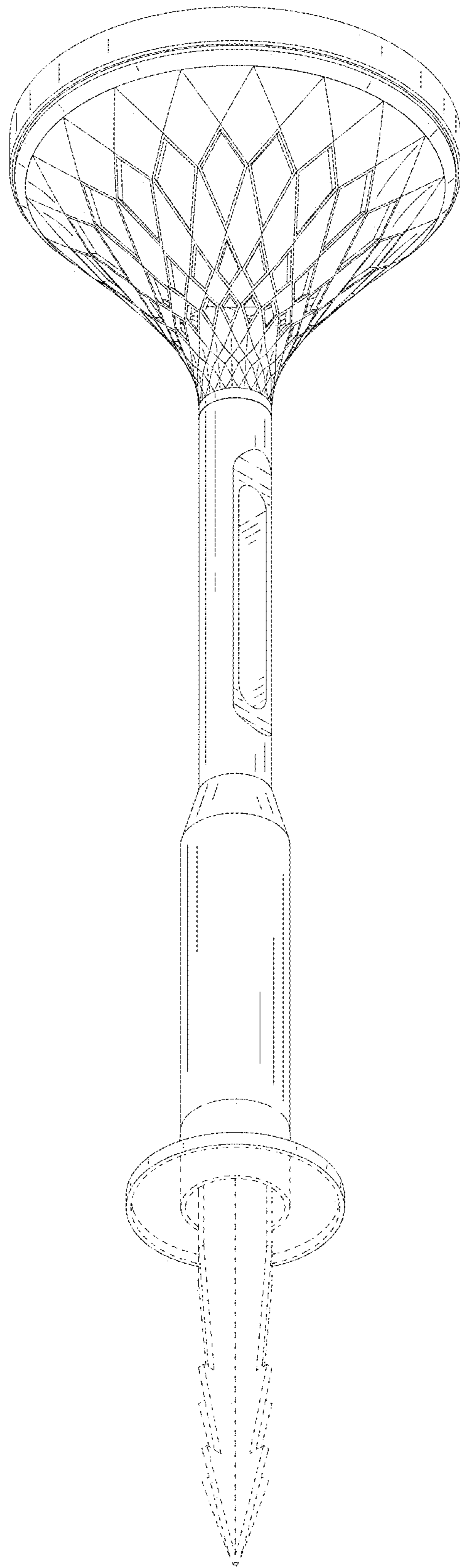


FIG. 2

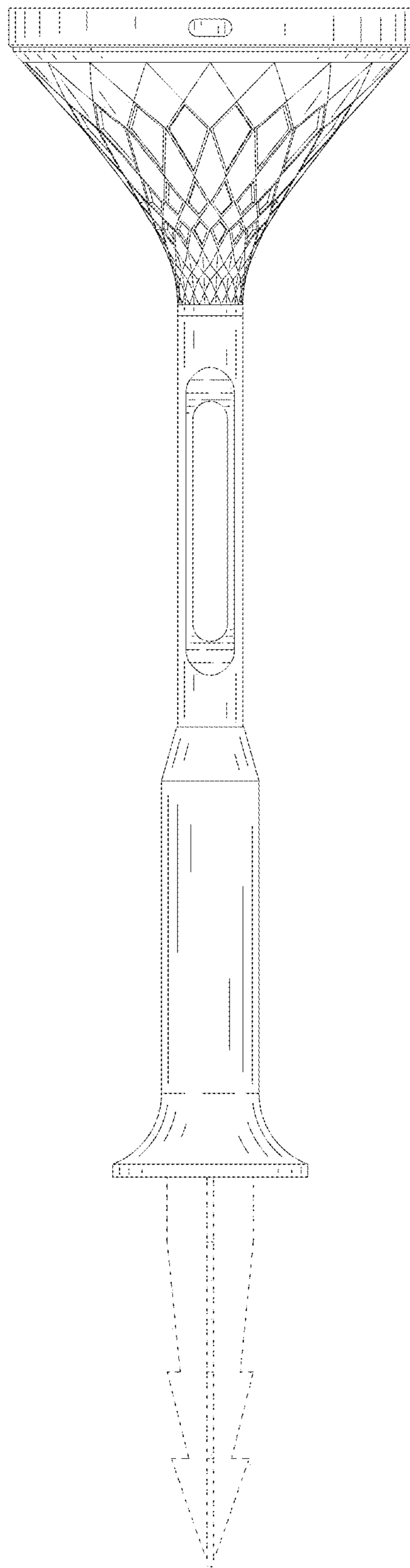


FIG. 3

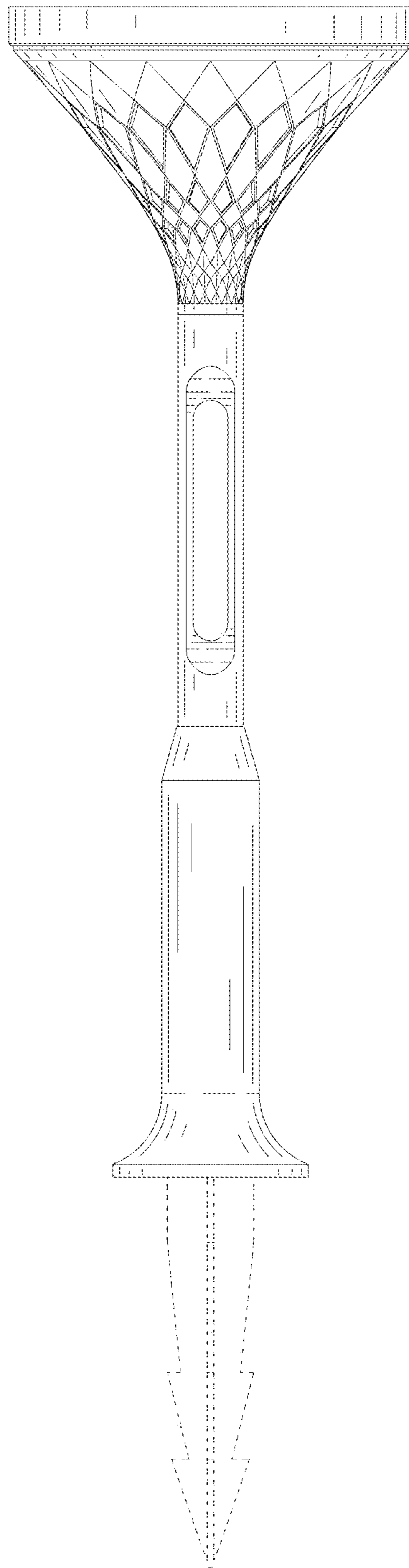


FIG. 4

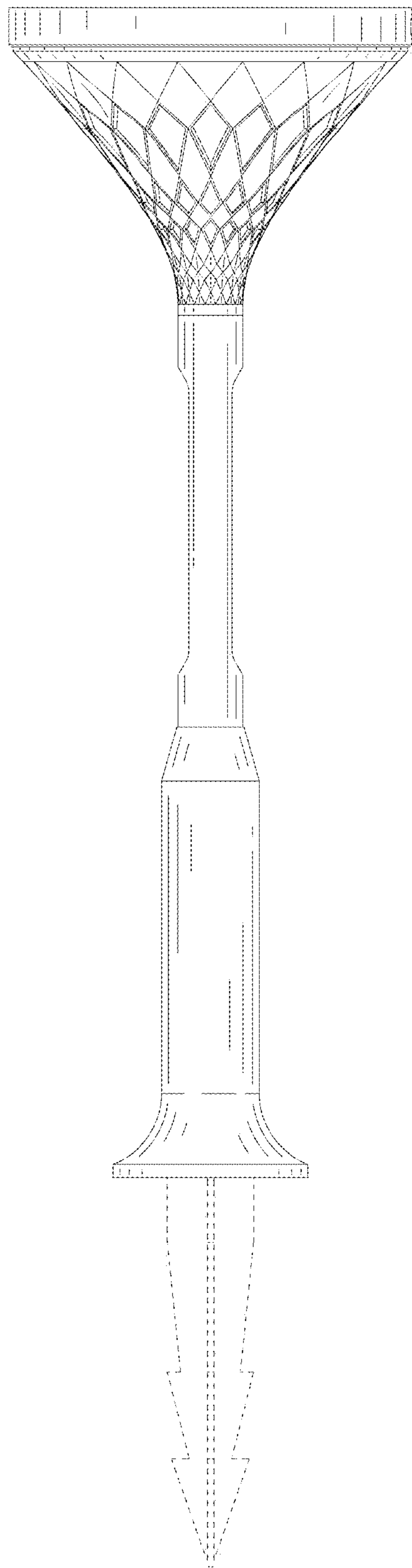


FIG. 5

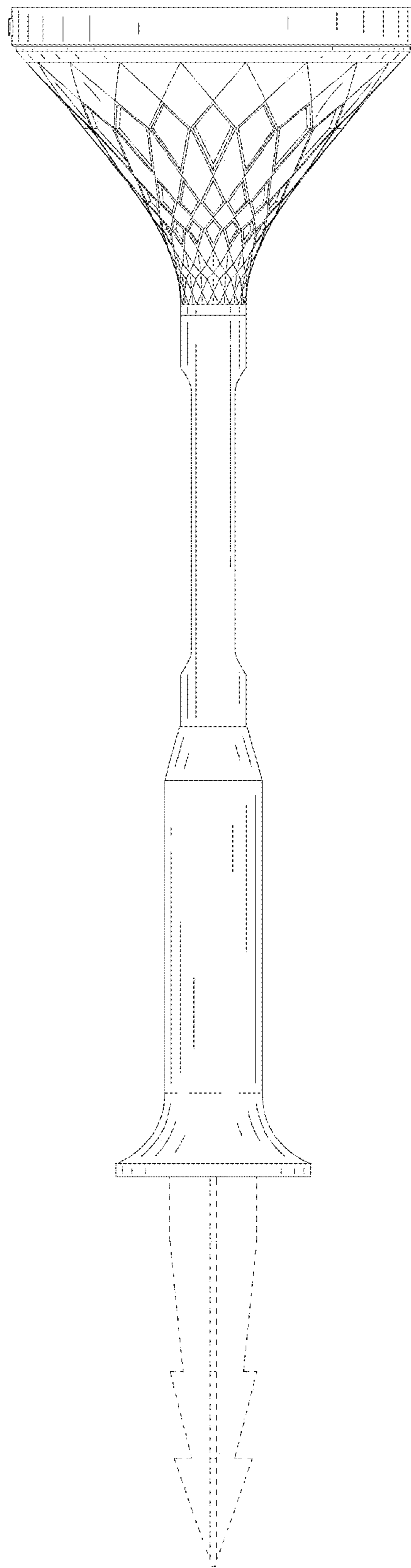


FIG. 6

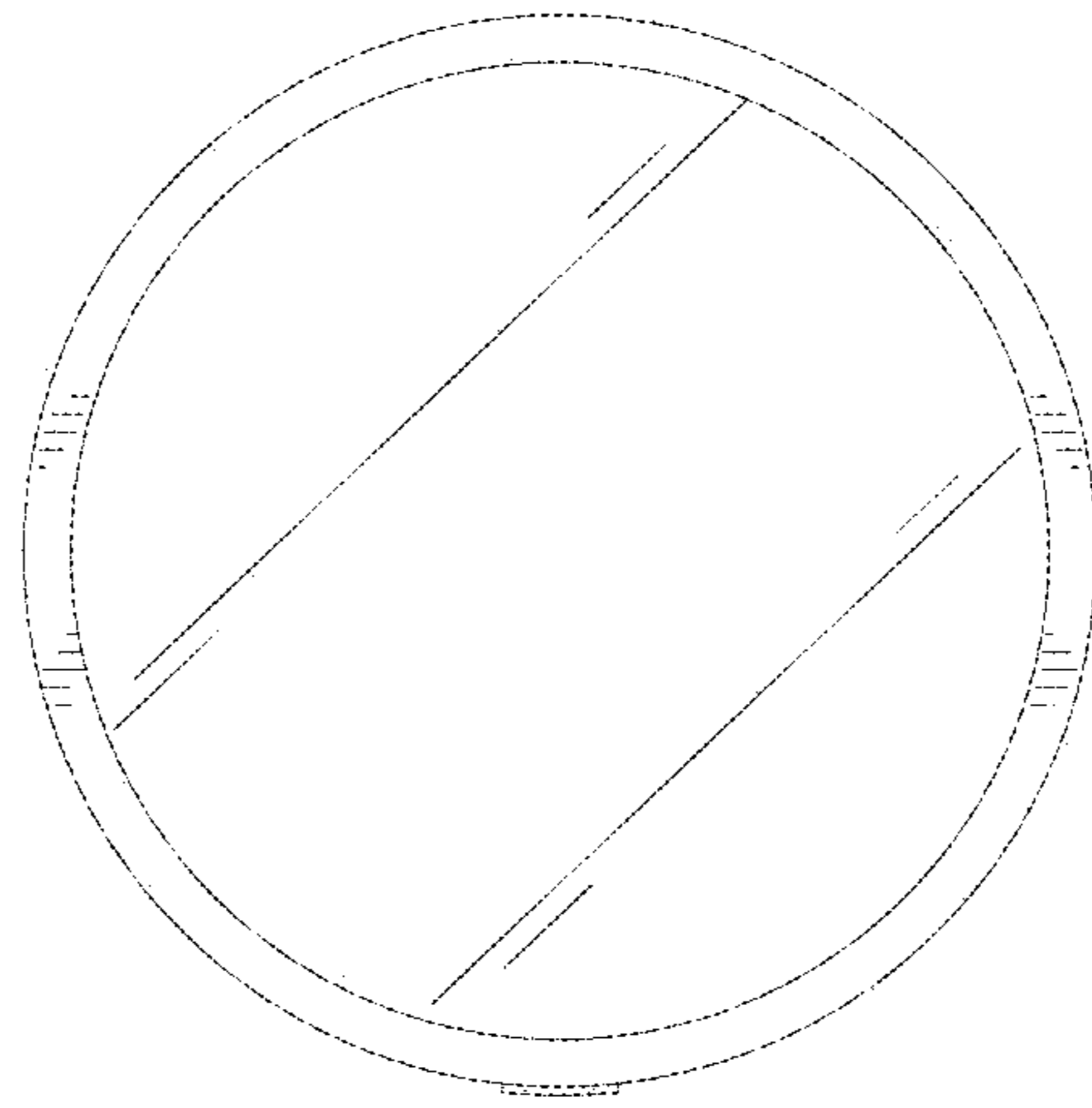


FIG. 7

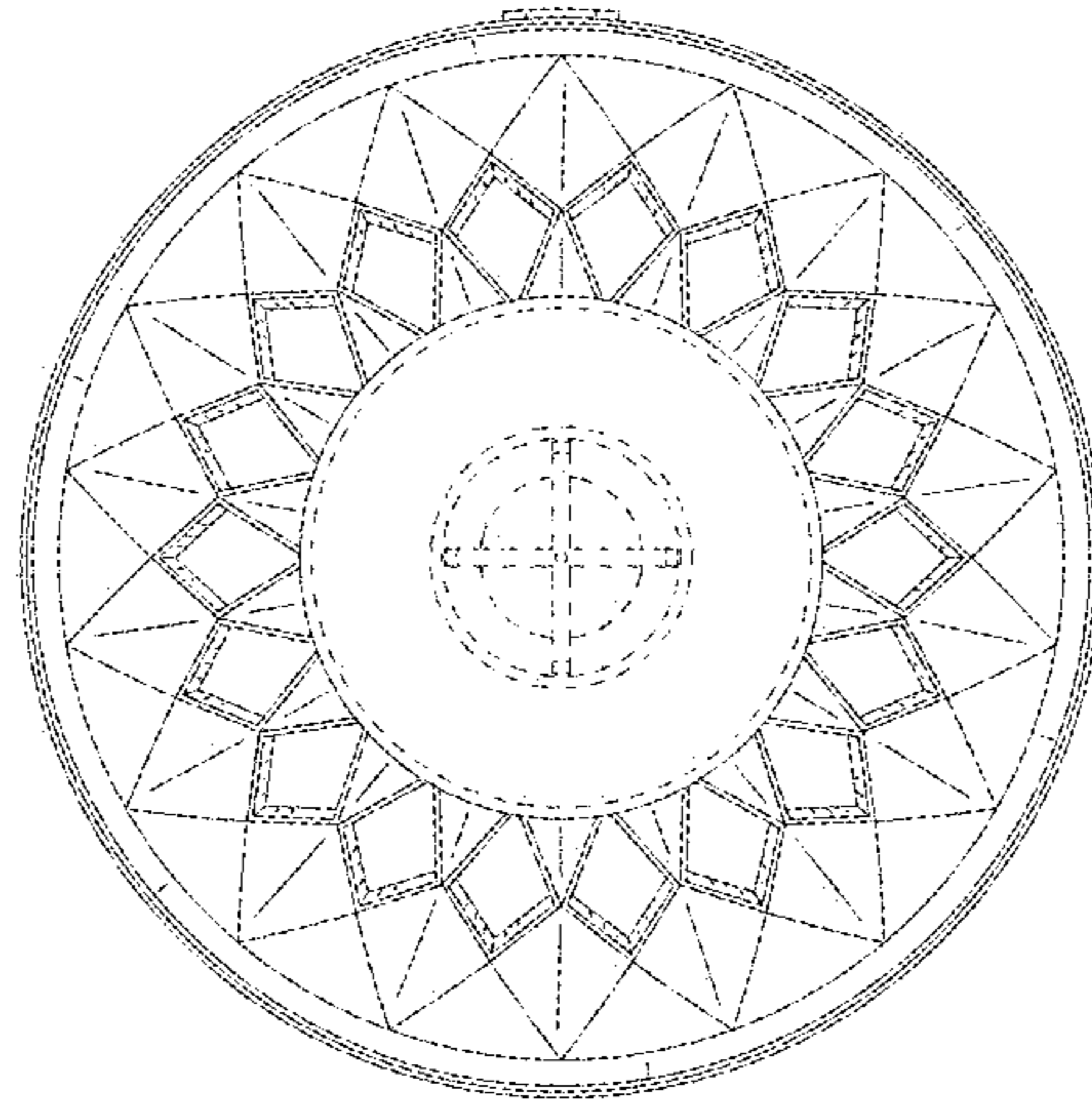


FIG. 8

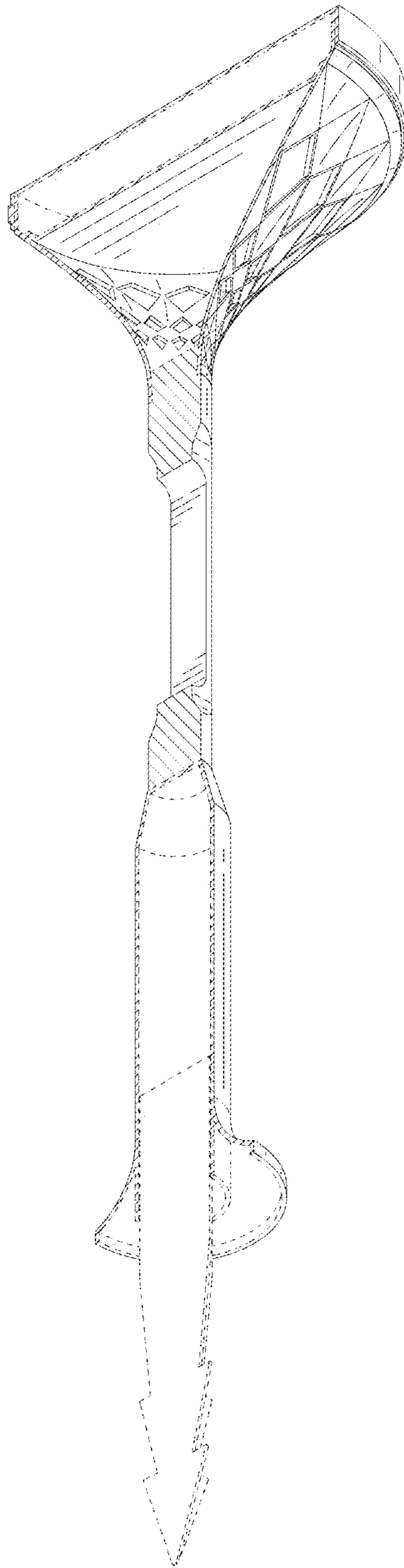


FIG. 9

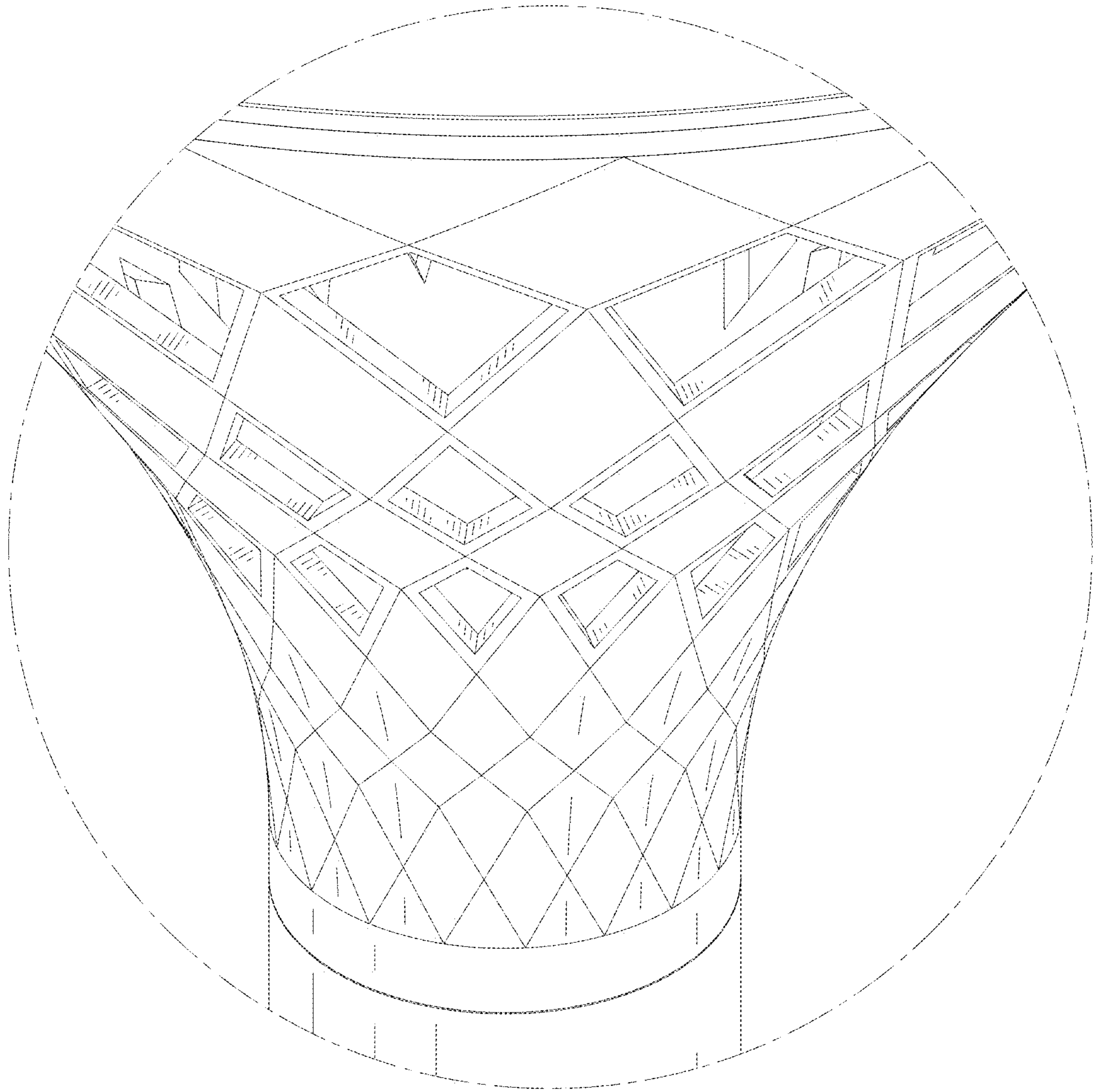


FIG. 10