



US00D969377S

(12) **United States Design Patent**
Gao

(10) **Patent No.:** **US D969,377 S**
(45) **Date of Patent:** **** Nov. 8, 2022**

(54) **SOLAR POST CAP LIGHT**

D809,173 S 1/2018 Schneider
D875,979 S 2/2020 Levy et al.
D945,674 S * 3/2022 Nobes D25/135

(71) Applicant: **SHANGHAI YANYU CULTURAL COMMUNICATION CO., LTD.**,
Shanghai (CN)

(72) Inventor: **Yizhou Gao**, Shanghai (CN)

(73) Assignee: **SHANGHAI YANYU CULTURAL COMMUNICATION CO., LTD.**,
Shanghai (CN)

(**) Term: **15 Years**

(21) Appl. No.: **29/806,245**

(22) Filed: **Sep. 1, 2021**

(51) **LOC (13) Cl.** **26-05**

(52) **U.S. Cl.**
USPC **D26/67; D25/135**

(58) **Field of Classification Search**
USPC D26/67-70, 85; D25/135
CPC F21S 8/03; F21S 8/033; F21S 8/036; F21S 8/081; F21S 9/037; F21W 2111/02; F21W 2111/023; F21W 2131/109
See application file for complete search history.

(56) **References Cited**

U.S. PATENT DOCUMENTS

6,585,398	B1 *	7/2003	Haddad	F21V 5/02 362/253
D496,484	S *	9/2004	Lam	D26/63
7,686,485	B1 *	3/2010	Pever	F21V 27/00 362/153.1
D624,227	S *	9/2010	Grant	D25/135
D670,405	S *	11/2012	McKenzie	D25/135
D693,510	S *	11/2013	Chen	D26/67
D697,246	S *	1/2014	Martzall	D26/67
D744,687	S *	12/2015	Li	D26/67
D807,533	S *	1/2018	Ray	D25/135

OTHER PUBLICATIONS

Barrette Outdoor Living Matte Black Aluminum Rail Solar LED Post Cap, available from homedepot.com as early as May 30, 2022. (Year: 2022).*
Wolf Building Products Solar Light Post Cap, Model No. #141774, available from <https://www.shagbarklumber.com/p/solar-light-post-cap-white-090489233853>. Website visited Sep. 19, 2022. (Year: 2022).*
Solpex Solar Post Cap Lights, ASIN: B0B67YJ8CN. Available from amazon.com Jul. 11, 2022. (Year: 2022).*
Dynaming 6 Pack Solar Post Lights, ASIN: B09N6ZT57Q. Available from amazon.com Dec. 7, 2021. (Year: 2021).*

* cited by examiner

Primary Examiner — Clare E Heflin
(74) *Attorney, Agent, or Firm* — ScienBiziP, P.C.

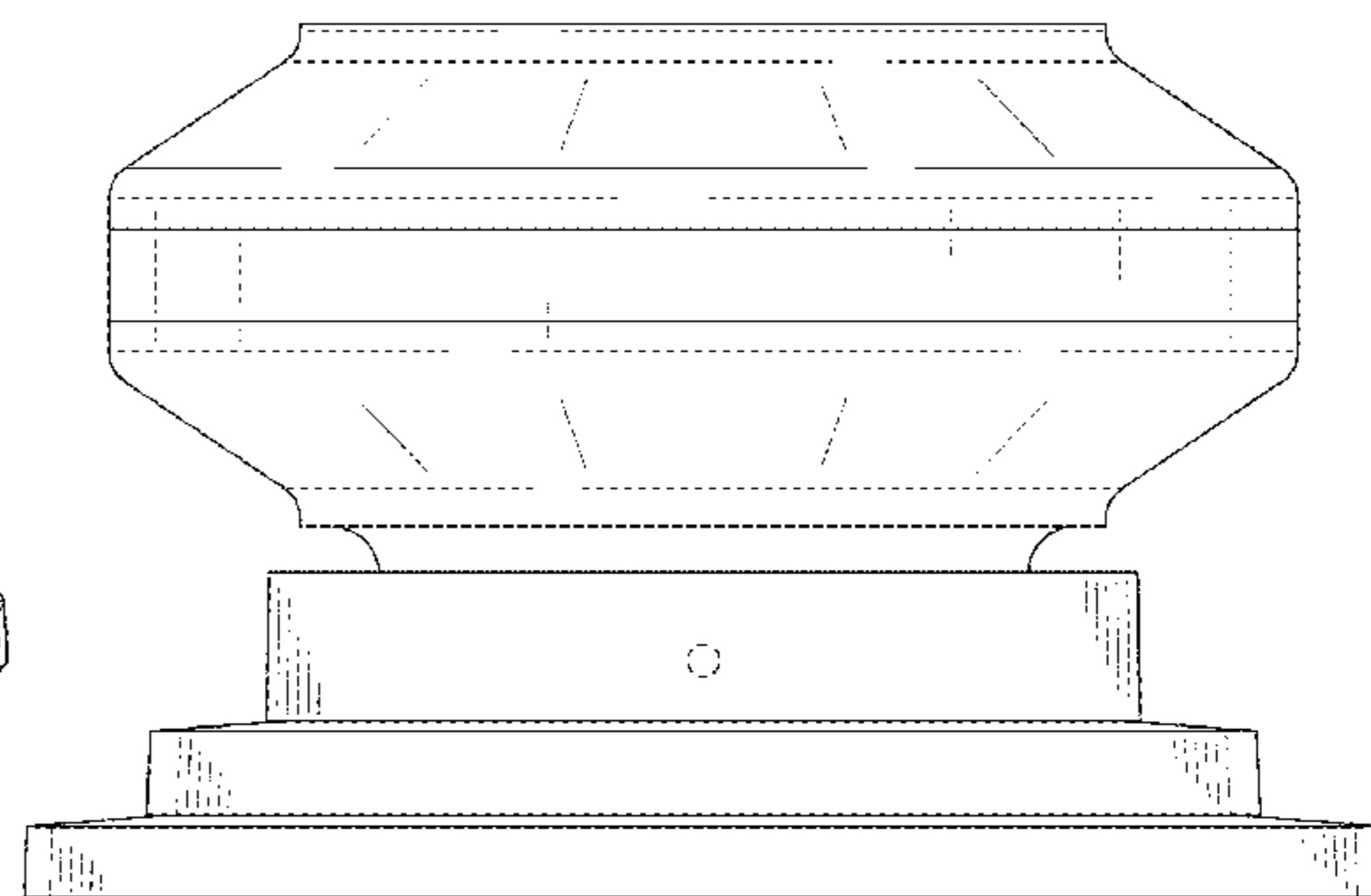
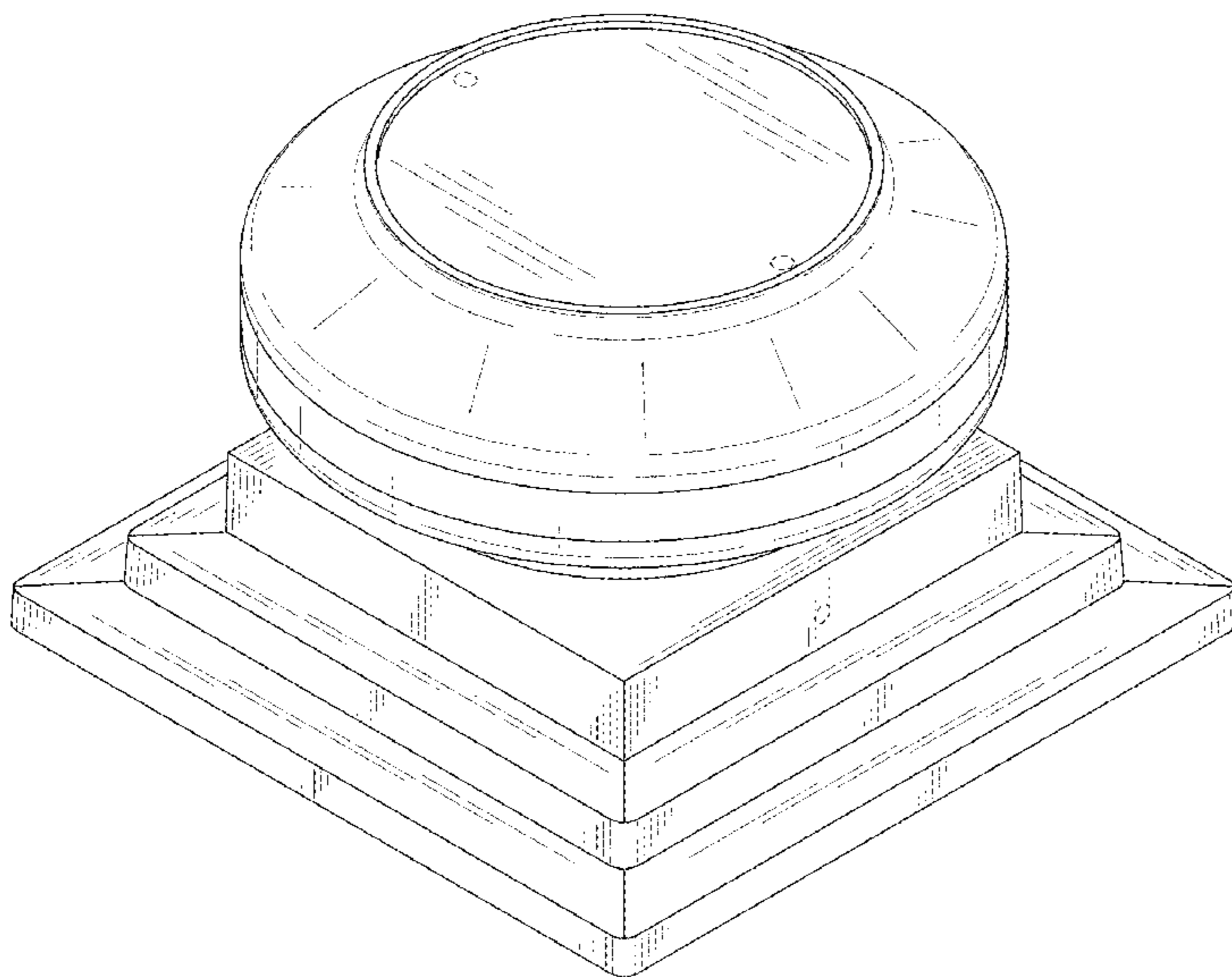
(57) **CLAIM**

The ornamental design for a solar post cap light, as shown and described.

DESCRIPTION

FIG. 1 is a front, left, and top perspective view of a solar post cap light, showing my design.
FIG. 2 is a rear, right, and bottom perspective view thereof.
FIG. 3 is a front elevation view thereof.
FIG. 4 is a rear elevation view thereof.
FIG. 5 is a left side elevation view thereof.
FIG. 6 is a right side elevation view thereof.
FIG. 7 is a top plan view thereof; and,
FIG. 8 is a bottom plan view thereof.
The broken lines in the drawings depict portions of the solar post cap light that form no part of the claimed design.

1 Claim, 8 Drawing Sheets



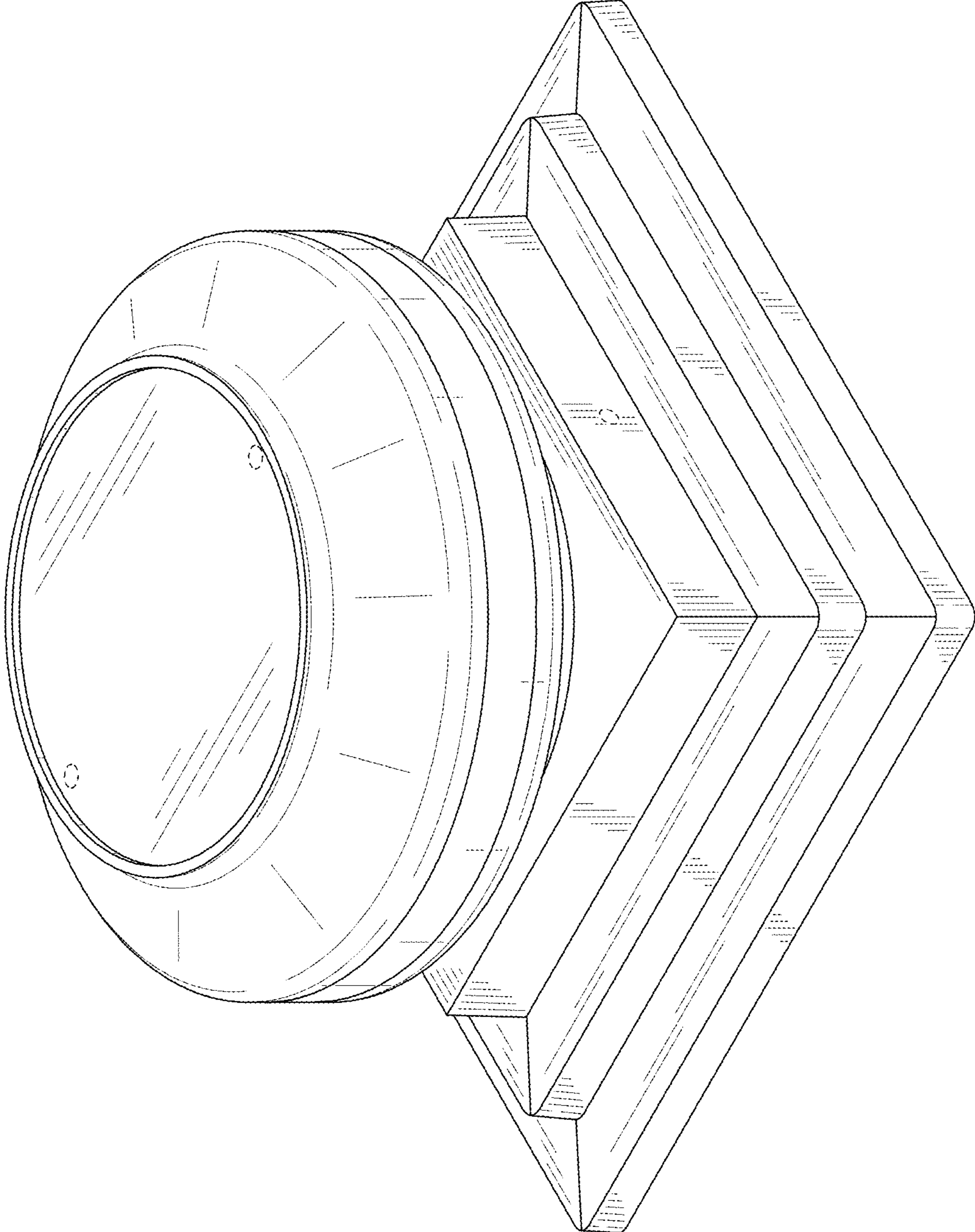


FIG. 1

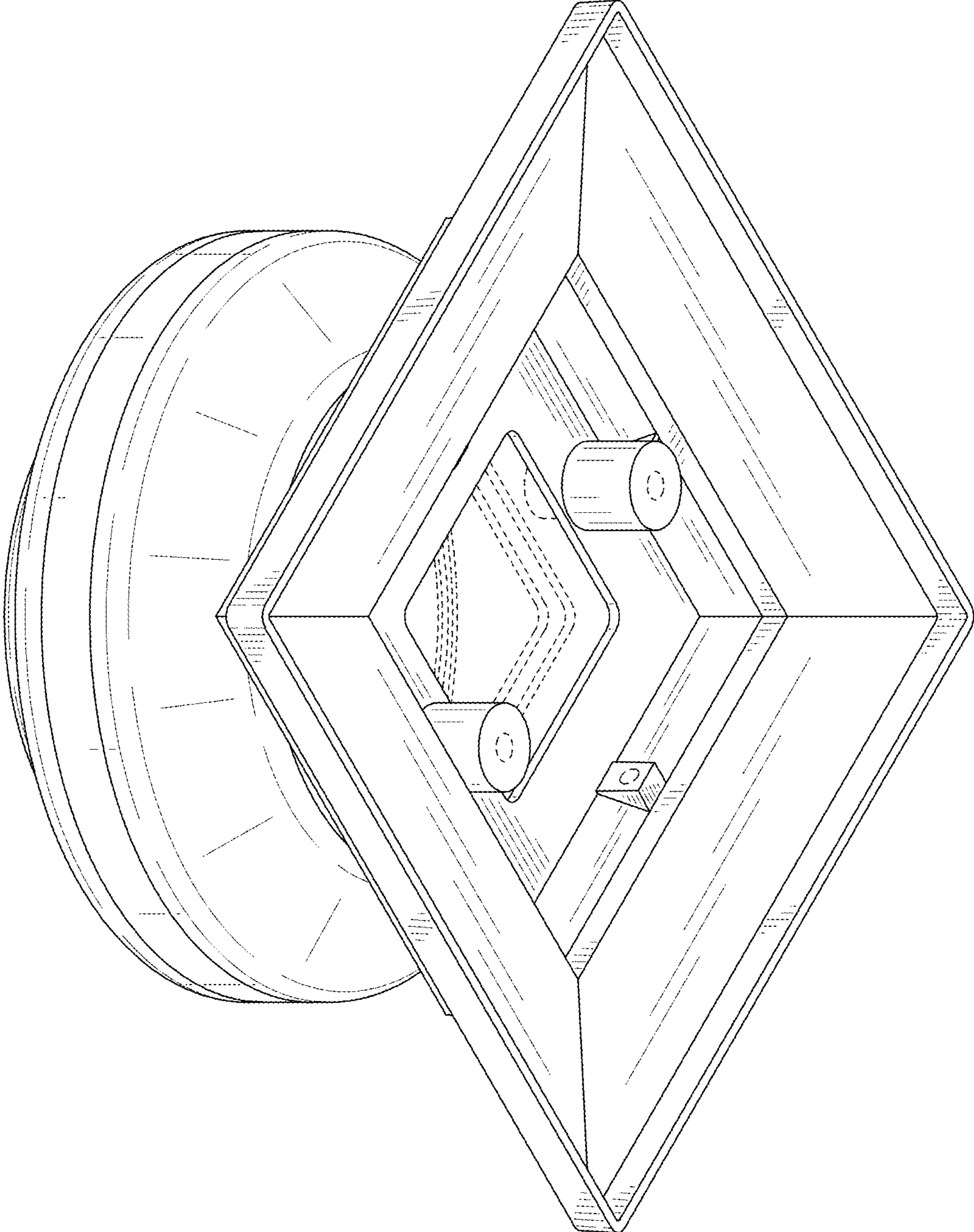


FIG. 2

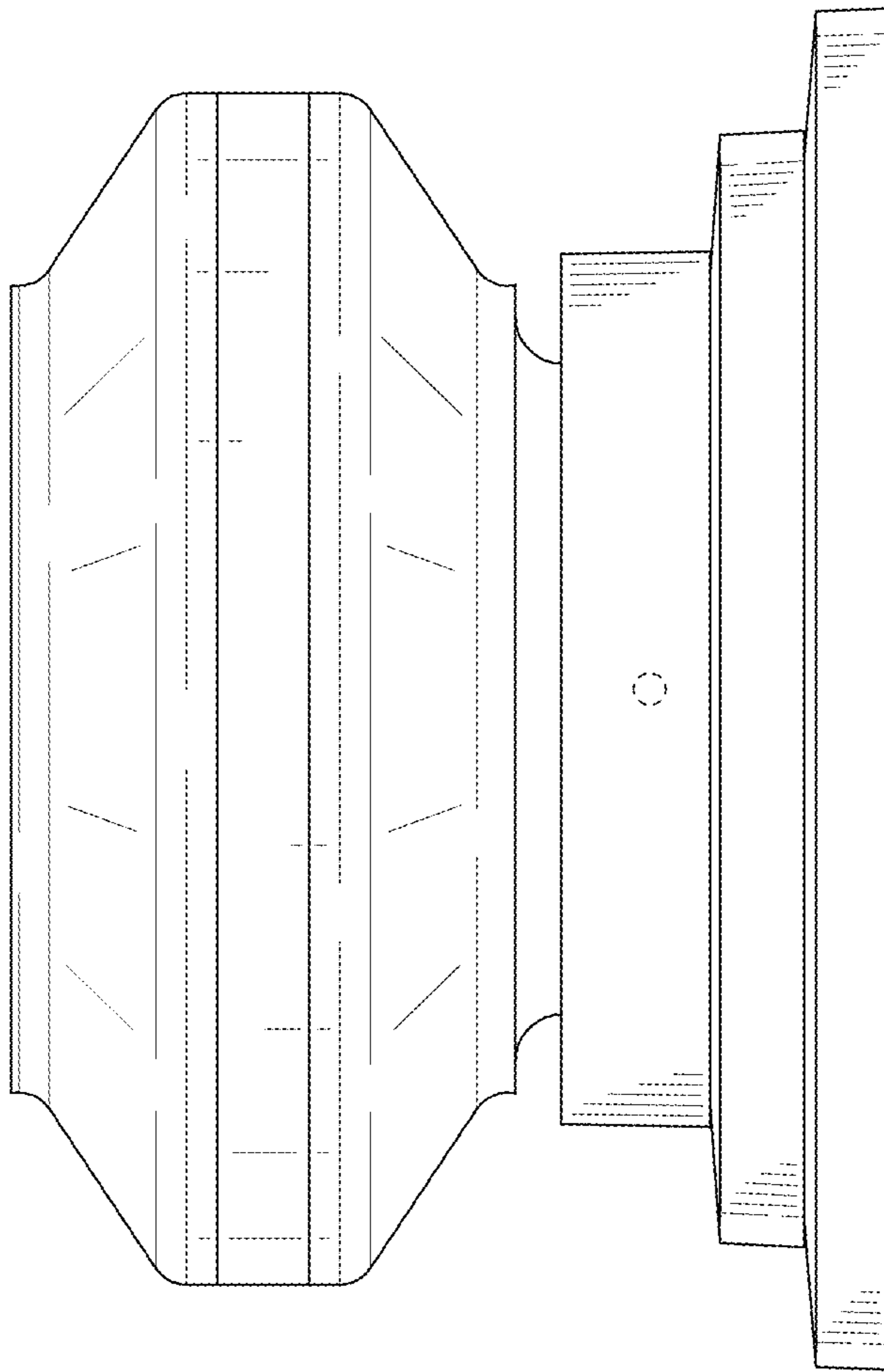


FIG. 3

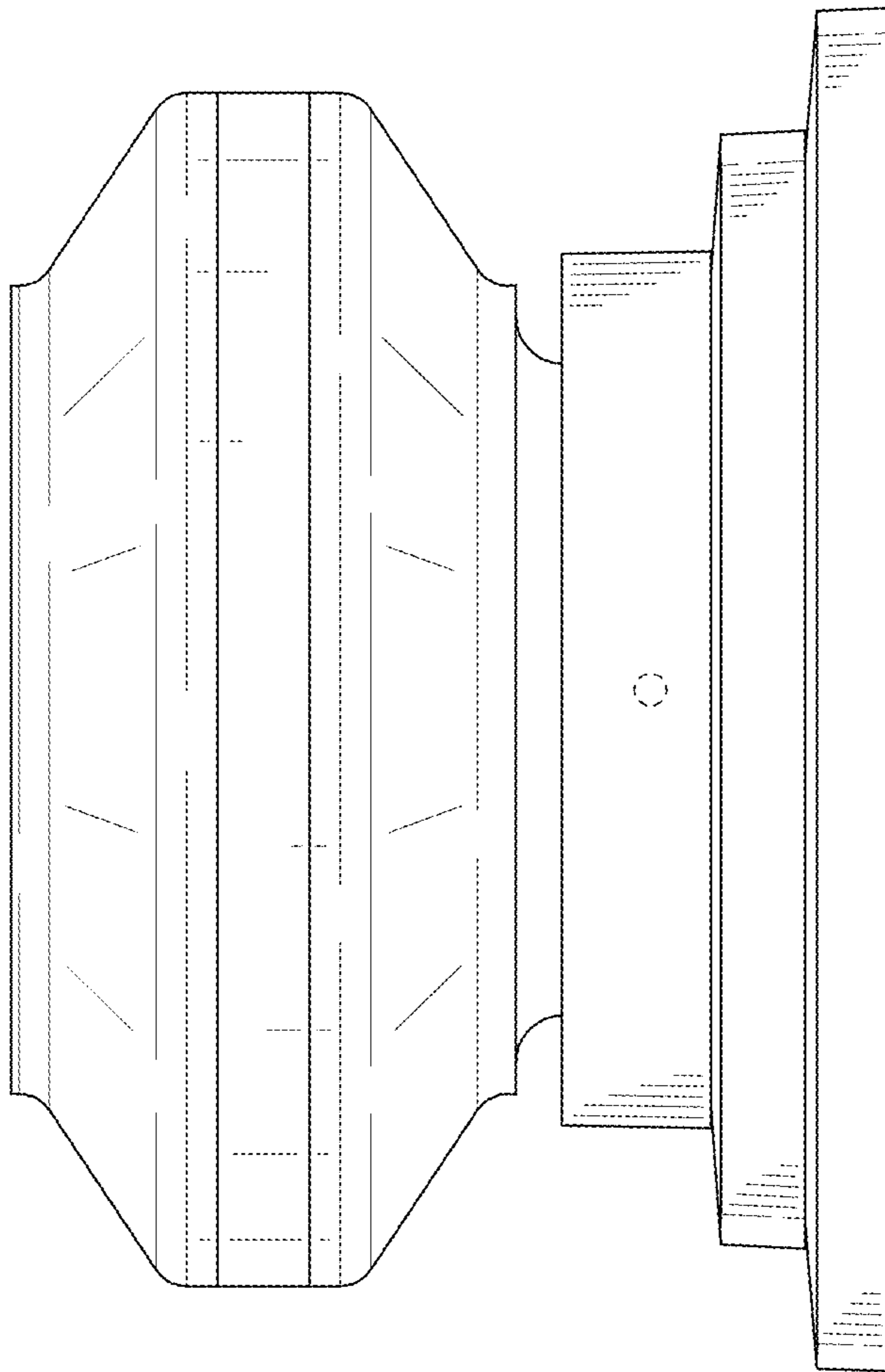


FIG. 4

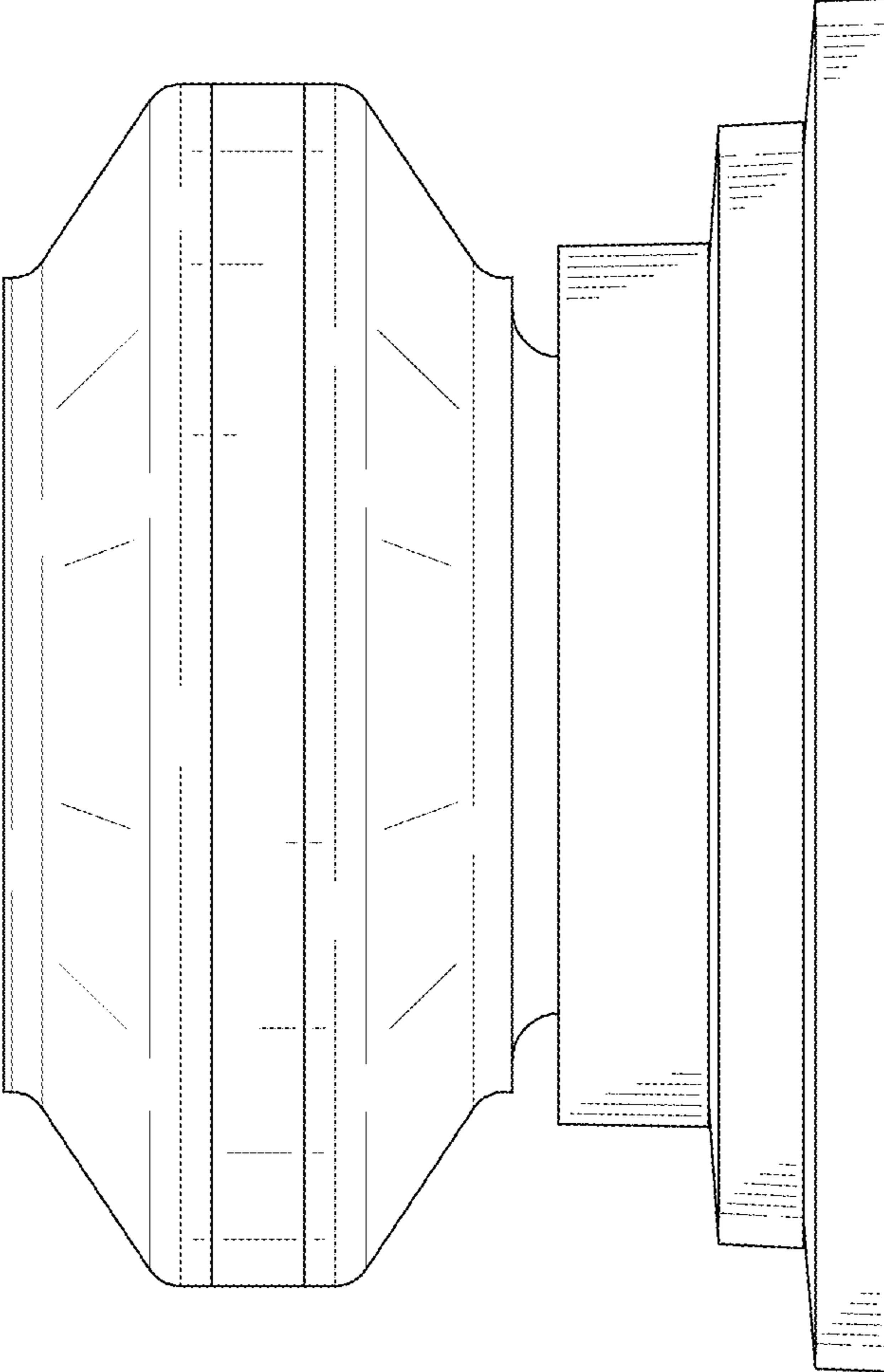


FIG. 5

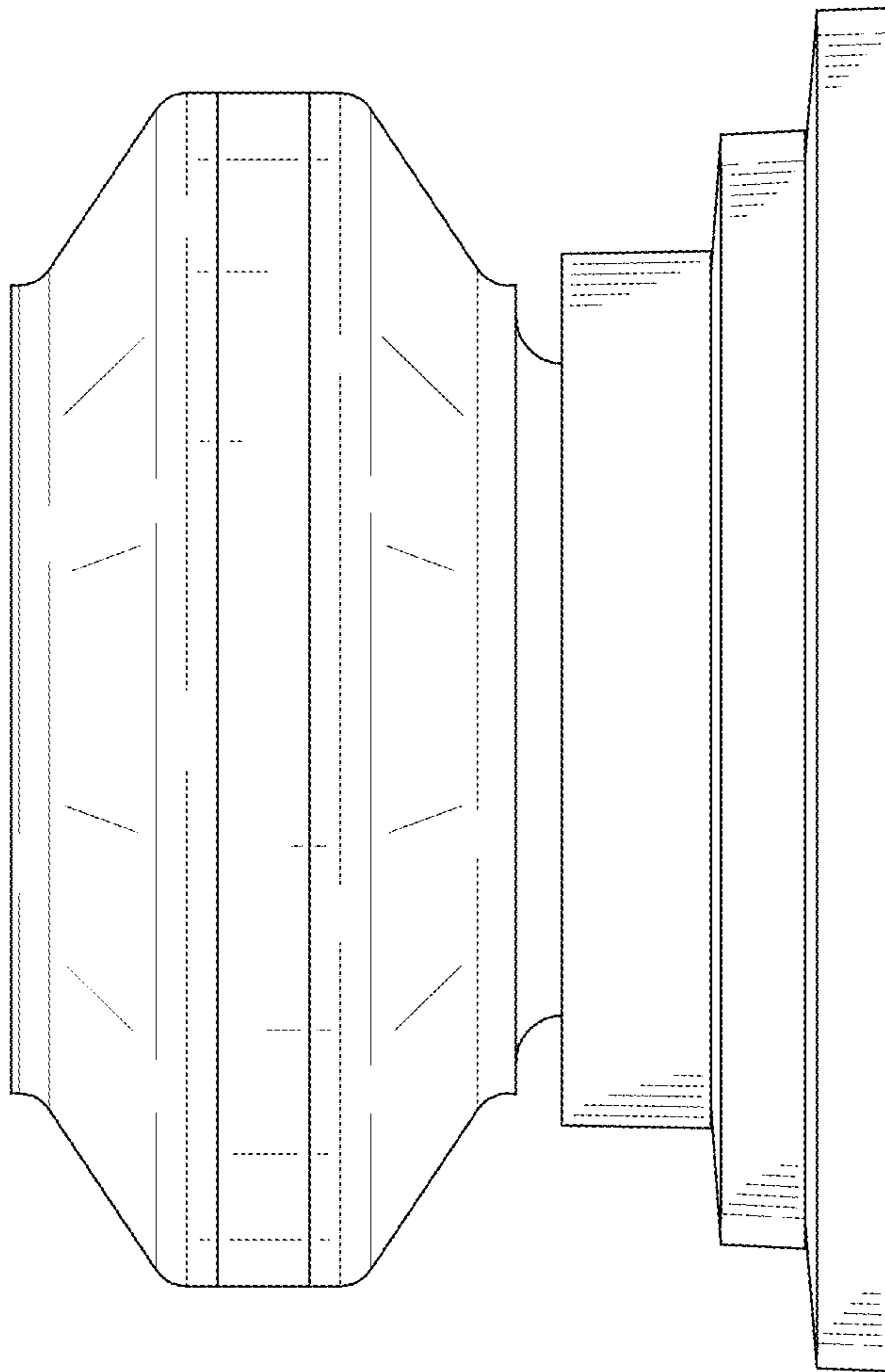


FIG. 6

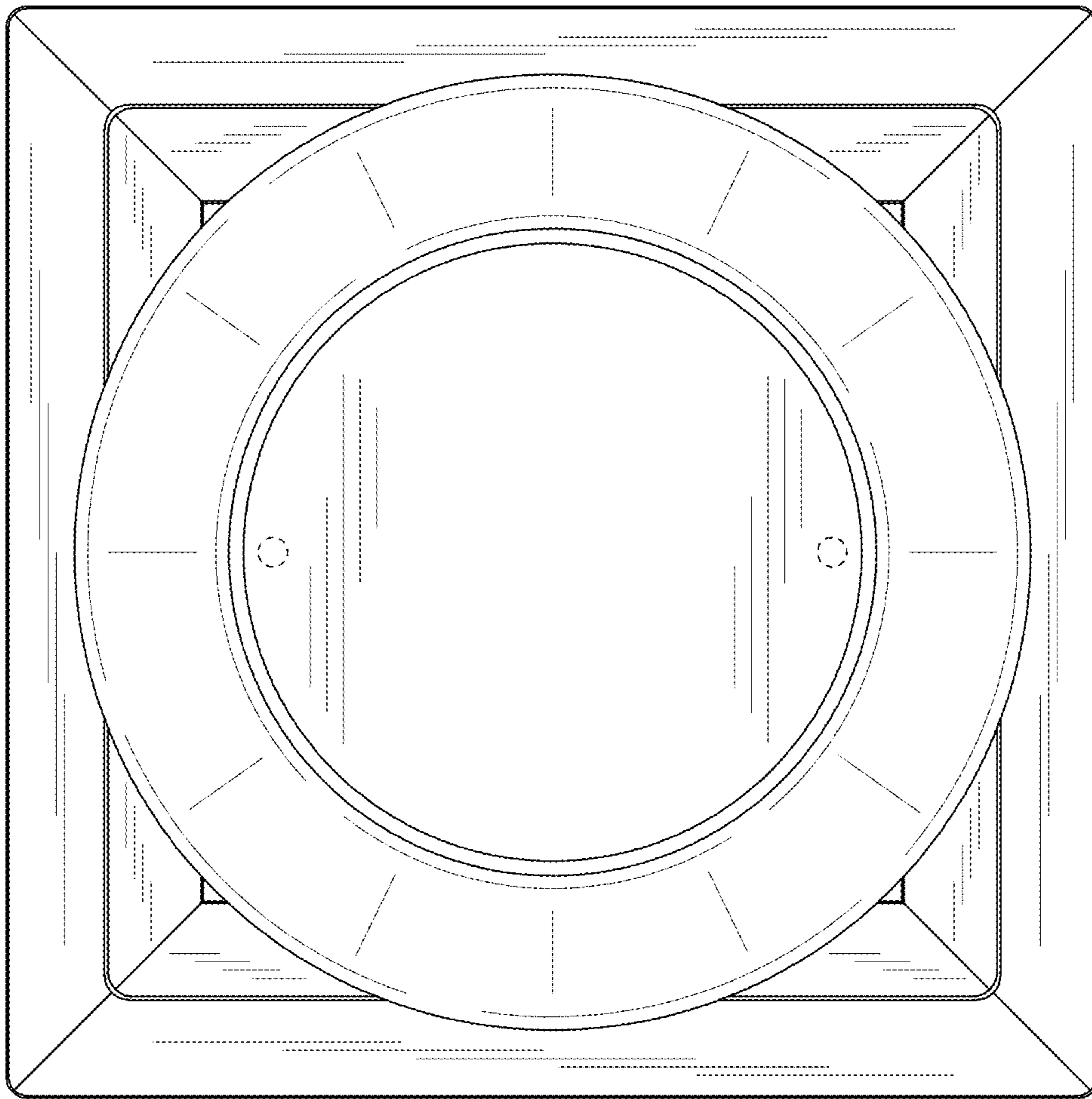


FIG. 7

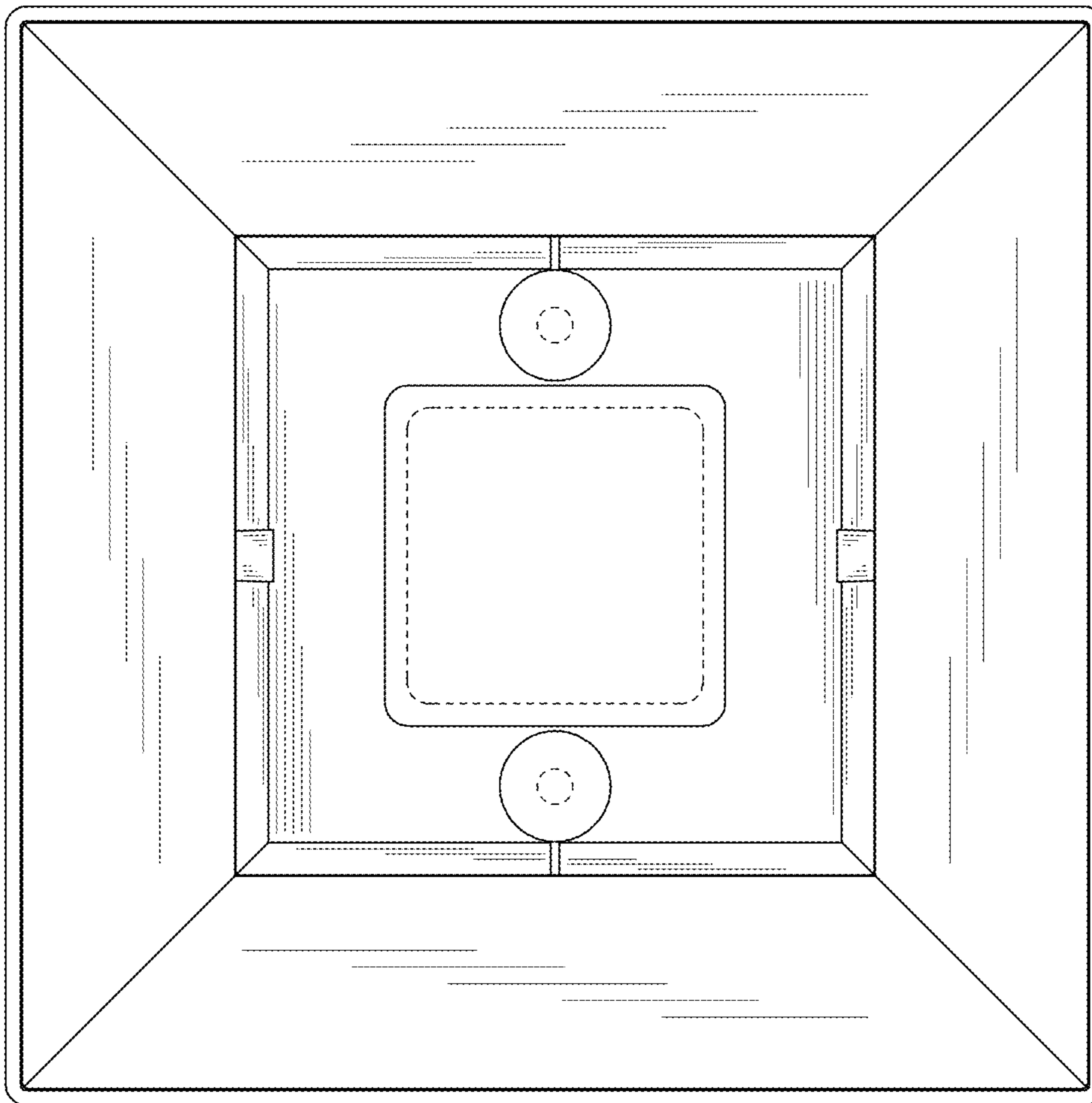


FIG. 8