



US00D969376S

(12) **United States Design Patent** (10) **Patent No.:** **US D969,376 S**  
**Zeng** (45) **Date of Patent:** **\*\* Nov. 8, 2022**

(54) **POLE LIGHT**

(71) Applicant: **Zhenzhen Zeng**, Shenzhen (CN)

(72) Inventor: **Zhenzhen Zeng**, Shenzhen (CN)

(\*\*) Term: **15 Years**

(21) Appl. No.: **29/787,639**

(22) Filed: **Jun. 8, 2021**

(51) **LOC (13) Cl.** ..... **26-05**

(52) **U.S. Cl.**

USPC ..... **D26/67; D26/85**

(58) **Field of Classification Search**

USPC ..... D26/67-70, 85; D25/135

CPC .... F21S 8/03; F21S 8/033; F21S 8/036; F21S  
8/081; F21S 9/037; F21W 2111/02;  
F21W 2111/023; F21W 2131/109

See application file for complete search history.

(56) **References Cited**

**U.S. PATENT DOCUMENTS**

D79,964 S *	11/1929	Hanna	.....	D26/67
D457,979 S *	5/2002	Chen	.....	D26/72
D495,084 S *	8/2004	Hon	.....	D26/67
D553,285 S *	10/2007	Curtin	.....	D26/67
D629,950 S *	12/2010	Izardel	.....	D26/67
D666,758 S *	9/2012	Ho	.....	D26/67
8,382,347 B2 *	2/2013	McCanless	.....	F21V 15/01 362/249.02
D693,953 S *	11/2013	Yang	.....	D26/104
D822,866 S *	7/2018	Chen	.....	D26/67
10,845,039 B2	11/2020	Chamberlain et al.		
D910,897 S *	2/2021	Liu	.....	D26/67
D923,846 S *	6/2021	Peng	.....	D26/67
11,021,843 B2	6/2021	Sung et al.		
D961,142 S *	8/2022	Zhuang	.....	D26/67
2002/0148183 A1 *	10/2002	Grant	.....	F21S 8/081 52/302.5

2005/0247920 A1 *	11/2005	Burkart	.....	E04H 17/20 256/1
2008/0232094 A1 *	9/2008	Ramsdell	.....	F21S 8/088 362/183
2015/0103518 A1 *	4/2015	Zhu	.....	F21S 9/037 362/183

**FOREIGN PATENT DOCUMENTS**

CN	112254054 A	1/2021
CN	112344272 A	2/2021

**OTHER PUBLICATIONS**

Suponar Metal Solar Post Light ASIN: B093KV9ZK5. Available from amazon.com Apr. 27, 2021. (Year: 2021).\*

Suponar Metal Solar Post Light ASIN: B09HKQ2TYH. Available from amazon.com Sep. 30, 2021. (Year: 2021).\*

Derynome Fence Post Solar Light ASIN: B093GB45CC. Available from amazon.com Apr. 26, 2021. (Year: 2021).\*

(Continued)

*Primary Examiner* — Clare E Heflin

(57) **CLAIM**

The ornamental design for a pole light, as shown and described.

**DESCRIPTION**

FIG. 1 is a front, top perspective view of a pole light showing my new design;

FIG. 2 is a rear, bottom perspective view thereof;

FIG. 3 is a front elevation view thereof;

FIG. 4 is a rear elevation view thereof;

FIG. 5 is a left side elevation view thereof;

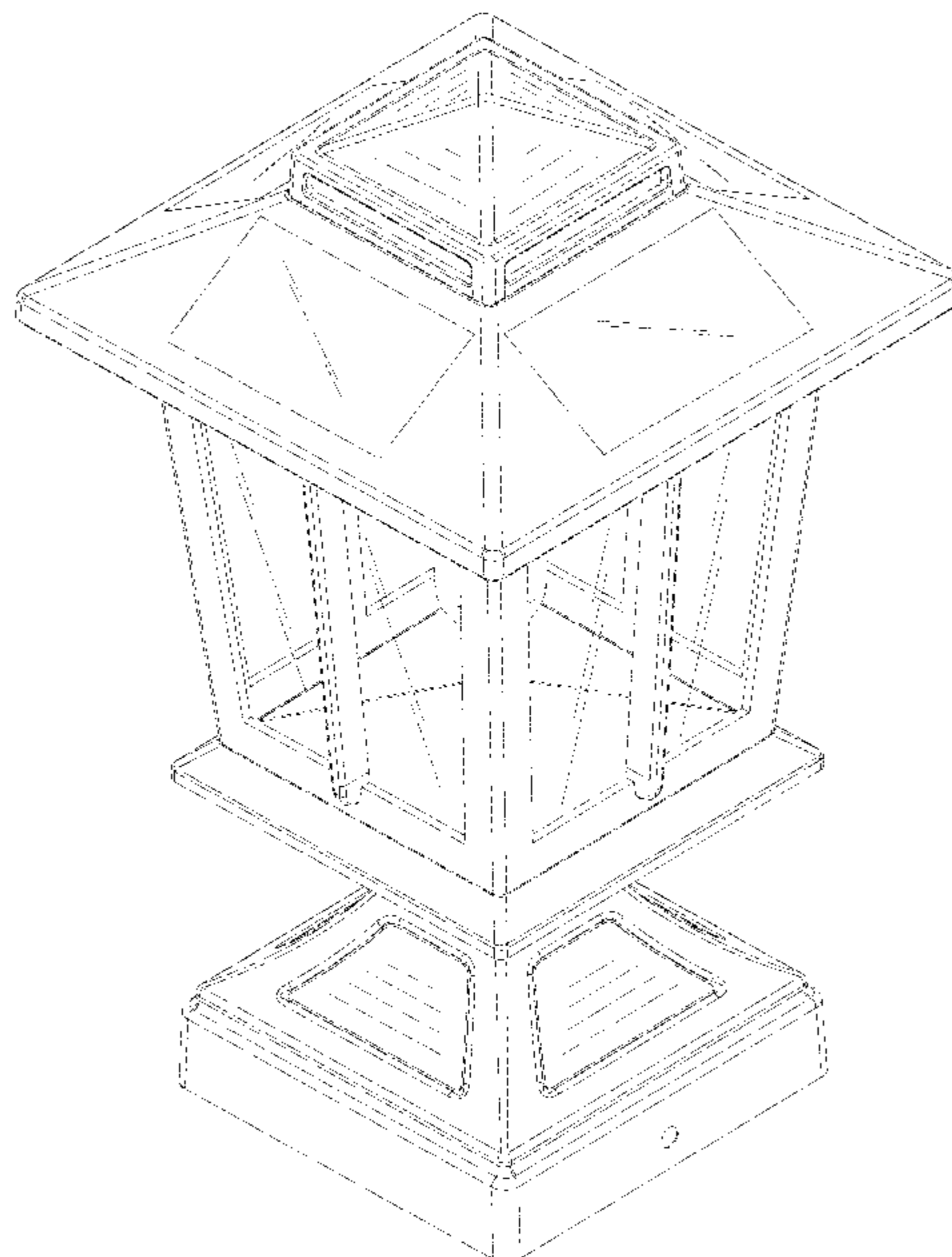
FIG. 6 is a right side elevation view thereof;

FIG. 7 is a top plan view thereof; and,

FIG. 8 is a bottom plan view thereof.

The broken lines shown in the figures depict the portions of the article that form no part of the claimed design.

**1 Claim, 8 Drawing Sheets**



(56)

**References Cited**

OTHER PUBLICATIONS

Pasamic 2 Pack Solar Wall Lanterns with 4 Solar Panels, ASIN: B08Q3791H5. Available from amazon.com Dec. 9, 2020. (Year: 2020).\*

Supinar Metal Solar Post Lights ASIN: B093KV9ZK5. First available from amazon.com Apr. 27, 2021. (Year: 2021).\*

\* cited by examiner

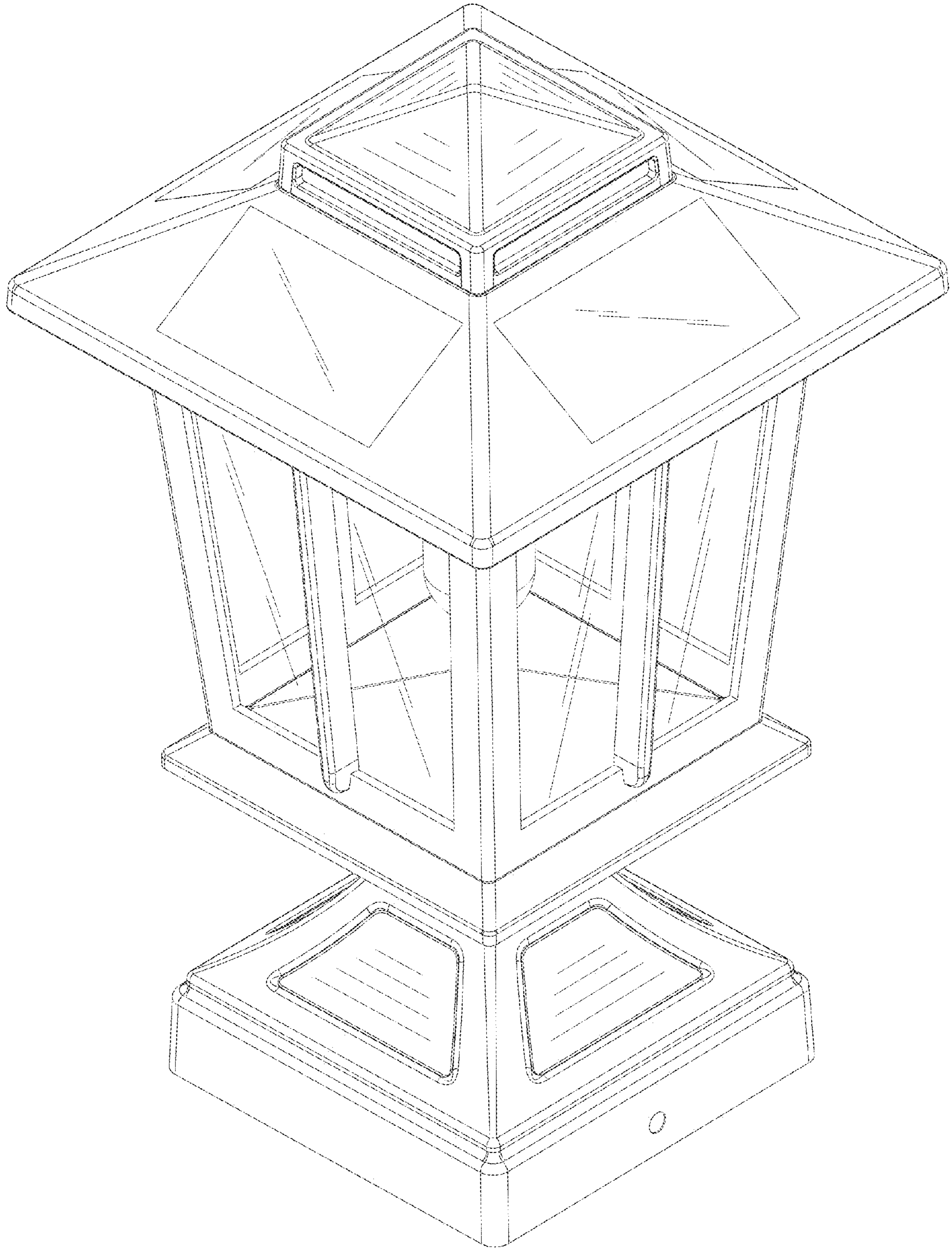


FIG. 1



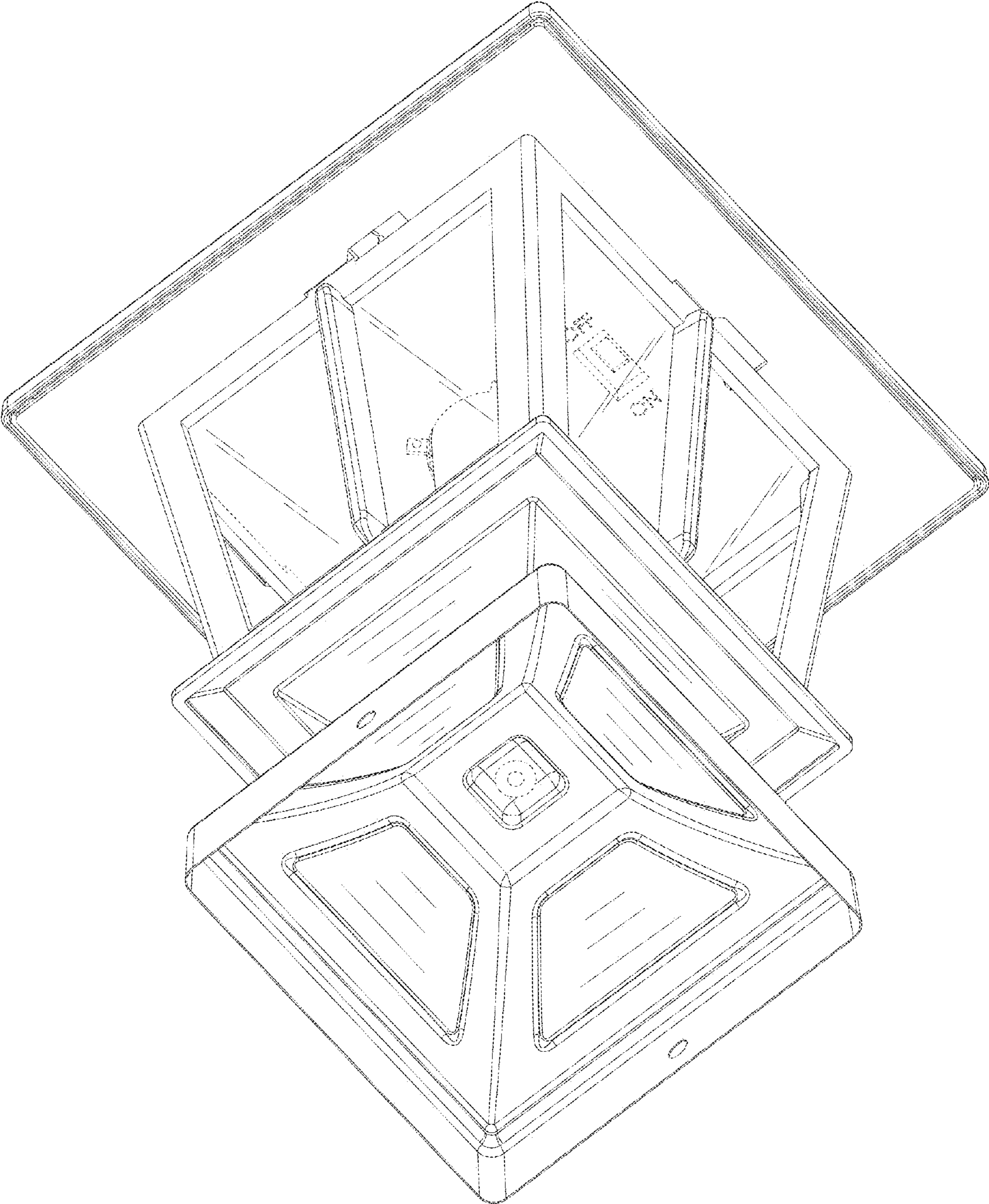


FIG. 2

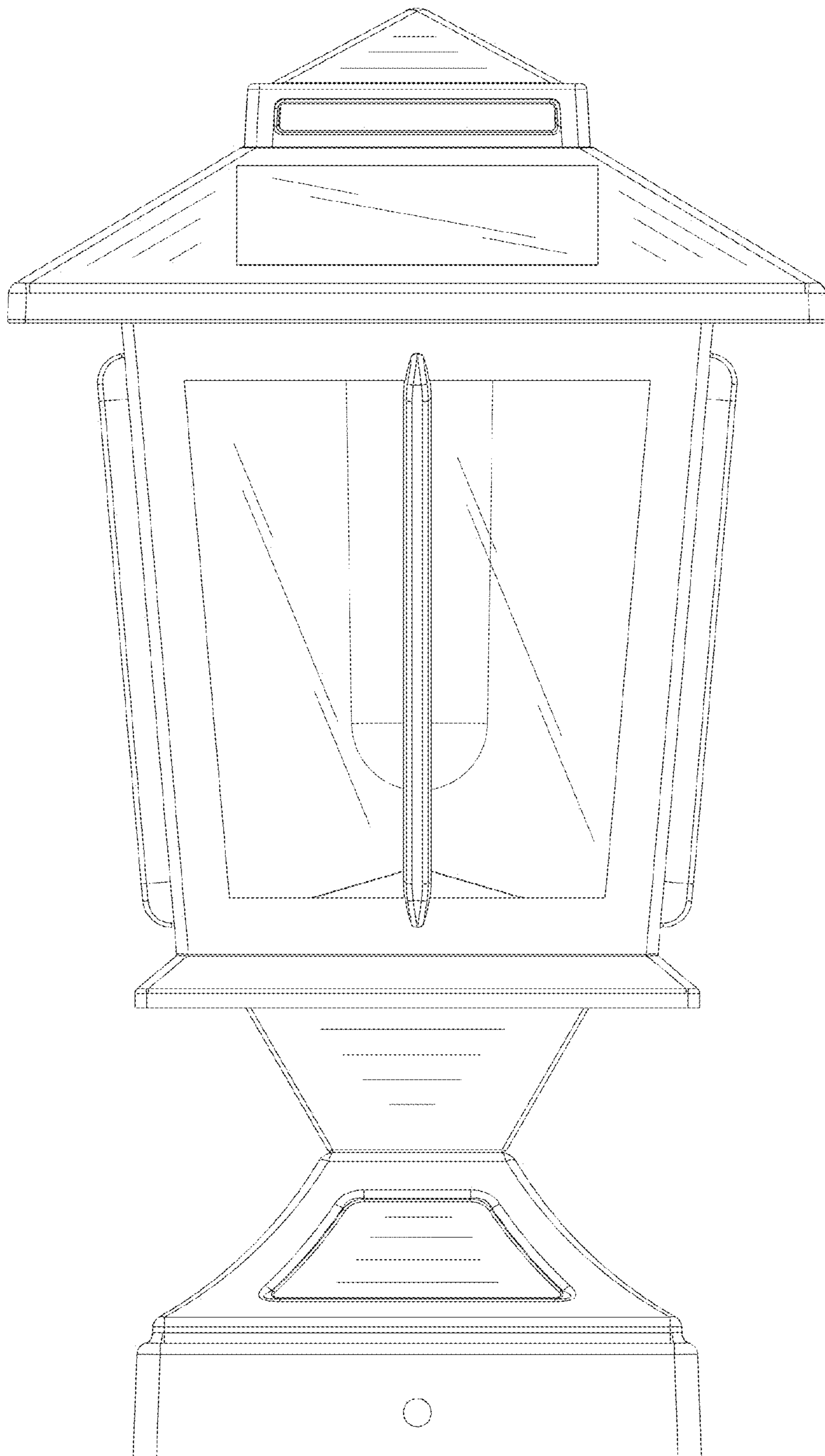


FIG. 3

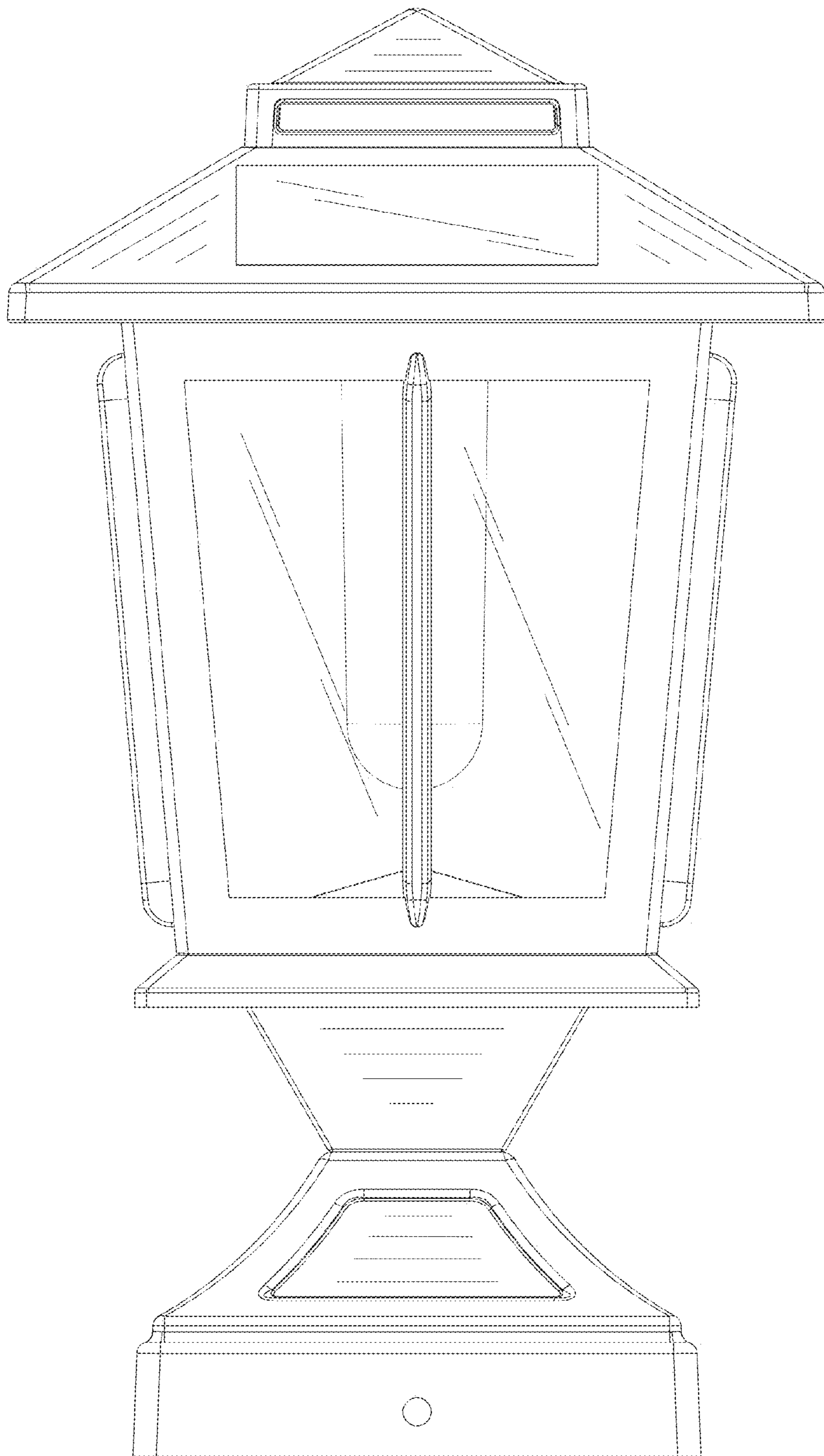


FIG. 4

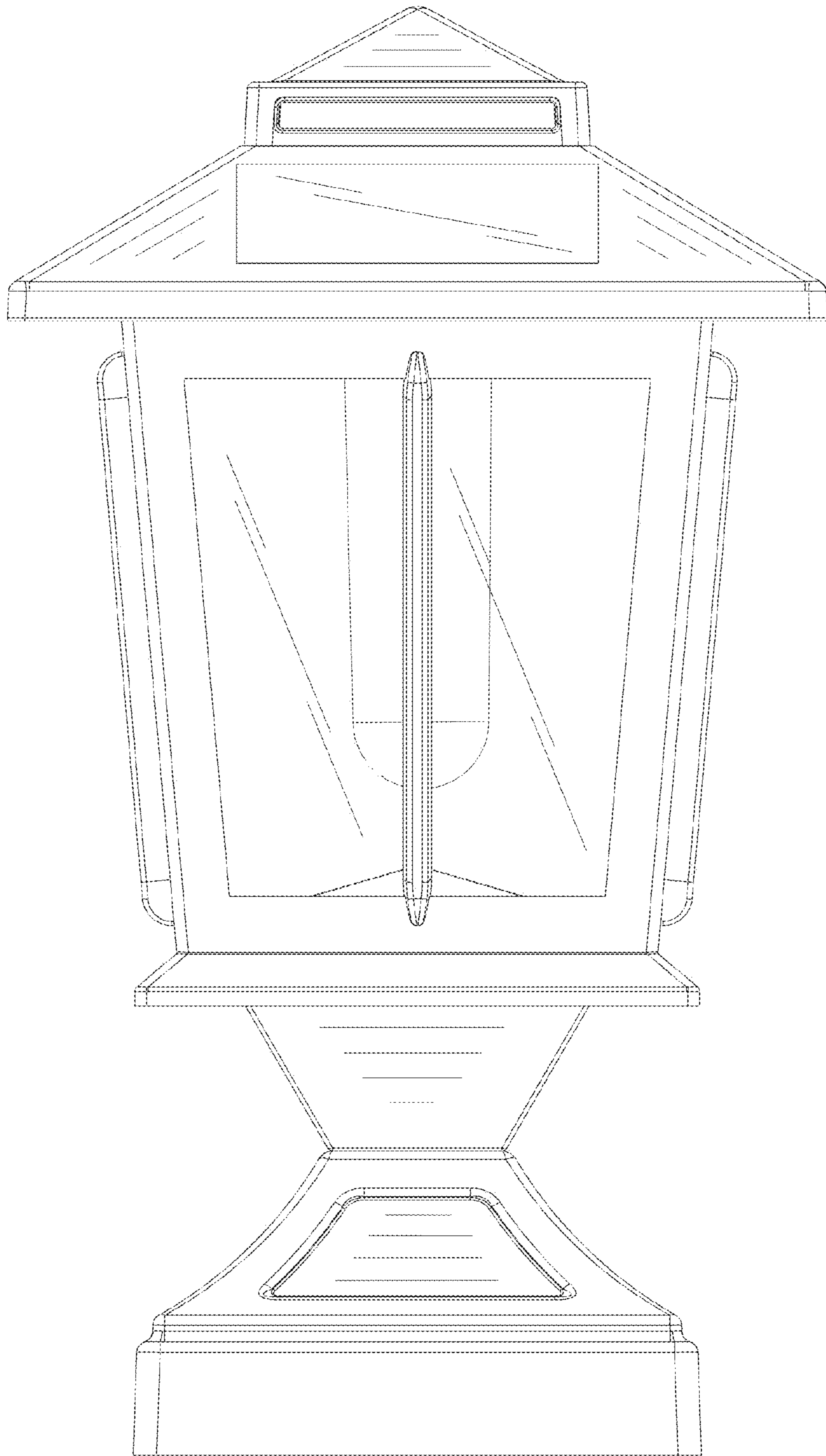


FIG. 5



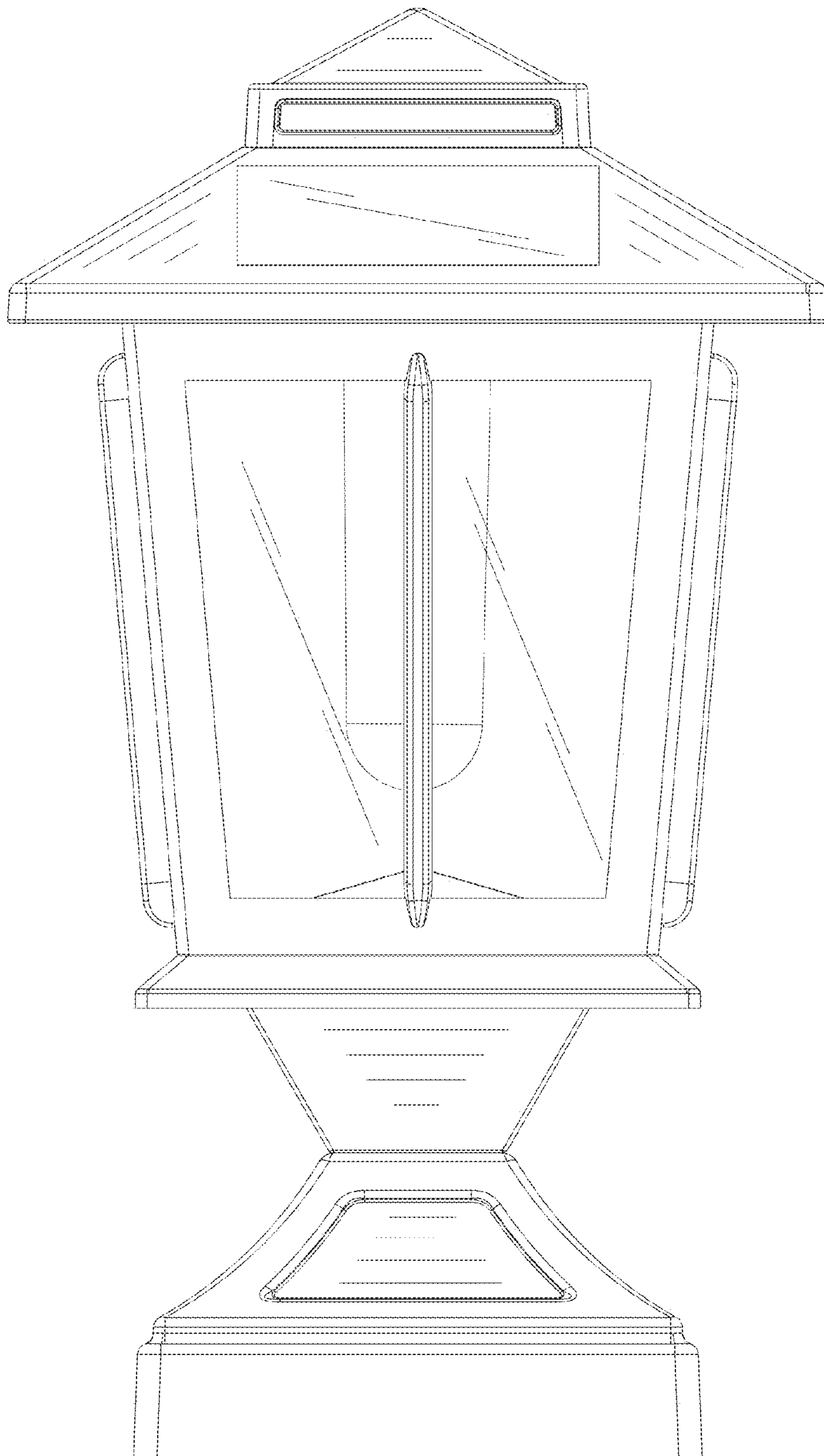


FIG. 6



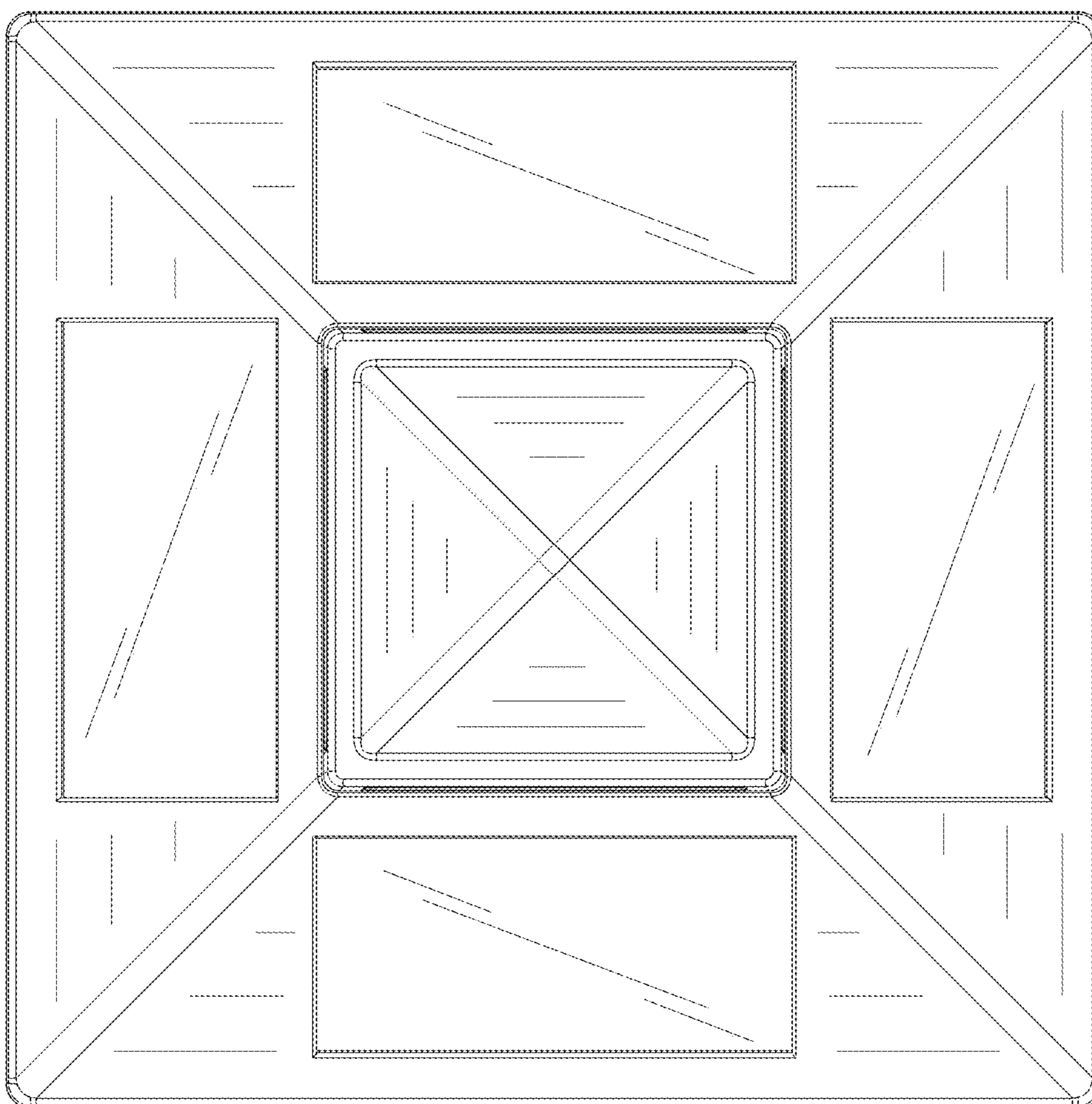


FIG. 7

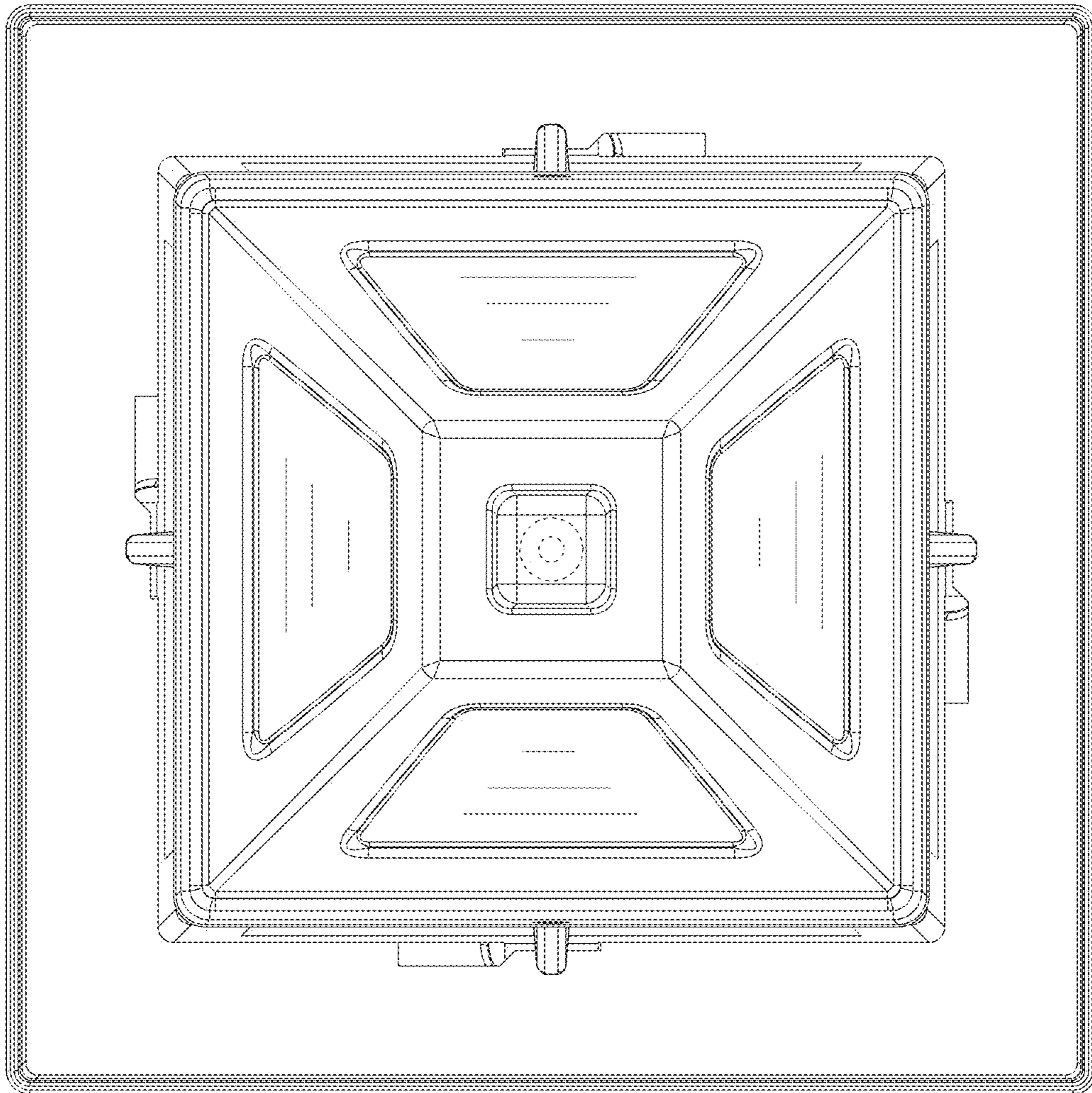


FIG. 8