



US00D969375S

(12) **United States Design Patent**
Zeng et al.

(10) **Patent No.:** **US D969,375 S**
(45) **Date of Patent:** **** Nov. 8, 2022**

(54) **SOLAR SPOT LAMP**

D895,876 S * 9/2020 Tang D26/67
10,823,377 B1 * 11/2020 Hsu F21V 19/02
D915,653 S * 4/2021 Hsu D26/63
D915,654 S * 4/2021 Hsu D26/63

(71) Applicant: **Zhejiang Twinsel Electronic Technology Co., Ltd., Zhejiang (CN)**

(Continued)

(72) Inventors: **Xueren Zeng, Zhejiang (CN); Qian Xu, Zhejiang (CN); Zhenzhong Kong, Zhejiang (CN); Jiawei Li, Zhejiang (CN); Tenghai He, Zhejiang (CN); Xiaofeng Tang, Zhejiang (CN); Jinglin Zheng, Zhejiang (CN)**

FOREIGN PATENT DOCUMENTS

CN 303456818 * 4/2015
CN 306108497 * 10/2020
GB 6033137 * 4/2018

(73) Assignee: **Zhejiang Twinsel Electronic Technology Co., Ltd., Ningbo (CN)**

OTHER PUBLICATIONS

“Hampton” reference by Silver Shelf on Amazon.com, date first available Sep. 13, 2017 [online], site visited May 5, 2022, available from internet URL: <https://www.amazon.com/Hampton-Bay-NXT-SL-12-Solar-Black/dp/B075L883KT> (Year: 2017).*

(**) Term: **15 Years**

(Continued)

(21) Appl. No.: **29/755,884**

Primary Examiner — Marissa J Cash
Assistant Examiner — Liv C Anderson

(22) Filed: **Oct. 23, 2020**

(51) **LOC (13) Cl.** **25-03**

(52) **U.S. Cl.**
USPC **D26/67; D26/65**

(57) **CLAIM**

(58) **Field of Classification Search**
USPC ... D26/1, 24, 35, 44, 61, 63, 65, 66, 72, 80, D26/60, 76, 81, 83, 84, 93
CPC F21S 8/00; F21S 8/003; F21S 8/033; F21S 9/03; F21S 9/037; F21V 23/0471; F21V 21/26; F21V 21/30; F21W 2131/10; F21W 2131/107

The ornamental design for a solar spot lamp, as shown and described.

See application file for complete search history.

DESCRIPTION

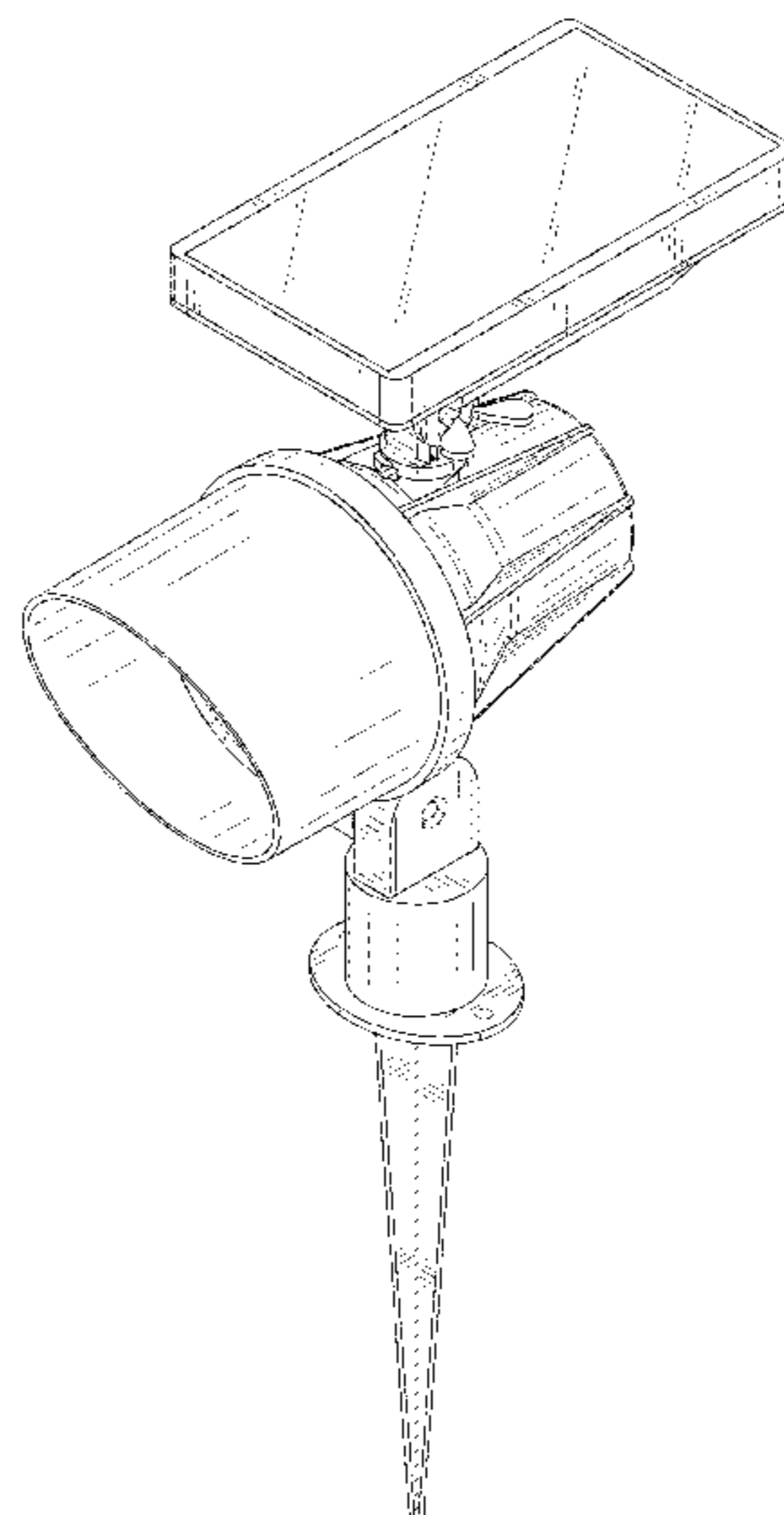
(56) **References Cited**

U.S. PATENT DOCUMENTS

D494,536 S * 8/2004 Pu D26/113
D533,298 S * 12/2006 Kuelbs D13/102
D615,688 S * 5/2010 Chen D26/68
D647,234 S * 10/2011 Izardel D26/68
D793,599 S * 8/2017 Brynjolfsson D26/63
D837,431 S * 1/2019 Peng D26/63
D853,612 S * 7/2019 Zhu D26/63
D881,433 S * 4/2020 Chen D26/63

FIG. 1 is a top, front and right side perspective view of a solar spot lamp showing our new design;
FIG. 2 is a bottom, rear and left side perspective view thereof;
FIG. 3 is a front elevational view thereof;
FIG. 4 is a rear elevational view thereof;
FIG. 5 is a left side view thereof;
FIG. 6 is a right side view thereof;
FIG. 7 is a top plan view thereof; and,
FIG. 8 is a bottom plan view thereof.
The broken lines in the drawings illustrate portions of the solar spot lamp which form no part of the claimed design.

1 Claim, 8 Drawing Sheets



(56)

References Cited

U.S. PATENT DOCUMENTS

D942,964 S * 2/2022 Hsu D14/207
2005/0103378 A1 * 5/2005 Pu F21V 21/0824
136/291
2017/0167695 A1 * 6/2017 Erdener F21V 14/06
2017/0198887 A1 * 7/2017 Veloskey F21V 23/001

OTHER PUBLICATIONS

“InnoGear” reference by InnoGear on Amazon.com, date first available Apr. 15, 2020 [online], site visited May 5, 2022, available from internet URL: <https://www.amazon.com/InnoGear-Waterproof-Spotlights-Adjustable-Landscape/dp/B0874BCGNW> (Year: 2020).*

“LEONLITE” reference by Torchstar on Amazon.com, date first available Jun. 3, 2018 [online], site visited May 5, 2022, available from internet URL: <https://www.amazon.com/LEONLITE-Landscape-Adjustable-Waterproof-White%EF%BC%8CAluminum/dp/B07JQHHLRF> (Year: 2018).*

“Best” reference by Amazon.com, date first available Aug. 4, 2017 [online], site visited May 5, 2022, available from internet URL: <https://www.amazon.com/Best-Solar-Light-SOLARLIGHTM-2-Weatherproof/dp/B074K825X1> (Year: 2017).*

* cited by examiner

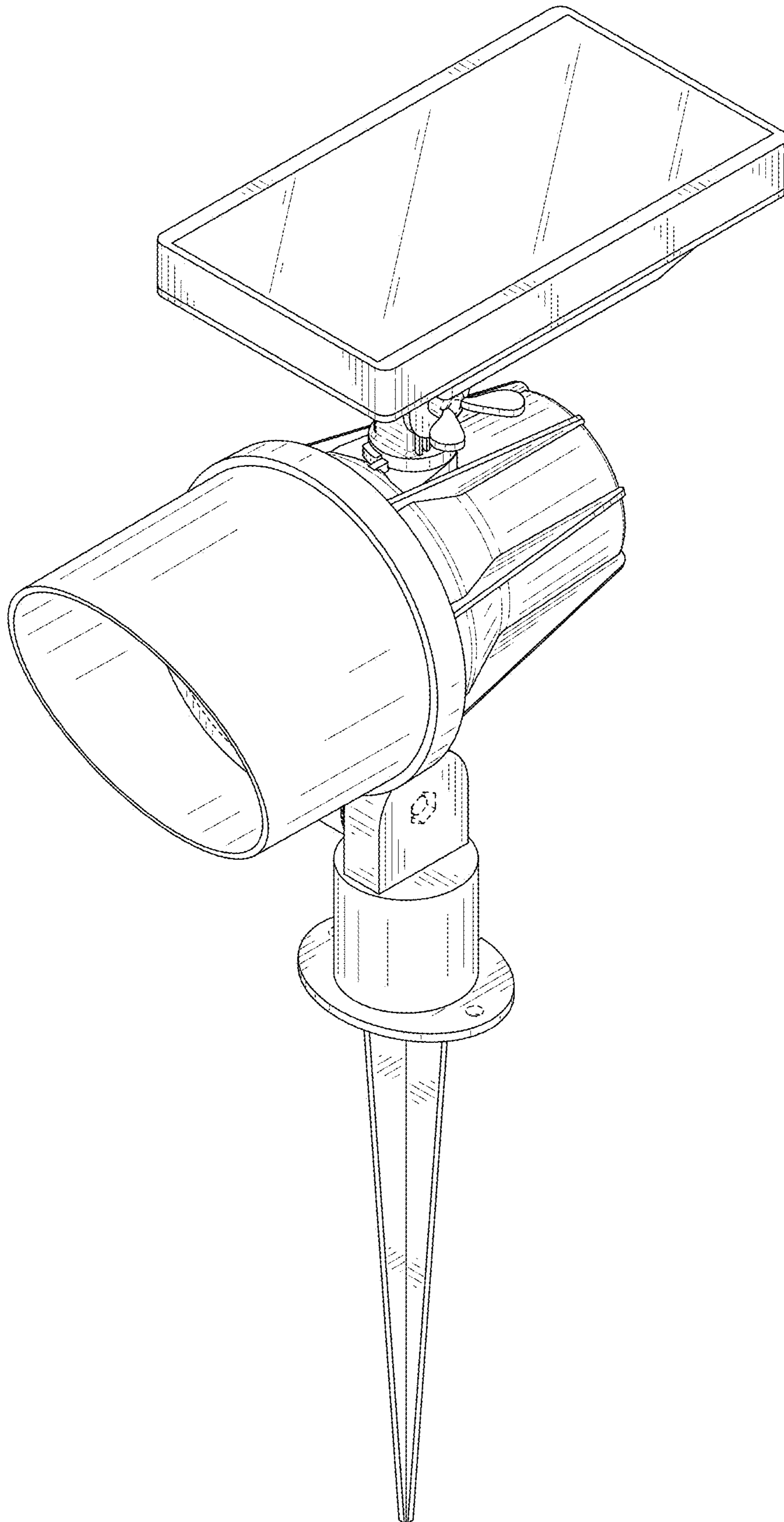


FIG. 1

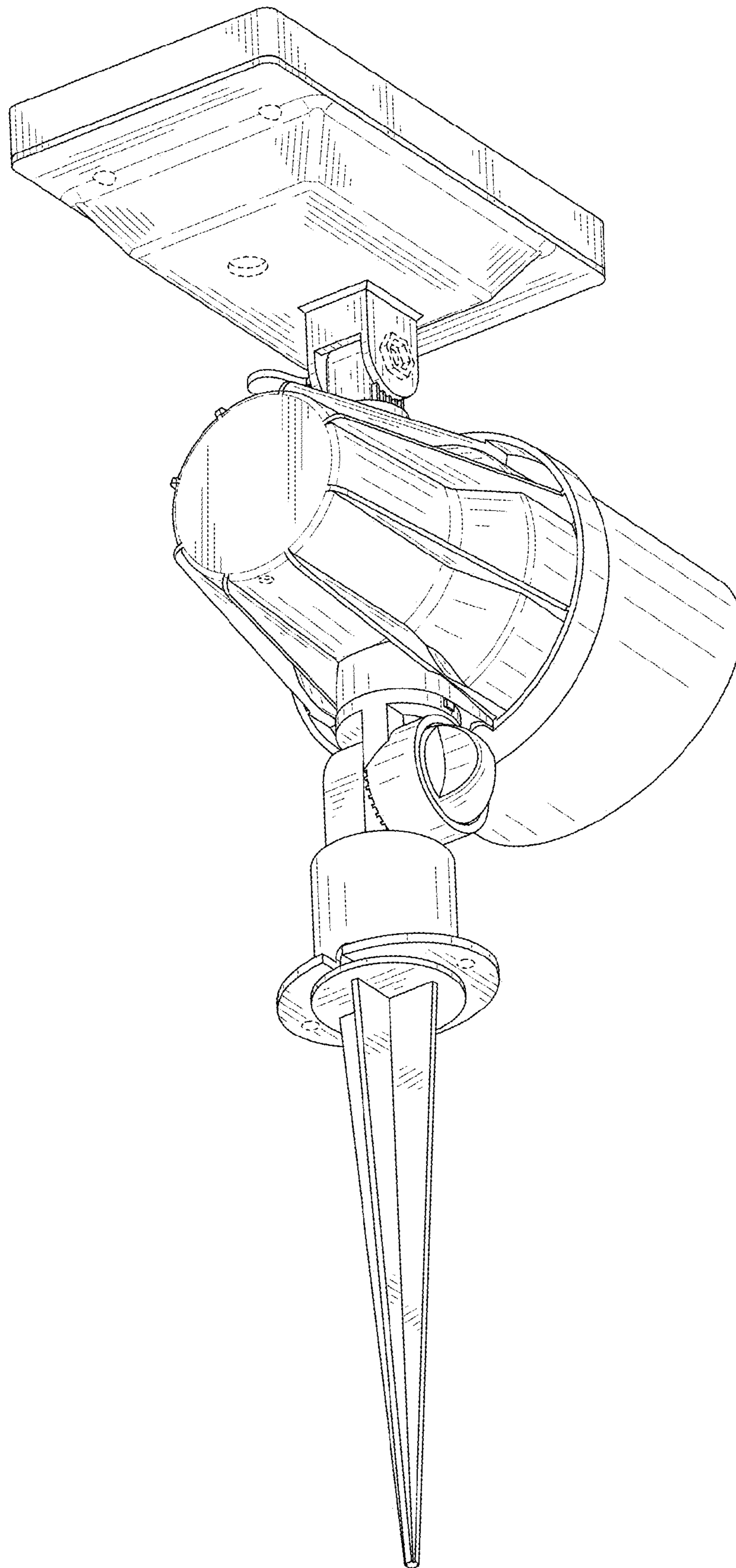


FIG. 2

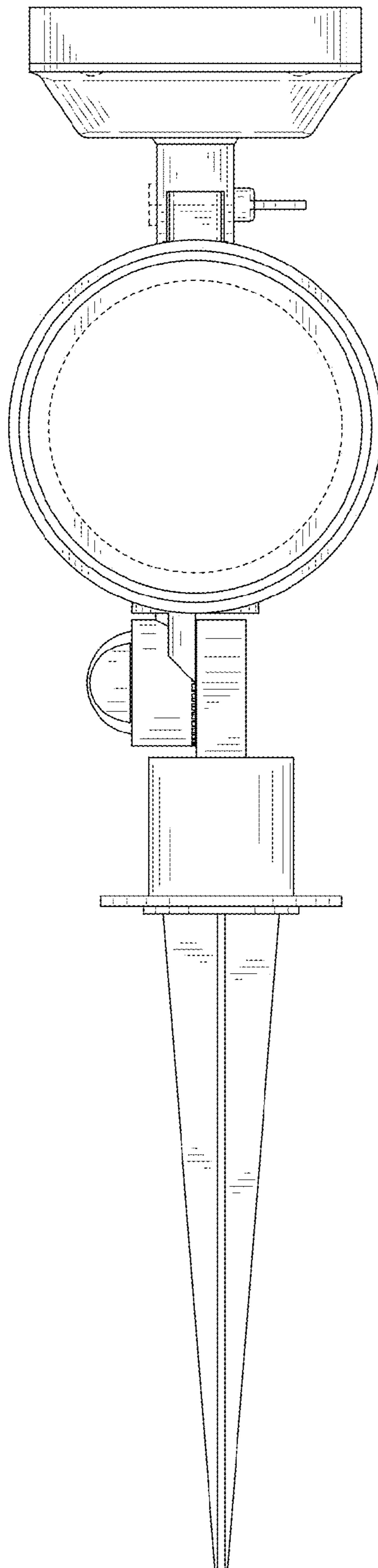


FIG. 3

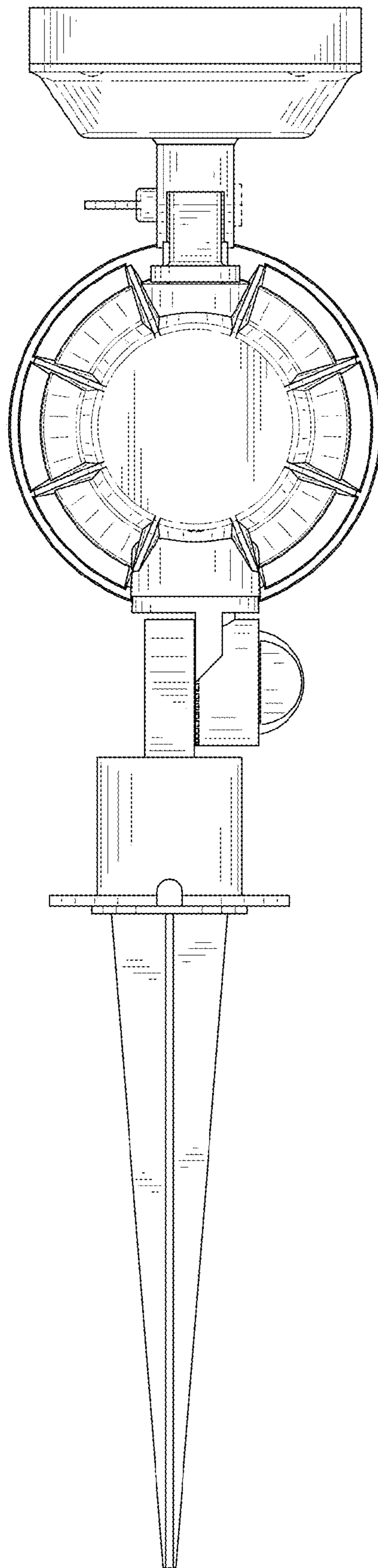


FIG. 4

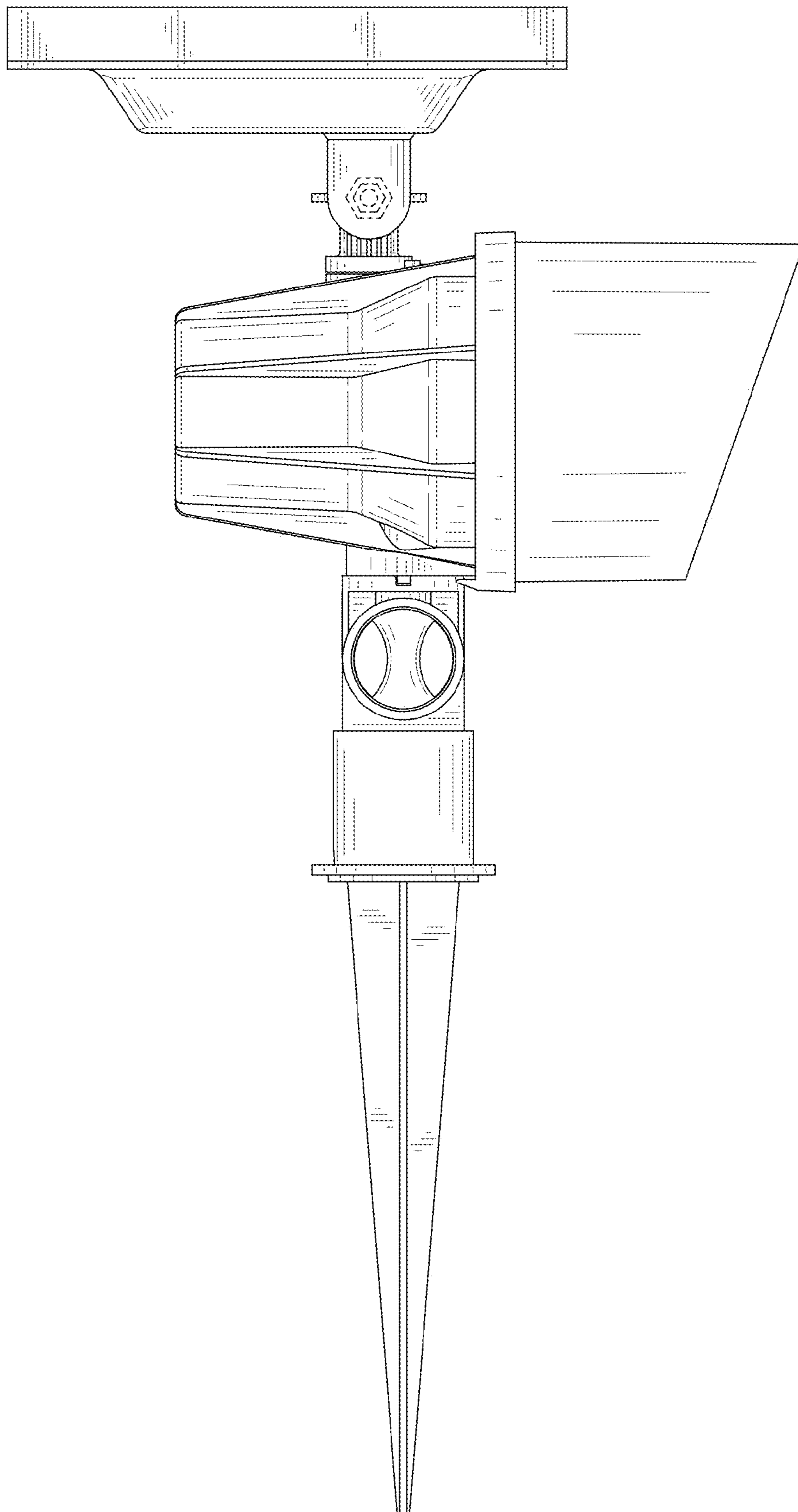


FIG. 5

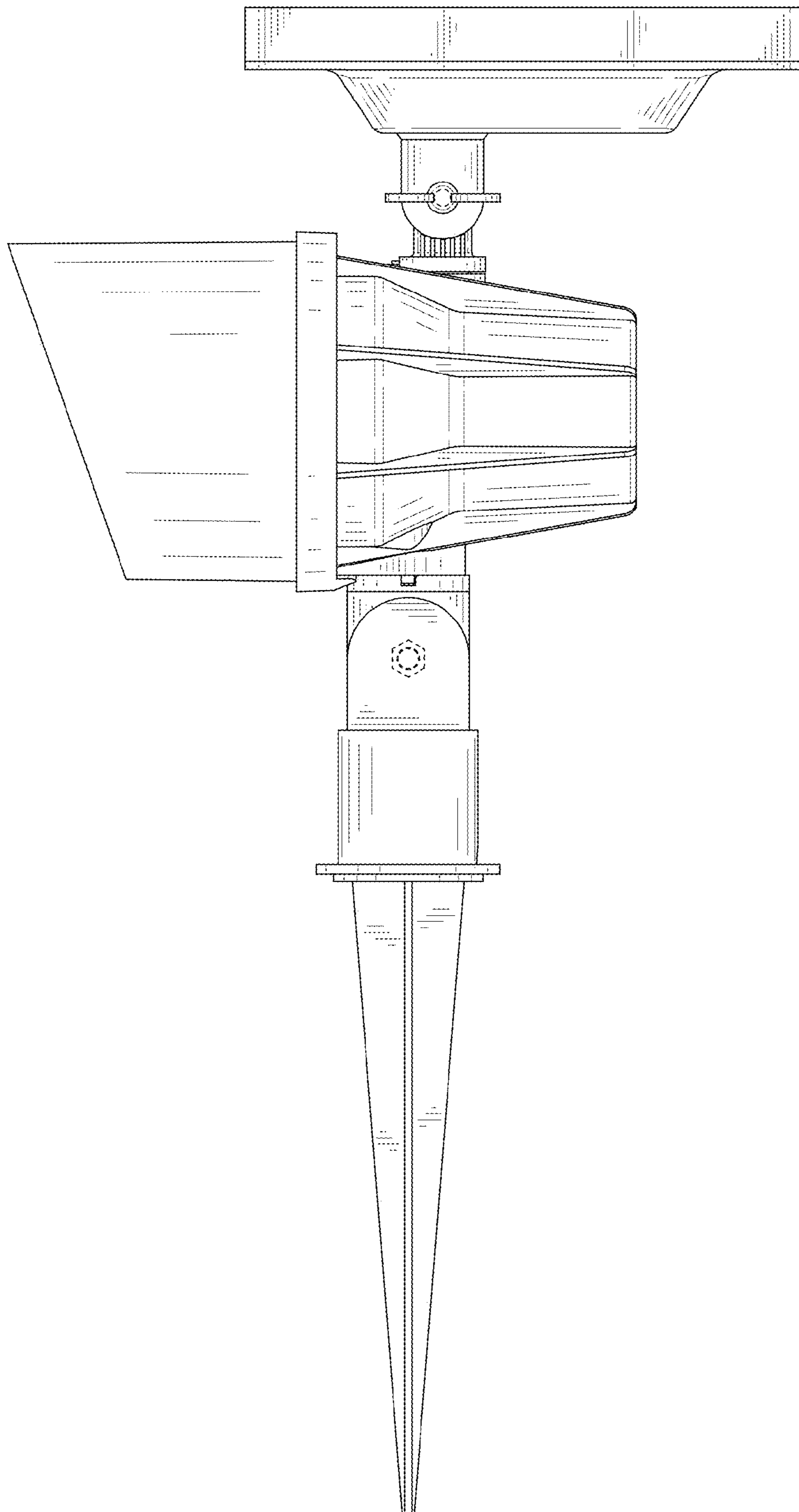


FIG. 6

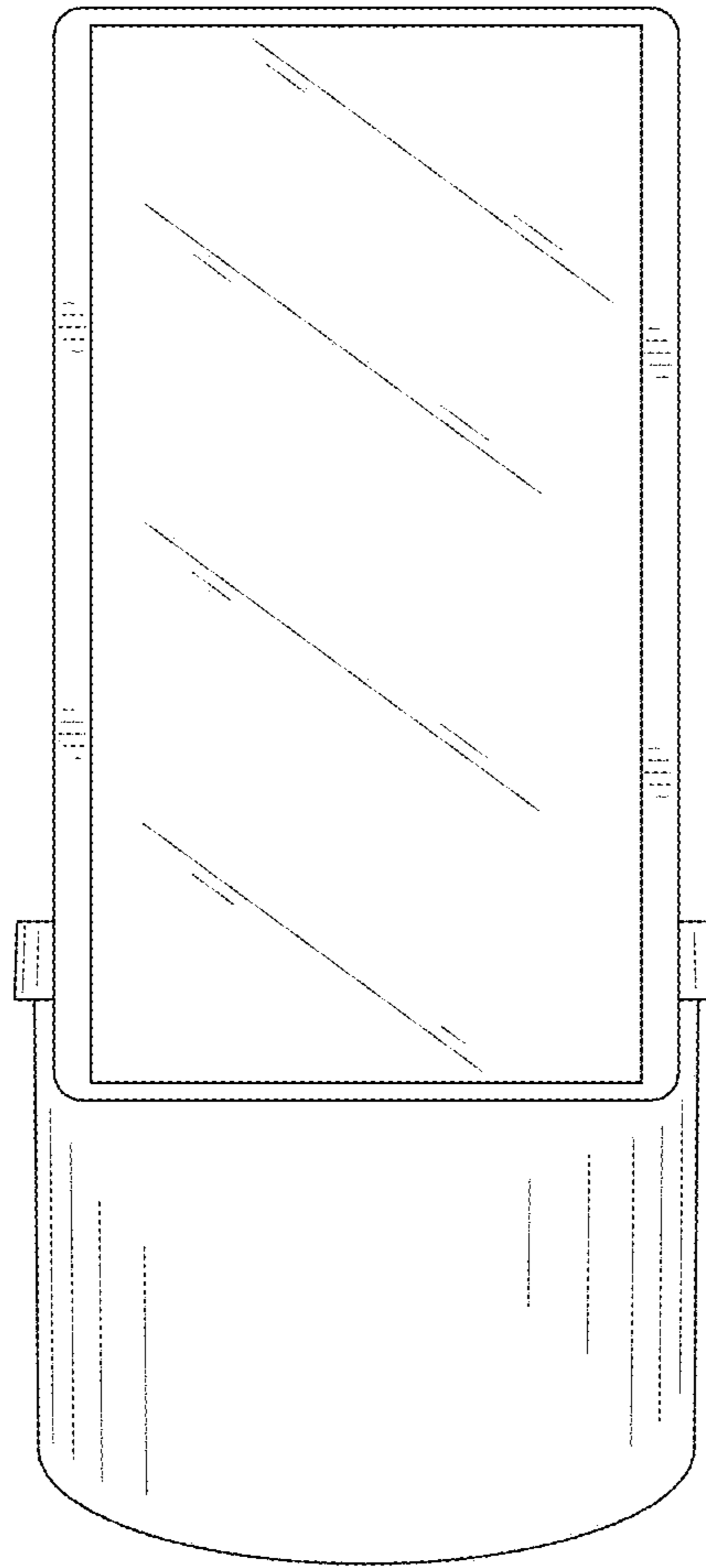


FIG. 7

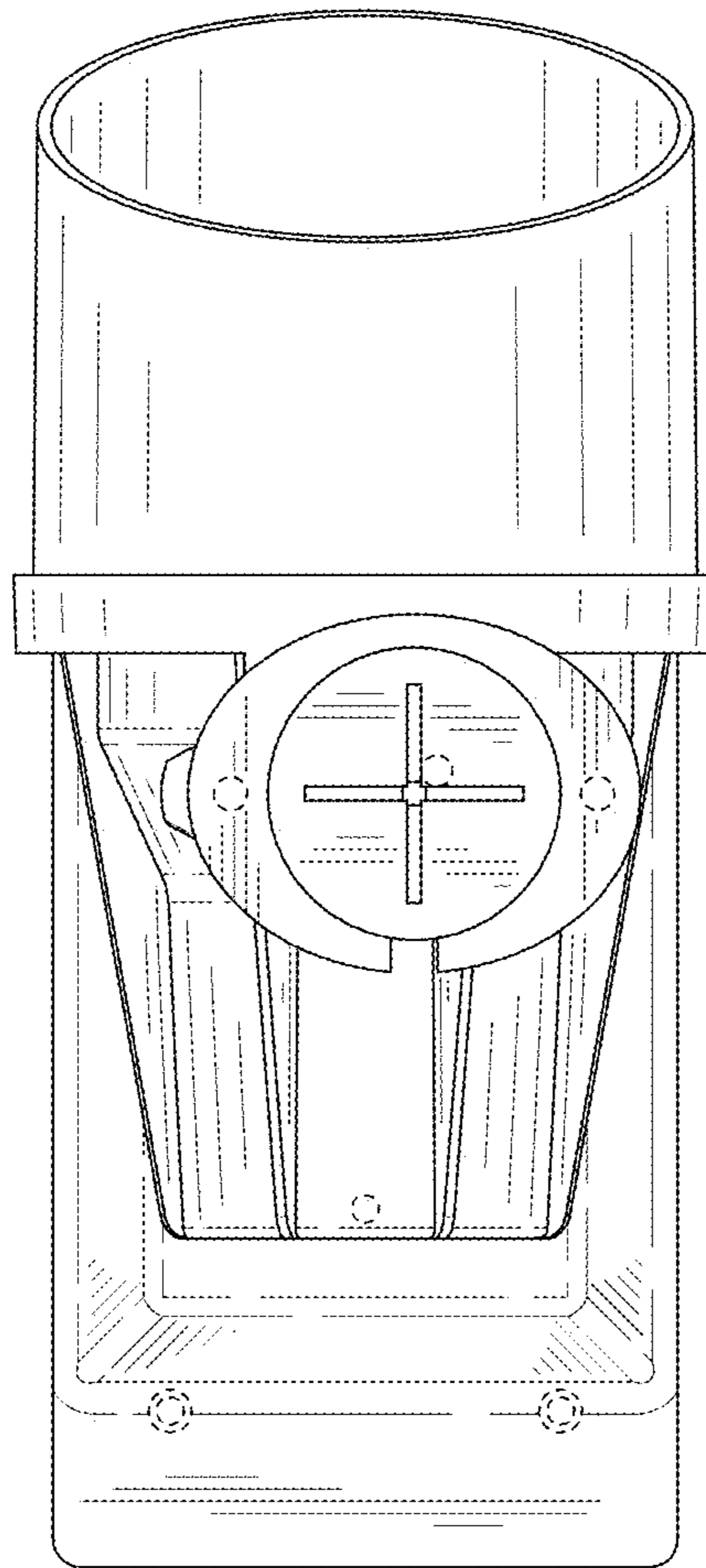


FIG. 8