



US00D969374S

(12) **United States Design Patent** (10) **Patent No.:** **US D969,374 S**  
**Huang** (45) **Date of Patent:** **\*\* Nov. 8, 2022**

(54) **STAGE LIGHT**

D948,768 S \* 4/2022 Ouyang ..... D26/110  
D954,785 S \* 6/2022 Liu ..... D16/237  
D961,138 S \* 8/2022 Peng ..... D16/237

(71) Applicant: **Wenzhi Huang**, Puning (CN)

(72) Inventor: **Wenzhi Huang**, Puning (CN)

(\*\*) Term: **15 Years**

FOREIGN PATENT DOCUMENTS

CN 210979501 U \* 7/2020

(21) Appl. No.: **29/846,323**

OTHER PUBLICATIONS

(22) Filed: **Jul. 15, 2022**

BETOPPER Mini DJ Par Light, dated Oct. 28, 2019, [online], [site visited Sep. 8, 2022]. Available from Internet, URL: <https://www.amazon.com/dp/B07ZNS51BV/> (Year: 2019).  
BETOPPER 54 LED PAR Light Super Bright DMX-512 DJ Stage Light, dated Oct. 23, 2020, [online], [site visited Sep. 8, 2022]. Available from Internet, URL: <https://www.amazon.com/BETOPPER-DMX-512-Lighting-Photostudio-Decoration/dp/B08LQ33QGL/> (Year: 2020).\*

(51) **LOC (13) Cl.** ..... **26-03**

(52) **U.S. Cl.**  
USPC ..... **D26/63**

(58) **Field of Classification Search**  
USPC ..... D26/63, 61, 62, 64, 65, 56, 106, 3, 13,  
D26/110, 102, 67, 60  
CPC ..... F21V 17/12; F21V 23/06; F21V 21/02  
See application file for complete search history.

(Continued)

*Primary Examiner* — Shawn T Gingrich  
*Assistant Examiner* — Kathryn Elizabeth Chambers  
(74) *Attorney, Agent, or Firm* — Rumit Ranjit Kanakia

(56) **References Cited**

U.S. PATENT DOCUMENTS

D575,891 S 8/2008 Calleja  
D634,871 S \* 3/2011 Wooh ..... D26/63  
D689,232 S \* 9/2013 Velazquez ..... F21V 23/06  
D26/63  
D789,581 S \* 6/2017 Peard ..... D26/61  
D875,994 S 2/2020 Yu  
D877,389 S \* 3/2020 Xie ..... D26/124  
D882,164 S \* 4/2020 Chen ..... D26/142  
D882,835 S \* 4/2020 Harriton ..... D26/28  
D882,836 S \* 4/2020 Dennis ..... D26/28  
D894,460 S \* 8/2020 Yu ..... D26/63  
D906,563 S \* 12/2020 Muck ..... D26/63  
D909,651 S \* 2/2021 Tan ..... D26/63  
D910,218 S \* 2/2021 Somasekar ..... D26/63  
D911,567 S \* 2/2021 Lv ..... D26/63  
D911,568 S \* 2/2021 Lv ..... D26/63  
D915,641 S \* 4/2021 Zhan ..... D26/24  
D915,651 S \* 4/2021 Tan ..... D26/63  
D948,767 S \* 4/2022 Yu ..... D26/63

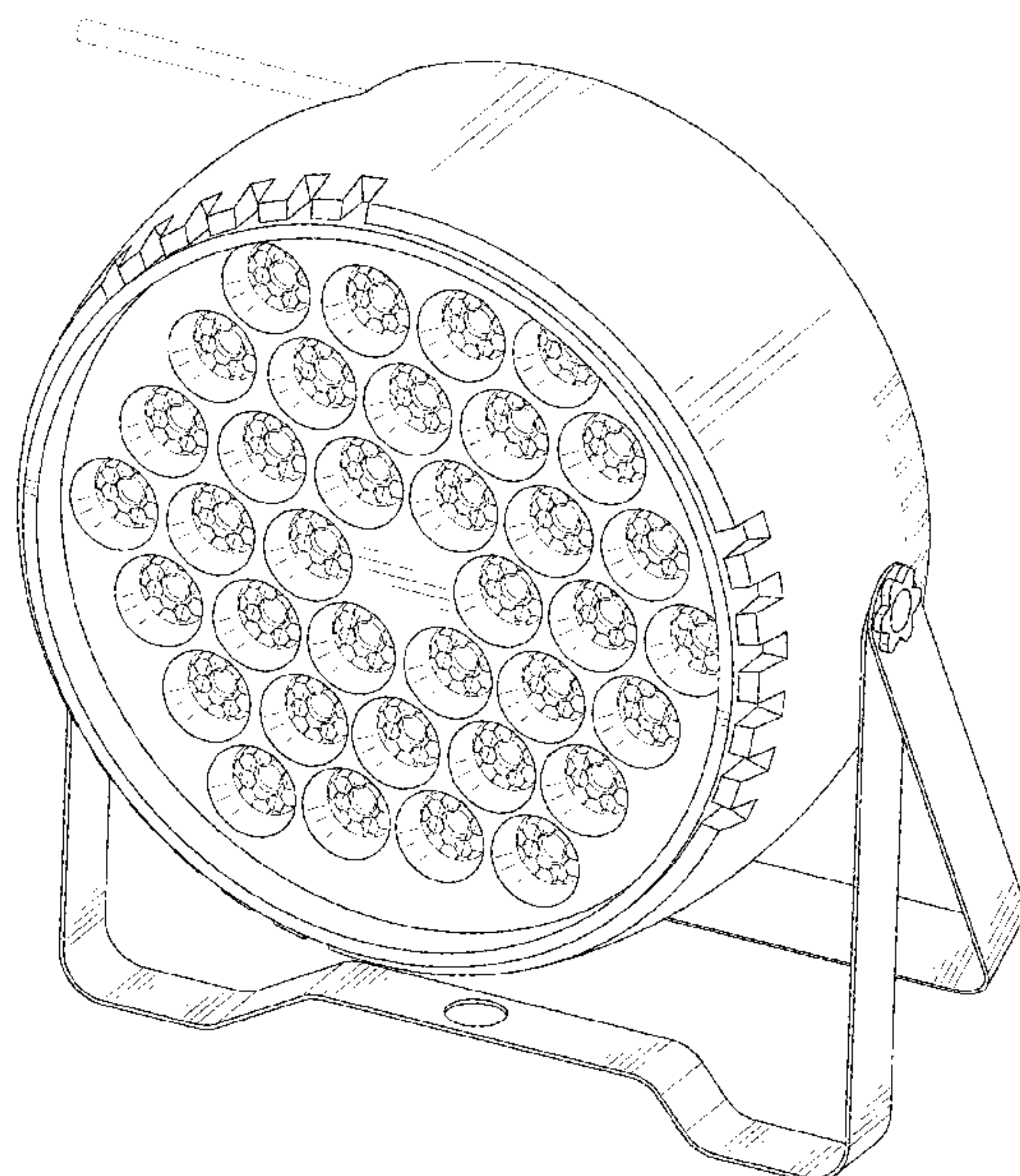
(57) **CLAIM**

The ornamental design for a stage light, as shown and described.

**DESCRIPTION**

FIG. 1 is a first perspective view of a stage light showing my new design;  
FIG. 2 is a second perspective view thereof;  
FIG. 3 is a front view thereof;  
FIG. 4 is a back view thereof;  
FIG. 5 is a left side view thereof;  
FIG. 6 is a right side view thereof;  
FIG. 7 is a top view thereof; and,  
FIG. 8 is a bottom view thereof.  
The broken lines shown in the drawings depict portions of the stage light that form no part of the claimed design.

**1 Claim, 8 Drawing Sheets**



(56)

**References Cited**

OTHER PUBLICATIONS

60 LED Stage Lights, Baisun RGB DJ Lights, dated Jul. 20, 2021, [online], [site visited Sep. 8, 2022]. Available from Internet, URL: [https://www.amazon.com/Uplights-Control-Activated-Halloween-Wedding/dp/B099W7LNDK/ref=asc\\_df\\_B099W7LNDK/](https://www.amazon.com/Uplights-Control-Activated-Halloween-Wedding/dp/B099W7LNDK/ref=asc_df_B099W7LNDK/) (Year: 2021).\*

\* cited by examiner

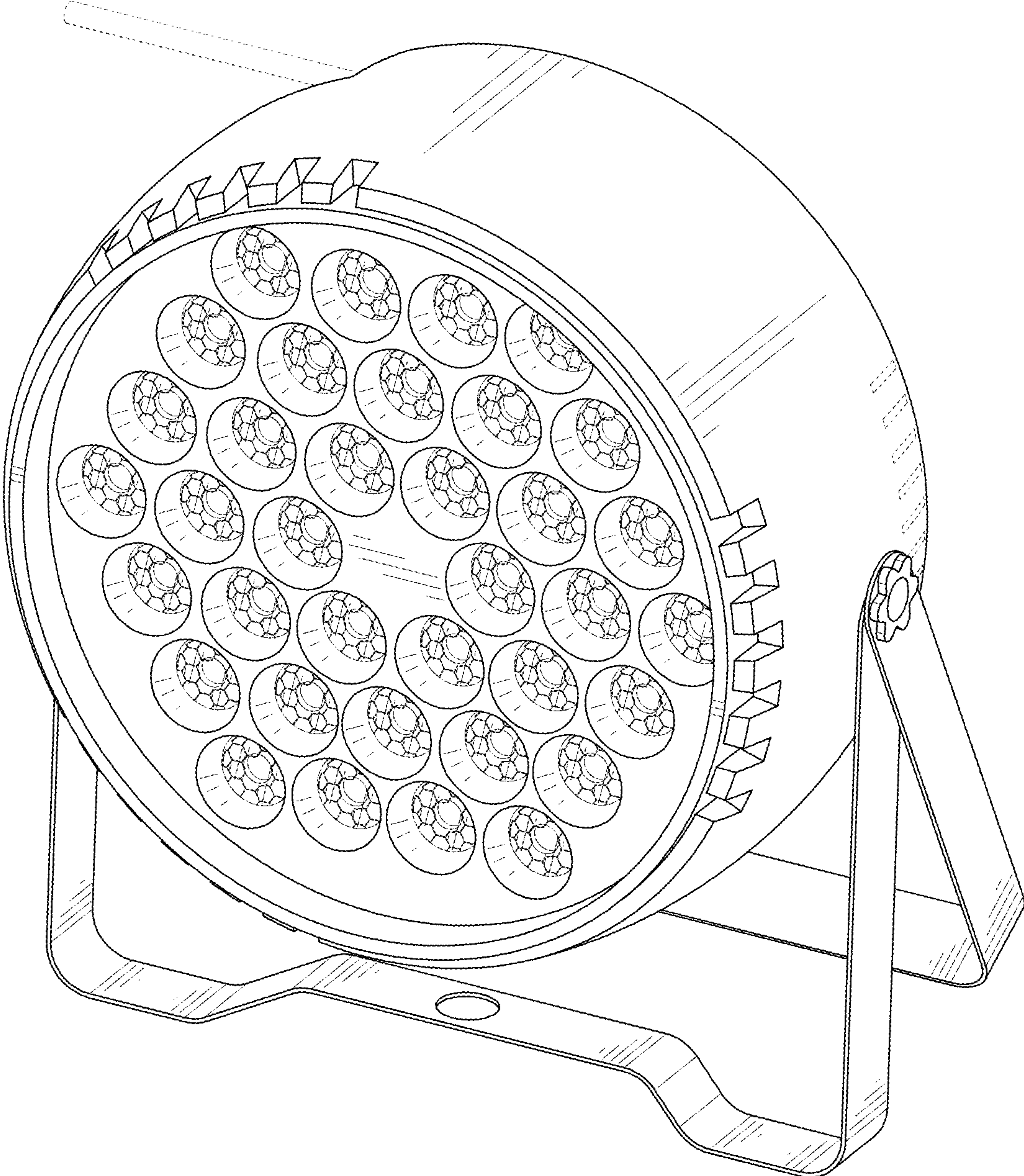


FIG. 1



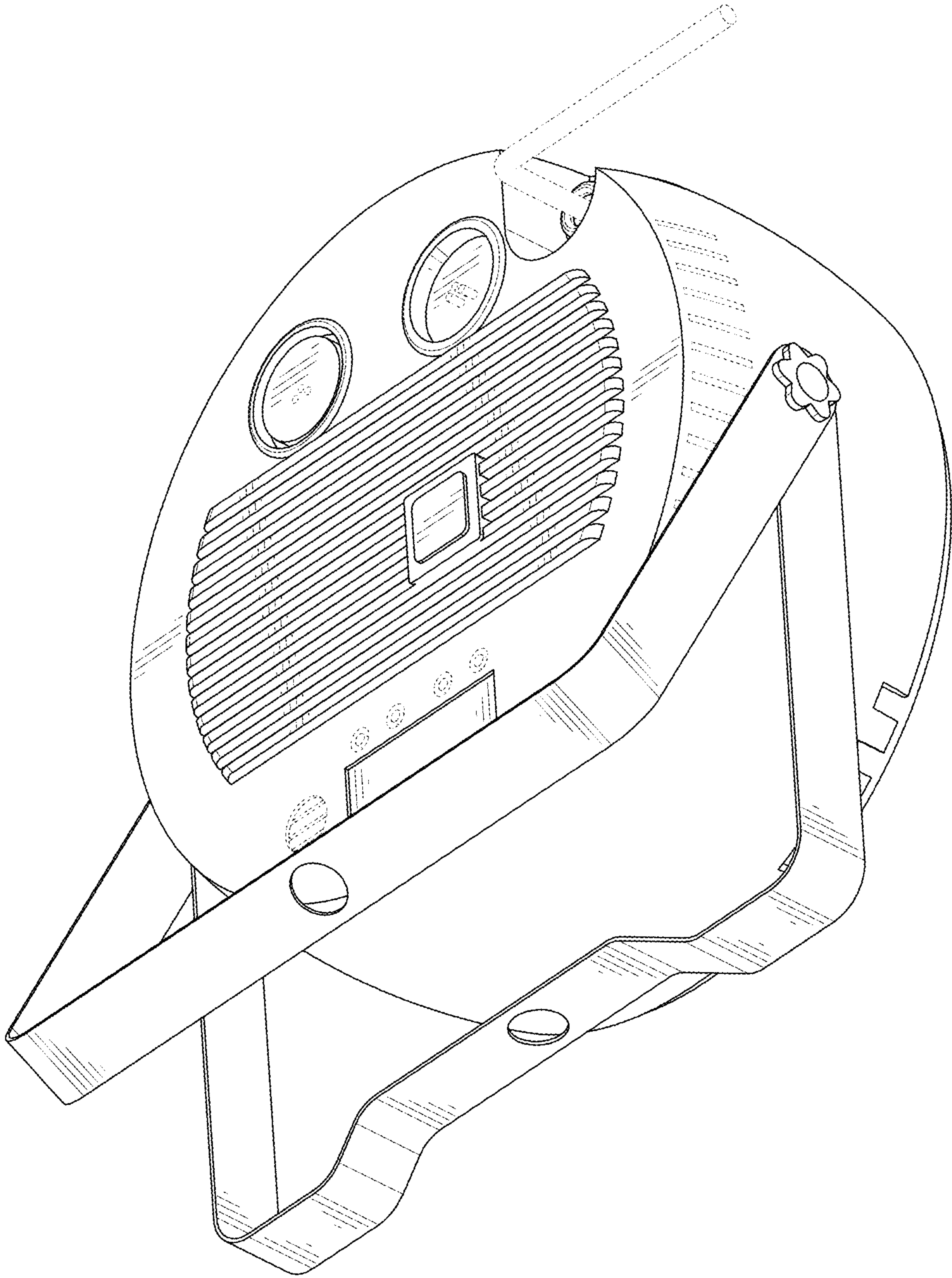


FIG. 2

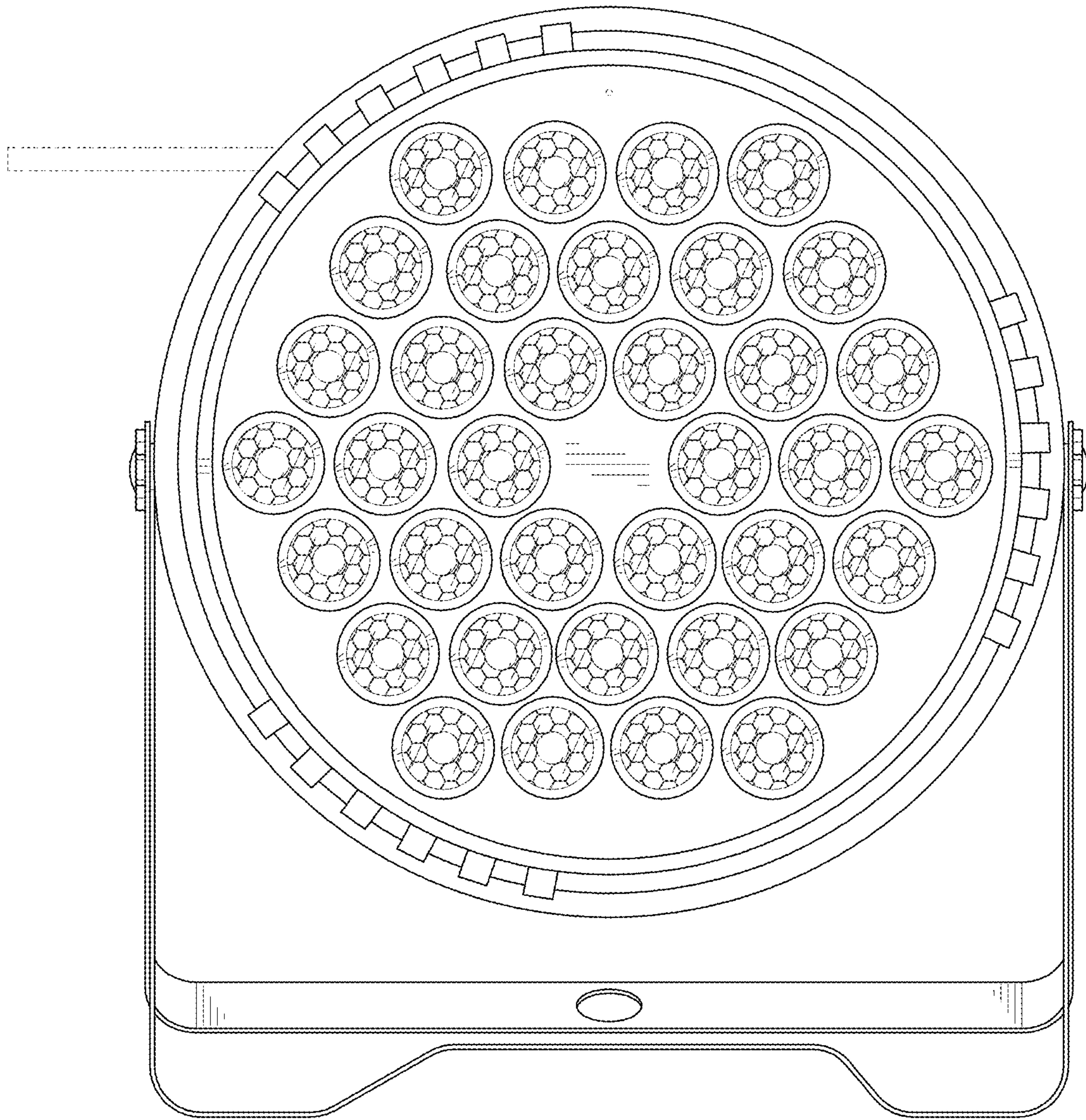


FIG. 3

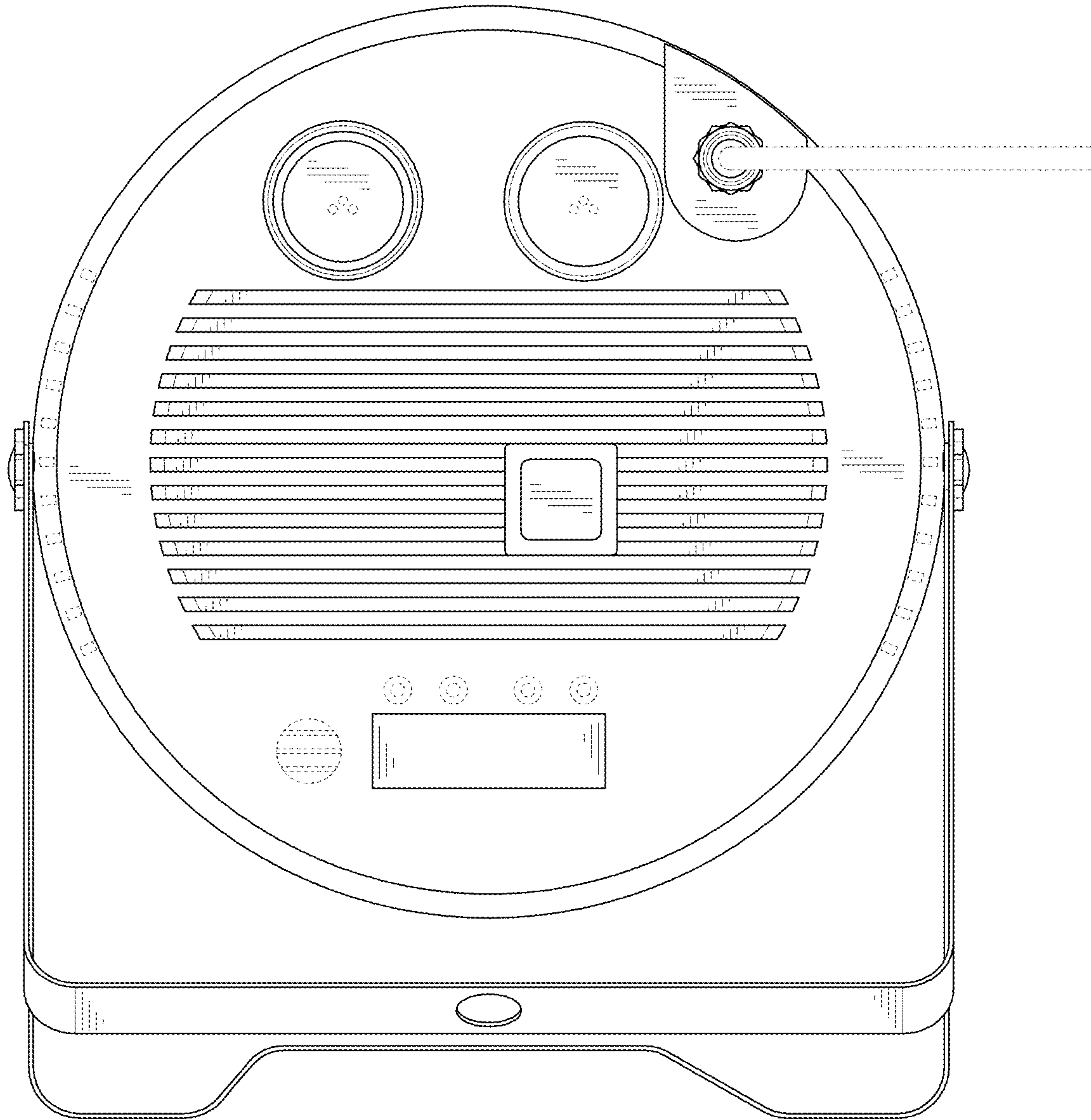


FIG. 4



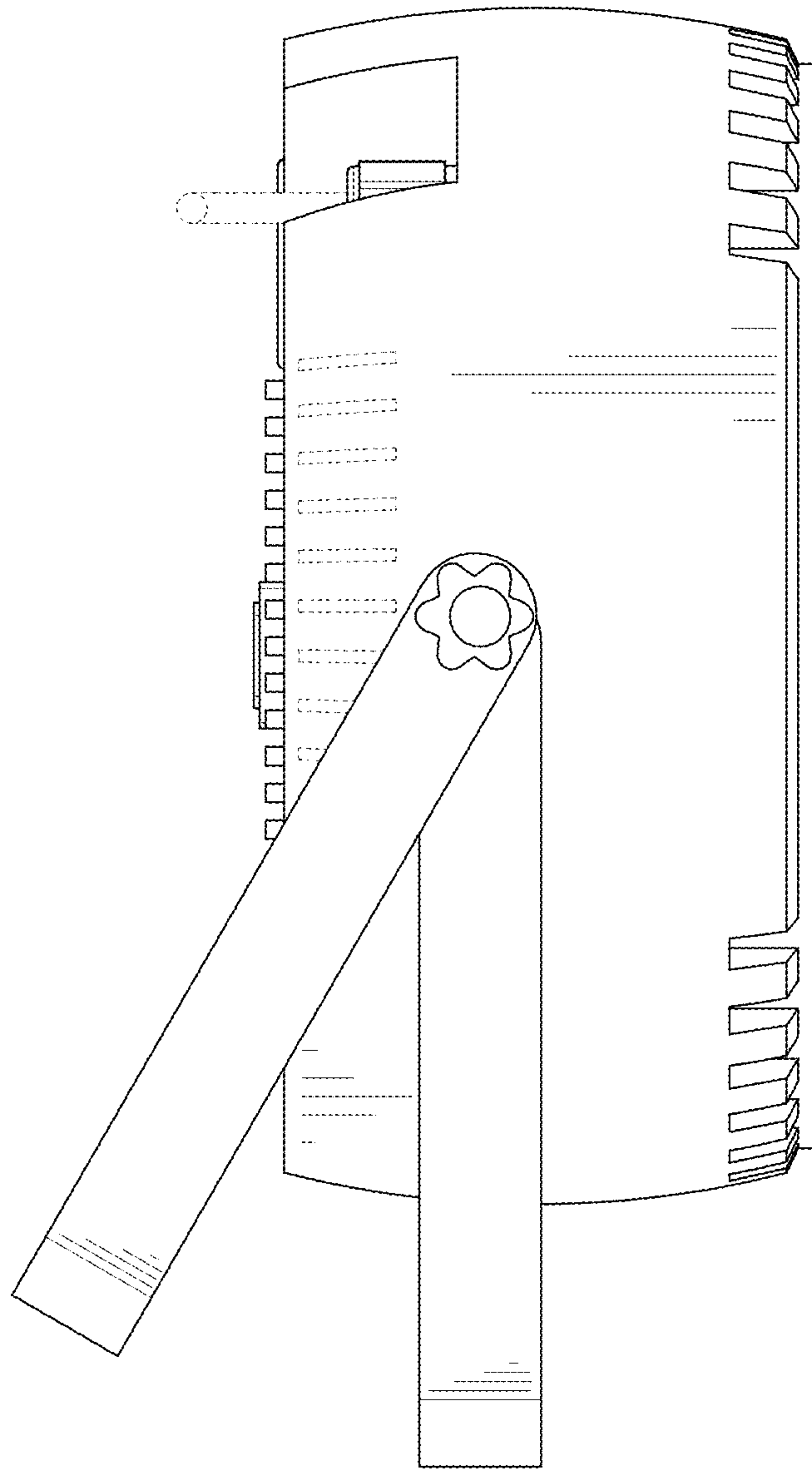


FIG. 5

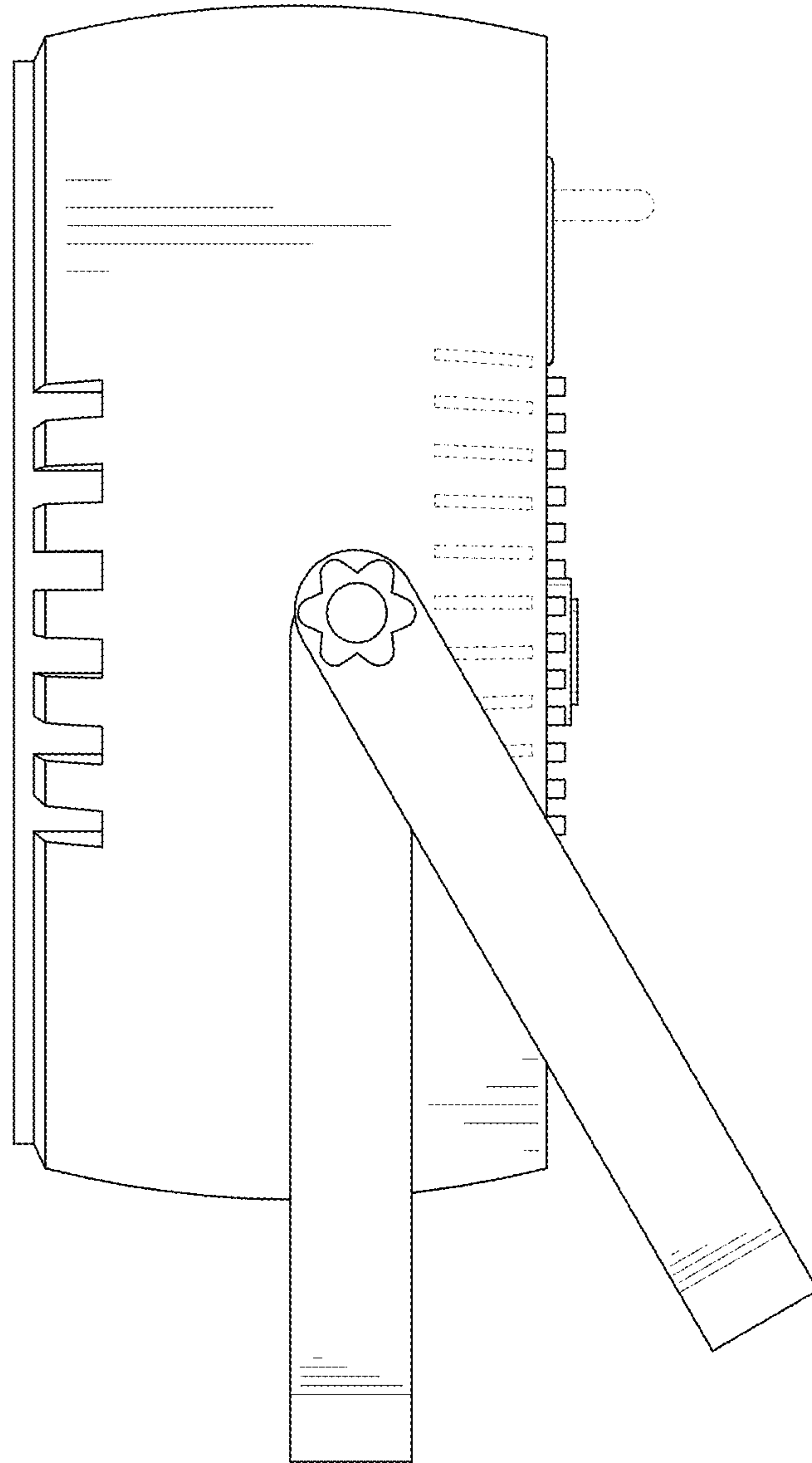


FIG. 6



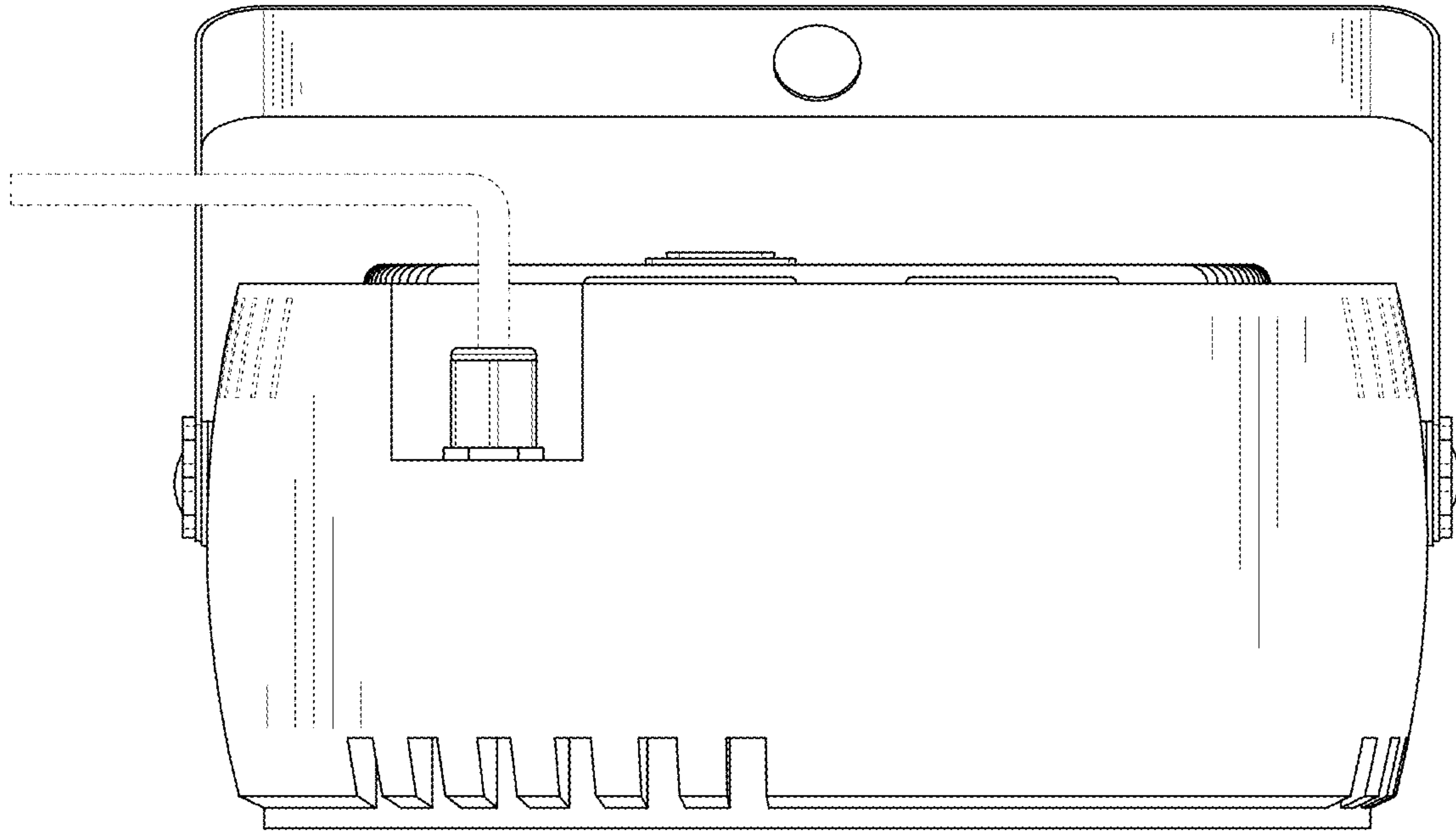


FIG. 7

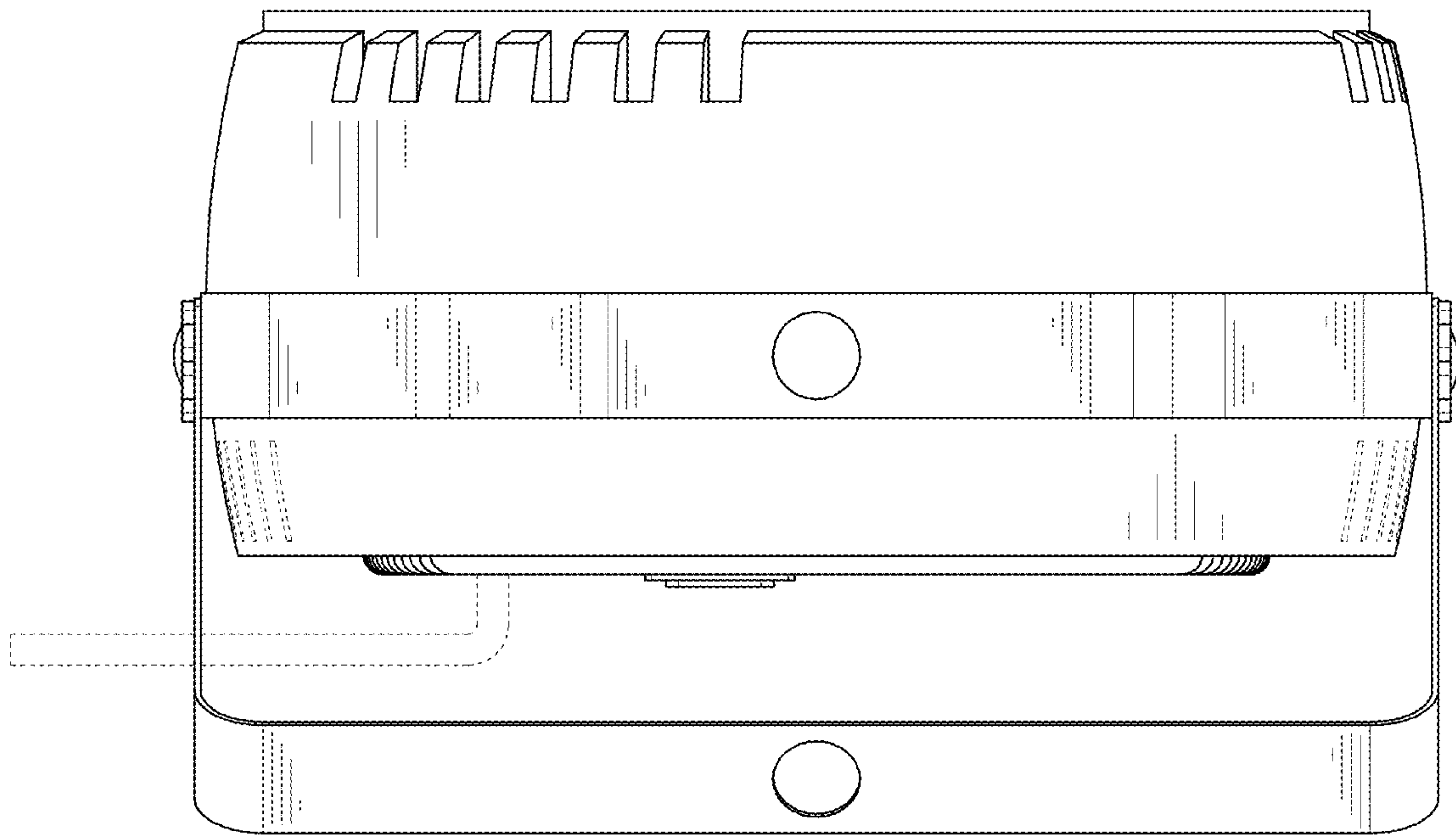


FIG. 8