



US00D969372S

(12) **United States Design Patent** (10) **Patent No.:** **US D969,372 S**
Carr et al. (45) **Date of Patent:** **** Nov. 8, 2022**

(54) **TORCH**

(71) Applicant: **Inspectron, Inc.**, Wixom, MI (US)

(72) Inventors: **Jason T. Carr**, Warren, MI (US); **Tye Newman**, Howell, MI (US); **Joseph M. Eckert, II**, Huntington Woods, MI (US); **Rodolfo Oropeza**, Commerce Charter Township, MI (US)

(73) Assignee: **INSPECTRON, INC.**, Wixom, MI (US)

(**) Term: **15 Years**

(21) Appl. No.: **29/726,779**

(22) Filed: **Mar. 5, 2020**

(51) **LOC (13) Cl.** **26-02**

(52) **U.S. Cl.**
USPC **D26/49**

(58) **Field of Classification Search**

USPC D26/24, 37-52, 113, 118-119
CPC F21Y 2115/10; F21Y 2113/13; F21Y 2101/00; F21Y 2103/10; F21Y 2107/40; F21Y 2105/10; F21Y 2105/18; F21Y 2113/00; F21Y 2113/10; F21Y 2113/17; F21Y 2113/20; F21L 4/005; F21L 4/027; F21L 4/085; F21L 4/08; F21L 4/00; F21L 4/045; F21L 4/02; F21L 4/022; F21L 4/025; F21L 4/04; F21L 13/00; F21L 14/02; F21L 2/00; F21V 23/0414; F21V 23/0428; F21V 23/0421; F21V 21/0965; F21V 15/01; F21V 21/0885; F21V 21/406; F21V 23/0407; F21V 23/06; F21V 33/0064; F21V 33/0084; F21V 5/04; F21V 14/025; F21V 23/04; F21V 31/005; F21V 14/045; F21V 21/084; F21V 23/003; F21V 3/00; F21V 5/006; F21V 13/045; F21V 14/065; F21V 21/08; F21V 23/0435; F21V 29/70; F21V 31/00; F21V 33/0076; F21V 33/008; F21V 7/0075; F21V 15/012; F21V 17/12; F21V 19/02;

(Continued)

(56) **References Cited**

U.S. PATENT DOCUMENTS

D394,515 S * 5/1998 Burns D26/46
D403,447 S * 12/1998 Parsons D26/37

(Continued)

FOREIGN PATENT DOCUMENTS

CN 201330447166 * 2/2014
CN 201430191971 * 12/2014

(Continued)

Primary Examiner — Marissa J Cash

Assistant Examiner — William B Melliar

(74) *Attorney, Agent, or Firm* — Dickinson Wright PLLC

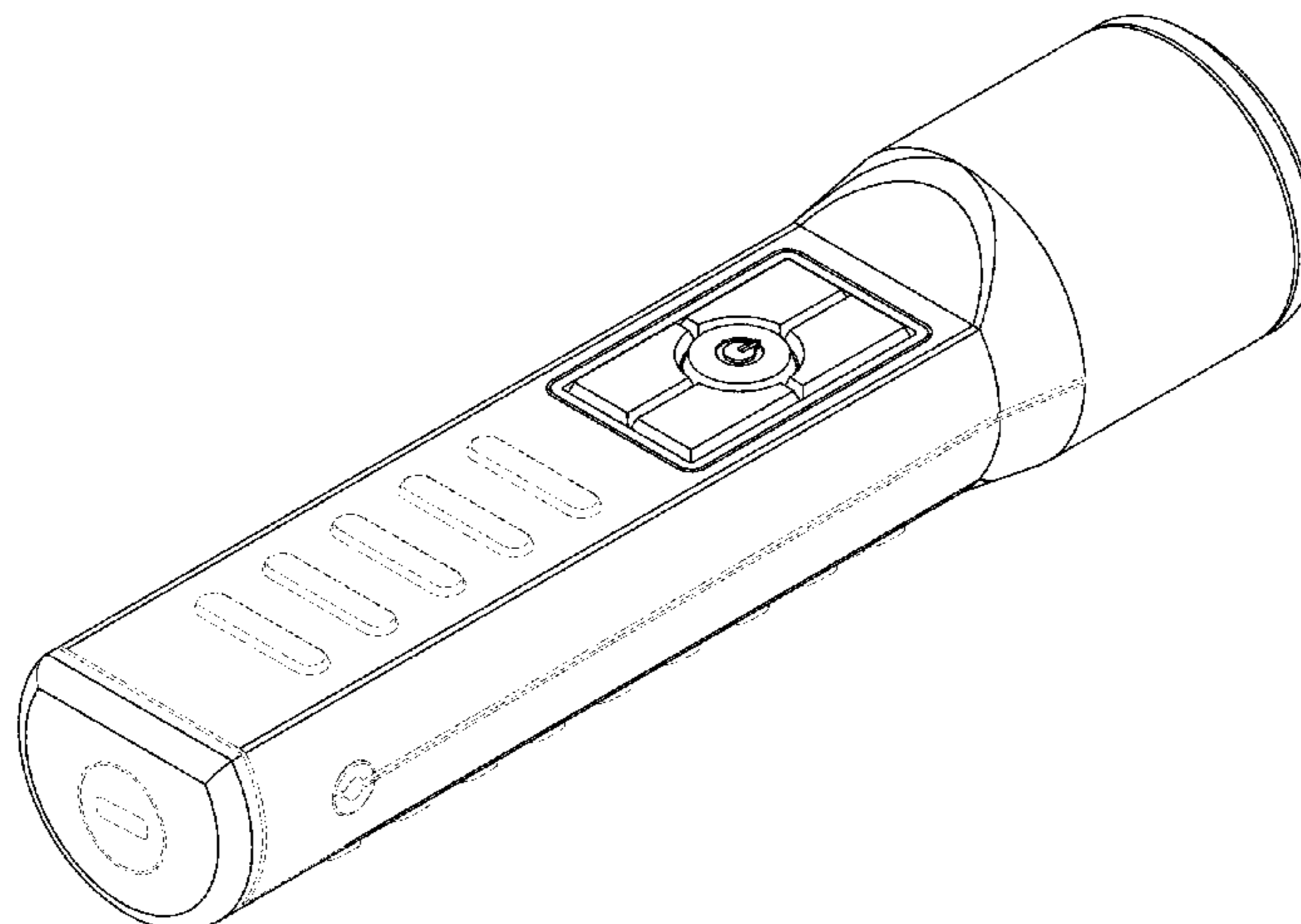
(57) **CLAIM**

The ornamental design for a torch, as shown and described.

DESCRIPTION

FIG. 1 is a perspective view of the torch;
FIG. 2 is a right side view thereof;
FIG. 3 is a top view thereof;
FIG. 4 is a left side view thereof;
FIG. 5 is a bottom view thereof;
FIG. 6 is a back view thereof;
FIG. 7 is a front view thereof;
FIG. 8 is a perspective view of an alternate embodiment of the torch;
FIG. 9 is a right side view thereof;
FIG. 10 is a top view thereof;
FIG. 11 is a left side view thereof;
FIG. 12 is a bottom view thereof;
FIG. 13 is a back view thereof; and,
FIG. 14 is a front view thereof.
Broken lines illustrate portions of the torch that form no part of the claimed design.

1 Claim, 12 Drawing Sheets



(58) **Field of Classification Search**

CPC .. F21V 21/0816; F21V 21/0925; F21V 21/30;
F21V 23/0464; F21V 23/0471; F21V
7/06; F21V 17/10; F21V 21/096; F21V
21/145; F21V 23/023; F21V 23/0442;
F21V 29/507; F21V 33/0068; F21V
9/083; F21V 9/20; F21V 11/08; F21V
13/14; F21V 14/04; F21V 14/06; F21V
14/085; F21V 15/00; F21V 17/002; F21V
17/02; F21V 17/06; F21V 17/105; F21V
17/107; F21V 19/001; F21V 19/047;
F21V 21/00; F21V 21/002; F21V 21/06;
F21V 21/14; F21V 21/22; F21V 21/26;
F21V 21/32; F21V 23/001; F21V 23/002;
F21V 23/005; F21V 23/02; F21V 23/045;
F21V 23/0492; F21V 25/04; F21V 29/15;
F21V 29/503; F21V 29/508; F21V
29/713; F21V 29/763; F21V 29/767;
F21V 29/89; F21V 29/90; F21V 33/00;
F21V 33/0004; F21V 33/0036; F21V
33/0052; F21V 3/02; F21V 5/00; F21V
5/008; F21V 5/046; F21V 5/048; F21V
5/08; F21V 7/00; F21V 7/0008; F21V
7/0083; F21V 7/0091; F21V 7/04; F21V
7/041; F21V 7/22; F21V 7/24; F41G
1/35; F41G 11/003; F41G 1/34; F41G

1/345; F41G 11/001; F41G 1/36; F41G
3/2655

See application file for complete search history.

(56)

References Cited

U.S. PATENT DOCUMENTS

D512,168 S * 11/2005 Suzuki D26/37
D546,988 S * 7/2007 Shiu D26/37
D551,366 S * 9/2007 Galli D26/37
D577,139 S * 9/2008 Brown D13/108
D641,511 S * 7/2011 Wang D26/46
D687,990 S * 8/2013 Yeh D26/46
D687,993 S * 8/2013 Yeh D26/46
D689,228 S * 9/2013 Yeh D26/46
D707,869 S * 6/2014 Wu D26/46
D726,944 S * 4/2015 Wu D26/46
D855,850 S * 8/2019 Brown D26/46
D863,635 S * 10/2019 Soo D26/46
D863,636 S * 10/2019 Soo D26/46
D935,663 S * 11/2021 Xiao D26/49
2012/0147595 A1 * 6/2012 Wang F21L 4/08
362/183

FOREIGN PATENT DOCUMENTS

CN 202030150249.7 * 7/2020
CN 202030256530.9 * 9/2020
CN 202030283561.3 * 9/2020

* cited by examiner

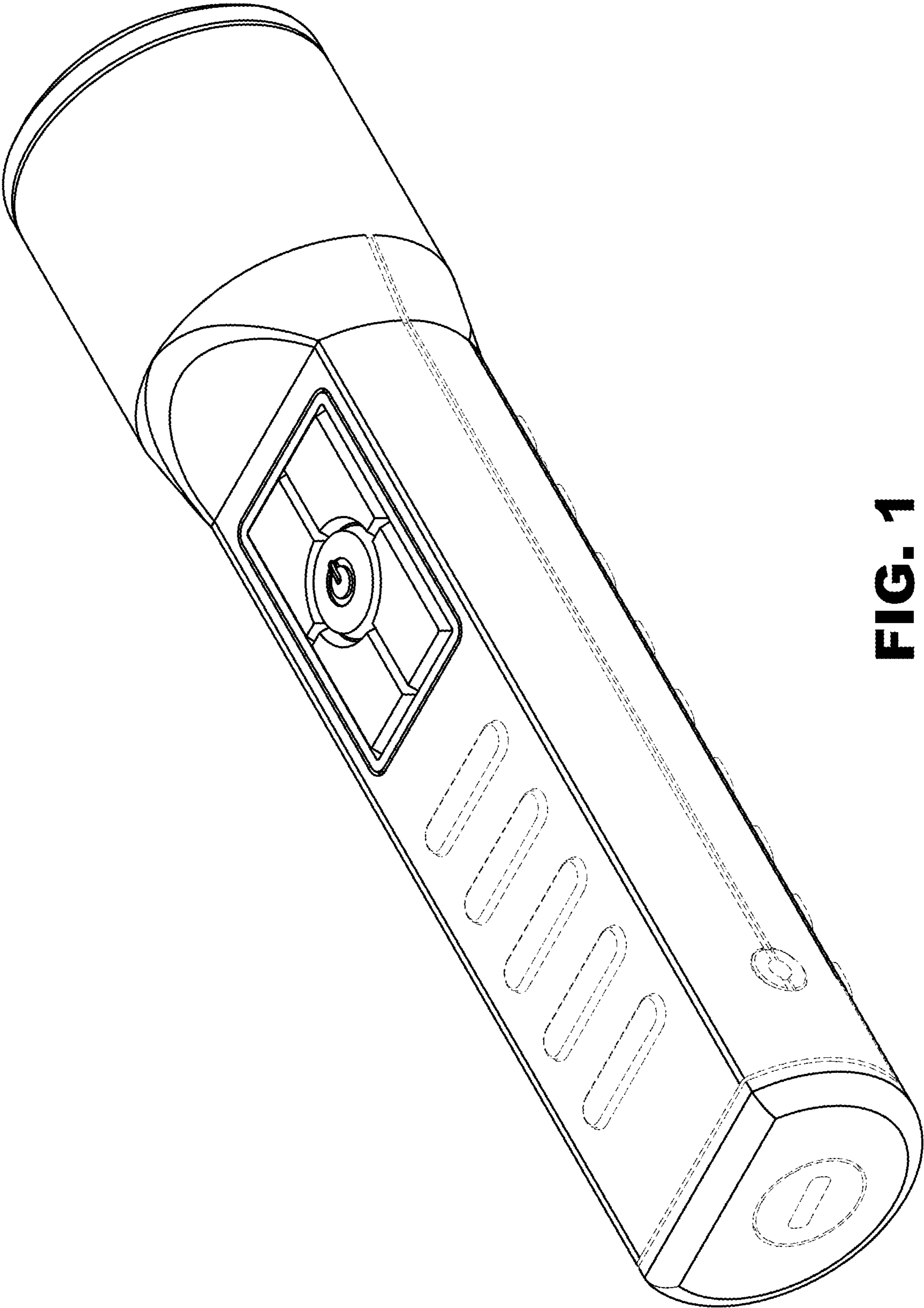


FIG. 1

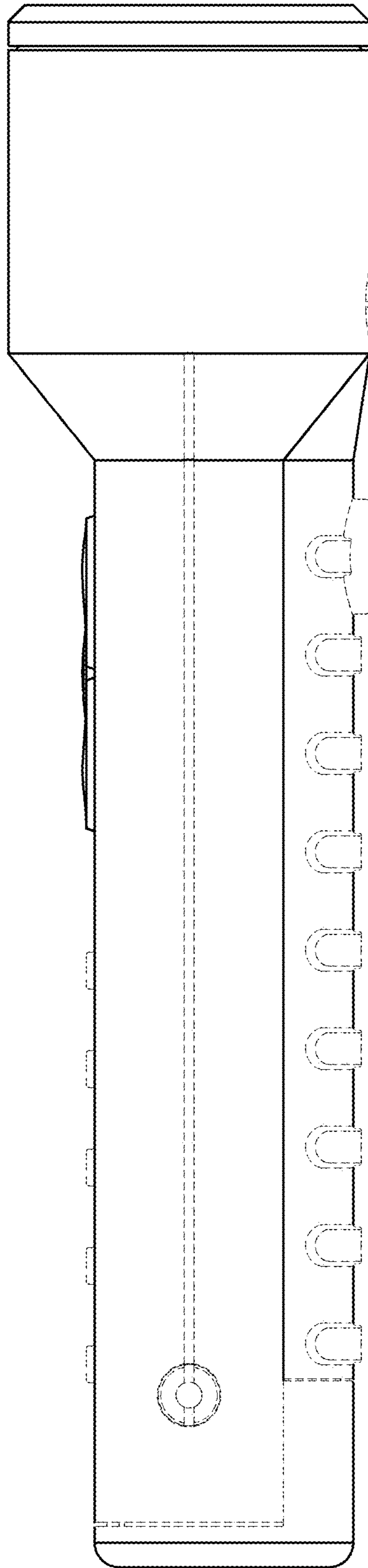


FIG. 2

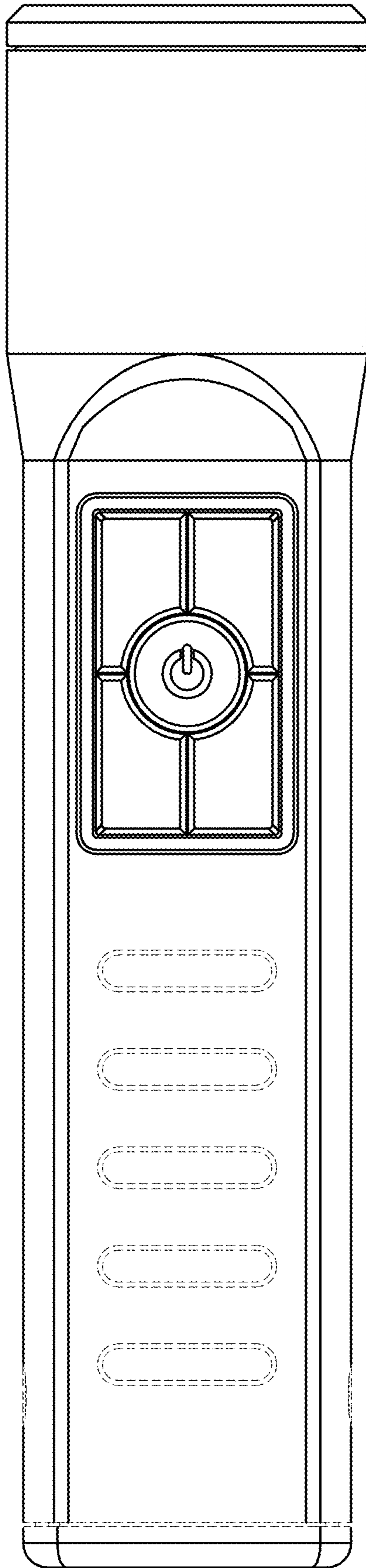


FIG. 3

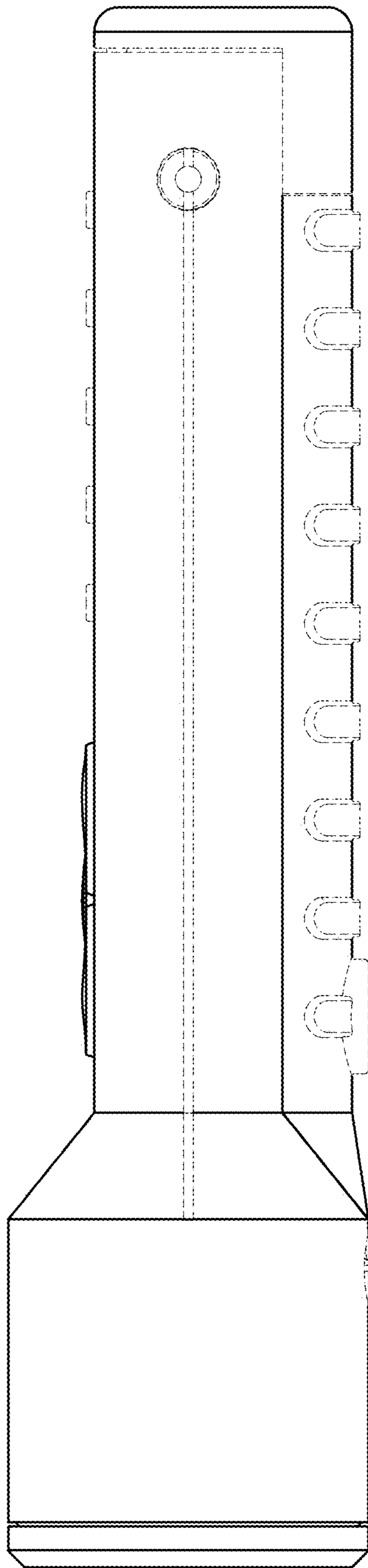


FIG. 4

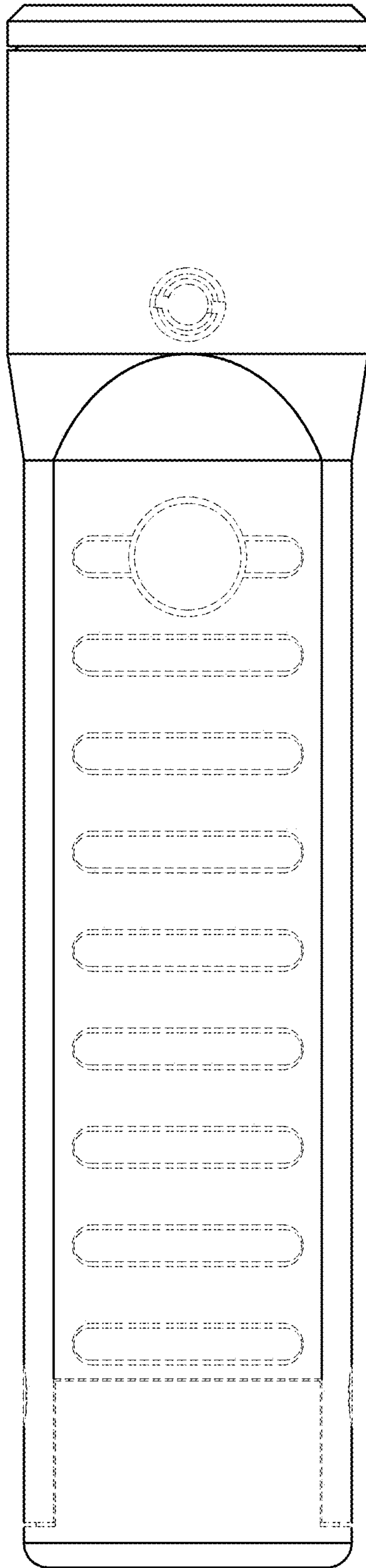


FIG. 5

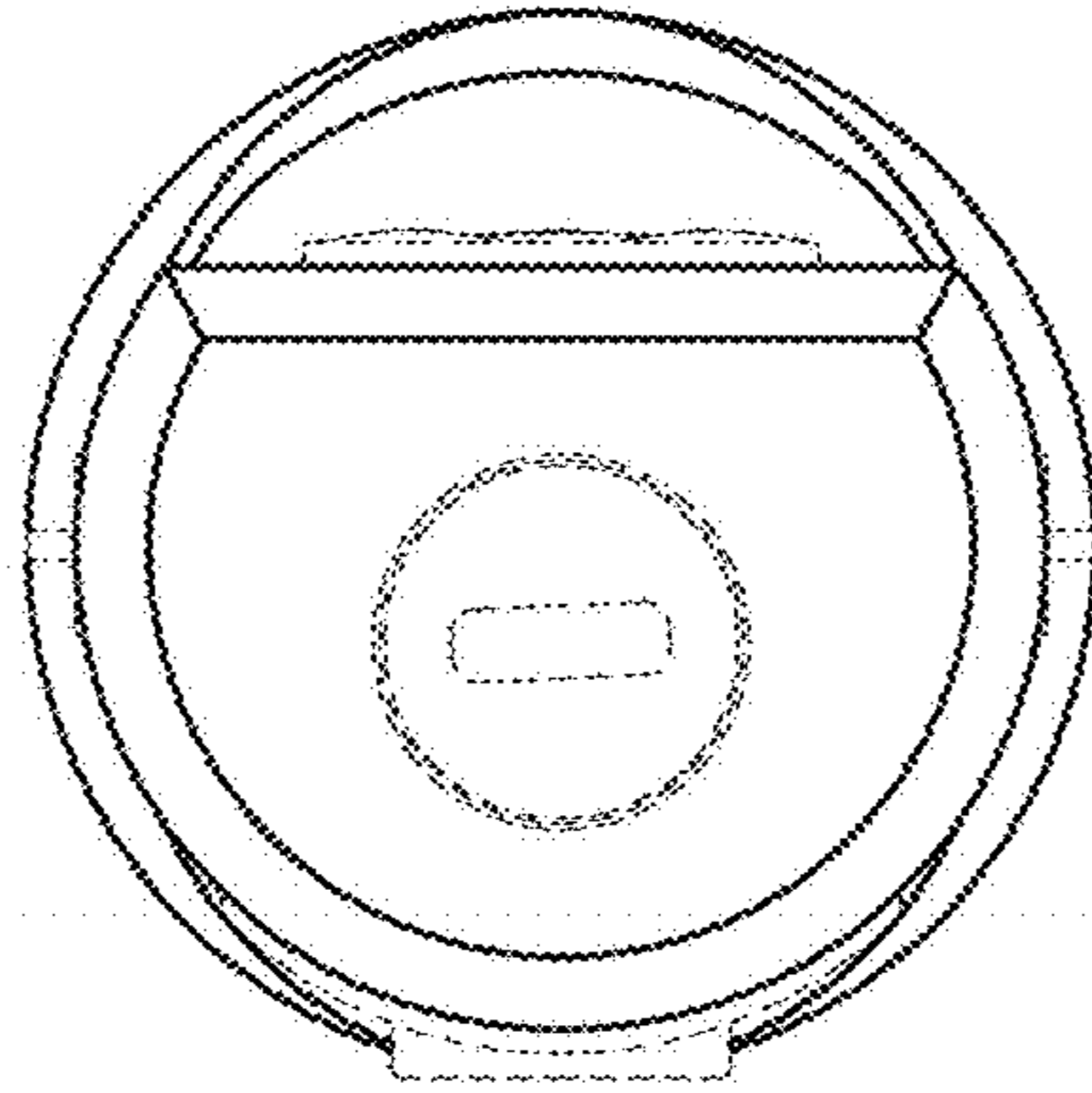


FIG. 6

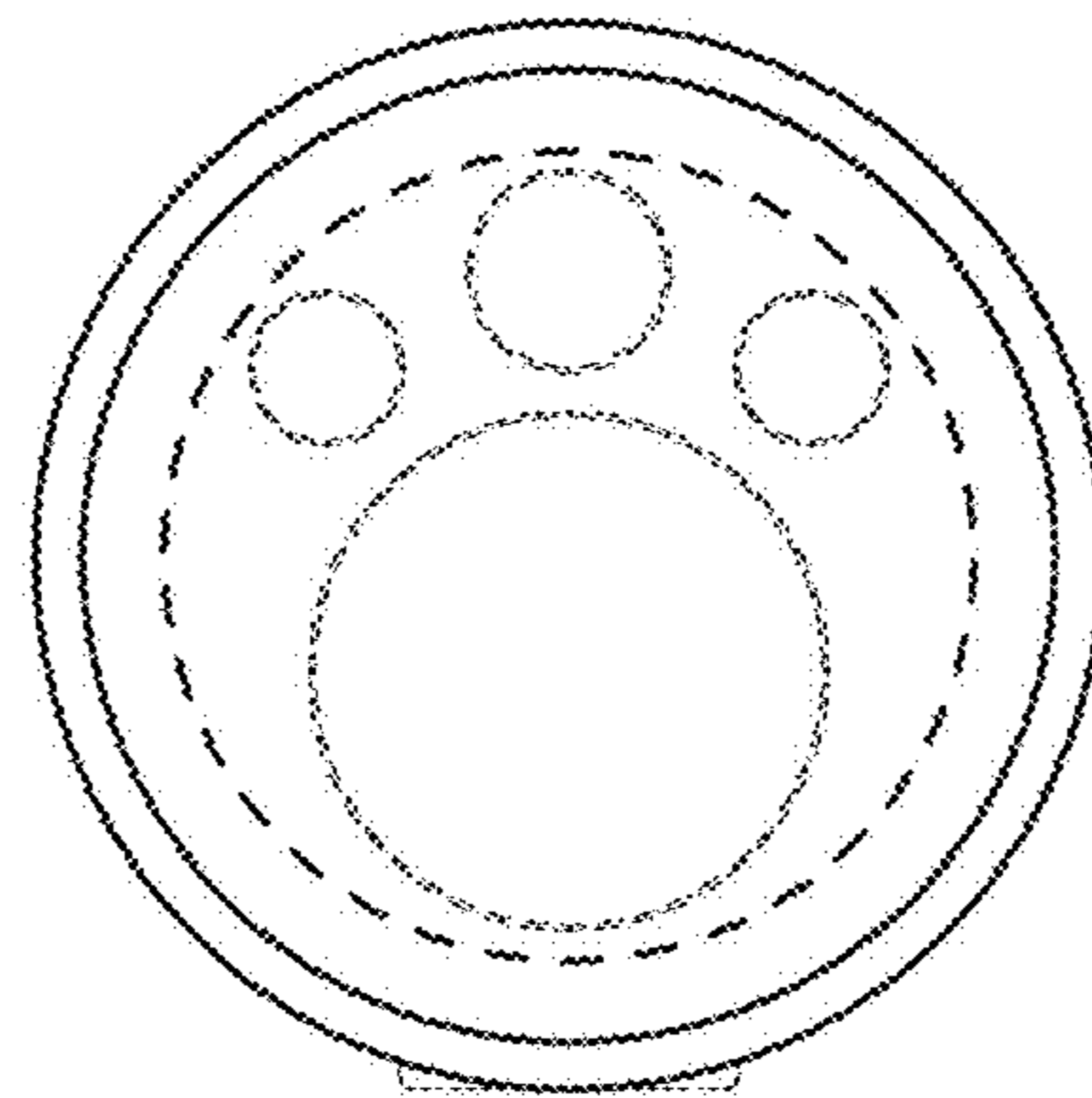


FIG. 7

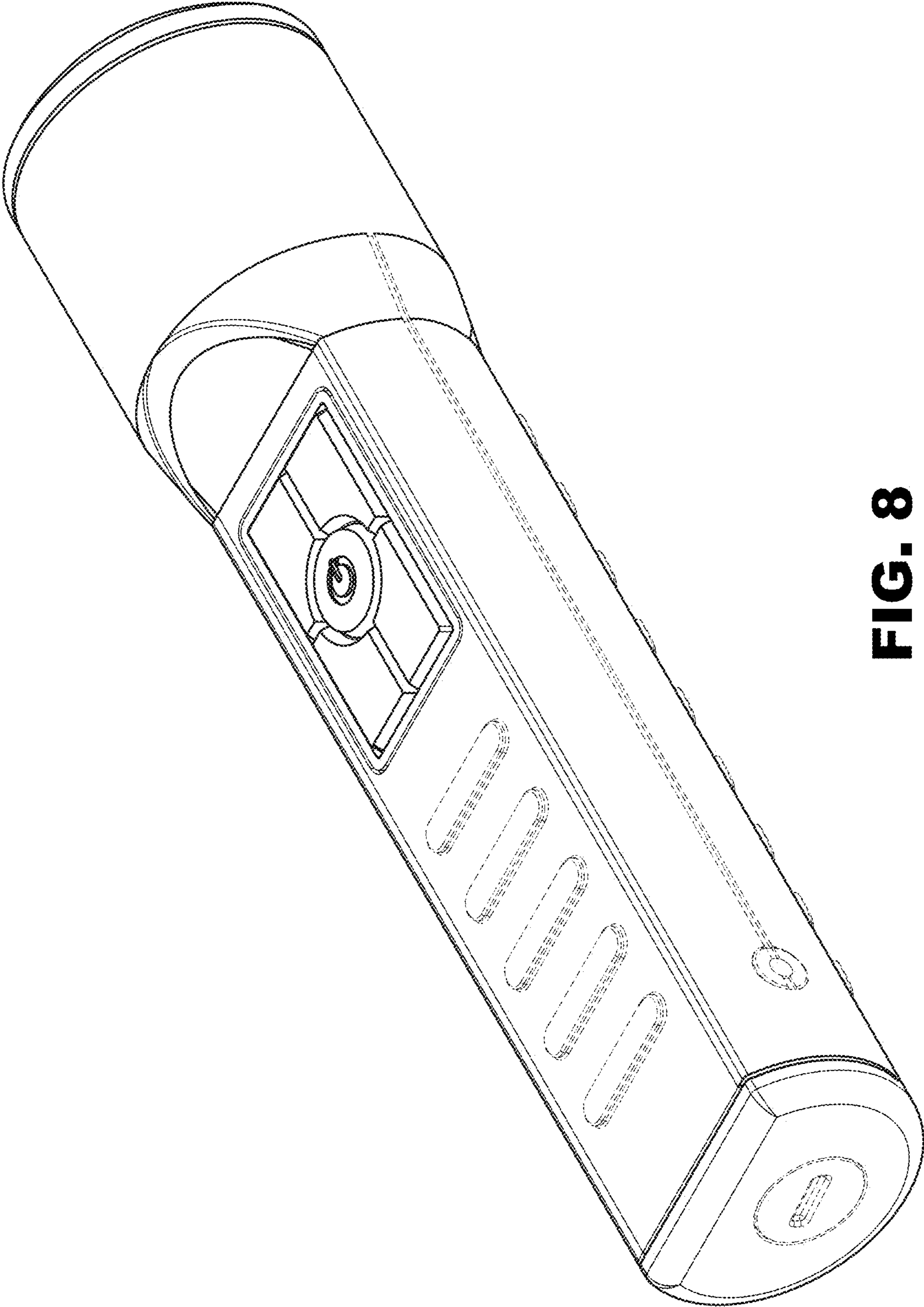


FIG. 8

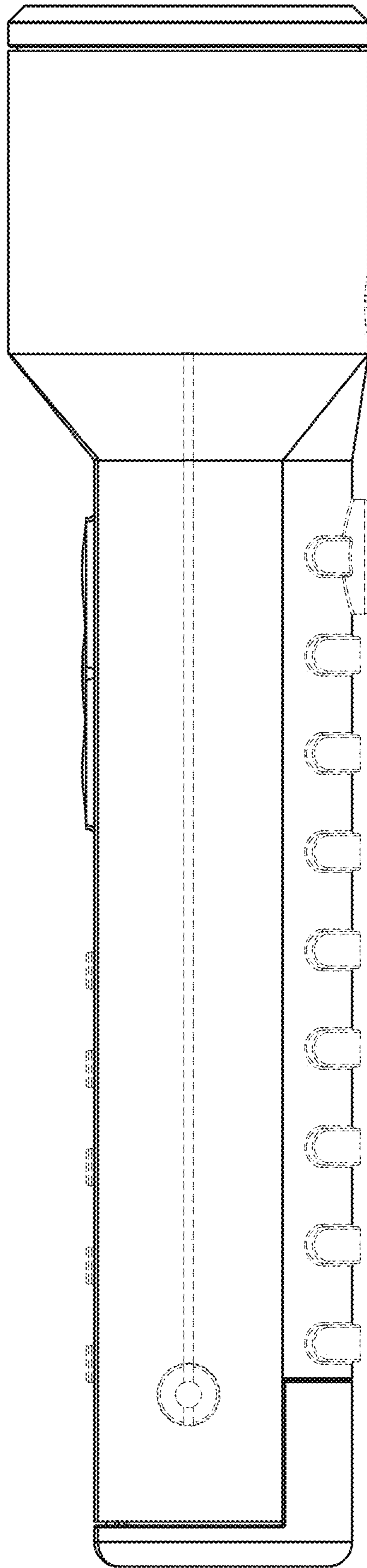


FIG. 9

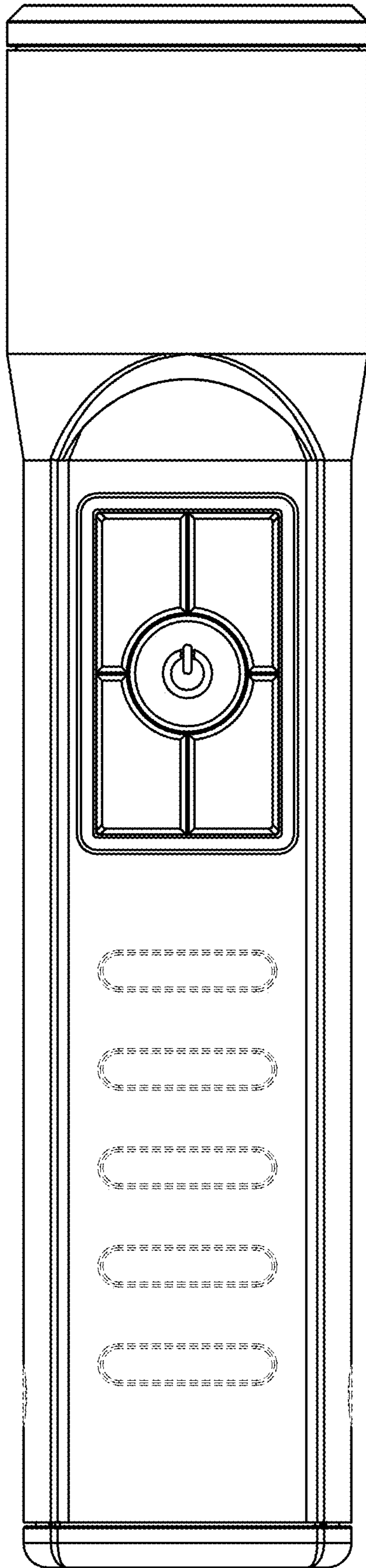


FIG. 10

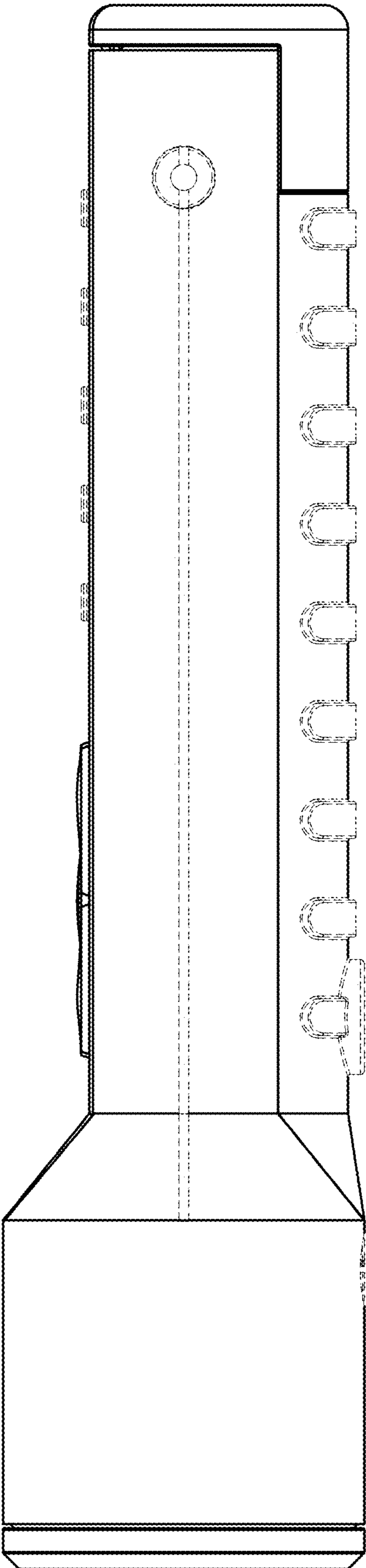


FIG. 11

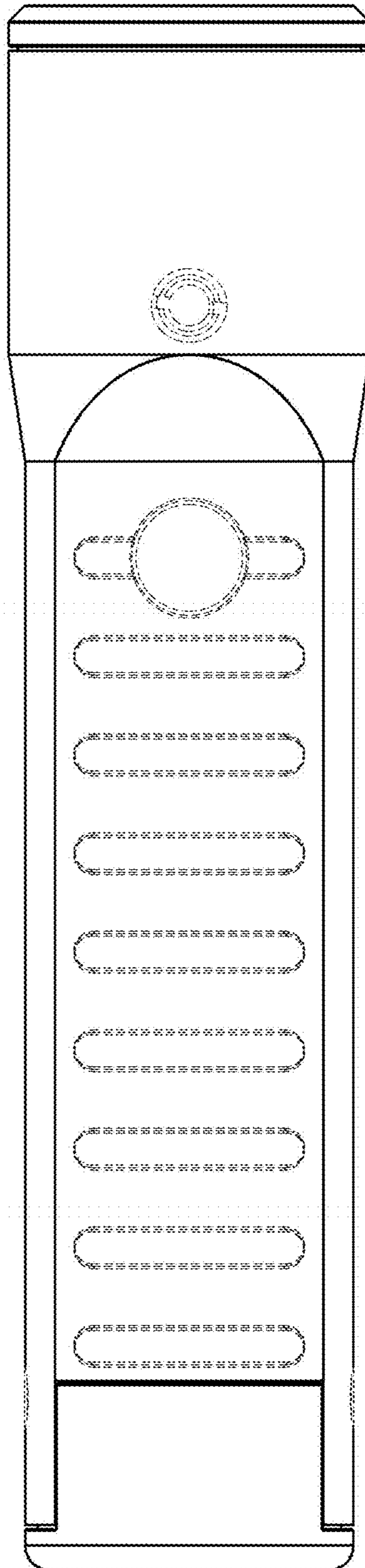


FIG. 12

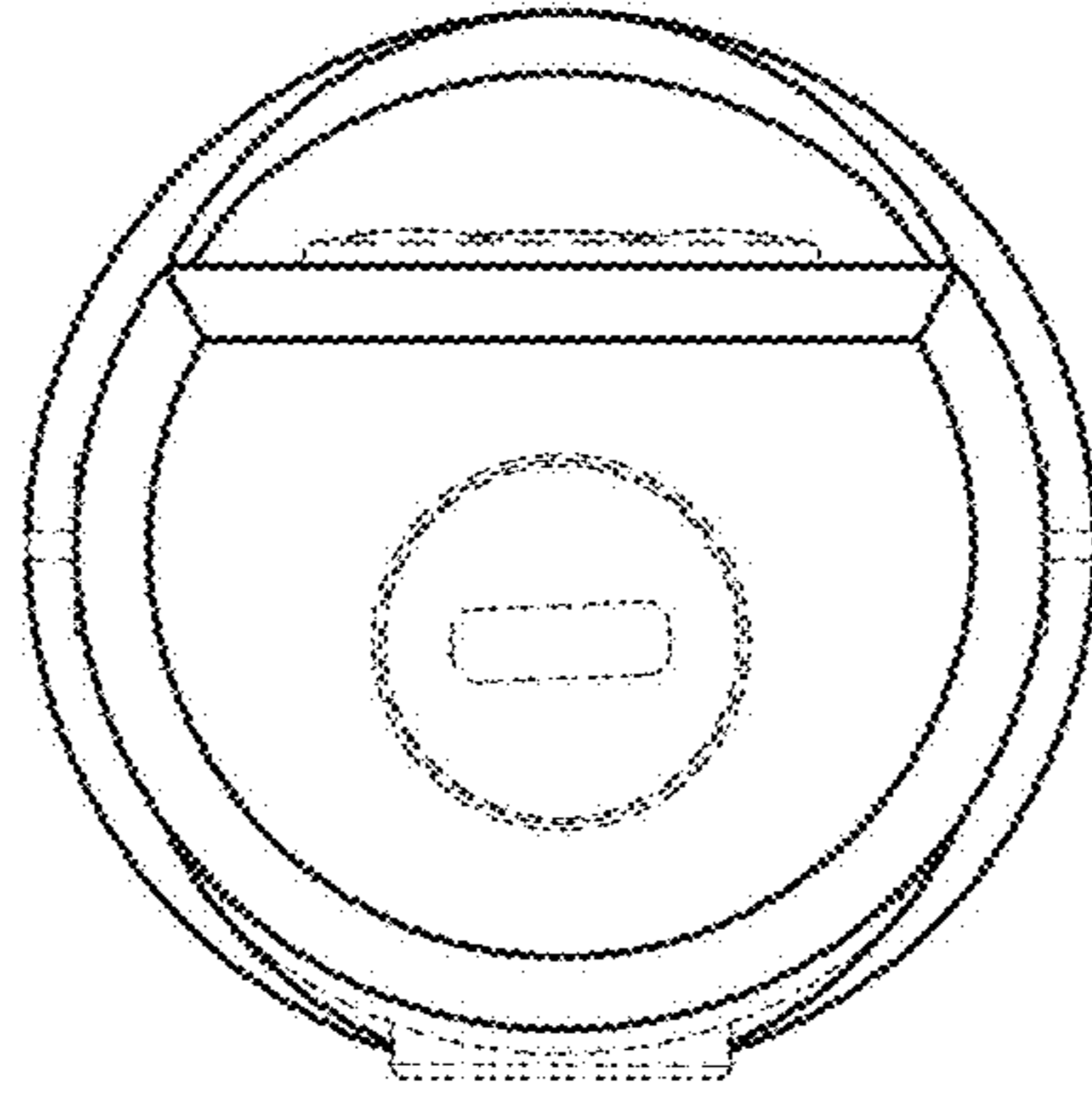


FIG. 13

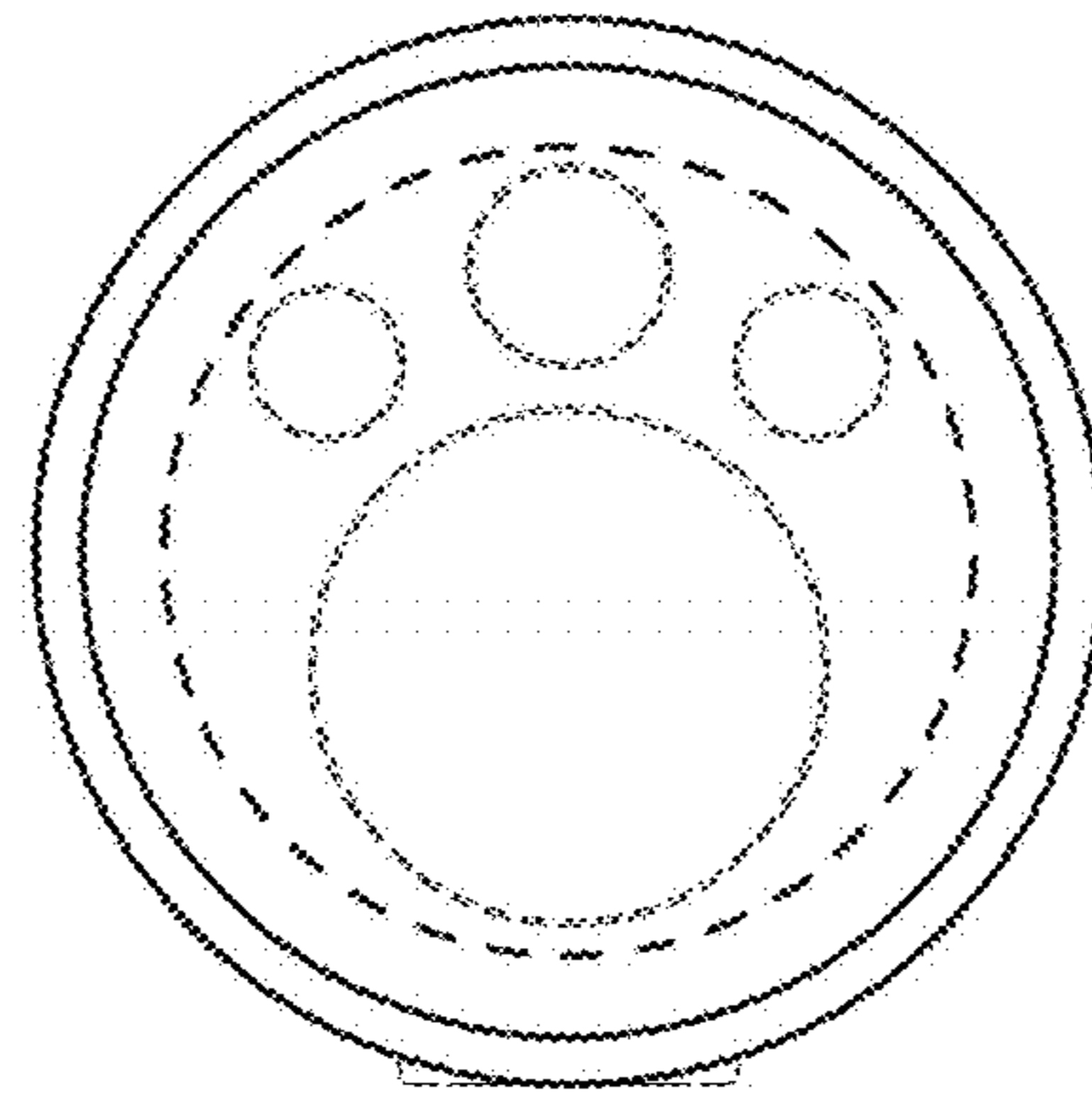


FIG. 14