



US00D969371S

(12) **United States Design Patent** (10) **Patent No.:** **US D969,371 S**  
**Zhan** (45) **Date of Patent:** **\*\* Nov. 8, 2022**

(54) **HEAD TORCH**

(71) Applicant: **Lingjun Zhan**, Jiangxi Province (CN)

(72) Inventor: **Lingjun Zhan**, Jiangxi Province (CN)

(\*\*) Term: **15 Years**

(21) Appl. No.: **29/842,113**

(22) Filed: **Jun. 10, 2022**

(30) **Foreign Application Priority Data**

Mar. 8, 2022 (CN) ..... 202230114947.0

(51) **LOC (13) Cl.** ..... **26-02**

(52) **U.S. Cl.**  
USPC ..... **D26/39**

(58) **Field of Classification Search**  
USPC ..... D2/865, 866, 869, 871, 874, 875, 877,  
D2/881, 883, 884, 891, 894; D26/37, 38,  
D26/39  
CPC .. A42B 1/00; A42B 1/006; A42B 1/04; A42B  
1/041; A42B 1/045; A42B 1/08; A42B  
1/22; A42B 1/241; A42B 1/245; A42B  
3/00  
See application file for complete search history.

(56) **References Cited**

**U.S. PATENT DOCUMENTS**

D677,816 S *	3/2013	Petzl	.....	D26/39
D752,791 S *	3/2016	Ferguson	.....	D26/39
D838,022 S *	1/2019	Leegate	.....	D26/39
D861,211 S	9/2019	Windom et al.		
D888,304 S	6/2020	Besley et al.		
D893,783 S *	8/2020	Khubani	.....	D26/39
10,955,119 B2 *	3/2021	Cheng	.....	F21V 23/0414
D946,796 S *	3/2022	Bilbao, Jr.	.....	D26/39
D959,036 S *	7/2022	Westling	.....	D26/39
D961,816 S *	8/2022	Oyepaju	.....	D26/39
D961,889 *	8/2022	Chen	.....	D2/875
2018/0132555 A1 *	5/2018	Gonzalez	.....	A45C 13/30
2019/0390844 A1 *	12/2019	Sedlacek	.....	F21V 21/084

**OTHER PUBLICATIONS**

Amazon, Head Torch—LED Headlamp, 2 Pack Rechargeable Flashlight for Adults, 230° Wide Beam Headlight, Motion Sensor Head Lamp, Adjustable Headband Outdoor Waterproof Head Light for Running, Camping, Hiking (headlamp-2), Oct. 26, 20121 (Year: 2021).\*

\* cited by examiner

*Primary Examiner* — Keli L Hill

*Assistant Examiner* — Harold E Blackwell, II

(74) *Attorney, Agent, or Firm* — ScienBiziP, P.C.

(57) **CLAIM**

The ornamental design for a head torch, as shown and described.

**DESCRIPTION**

FIG. 1 is a front, left and bottom perspective view of a head torch, showing my design.

FIG. 2 is a rear, right and top perspective view thereof.

FIG. 3 is a front elevation view thereof.

FIG. 4 is a rear elevation view thereof.

FIG. 5 is a left side elevation view thereof.

FIG. 6 is a right side elevation view thereof.

FIG. 7 is a top plan view thereof.

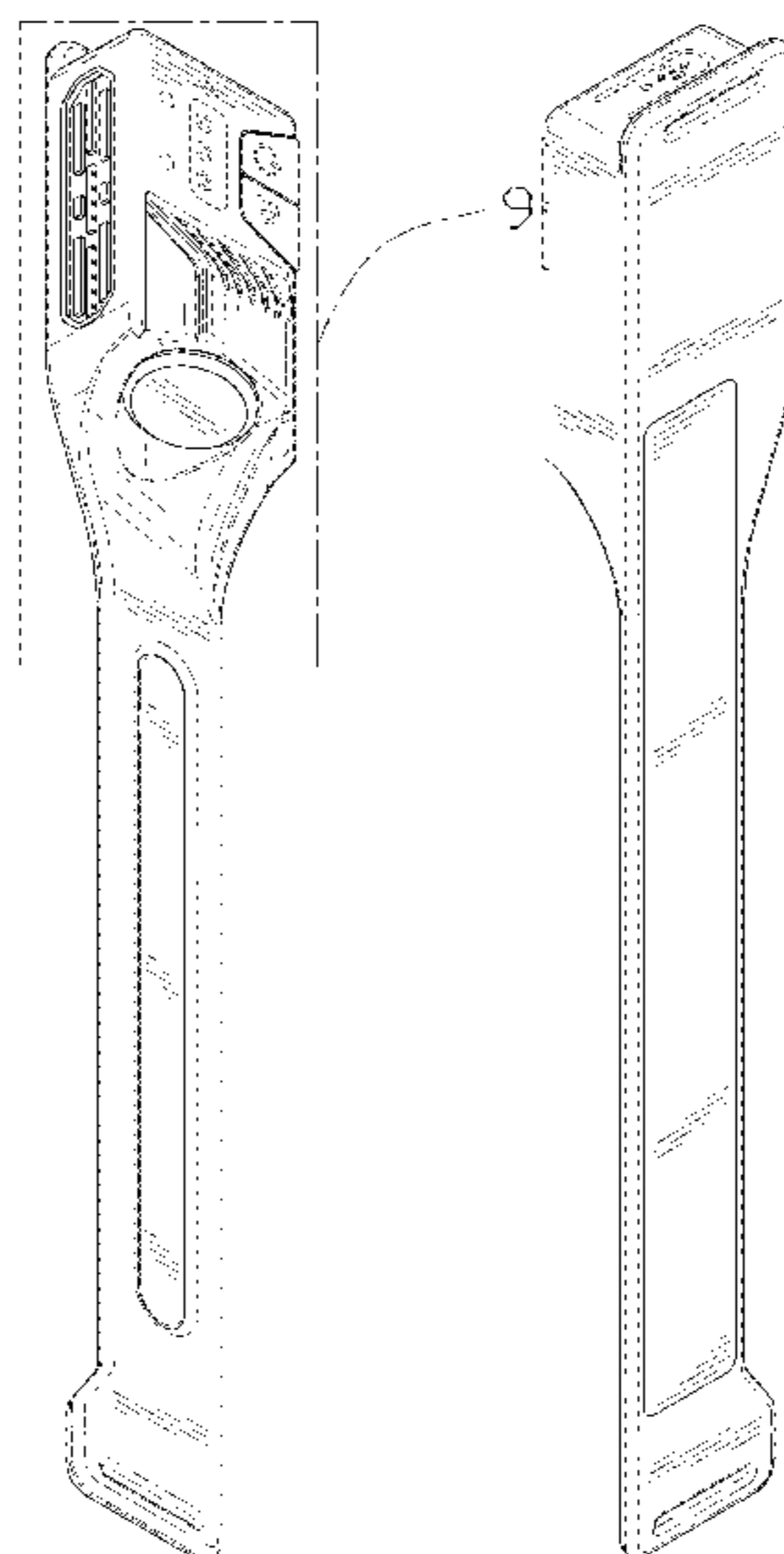
FIG. 8 is a bottom plan view thereof; and,

FIG. 9 is a partial enlarged view of an area labeled 9 in FIG. 1.

The broken lines shown in the drawings are included for the purpose of illustrating portions of the head torch that form no part of the claimed design.

The dot-dash line shown in FIG. 1 demarcates claimed portions of the head torch for enlargement purposes as shown in FIG. 9. The dot-dash line itself forms no part of the claimed design.

**1 Claim, 9 Drawing Sheets**



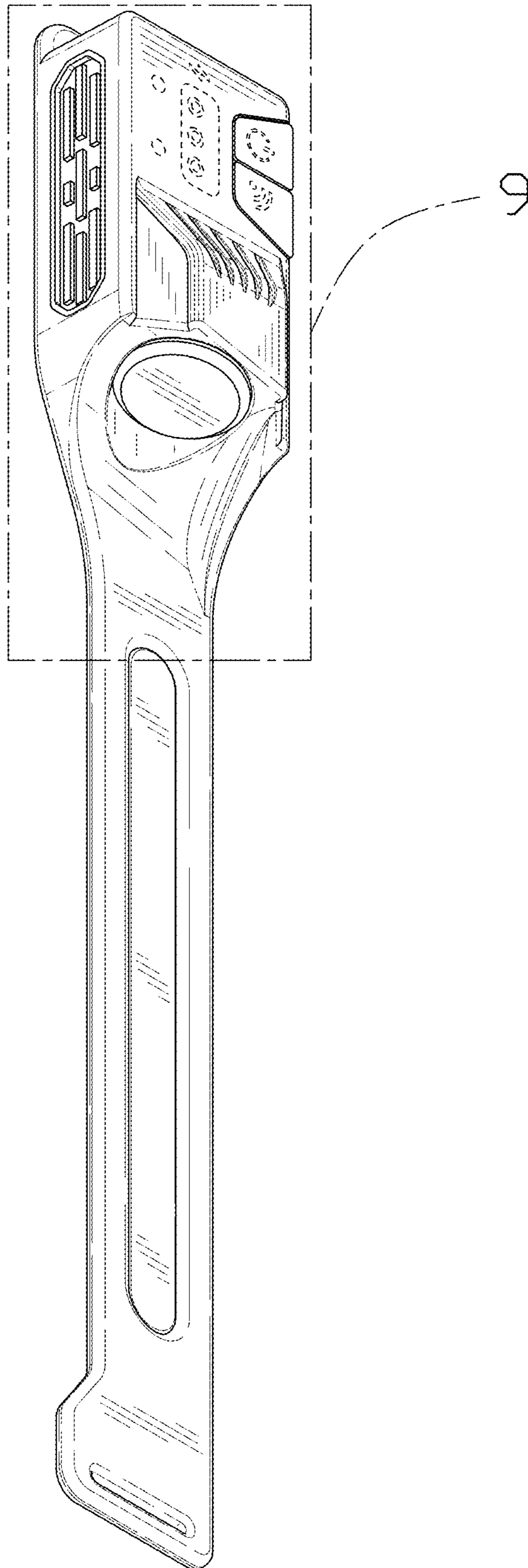


FIG. 1

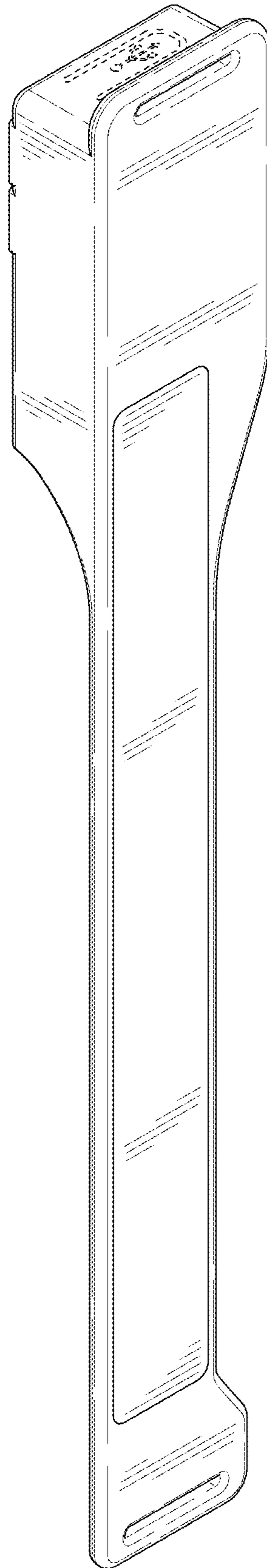


FIG. 2

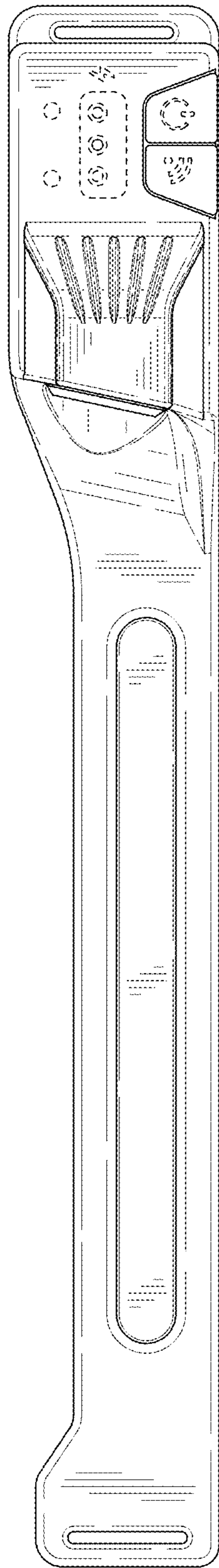


FIG. 3

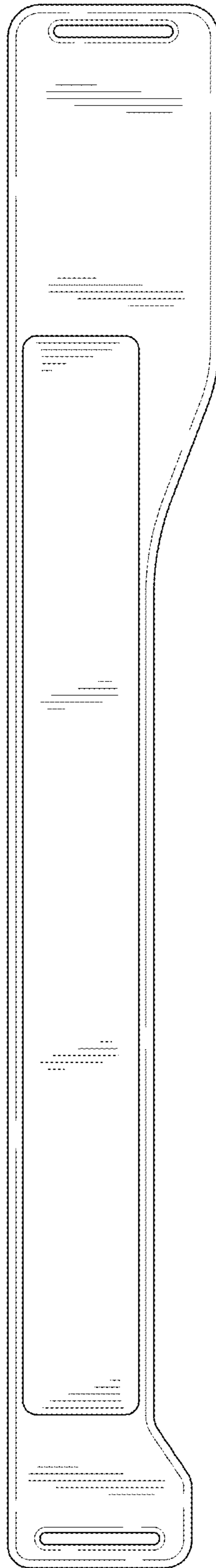


FIG. 4

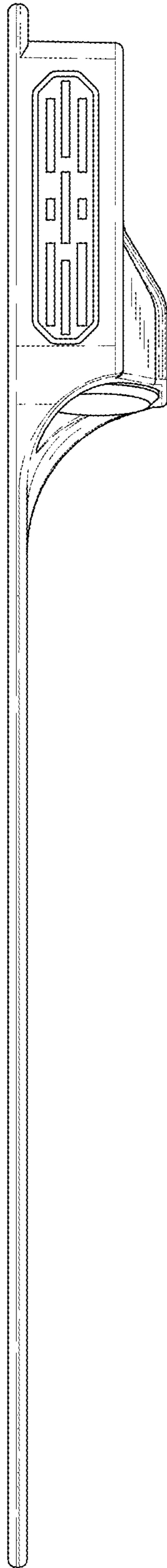


FIG. 5

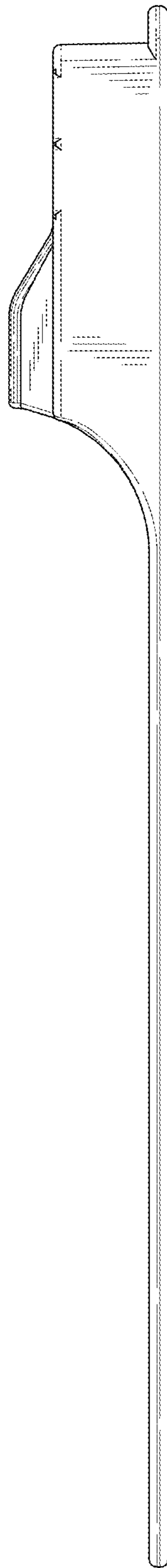


FIG. 6

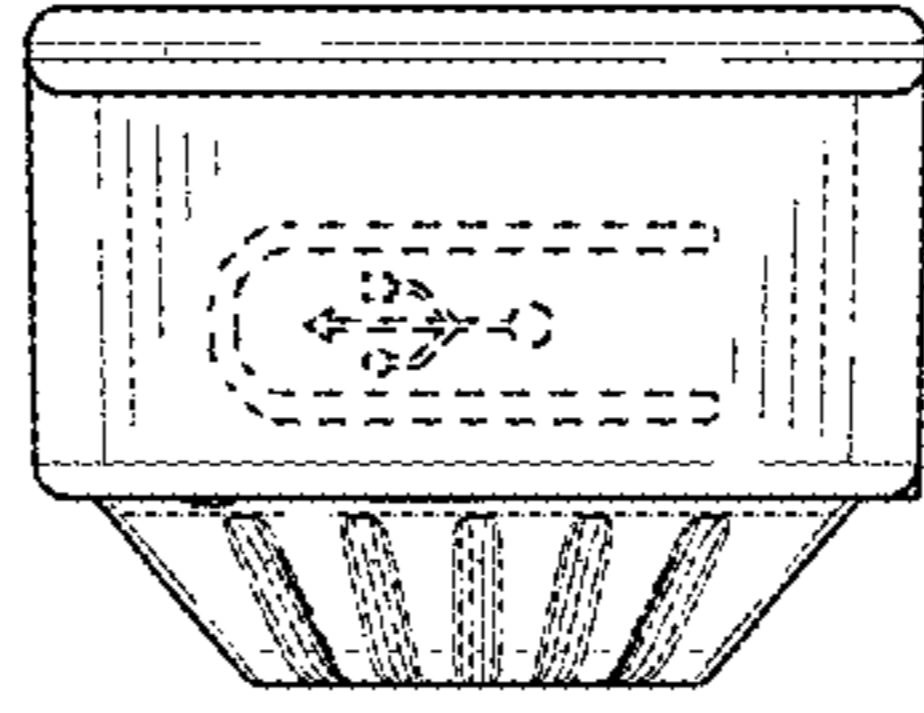


FIG. 7



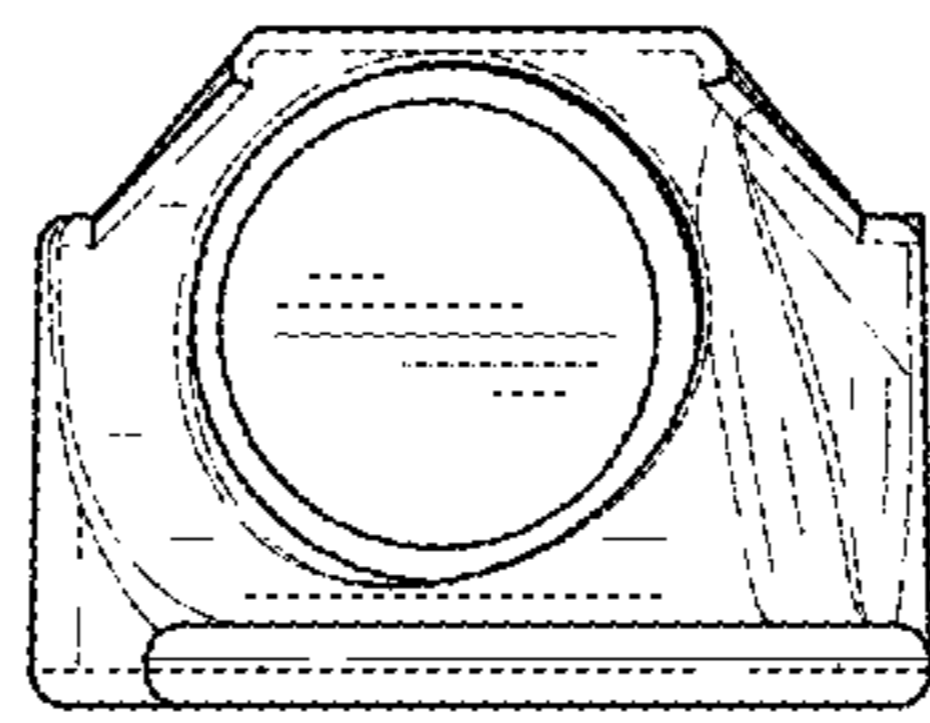


FIG. 8

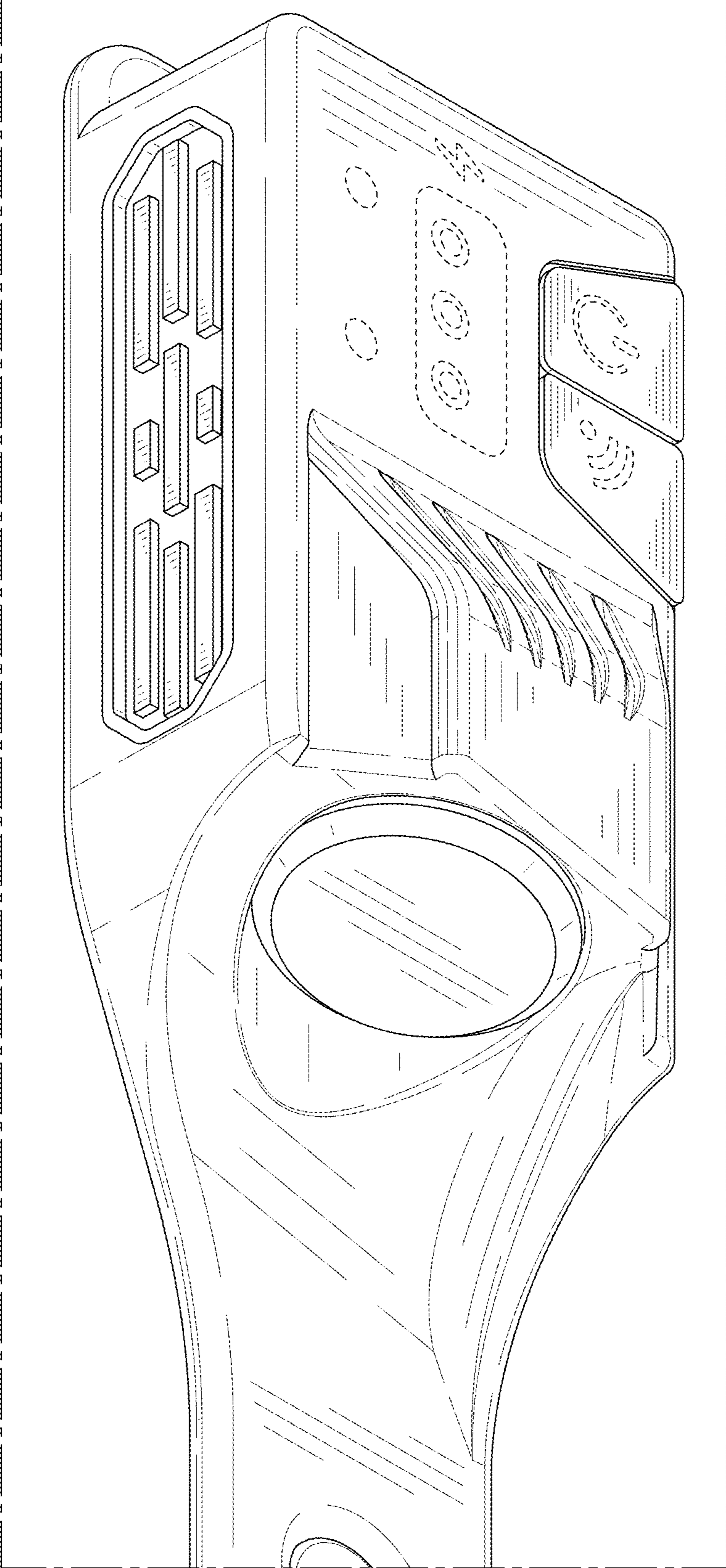


FIG. 9